



US00D811969S

(12) **United States Design Patent**
Sethapun et al.

(10) **Patent No.:** **US D811,969 S**
(45) **Date of Patent:** **** Mar. 6, 2018**

- (54) **SWITCH FOR AN AIRCRAFT INTERIOR**
- (71) Applicant: **Gulfstream Aerospace Corporation**, Savannah, GA (US)
- (72) Inventors: **Kevin Sethapun**, Savannah, GA (US); **Andrew Fulford**, Savannah, GA (US); **Aram Kasparian**, Savannah, GA (US)
- (73) Assignee: **Gulfstream Aerospace Corporation**, Savannah, GA (US)

- D680,054 S * 4/2013 Richardson D12/192
- D702,169 S * 4/2014 Bachorski D12/192
- D705,146 S * 5/2014 Takagi D12/192
- D721,995 S * 2/2015 Johansson D12/192
- D727,814 S * 4/2015 Paulke D12/192
- D746,747 S * 1/2016 Shapiro D12/192

* cited by examiner

Primary Examiner — Katrina A Betton

(74) *Attorney, Agent, or Firm* — LKGlobal | Lorenz & Kopf, LLP

(**) Term: **15 Years**

(21) Appl. No.: **29/571,871**

(22) Filed: **Jul. 22, 2016**

Related U.S. Application Data

(62) Division of application No. 29/506,137, filed on Oct. 13, 2014, now Pat. No. Des. 764,990.

(51) **LOC (11) Cl.** **12-16**

(52) **U.S. Cl.**
USPC **D12/192**

(58) **Field of Classification Search**
USPC D12/192, 415, 110, 114; D15/17, 28; D10/46, 98, 102-103, 122-127
CPC G08G 1/096883; G01C 21/16; G01C 21/3688; G01C 21/30
See application file for complete search history.

(56) **References Cited**

U.S. PATENT DOCUMENTS

- D654,415 S * 2/2012 Mizuno D12/192
- D656,440 S * 3/2012 Klein D12/192

(57) **CLAIM**

The ornamental design for a switch for an aircraft interior, as shown and described.

DESCRIPTION

FIG. 1 is a front perspective view of a switch for an aircraft interior;

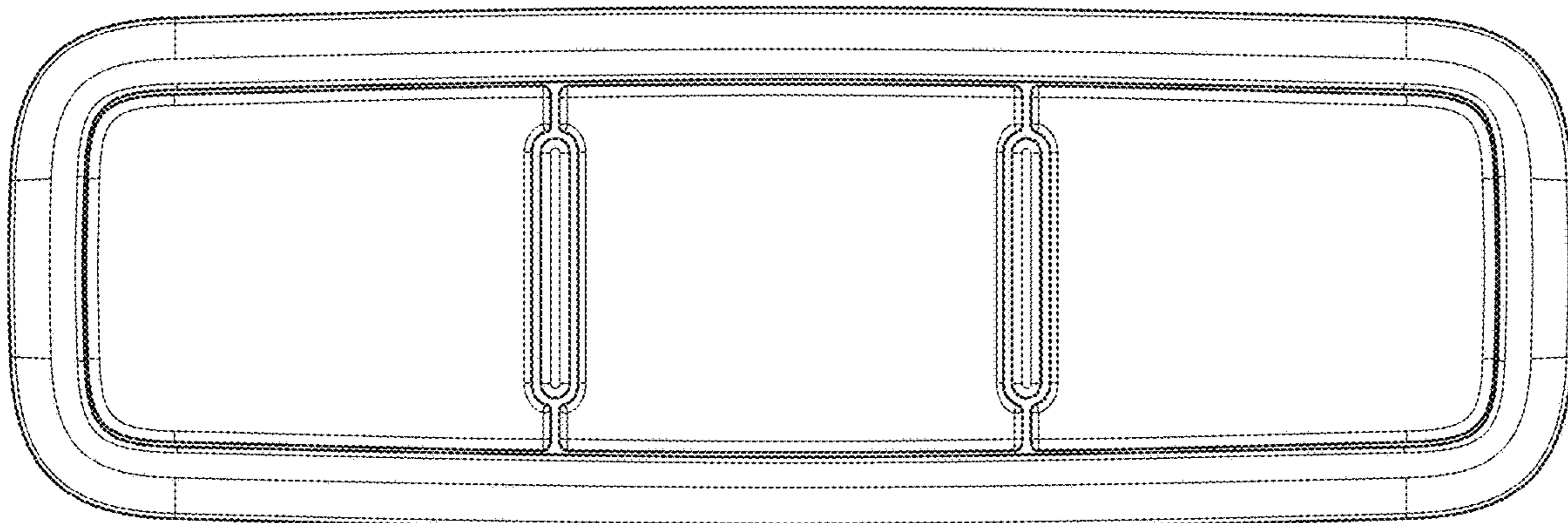
FIG. 2 is a front view of the switch for an aircraft interior of FIG. 1, the back view is not illustrated and forms no part of the claimed design;

FIG. 3 is a bottom view of the switch for an aircraft interior of FIG. 1, the top view is identical to the bottom view and is not illustrated; and,

FIG. 4 is a first side view of the switch for an aircraft interior of FIG. 1, the second side view is identical to the first side view and is not illustrated.

The broken lines illustrate portions that form no part of the claimed design.

1 Claim, 2 Drawing Sheets



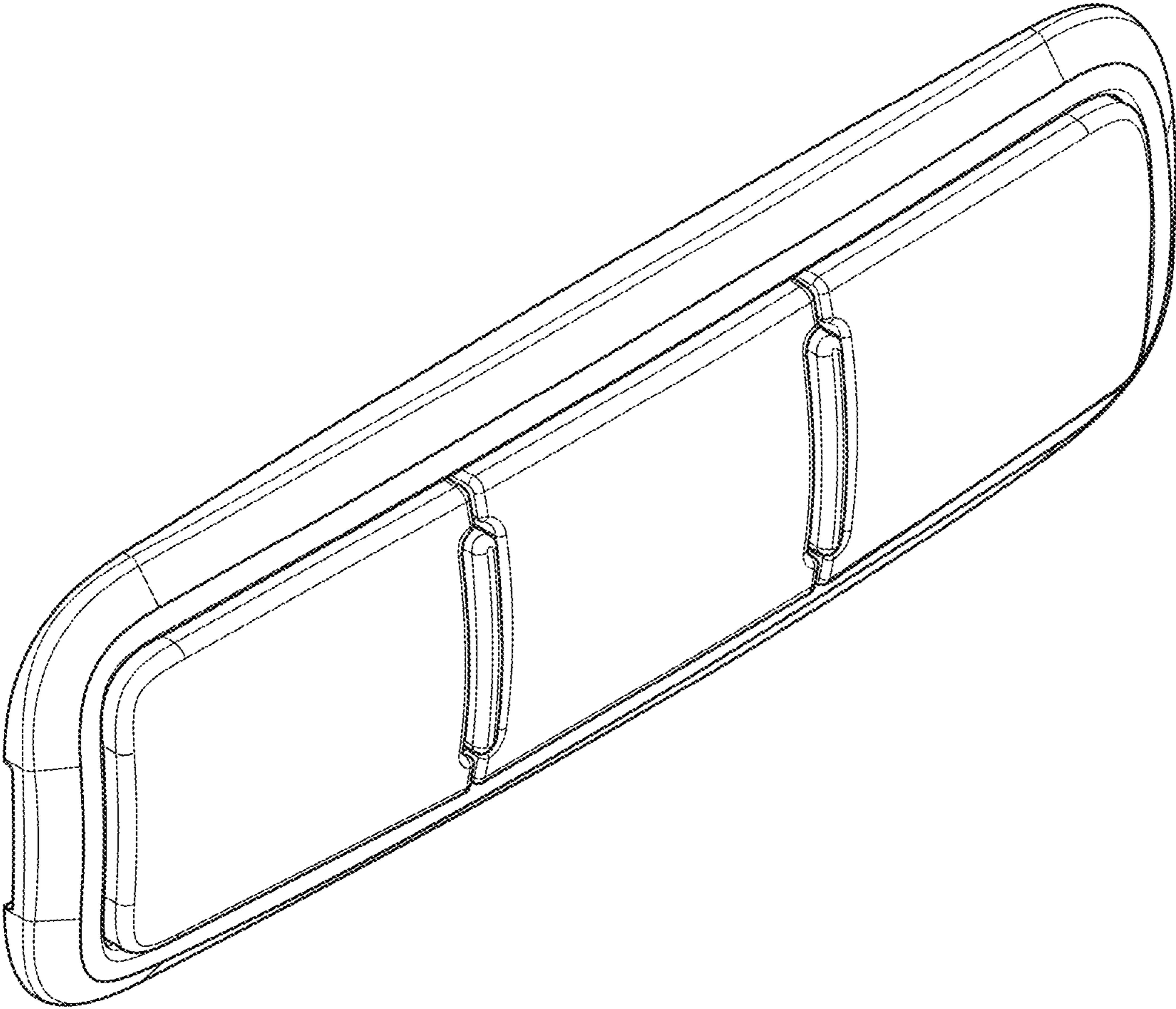


FIG. 1

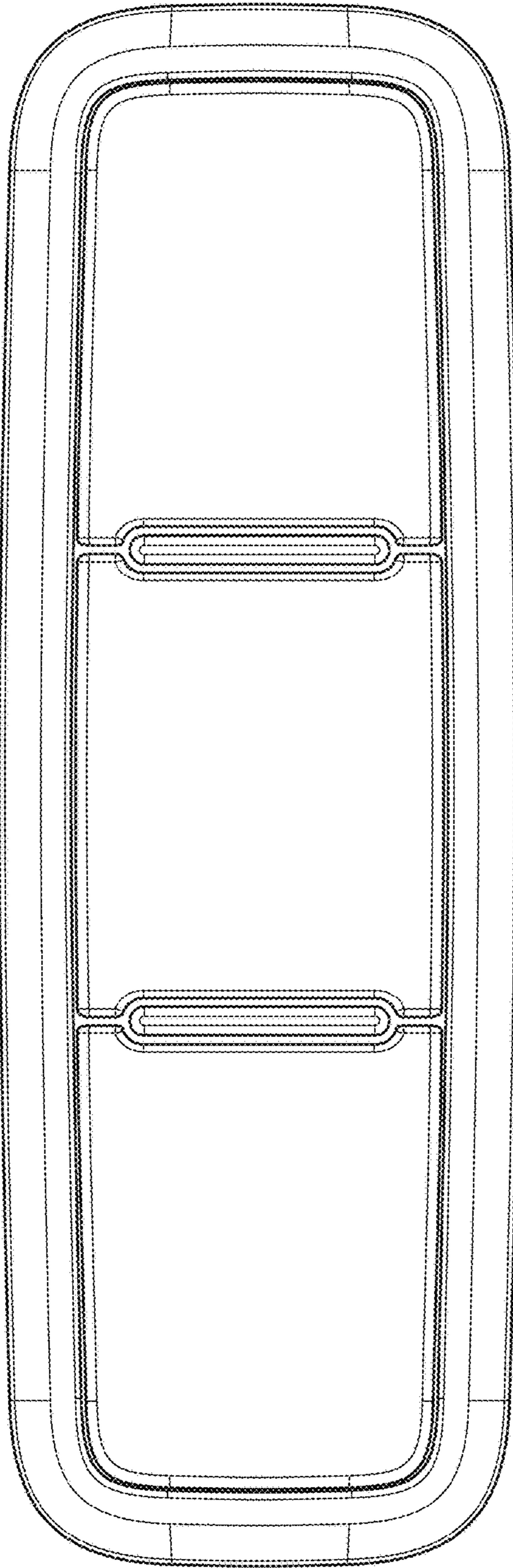


FIG. 2

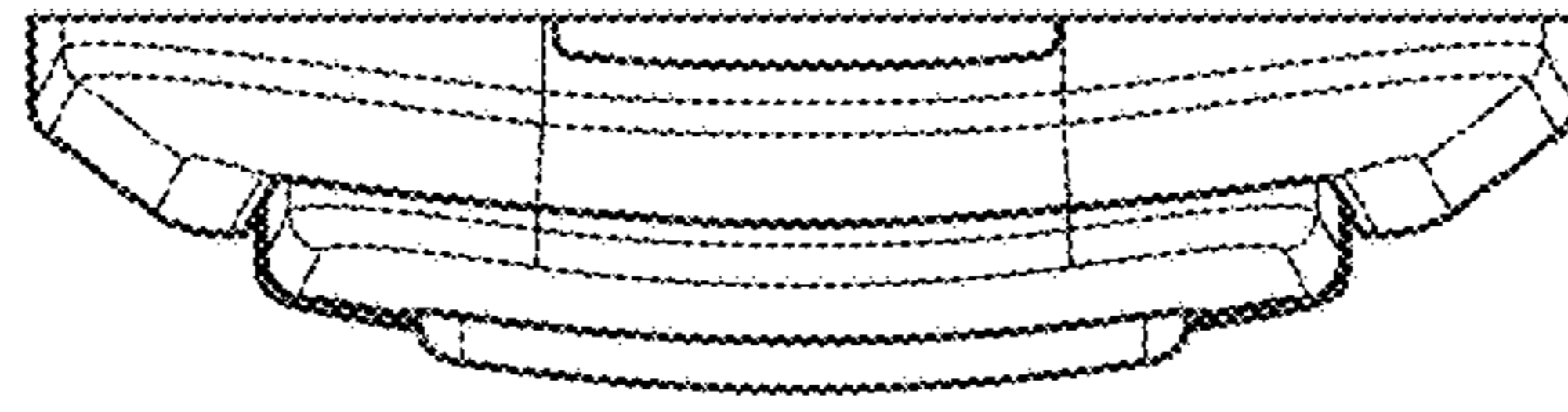


FIG. 4

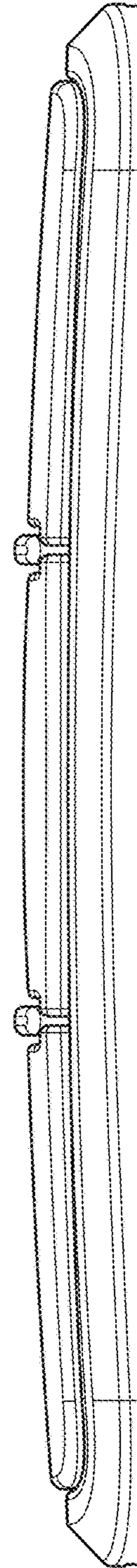


FIG. 3