



US00D811967S

(12) **United States Design Patent** (10) **Patent No.:** **US D811,967 S**
Brown et al. (45) **Date of Patent:** **** Mar. 6, 2018**

(54) **BULL BAR**
(71) Applicant: **ARB Corporation Limited**, Kilsyth,
Victoria (AU)
(72) Inventors: **Andrew Harry Brown**, Kilsyth (AU);
John Desmond Clark, Kilsyth (AU)
(73) Assignee: **ARB CORPORATION LIMITED**,
Kilsyth (AU)

D455,988 S 4/2002 McGuiness
D502,433 S * 3/2005 McClanahan D12/169
D590,752 S 4/2009 Williams et al.
7,703,834 B1 * 4/2010 Hardy B60R 9/06
296/102
D713,305 S 9/2014 Sperling et al.
D722,927 S * 2/2015 Schroeder D12/171
D737,181 S * 8/2015 Smith D12/169
D743,856 S * 11/2015 Ma D12/171
2006/0181088 A1 8/2006 Cobble et al.
2006/0192398 A1 * 8/2006 Buniewicz B60R 19/04
293/102
2009/0302623 A1 12/2009 Finney

(**) Term: **15 Years**

(21) Appl. No.: **29/559,283**
(22) Filed: **Mar. 25, 2016**
(51) **LOC (11) Cl.** **12-16**
(52) **U.S. Cl.**
USPC **D12/171**
(58) **Field of Classification Search**
USPC D12/86, 90, 91, 92, 163, 164, 169, 171,
D12/196, 216
CPC B60R 19/02; B60R 19/18; B60R 19/24;
B60R 19/56; B60R 2019/007; B62D
25/0845
See application file for complete search history.

FOREIGN PATENT DOCUMENTS

AU 2012247050 5/2013

* cited by examiner

Primary Examiner — Darlington Ly
(74) *Attorney, Agent, or Firm* — Davis Wright Tremaine
LLP; Heather M. Colburn

(57) **CLAIM**

The ornamental design for a bull bar, as shown and described.

DESCRIPTION

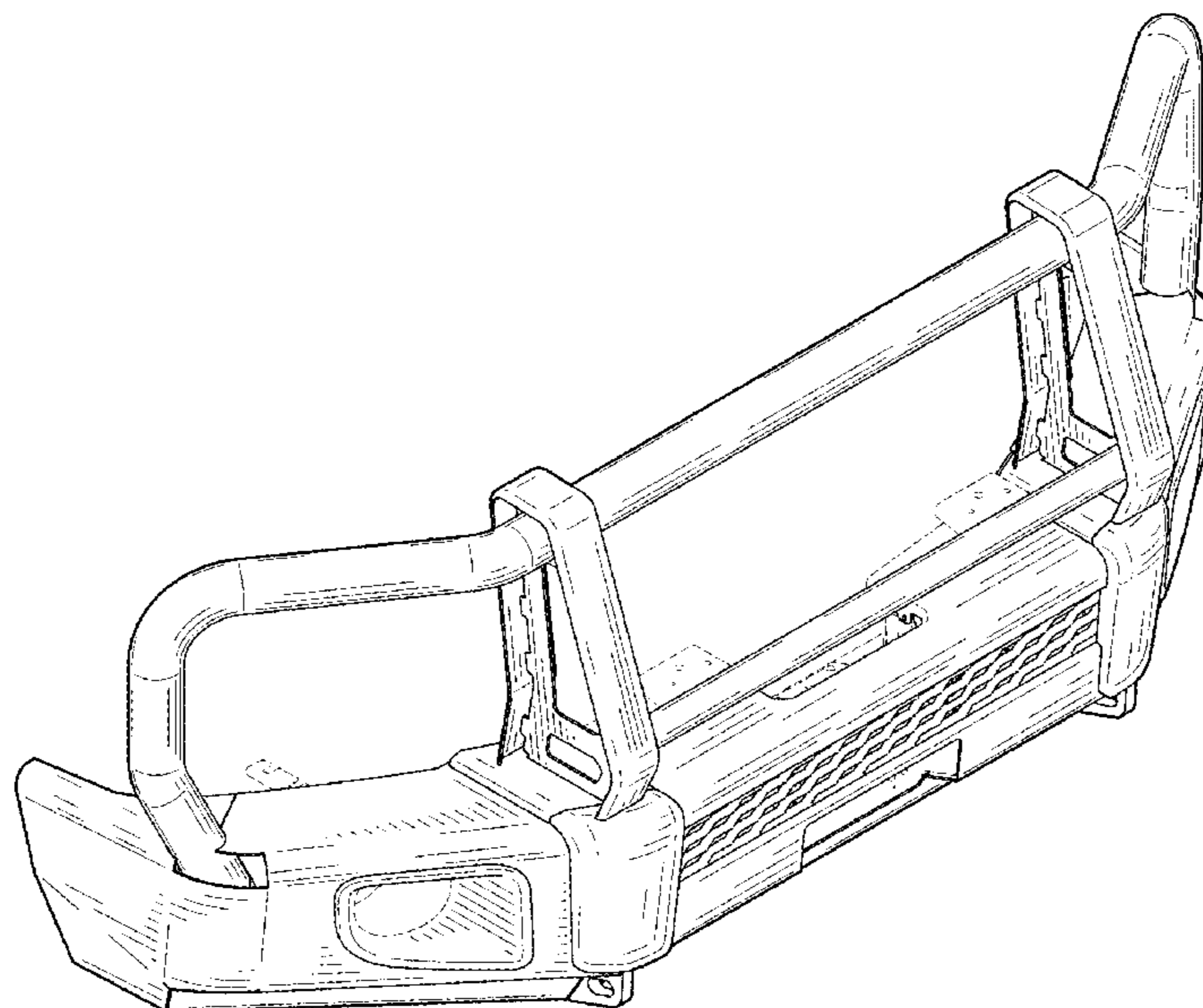
FIG. 1 is a top, front, and right-side perspective view of a bull bar showing our new design;
FIG. 2 is a front elevational view thereof;
FIG. 3 is a top plan view thereof;
FIG. 4 is a right-side elevational view thereof;
FIG. 5 is a left-side elevational view thereof;
FIG. 6 is a bottom plan view thereof; and,
FIG. 7 is a bottom, front, and right-side perspective view thereof.
The broken lines represent portions of the bull bar that form no part of the claim.

(56) **References Cited**

U.S. PATENT DOCUMENTS

D291,075 S 7/1987 Kitahashi
D300,128 S * 3/1989 Brennan D12/169
D318,835 S 8/1991 Partin
D360,865 S 8/1995 Hanson
D375,067 S * 10/1996 Bronstein D12/169
D431,506 S 10/2000 Runfola
D432,469 S * 10/2000 Nelson D12/169
D454,099 S * 3/2002 McGuiness D12/171
D454,525 S * 3/2002 McGuiness D12/171
D454,817 S * 3/2002 McGuiness D12/171
D455,684 S * 4/2002 McGuiness D12/171

1 Claim, 6 Drawing Sheets



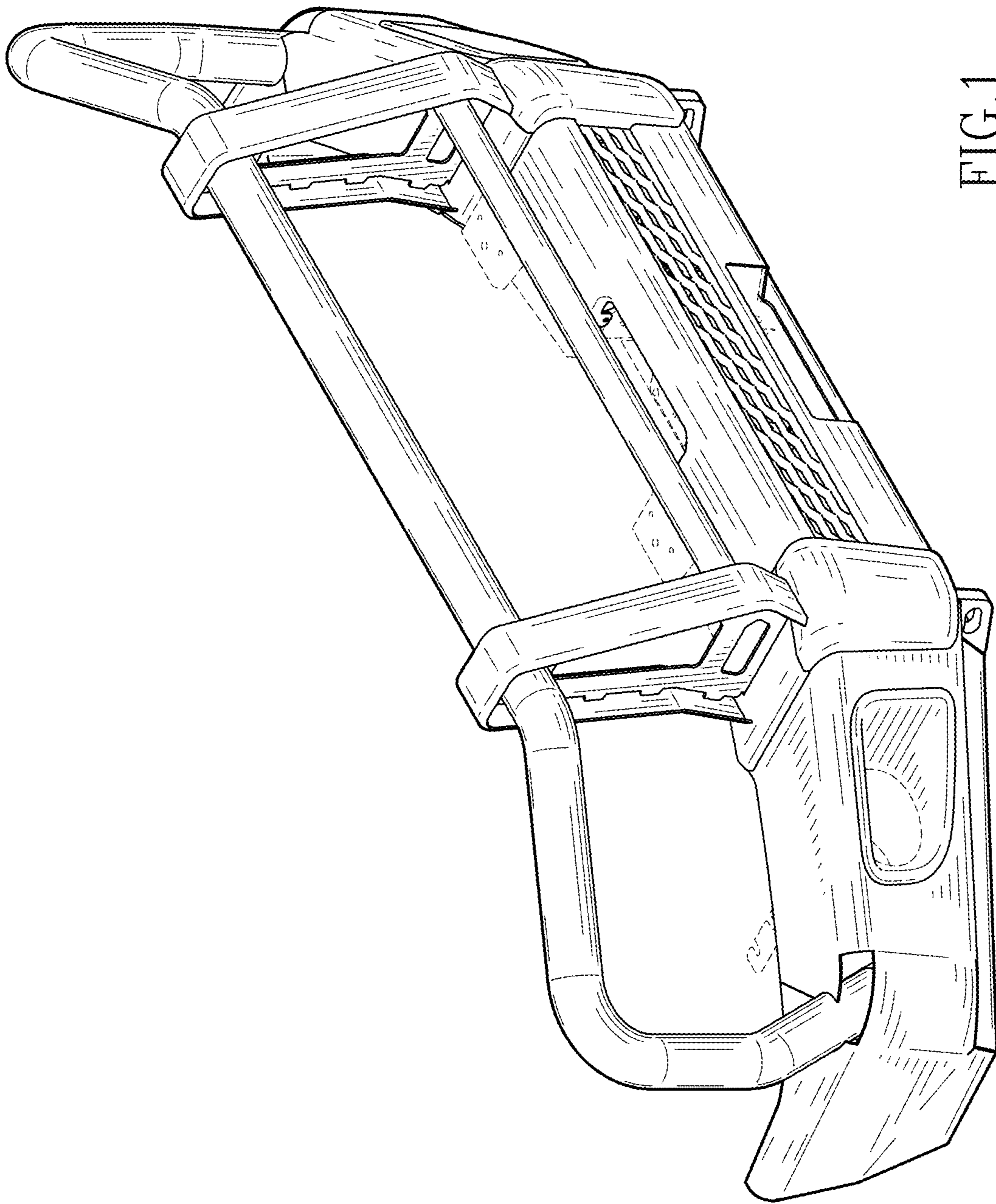


FIG. 1

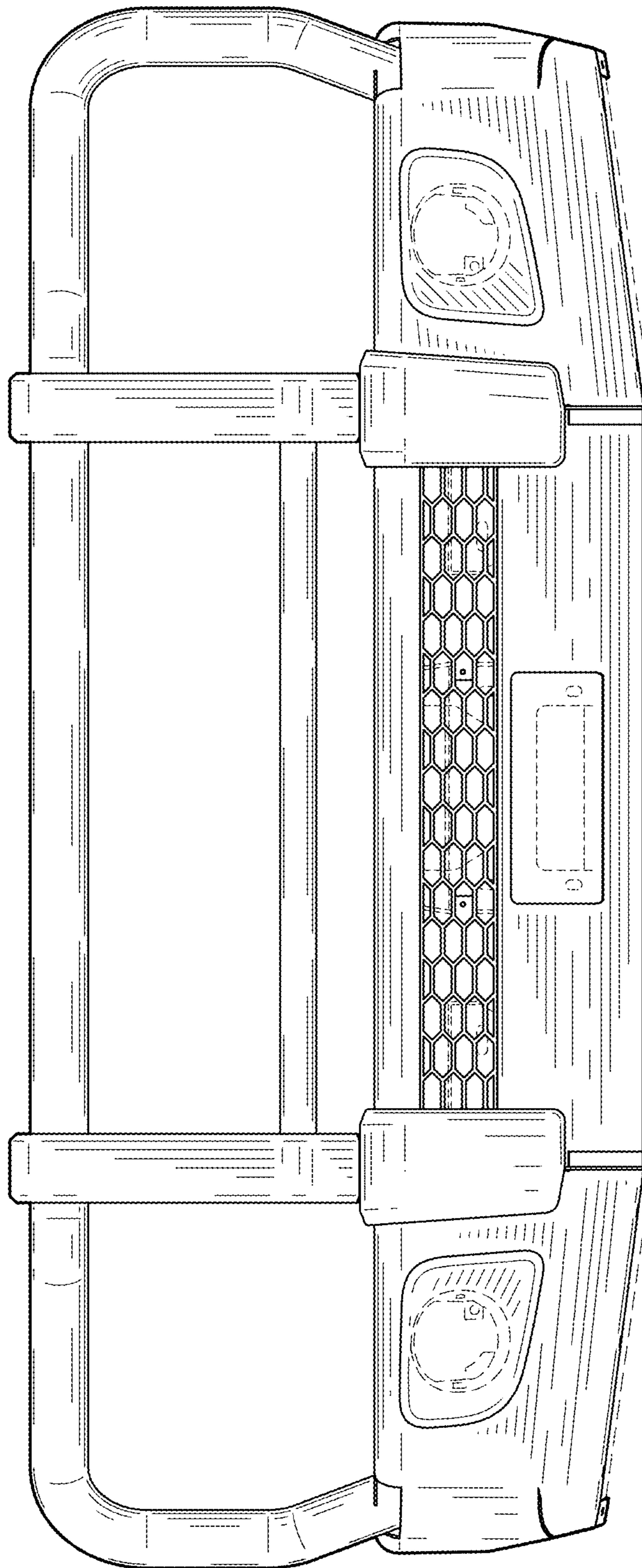


FIG. 2

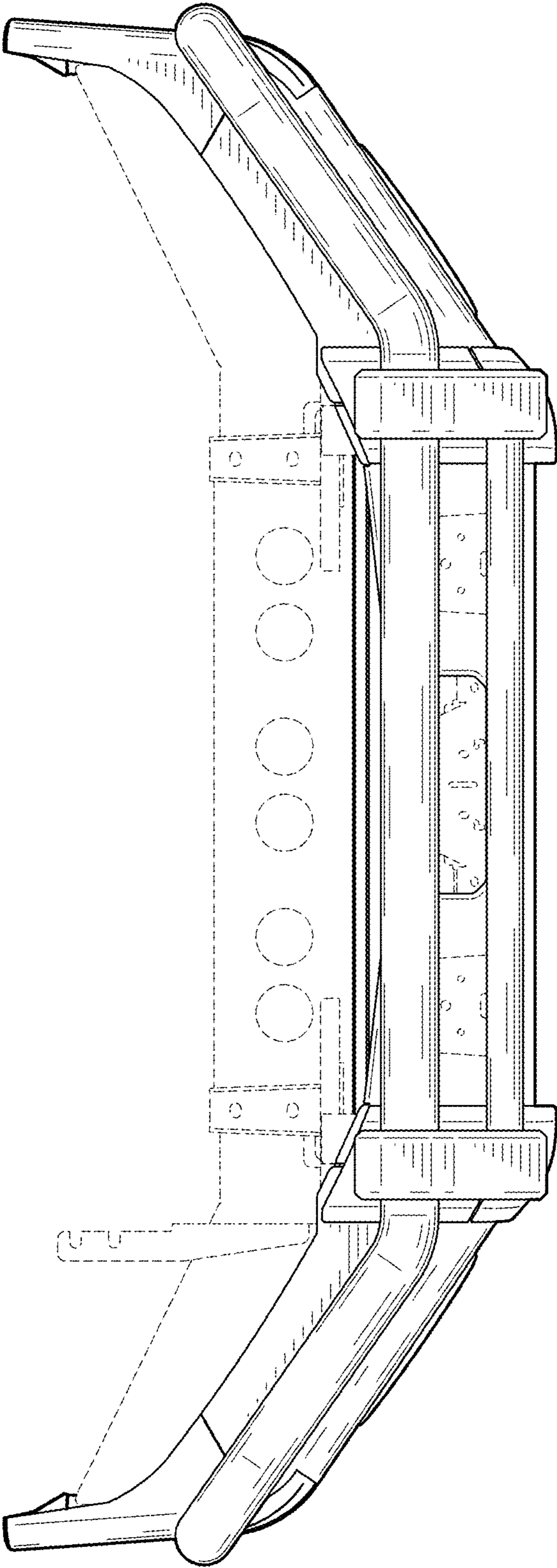


FIG. 3

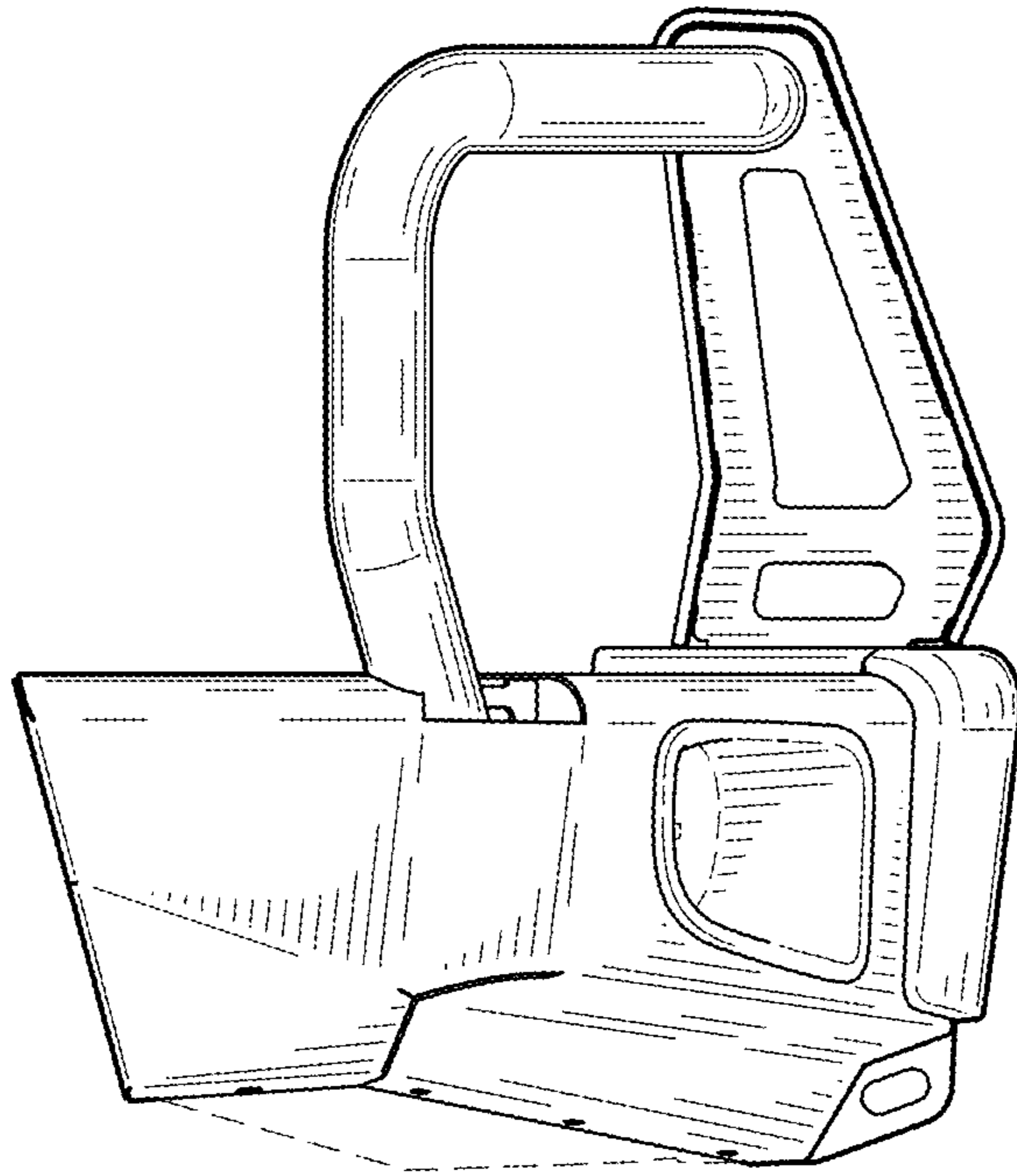


FIG. 4

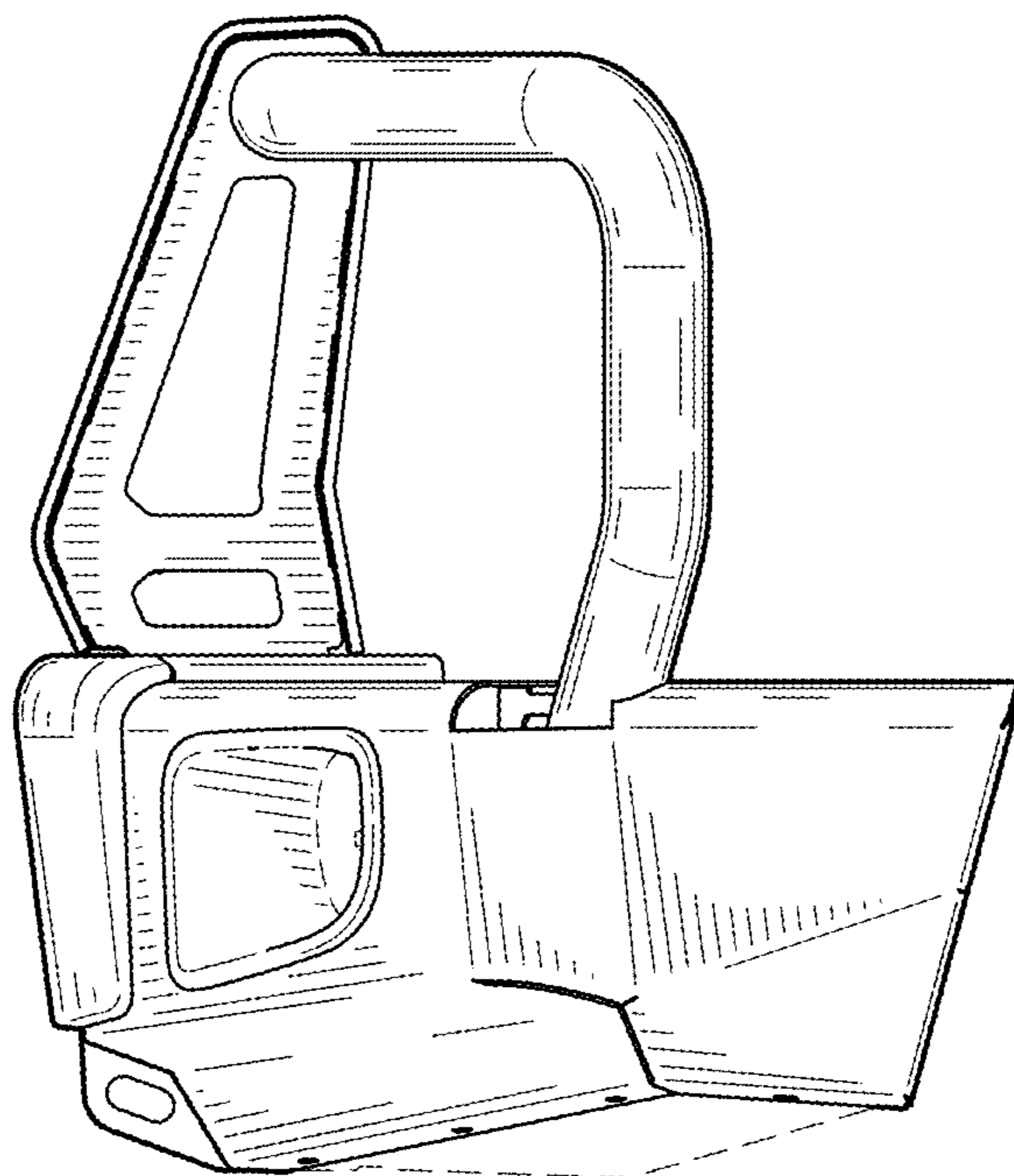


FIG. 5

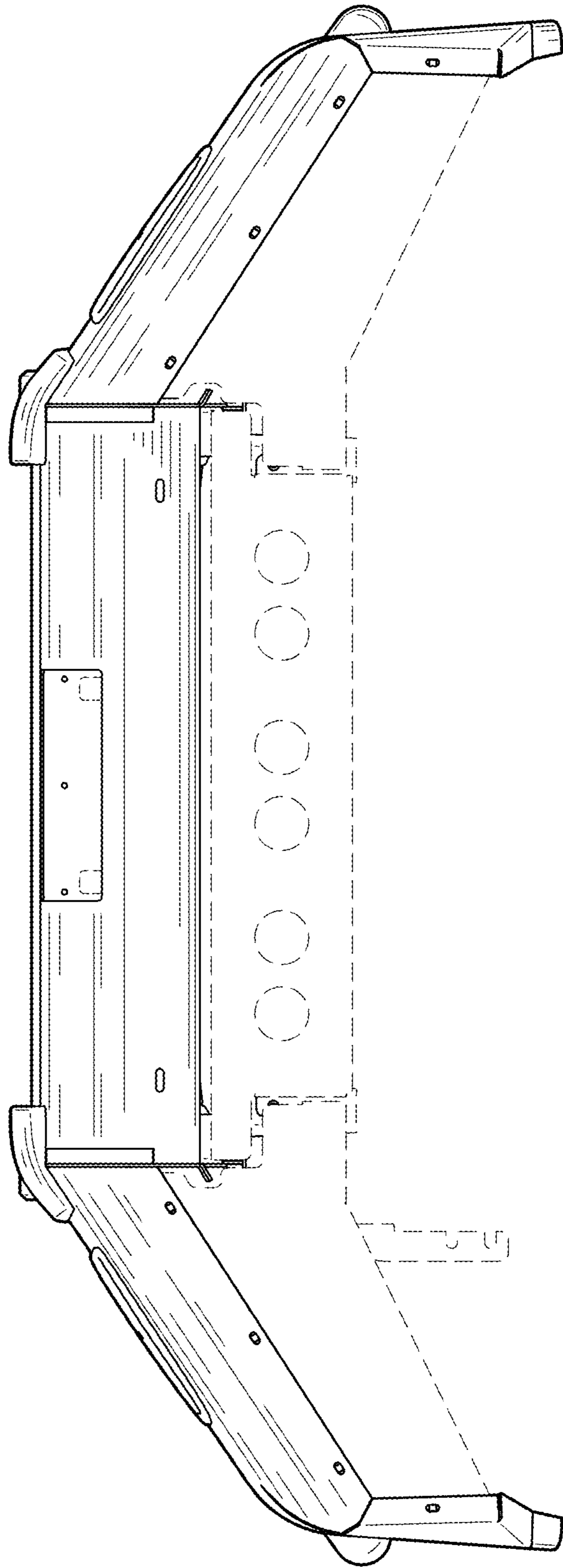


FIG.6

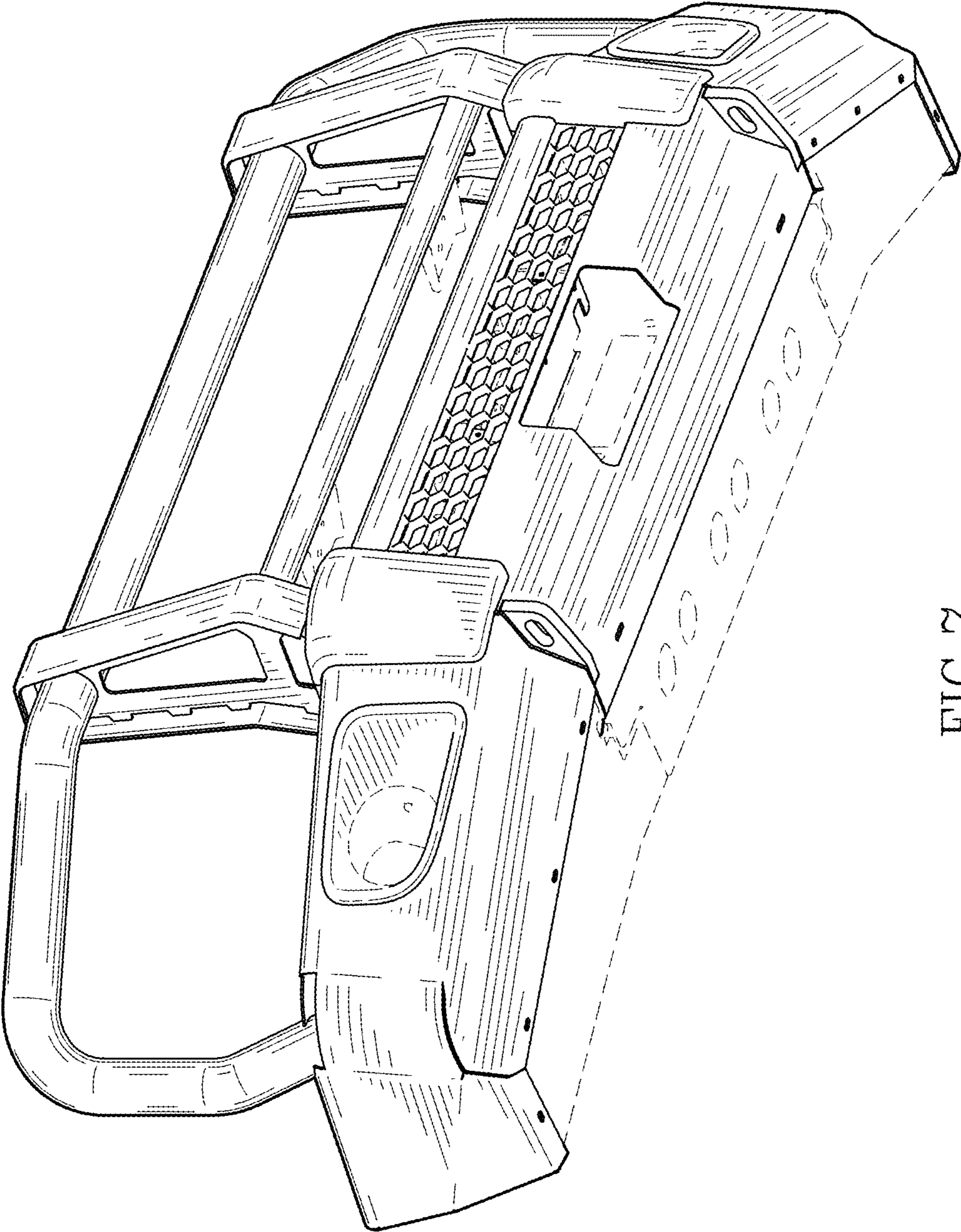


FIG. 7