



US00D811966S

(12) **United States Design Patent** (10) **Patent No.:** **US D811,966 S**
Platto et al. (45) **Date of Patent:** **** Mar. 6, 2018**

(54) **VEHICLE FRONT LOWER BUMPER PROTECTOR**

(71) Applicant: **Ford Global Technologies, LLC**, Dearborn, MI (US)

(72) Inventors: **Gordon M Platto**, Troy, MI (US); **Richard Howard**, Brighton, MI (US); **Marc Cammeyer**, Berkley, MI (US); **Damon G DePeyster**, Northville, MI (US)

(73) Assignee: **Ford Global Technologies, LLC**, Dearborn, MI (US)

(**) Term: **15 Years**

(21) Appl. No.: **29/597,510**

(22) Filed: **Mar. 17, 2017**

(51) **LOC (11) Cl.** **12-16**

(52) **U.S. Cl.**
USPC **D12/169**; D12/167; D12/172

(58) **Field of Classification Search**
USPC D12/86, 90, 91, 92, 163, 164, 167, 169, D12/171, 172, 196, 216
CPC B60R 19/02; B60R 19/18; B60R 19/24; B60R 19/56; B60R 2019/007
See application file for complete search history.

(56) **References Cited**

U.S. PATENT DOCUMENTS

| | | | | |
|--------------|---------|-----------|-------|---------|
| D539,711 S * | 4/2007 | Fujimaki | | D12/169 |
| D544,417 S * | 6/2007 | Kono | | D12/169 |
| D594,391 S * | 6/2009 | Bhambra | | D12/169 |
| D600,606 S * | 9/2009 | Lamm | | D12/169 |
| D601,063 S * | 9/2009 | Lamm | | D12/169 |
| D603,308 S * | 11/2009 | Schiavone | | D12/169 |
| D603,765 S * | 11/2009 | Youn, II | | D12/169 |
| D664,903 S * | 8/2012 | Platto | | D12/169 |

| | | | | |
|--------------|---------|---------------|-------|---------|
| D669,003 S * | 10/2012 | Koizumi | | D12/169 |
| D683,672 S * | 6/2013 | Platto | | D12/169 |
| D699,168 S * | 2/2014 | Osborne | | D12/169 |
| D710,264 S * | 8/2014 | Watkins | | D12/169 |
| D721,622 S * | 1/2015 | Platto | | D12/169 |
| D721,623 S * | 1/2015 | Platto | | D12/169 |
| D731,371 S * | 6/2015 | Morikawa | | D12/169 |
| D739,315 S * | 9/2015 | Blanski | | D12/169 |
| D740,726 S * | 10/2015 | Platto | | D12/169 |
| D744,915 S * | 12/2015 | Curic | | D12/169 |
| D744,916 S * | 12/2015 | Curic | | D12/169 |
| D746,734 S * | 1/2016 | Wolff | | D12/169 |
| D749,470 S * | 2/2016 | Behmer | | D12/169 |
| D753,562 S * | 4/2016 | Wolff | | D12/169 |
| D754,041 S | 4/2016 | Behmer et al. | | |
| D762,147 S * | 7/2016 | Messale | | D12/169 |
| D771,533 S * | 11/2016 | Kapitonov | | D12/169 |
| D771,536 S * | 11/2016 | Wolff | | D12/169 |
| D774,428 S * | 12/2016 | Davidson | | D12/169 |

(Continued)

Primary Examiner — Darlington Ly

(74) *Attorney, Agent, or Firm* — James Dottavio

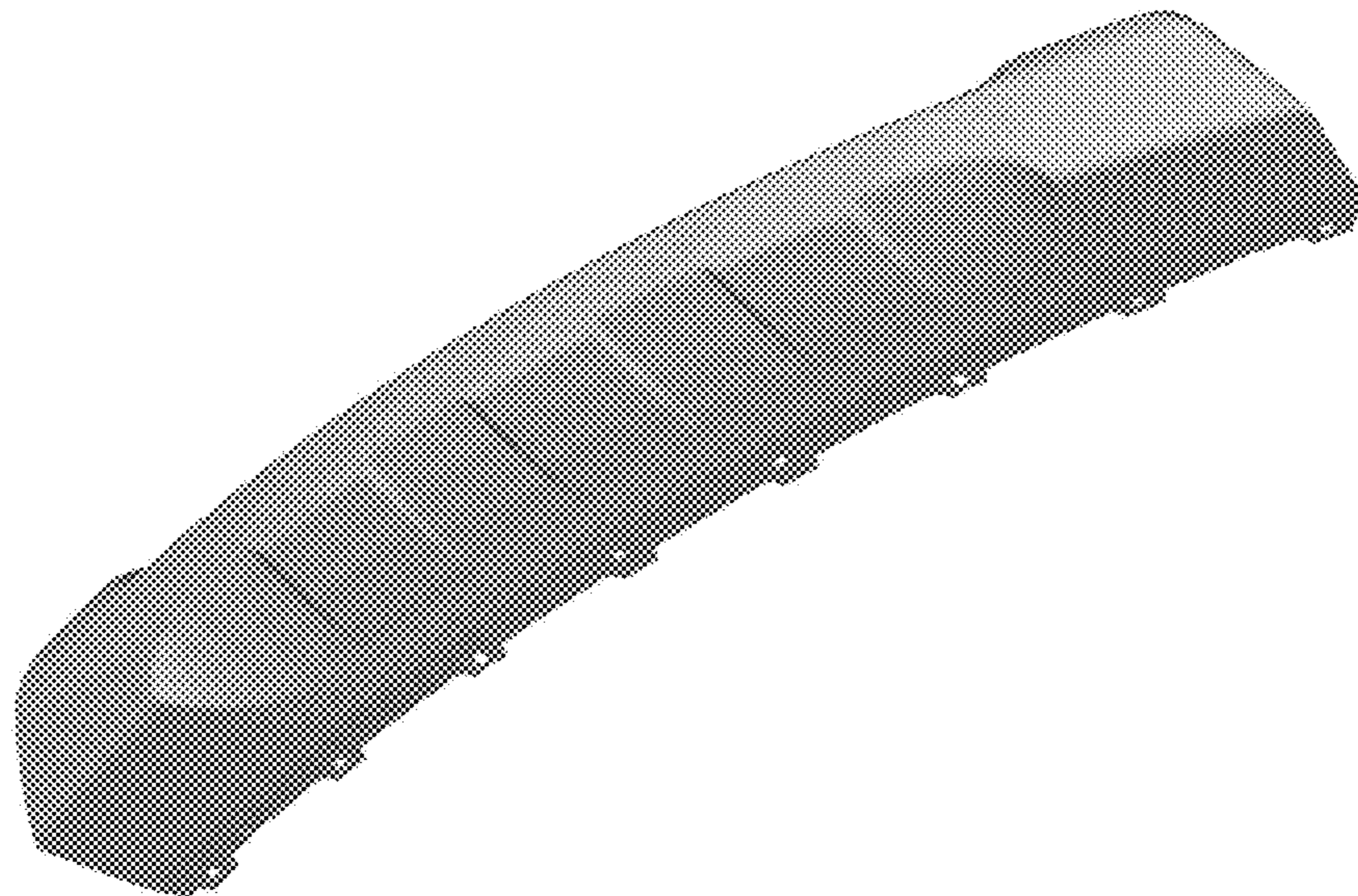
(57) **CLAIM**

The ornamental design for a vehicle front lower bumper protector, as shown and described.

DESCRIPTION

FIG. 1 is a bottom, front, and left side perspective view of a vehicle front lower bumper protector showing our new design;
FIG. 2 is a top, front, and left side perspective view thereof;
FIG. 3 is a top, rear, and left side perspective view thereof;
FIG. 4 is a front elevational view thereof;
FIG. 5 is a rear elevational view thereof;
FIG. 6 is a left side elevational view thereof;
FIG. 7 is a right side elevational view thereof;
FIG. 8 is a top plan view thereof; and,
FIG. 9 is a bottom plan view thereof.

1 Claim, 9 Drawing Sheets



(56)

References Cited

U.S. PATENT DOCUMENTS

| | | | |
|--------------|--------|-------------|---------|
| D793,297 S * | 8/2017 | Smith | D12/169 |
| D793,301 S * | 8/2017 | Kozub | D12/169 |
| D793,302 S * | 8/2017 | Kozub | D12/169 |
| D797,619 S * | 9/2017 | Jung | D12/169 |

* cited by examiner

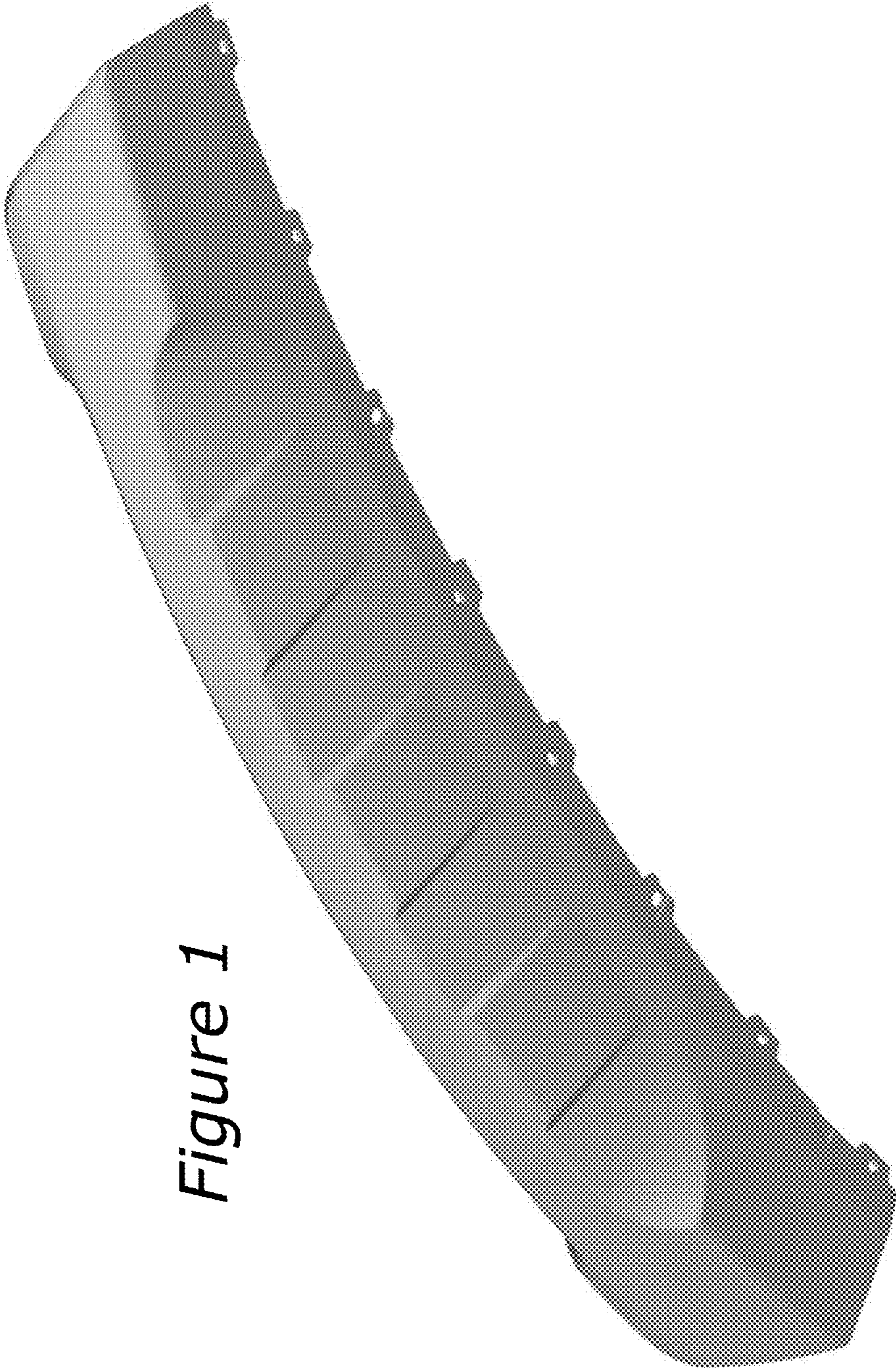


Figure 1

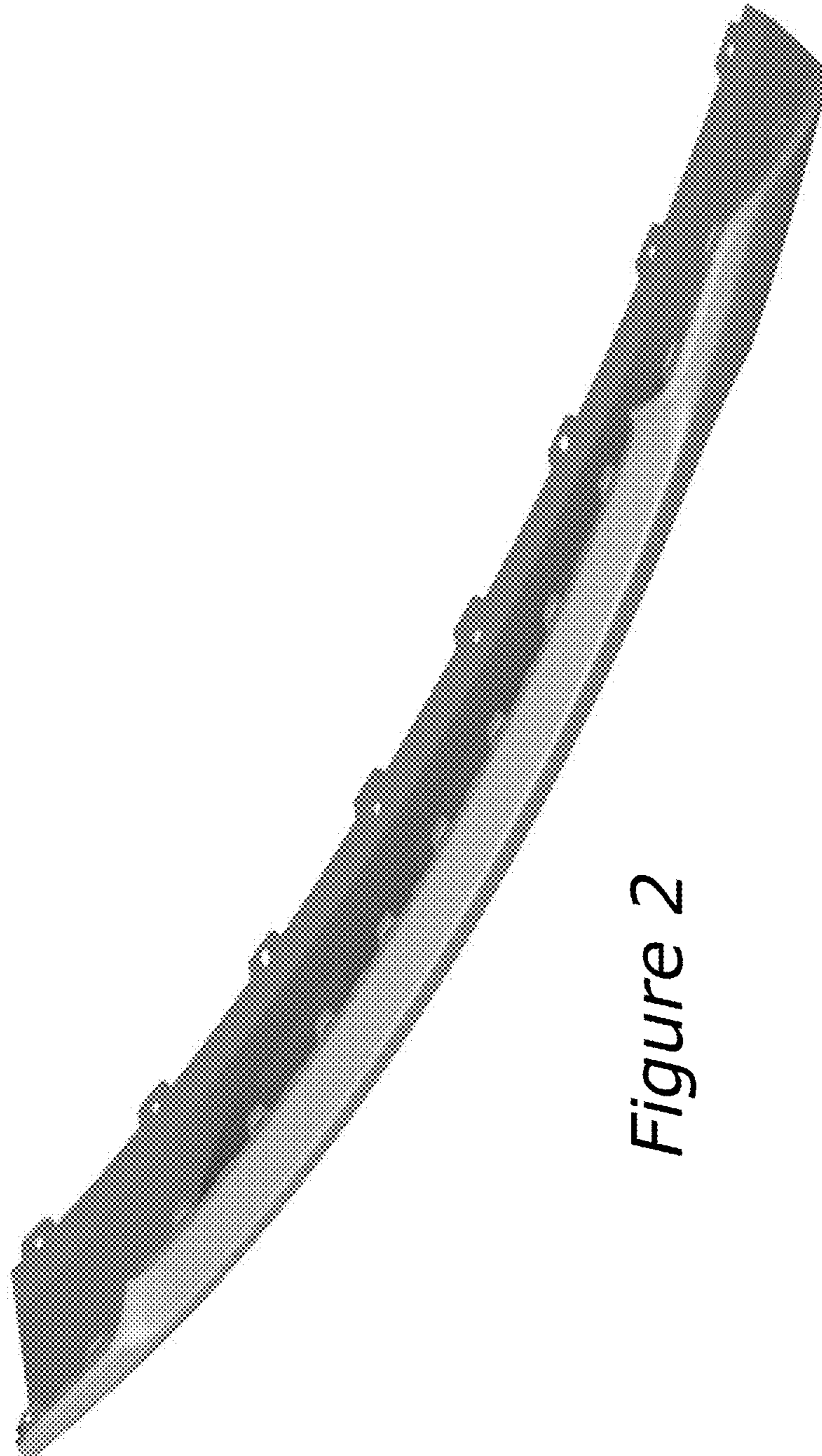


Figure 2

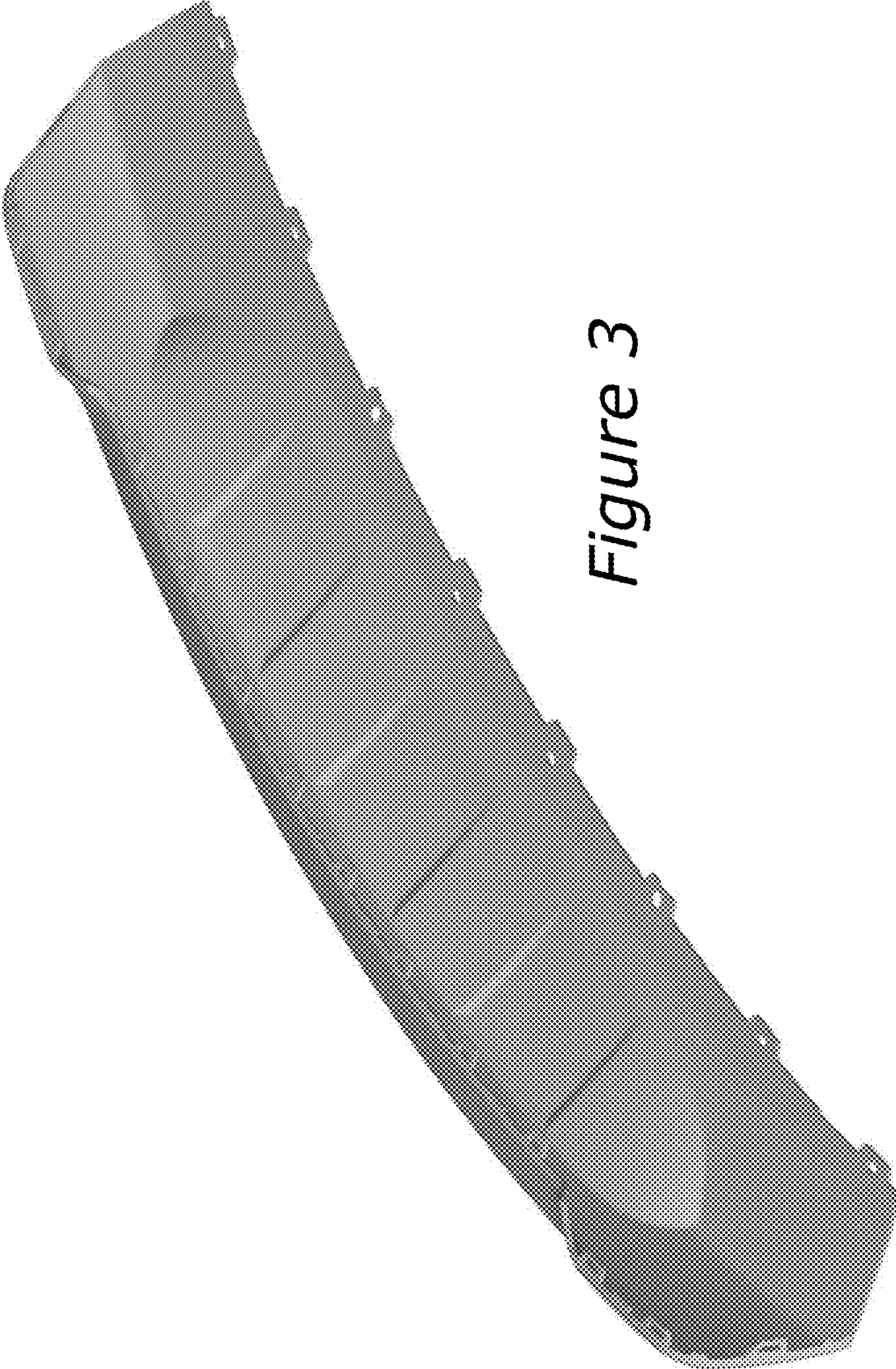


Figure 3

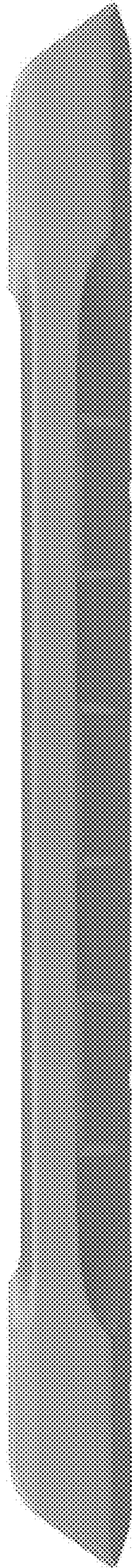


Figure 4

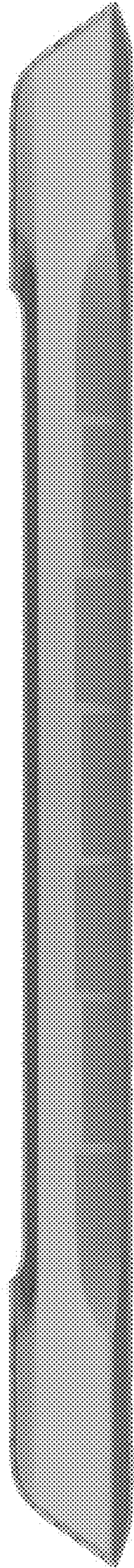


Figure 5

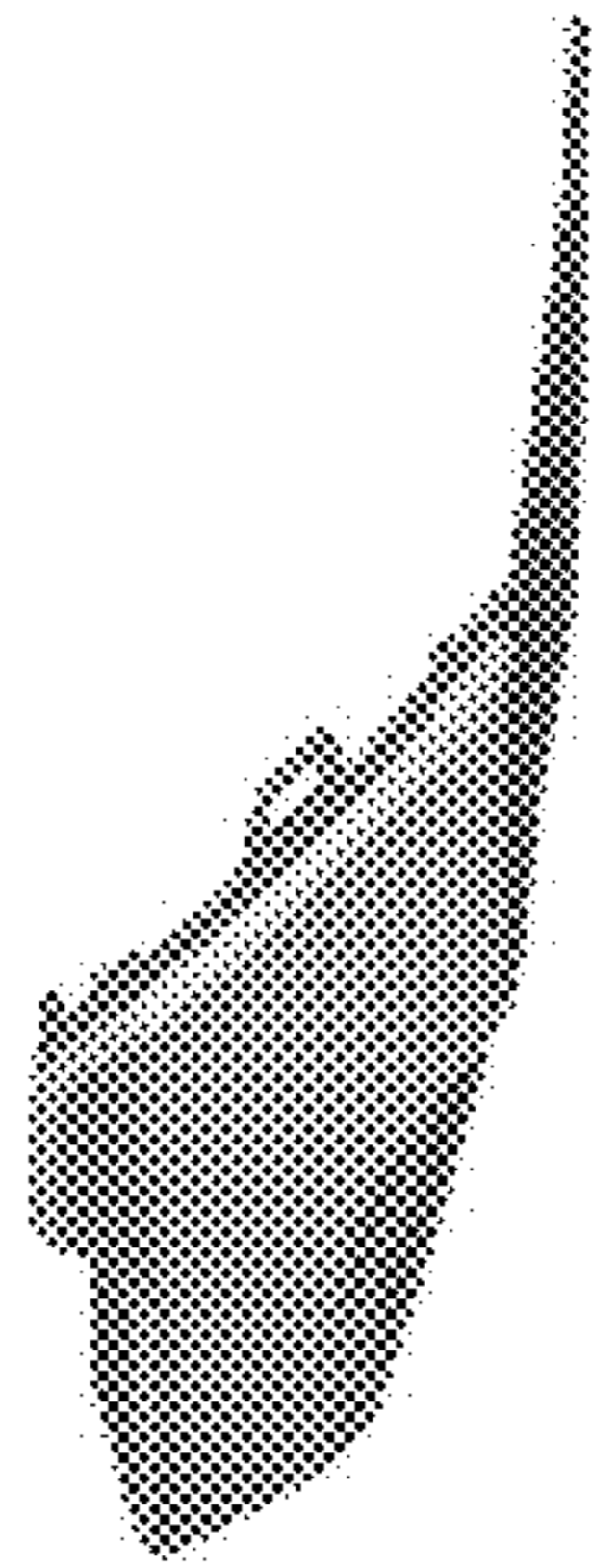


Figure 6

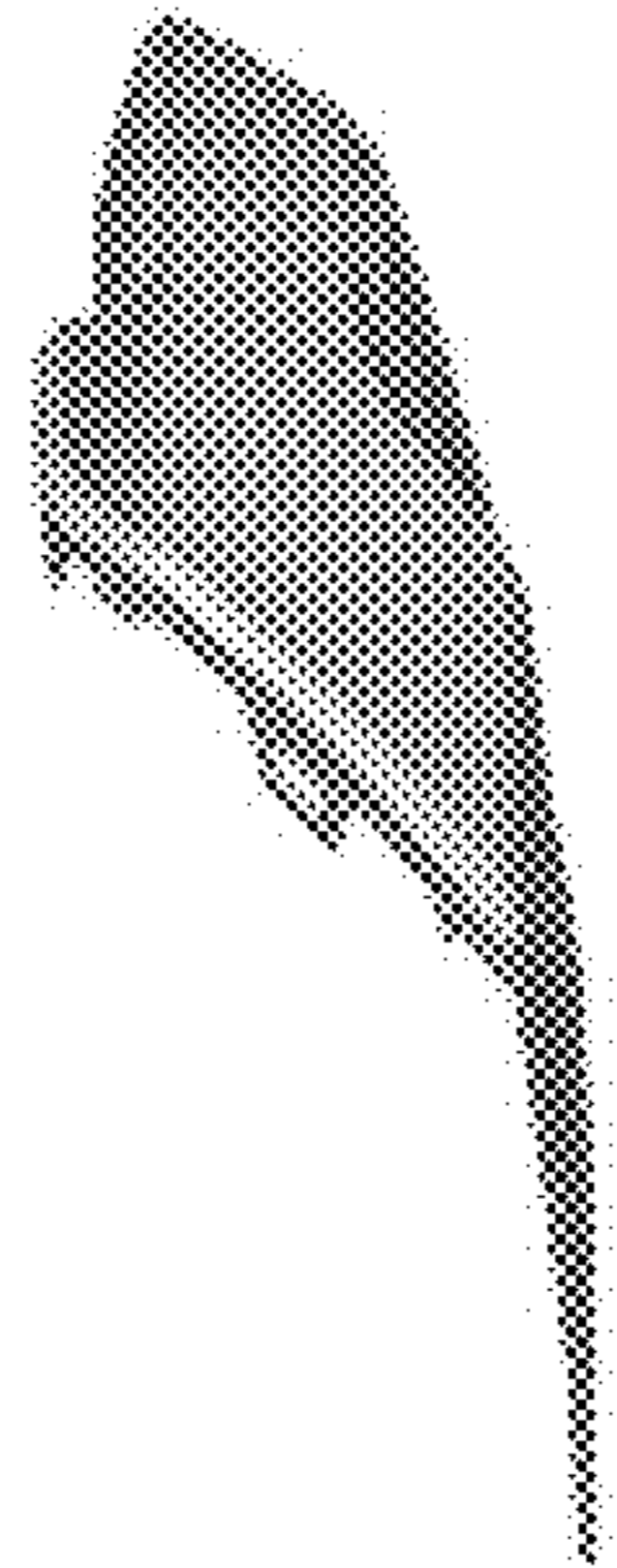


Figure 7

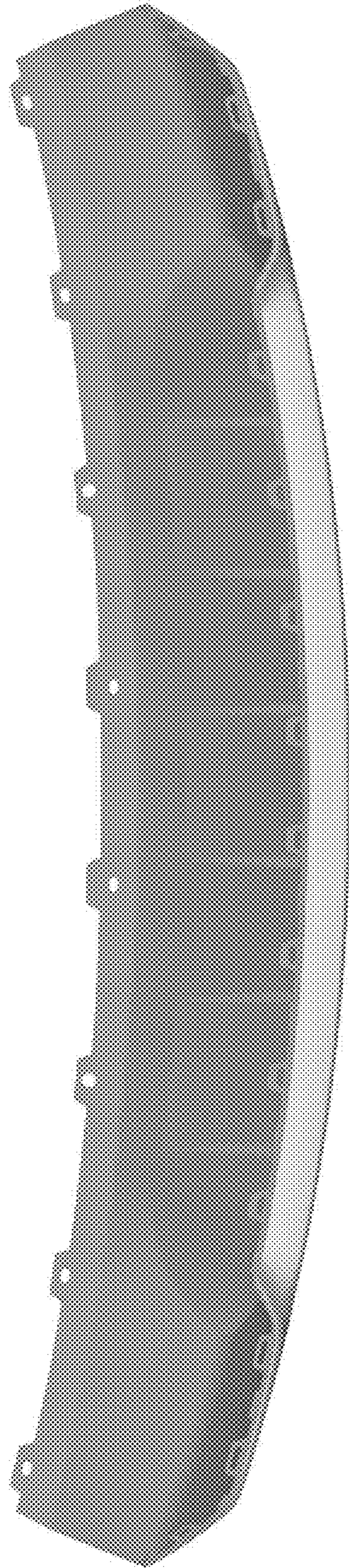


Figure 8

Figure 9

