



US00D811965S

(12) **United States Design Patent** (10) **Patent No.:** **US D811,965 S**  
**Moffett et al.** (45) **Date of Patent:** **\*\* Mar. 6, 2018**

(54) **VEHICLE REAR BUMPER**  
(71) Applicant: **GM GLOBAL TECHNOLOGY OPERATIONS LLC**, Detroit, MI (US)  
(72) Inventors: **Tyler L. H. Moffett**, Detroit, MI (US); **Robert B. McMahan**, Bloomfield Hills, MI (US)  
(73) Assignee: **GM Global Technology Operations LLC**, Detroit, MI (US)  
(\*\*) Term: **15 Years**  
(21) Appl. No.: **29/584,721**  
(22) Filed: **Nov. 16, 2016**  
(51) **LOC (11) Cl.** ..... **12-16**  
(52) **U.S. Cl.**  
USPC ..... **D12/169**; D12/167  
(58) **Field of Classification Search**  
USPC ..... D12/86, 90, 91, 92, 163, 164, 167, 169, D12/171, 196, 216  
CPC ..... B60R 19/02; B60R 19/18; B60R 19/24; B60R 19/56; B60R 2019/007  
See application file for complete search history.

D600,595 S 9/2009 Nakamura et al.  
D601,925 S 10/2009 O'Donnell  
D603,755 S 11/2009 Peters  
D604,203 S 11/2009 O'Donnell  
D605,082 S 12/2009 Munson  
D605,083 S 12/2009 Manoogian, II et al.  
D605,977 S 12/2009 Zipfel et al.  
D605,978 S 12/2009 Wolff et al.  
D608,249 S 1/2010 Peters  
D608,690 S 1/2010 Folden et al.  
D608,691 S 1/2010 Zak, Jr. et al.  
D609,608 S 2/2010 Boniface et al.  
D611,387 S 3/2010 Thompson et al.  
D611,395 S \* 3/2010 Krugger ..... D12/169  
D611,879 S 3/2010 Kim et al.  
D612,297 S 3/2010 Peters et al.  
D613,645 S 4/2010 Song et al.  
D615,458 S 5/2010 Thompson et al.  
D618,595 S 6/2010 Ware et al.  
D623,090 S 9/2010 Cox et al.  
D623,569 S \* 9/2010 Cogswell ..... D12/169  
D627,262 S 11/2010 Ikeda et al.

(Continued)

*Primary Examiner* — Darlington Ly  
(74) *Attorney, Agent, or Firm* — Reising Ethington P.C.

(57) **CLAIM**

The ornamental design for a vehicle rear bumper, as shown and described.

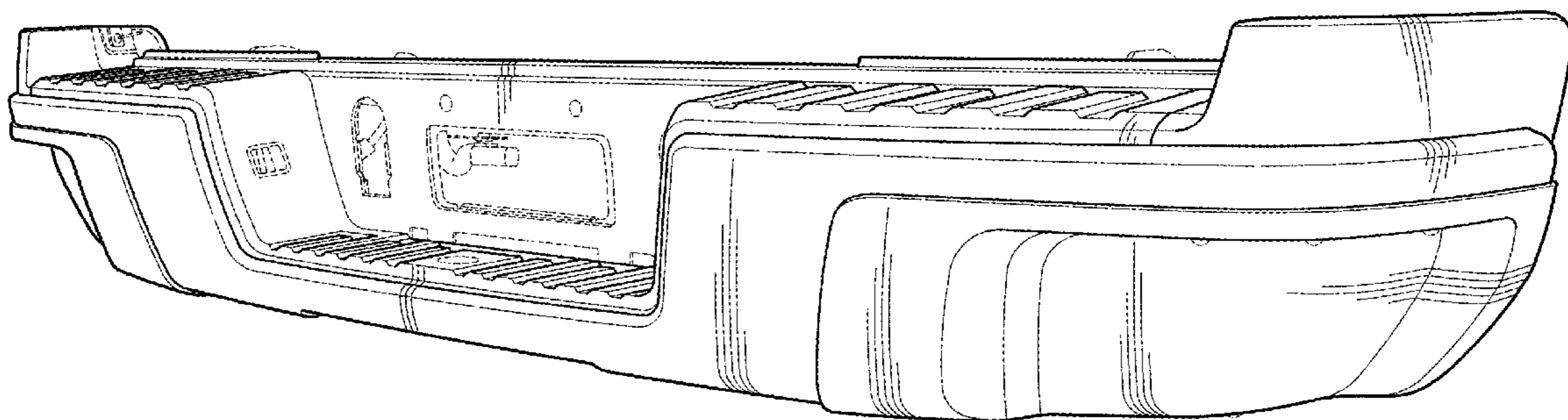
**DESCRIPTION**

FIG. 1 is a perspective view of the vehicle rear bumper; FIG. 2 is a front view thereof; FIG. 3 is a left side view thereof (where the right side view is substantially a mirror image of the left side view); FIG. 4 is a top view thereof; and, FIG. 5 is a bottom view thereof. The broken lines shown in the drawings depict portions of the vehicle rear bumper that form no part of the claimed design.

**1 Claim, 3 Drawing Sheets**

(56) **References Cited**  
U.S. PATENT DOCUMENTS

D420,634 S \* 2/2000 Nelson ..... D12/169  
D424,486 S \* 5/2000 Saleen ..... D12/169  
D491,496 S \* 6/2004 Metros ..... D12/169  
D497,851 S \* 11/2004 Metros ..... D12/169  
D501,809 S \* 2/2005 Metros ..... D12/169  
D512,351 S \* 12/2005 Hattori ..... D12/169  
D531,556 S \* 11/2006 Metros ..... D12/169  
D565,484 S \* 4/2008 Johnson ..... D12/169  
D567,726 S \* 4/2008 Spearman-Oxx ..... D12/169  
D570,742 S 6/2008 Takagi et al.  
D592,105 S 5/2009 Dean et al.  
D597,447 S 8/2009 Folden



(56)

References Cited

U.S. PATENT DOCUMENTS

D627,276 S	*	11/2010	Kruger	.....	D12/169	D739,798 S	*	9/2015	O'Donnell	.....	D12/169
D635,488 S		4/2011	Phipps			D741,223 S		10/2015	Kim et al.		
D644,147 S		8/2011	Suh et al.			D743,309 S		11/2015	Thole et al.		
D644,567 S		9/2011	Kozub			D743,313 S		11/2015	Smith et al.		
D657,718 S		4/2012	Zipfel et al.			D743,314 S		11/2015	Thole et al.		
D659,052 S		5/2012	Ware et al.			D743,857 S		11/2015	McMahan et al.		
D659,053 S		5/2012	Ware et al.			D744,158 S		11/2015	Willett et al.		
D668,182 S		10/2012	Franco et al.			D745,086 S		12/2015	Finos et al.		
D668,183 S		10/2012	Smart			D745,719 S		12/2015	Boniface et al.		
D678,820 S		3/2013	Son et al.			D745,725 S		12/2015	McMahan et al.		
D678,821 S		3/2013	Ikeda et al.			D745,726 S		12/2015	McMahan et al.		
D680,909 S		4/2013	Munson et al.			D745,837 S		12/2015	Smith et al.		
D680,910 S		4/2013	David			D746,726 S		1/2016	Smith et al.		
D684,899 S		6/2013	Baker			D746,727 S		1/2016	Smith et al.		
D686,536 S		7/2013	McCabe et al.			D746,728 S		1/2016	Smith et al.		
D692,798 S		11/2013	Thurber			D746,729 S		1/2016	Boniface et al.		
D692,799 S		11/2013	Smith et al.			D746,730 S		1/2016	Kim et al.		
D696,157 S		12/2013	Loeb			D747,514 S		1/2016	McMahan et al.		
D699,629 S		2/2014	Ikeda et al.			D747,515 S		1/2016	McMahan et al.		
D700,871 S		3/2014	O'Donnell et al.			D747,819 S		1/2016	Thole et al.		
D703,103 S		4/2014	Lee			D749,021 S		2/2016	Boniface et al.		
D704,103 S		5/2014	Mack et al.			D749,026 S		2/2016	Smith et al.		
D705,132 S		5/2014	Ware et al.			D749,027 S		2/2016	McMahan et al.		
D705,699 S		5/2014	Ware et al.			D749,246 S		2/2016	Thole et al.		
D713,298 S		9/2014	Dyson			D749,249 S		2/2016	Thole et al.		
D713,306 S	*	9/2014	Sperling	.....	D12/169	D749,250 S		2/2016	Thole et al.		
D713,764 S		9/2014	Ferlazzo et al.			D749,985 S		2/2016	Kozub et al.		
D716,696 S		11/2014	Thole et al.			D749,997 S	*	2/2016	McMahan	.....	D12/169
D716,706 S		11/2014	Thole et al.			D750,001 S		2/2016	Thole et al.		
D716,709 S		11/2014	Thole et al.			D753,032 S		4/2016	Smith et al.		
D717,696 S		11/2014	Thole et al.			D753,033 S		4/2016	Thole et al.		
D718,189 S		11/2014	Krieg et al.			D753,034 S		4/2016	Thole et al.		
D718,683 S		12/2014	Thole et al.			D753,035 S		4/2016	Boniface et al.		
D721,304 S	*	1/2015	Platto	.....	D12/169	D753,559 S		4/2016	McMahan et al.		
D722,282 S		2/2015	Loeb			D753,560 S		4/2016	McMahan et al.		
D722,533 S		2/2015	Thole et al.			D753,567 S		4/2016	Boniface et al.		
D722,534 S		2/2015	Munson et al.			D754,571 S		4/2016	Boniface et al.		
D724,510 S		3/2015	McMahan et al.			D754,572 S		4/2016	McMahan et al.		
D725,001 S		3/2015	McMahan et al.			D755,088 S		5/2016	McMahan et al.		
D726,591 S		4/2015	Jacob			D755,688 S	*	5/2016	Sato	.....	D12/169
D730,776 S		6/2015	Smart			D756,869 S		5/2016	McMahan et al.		
D730,783 S		6/2015	Henriques et al.			D758,271 S		6/2016	McMahan et al.		
D732,427 S		6/2015	Loeb			D761,166 S	*	7/2016	Hare	.....	D12/169
D732,429 S		6/2015	Loeb			D767,449 S		9/2016	Pevovar et al.		
D732,430 S		6/2015	Loeb			D767,450 S		9/2016	Lee et al.		
D732,431 S		6/2015	Loeb			D767,451 S		9/2016	Kozub et al.		
D732,432 S		6/2015	Aengenheyster			D767,454 S		9/2016	McMahan et al.		
D732,433 S		6/2015	Aengenheyster			D767,458 S		9/2016	Kim		
D732,435 S		6/2015	Mackay			D767,459 S		9/2016	Kim		
D733,002 S		6/2015	Loeb			D767,460 S		9/2016	Kozub et al.		
D735,611 S		8/2015	Aengenheyster			D767,461 S		9/2016	Kozub et al.		
D735,627 S		8/2015	Smith			D771,528 S		11/2016	Smith et al.		
D736,451 S		8/2015	Smith			D771,529 S		11/2016	Thole et al.		
D739,306 S		9/2015	McMahan			D771,532 S		11/2016	Kapitonov		
D739,317 S		9/2015	McMahan et al.			D771,533 S		11/2016	Kapitonov		
						D789,848 S	*	6/2017	Platto	.....	D12/169

\* cited by examiner

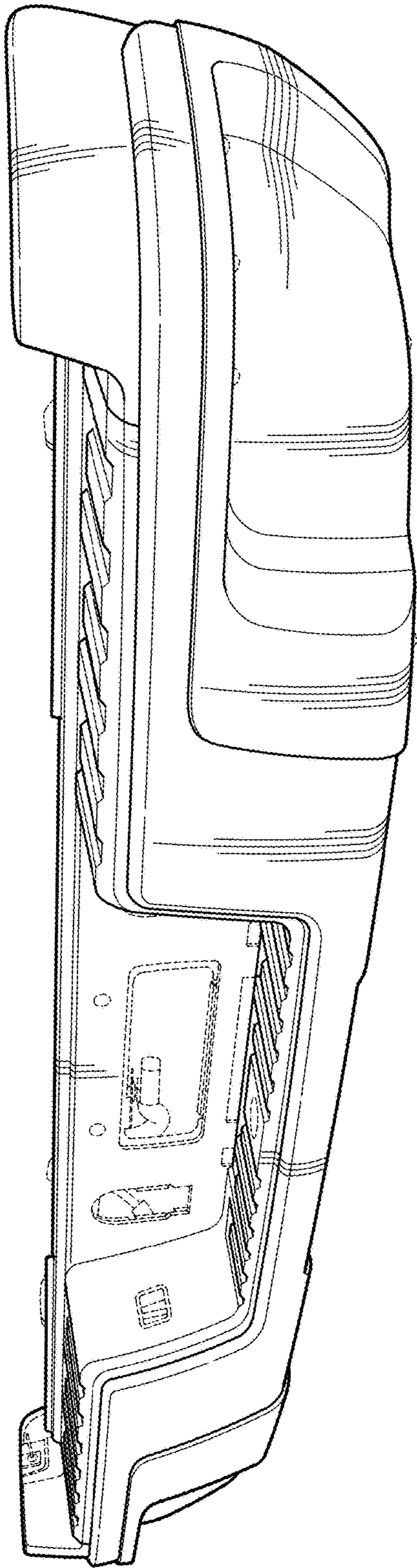


FIG. 1

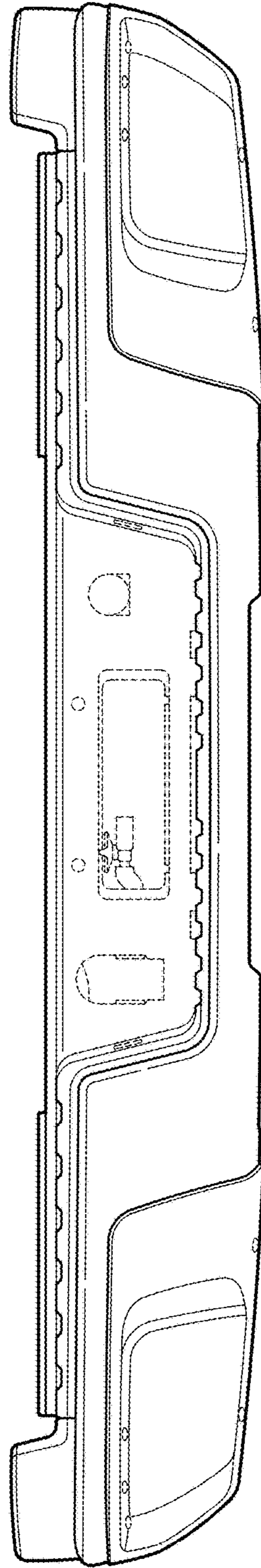


FIG. 2

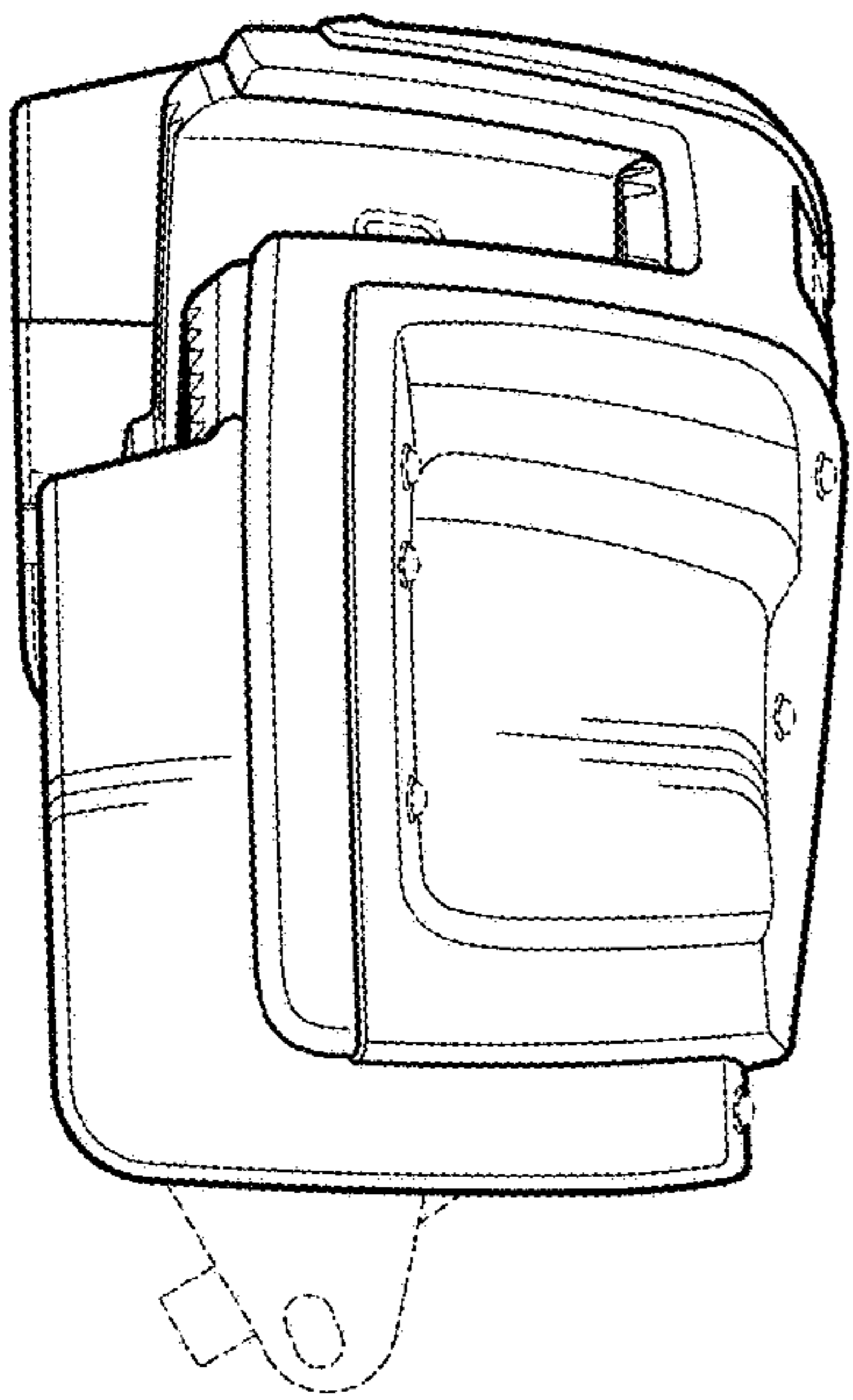


FIG. 3

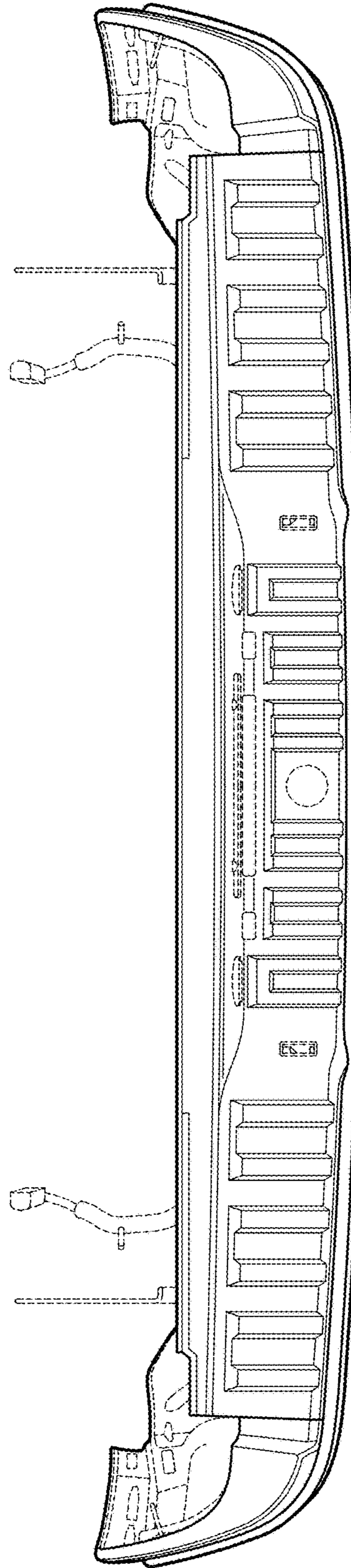


FIG. 4

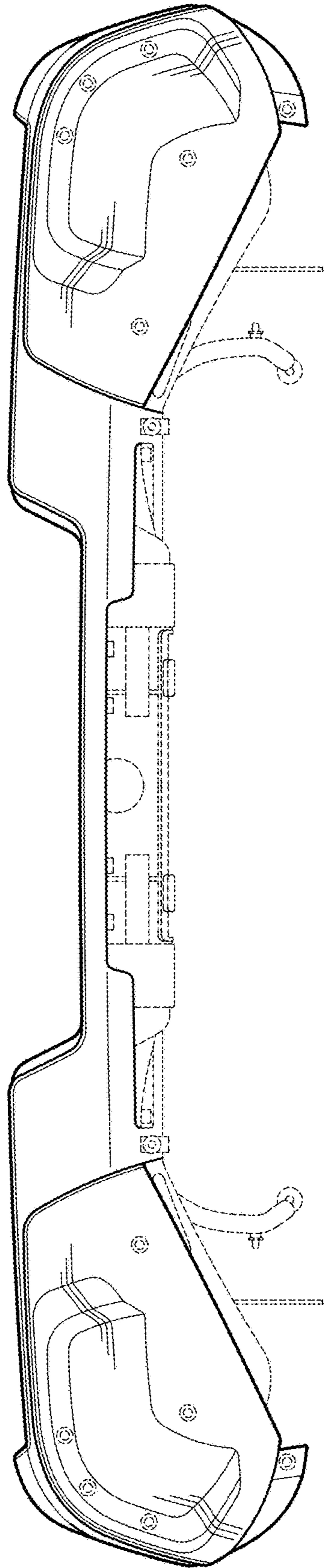


FIG. 5