



US00D811958S

(12) **United States Design Patent**
Zipfel et al.

(10) **Patent No.:** **US D811,958 S**
(45) **Date of Patent:** **** Mar. 6, 2018**

- (54) **VEHICLE REAR LOWER BUMPER**
- (71) Applicant: **GM GLOBAL TECHNOLOGY OPERATIONS LLC**, Detroit, MI (US)
- (72) Inventors: **Carl J. Zipfel**, Oxford, MI (US); **David Gillespie**, Huntington Woods, MI (US)
- (73) Assignee: **GM Global Technology Operations LLC**, Detroit, MI (US)
- (**) Term: **15 Years**
- (21) Appl. No.: **29/569,906**
- (22) Filed: **Jul. 1, 2016**
- (51) **LOC (11) Cl.** **12-16**
- (52) **U.S. Cl.**
USPC **D12/169**
- (58) **Field of Classification Search**
USPC D12/169, 216, 90-92, 86, 171, 196, 163;
293/102, 113, 115, 117, 120; 296/180.1,
296/180.2
CPC B60R 19/02; B60R 19/04; B62D 25/08
See application file for complete search history.

D608,691 S	1/2010	Zak, Jr. et al.	
D609,608 S	2/2010	Boniface et al.	
D611,387 S	3/2010	Thompson et al.	
D611,879 S	3/2010	Kim et al.	
D612,297 S	3/2010	Peters et al.	
D613,645 S	4/2010	Song et al.	
D615,458 S	5/2010	Thompson et al.	
D618,595 S	6/2010	Ware et al.	
D623,090 S	9/2010	Cox et al.	
D627,262 S	11/2010	Ikeda et al.	
D635,488 S	4/2011	Phipps	
D644,147 S	8/2011	Suh et al.	
D644,567 S	9/2011	Kozub	
D644,578 S	* 9/2011	Messale	D12/169
D657,718 S	4/2012	Zipfel et al.	
D659,052 S	5/2012	Ware et al.	
D659,053 S	5/2012	Ware et al.	
D668,182 S	10/2012	Franco et al.	
D668,183 S	10/2012	Smart	
D678,820 S	3/2013	Son et al.	
D678,821 S	3/2013	Ikeda et al.	
D680,909 S	4/2013	Munson et al.	

(Continued)

Primary Examiner — Melody N Brown
(74) *Attorney, Agent, or Firm* — Reising Ethington P.C.

(57) **CLAIM**

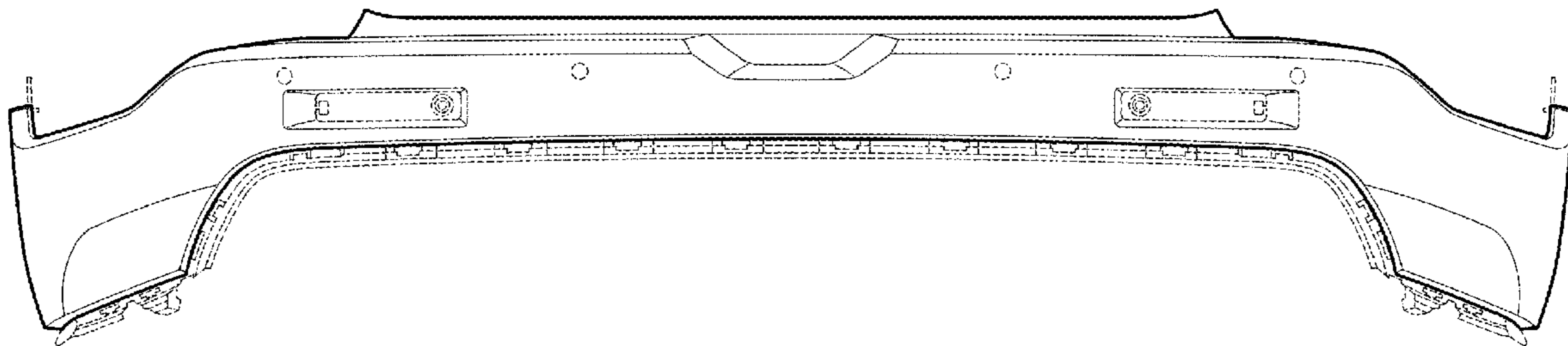
The ornamental design for a vehicle rear lower bumper, as shown and described.

DESCRIPTION

FIG. 1 is a perspective view of a vehicle rear lower bumper showing our new design; FIG. 2 is a front view thereof; FIG. 3 is a left side elevational view thereof, the right side view being a mirror image thereof; and, FIG. 4 is a bottom view thereof. The broken lines shown in the drawings depict portions of the vehicle rear lower bumper that form no part of the claimed design.

1 Claim, 2 Drawing Sheets

- (56) **References Cited**
- U.S. PATENT DOCUMENTS
- D570,742 S 6/2008 Takagi et al.
- D592,105 S 5/2009 Dean et al.
- D597,447 S 8/2009 Folden
- D600,595 S 9/2009 Nakamura et al.
- D601,925 S 10/2009 O'Donnell
- D603,755 S 11/2009 Peters
- D604,203 S 11/2009 O'Donnell
- D605,082 S 12/2009 Munson
- D605,083 S 12/2009 Manoogian, II et al.
- D605,977 S 12/2009 Zipfel et al.
- D605,978 S 12/2009 Wolff et al.
- D608,249 S 1/2010 Peters
- D608,690 S 1/2010 Folden et al.



(56)

References Cited

U.S. PATENT DOCUMENTS

D680,910 S	4/2013	David		D736,451 S	8/2015	Smith	
D683,669 S *	6/2013	Giachin	D12/169	D738,268 S *	9/2015	Blanski	D12/169
D684,899 S	6/2013	Baker		D739,306 S	9/2015	McMahan et al.	
D686,536 S	7/2013	McCabe et al.		D739,317 S	9/2015	McMahan et al.	
D688,991 S *	9/2013	Song	D12/169	D741,223 S	10/2015	Kim et al.	
D692,798 S	11/2013	Thurber		D743,309 S	11/2015	Thole et al.	
D692,799 S	11/2013	Smith et al.		D743,313 S	11/2015	Smith et al.	
D696,157 S	12/2013	Loeb		D743,314 S	11/2015	Thole et al.	
D699,629 S	2/2014	Ikeda et al.		D743,857 S	11/2015	McMahan et al.	
D700,871 S	3/2014	O'Donnell et al.		D744,158 S	11/2015	Willett et al.	
D703,103 S	4/2014	Lee		D745,086 S	12/2015	Finos et al.	
D704,103 S	5/2014	Mack et al.		D745,719 S	12/2015	Boniface et al.	
D705,132 S	5/2014	Ware et al.		D745,725 S	12/2015	McMahan et al.	
D705,699 S	5/2014	Ware et al.		D745,726 S	12/2015	McMahan et al.	
D713,298 S	9/2014	Dyson		D745,837 S	12/2015	Smith et al.	
D713,764 S	9/2014	Ferlazzo et al.		D746,726 S	1/2016	Smith et al.	
D716,696 S	11/2014	Thole et al.		D746,727 S	1/2016	Smith et al.	
D716,706 S	11/2014	Thole et al.		D746,728 S	1/2016	Smith et al.	
D716,709 S	11/2014	Thole et al.		D746,729 S	1/2016	Boniface et al.	
D717,696 S	11/2014	Thole et al.		D746,730 S	1/2016	Kim et al.	
D718,189 S	11/2014	Krieg et al.		D747,514 S	1/2016	McMahan et al.	
D718,683 S	12/2014	Thole et al.		D747,515 S	1/2016	McMahan et al.	
D721,304 S *	1/2015	Platto	D12/169	D747,819 S	1/2016	Thole et al.	
D721,623 S *	1/2015	Platto	D12/169	D749,021 S	2/2016	Boniface et al.	
D722,282 S	2/2015	Loeb		D749,026 S	2/2016	Smith et al.	
D722,533 S	2/2015	Thole et al.		D749,027 S	2/2016	McMahan et al.	
D722,534 S	2/2015	Munson et al.		D749,246 S	2/2016	Thole et al.	
D724,510 S	3/2015	McMahan et al.		D749,249 S	2/2016	Thole et al.	
D725,001 S	3/2015	McMahan et al.		D749,250 S	2/2016	Thole et al.	
D726,591 S	4/2015	Jacob		D749,985 S	2/2016	Kozub et al.	
D730,776 S	6/2015	Smart		D749,997 S	2/2016	McMahan et al.	
D730,783 S	6/2015	Henriques et al.		D750,001 S	2/2016	Thole et al.	
D732,427 S	6/2015	Loeb		D753,032 S	4/2016	Smith et al.	
D732,429 S	6/2015	Loeb		D753,033 S	4/2016	Thole et al.	
D732,430 S	6/2015	Loeb		D753,034 S	4/2016	Thole et al.	
D732,431 S	6/2015	Loeb		D753,035 S	4/2016	Boniface et al.	
D732,432 S	6/2015	Aengenheyster		D753,559 S	4/2016	McMahan et al.	
D732,433 S	6/2015	Aengenheyster		D753,560 S	4/2016	McMahan et al.	
D732,435 S	6/2015	Mackay		D753,567 S	4/2016	Boniface et al.	
D733,002 S	6/2015	Loeb		D754,571 S	4/2016	Boniface et al.	
D735,611 S	8/2015	Aengenheyster		D754,572 S	4/2016	McMahan et al.	
D735,627 S	8/2015	Smith		D755,088 S	5/2016	McMahan et al.	
				D756,869 S	5/2016	McMahan et al.	
				D758,271 S	6/2016	McMahan et al.	

* cited by examiner

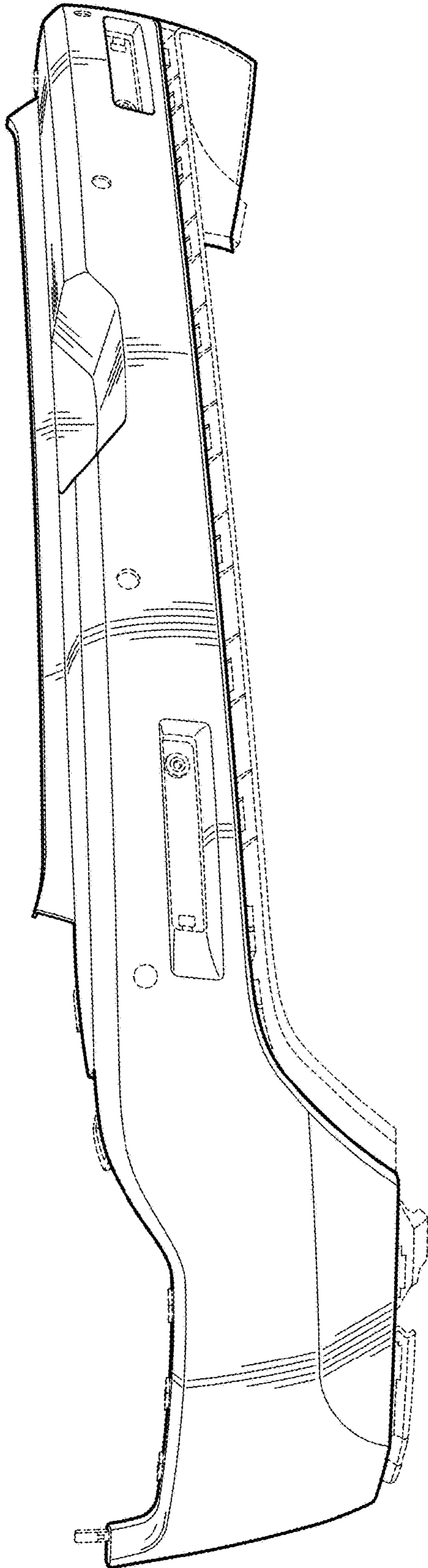


FIG. 1

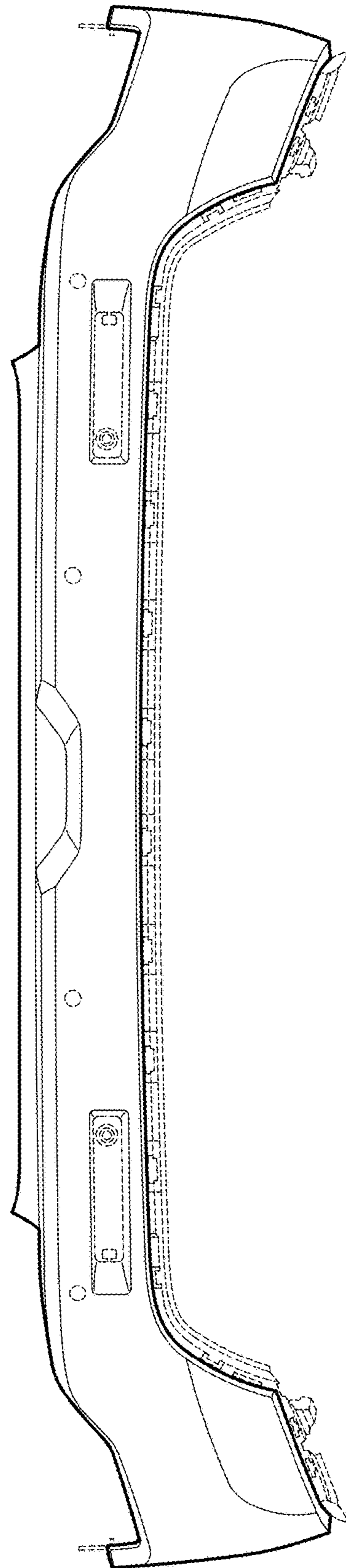


FIG. 2

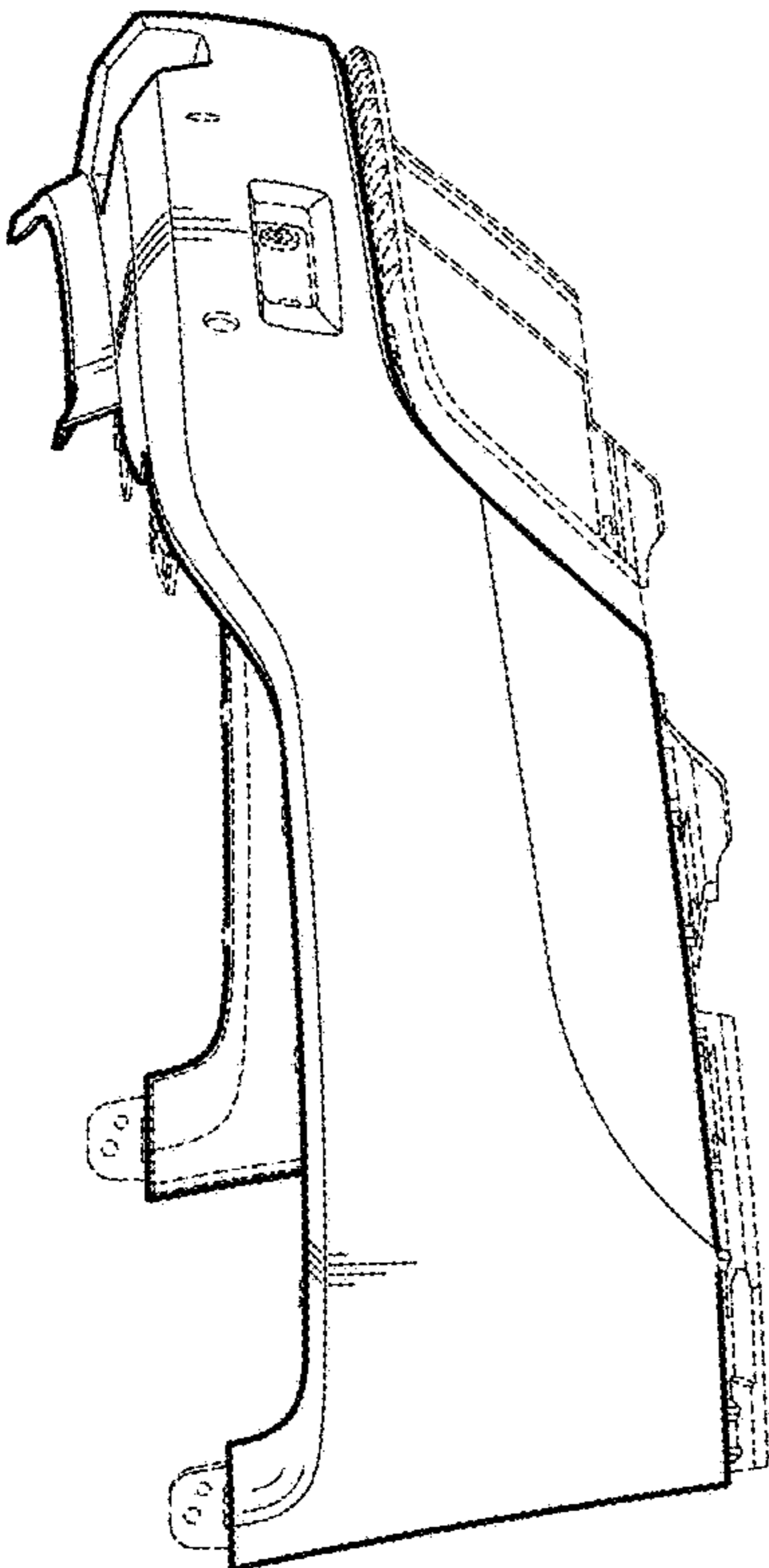


FIG. 3

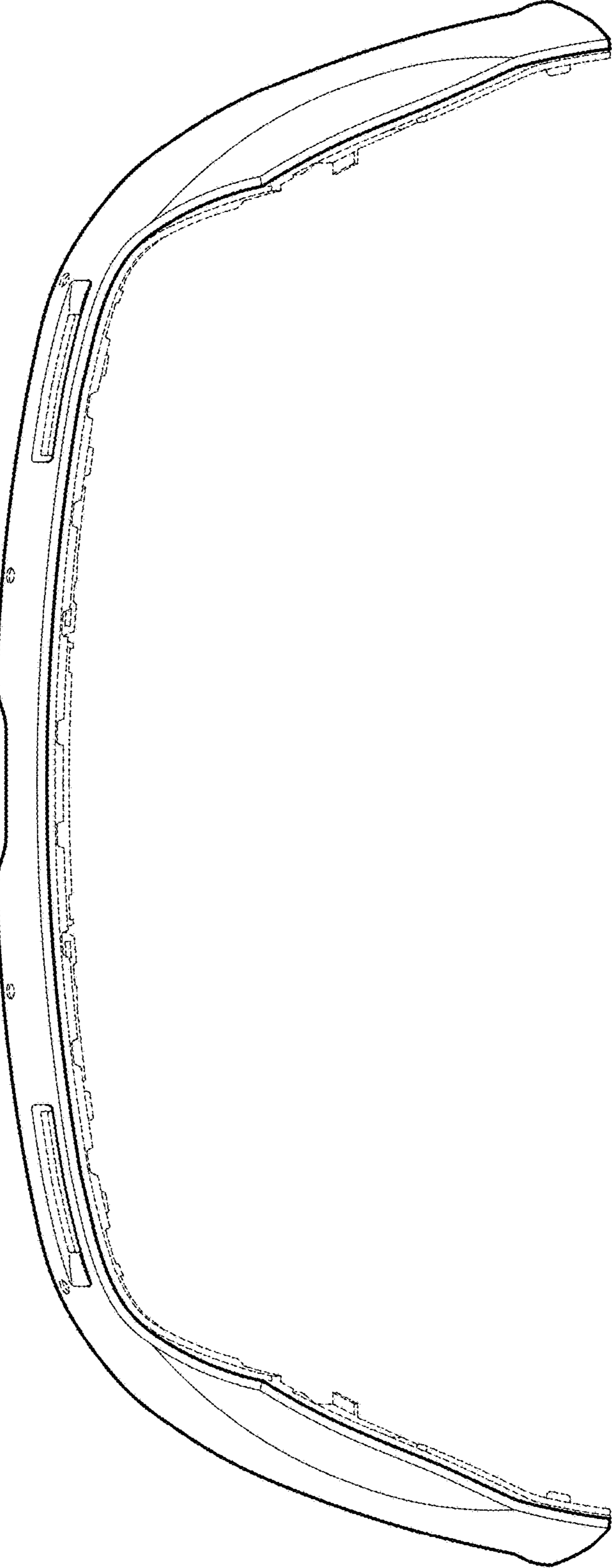


FIG. 4