



US00D811957S

(12) **United States Design Patent** (10) **Patent No.:** **US D811,957 S**  
**Whitla et al.** (45) **Date of Patent:** **\*\* Mar. 6, 2018**

(54) **VEHICLE FRONT BUMPER**  
(71) Applicant: **GM GLOBAL TECHNOLOGY OPERATIONS LLC**, Detroit, MI (US)  
(72) Inventors: **Guy W. Whitla**, Rochester Hills, MI (US); **Takahiko Suginoshita**, Rochester Hills, MI (US); **Chris Piscitelli**, West Bloomfield, MI (US)  
(73) Assignee: **GM Global Technology Operations LLC**, Detroit, MI (US)  
(\*\*) Term: **15 Years**  
(21) Appl. No.: **29/568,709**  
(22) Filed: **Jun. 21, 2016**  
(51) **LOC (11) Cl.** ..... **12-16**  
(52) **U.S. Cl.**  
USPC ..... **D12/169**  
(58) **Field of Classification Search**  
USPC .... D12/169, 216, 90-92, 86, 171, 196, 163; 293/102, 113, 115, 117, 120; 296/180.1, 296/180.2  
CPC ..... B60R 19/02; B60R 19/04; B62D 25/08  
See application file for complete search history.

D608,249 S 1/2010 Peters  
D608,690 S 1/2010 Folden et al.  
D608,691 S 1/2010 Zak, Jr. et al.  
D609,608 S 2/2010 Boniface et al.  
D611,387 S 3/2010 Thompson et al.  
D611,879 S 3/2010 Kim et al.  
D612,297 S 3/2010 Peters et al.  
D613,645 S 4/2010 Song et al.  
D615,458 S 5/2010 Thompson et al.  
D618,595 S 6/2010 Ware et al.  
D623,090 S 9/2010 Cox et al.  
D627,262 S 11/2010 Ikeda et al.  
D633,013 S \* 2/2011 Bauer ..... D12/169  
D635,488 S 4/2011 Phipps  
D644,147 S 8/2011 Suh et al.  
D644,567 S 9/2011 Kozub  
D656,871 S \* 4/2012 Fetherston ..... D12/169  
D657,718 S 4/2012 Zipfel et al.  
D659,052 S 5/2012 Ware et al.  
D659,053 S 5/2012 Ware et al.  
D664,901 S \* 8/2012 Futschik ..... D12/169  
D668,182 S 10/2012 Barba Franco et al.  
D668,183 S 10/2012 Smart

(Continued)

*Primary Examiner* — Melody N Brown  
(74) *Attorney, Agent, or Firm* — Reising Ethington P.C.

(57) **CLAIM**

The ornamental design for a vehicle front bumper, as shown and described.

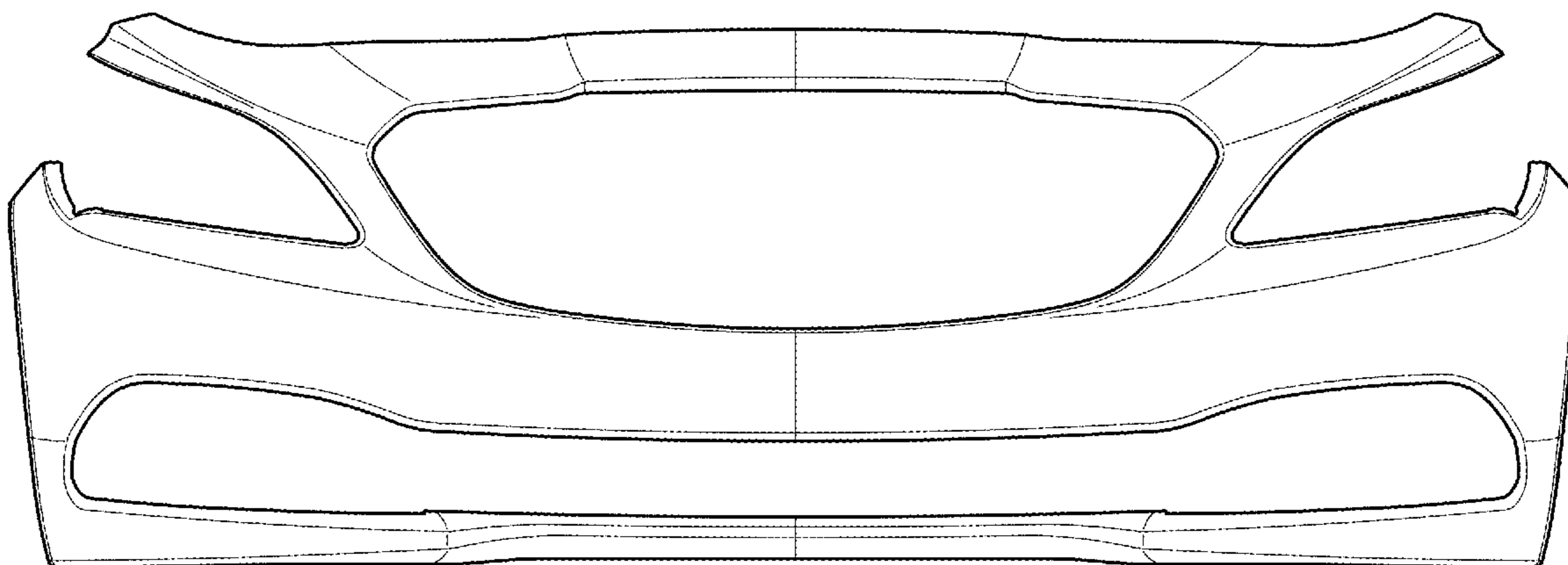
**DESCRIPTION**

FIG. 1 is a perspective view of a vehicle front bumper showing our new design;  
FIG. 2 is a front view thereof;  
FIG. 3 is a left side elevational view thereof, the right side view being a mirror image thereof; and,  
FIG. 4 is a top plan view thereof.  
In the drawings, the portions shown by broken lines form no part of the claimed design.

**1 Claim, 3 Drawing Sheets**

(56) **References Cited**  
U.S. PATENT DOCUMENTS

D570,742 S 6/2008 Takagi et al.  
D592,105 S 5/2009 Dean et al.  
D597,447 S 8/2009 Folden  
D600,595 S 9/2009 Nakamura et al.  
D601,925 S 10/2009 O'Donnell  
D603,755 S 11/2009 Peters  
D604,203 S 11/2009 O'Donnell  
D605,082 S 12/2009 Munson  
D605,083 S 12/2009 Manoogian, II et al.  
D605,977 S 12/2009 Zipfel et al.  
D605,978 S 12/2009 Wolff et al.



(56)

References Cited

U.S. PATENT DOCUMENTS

D670,627 S	*	11/2012	Fetherston .....	D12/169	D735,627 S	8/2015	Smith	
D678,820 S		3/2013	Son et al.		D736,451 S	8/2015	Smith	
D678,821 S		3/2013	Ikeda et al.		D739,306 S	9/2015	McMahan et al.	
D680,909 S		4/2013	Munson et al.		D739,317 S	9/2015	McMahan et al.	
D680,910 S		4/2013	David		D741,223 S	10/2015	Kim et al.	
D684,899 S		6/2013	Baker		D743,309 S	11/2015	Thole et al.	
D686,536 S		7/2013	McCabe et al.		D743,313 S	11/2015	Smith et al.	
D686,546 S	*	7/2013	Fetherston .....	D12/169	D743,314 S	11/2015	Thole et al.	
D688,992 S	*	9/2013	Hildebrand .....	D12/169	D743,857 S	11/2015	McMahan et al.	
D692,798 S		11/2013	Thurber		D744,158 S	11/2015	Willett et al.	
D692,799 S		11/2013	Smith et al.		D745,086 S	12/2015	Finos et al.	
D696,157 S		12/2013	Loeb		D745,719 S	12/2015	Boniface et al.	
D699,629 S		2/2014	Ikeda et al.		D745,725 S	12/2015	McMahan et al.	
D700,871 S		3/2014	O'Donnell et al.		D745,726 S	12/2015	McMahan et al.	
D702,161 S	*	4/2014	Hanaoka .....	D12/169	D745,837 S	* 12/2015	Smith .....	D12/169
D703,103 S		4/2014	Lee		D746,726 S	1/2016	Smith et al.	
D704,103 S		5/2014	Mack et al.		D746,727 S	1/2016	Smith et al.	
D705,132 S		5/2014	Ware et al.		D746,728 S	1/2016	Smith et al.	
D705,699 S		5/2014	Ware et al.		D746,729 S	1/2016	Boniface et al.	
D711,796 S	*	8/2014	Futschik .....	D12/169	D746,730 S	1/2016	Kim et al.	
D713,298 S		9/2014	Dyson		D747,514 S	1/2016	McMahan et al.	
D713,764 S		9/2014	Ferlazzo et al.		D747,515 S	1/2016	McMahan et al.	
D716,696 S		11/2014	Thole et al.		D747,819 S	1/2016	Thole et al.	
D716,706 S		11/2014	Thole et al.		D749,021 S	2/2016	Boniface et al.	
D716,709 S		11/2014	Thole et al.		D749,026 S	2/2016	Smith et al.	
D717,696 S		11/2014	Thole et al.		D749,027 S	2/2016	McMahan et al.	
D718,189 S		11/2014	Krieg et al.		D749,246 S	2/2016	Thole et al.	
D718,683 S		12/2014	Thole et al.		D749,249 S	2/2016	Thole et al.	
D722,282 S		2/2015	Loeb		D749,250 S	2/2016	Thole et al.	
D722,533 S		2/2015	Thole et al.		D749,985 S	2/2016	Kozub et al.	
D722,534 S		2/2015	Munson et al.		D749,997 S	2/2016	McMahan et al.	
D724,503 S	*	3/2015	Hall .....	D12/169	D750,000 S	* 2/2016	Han .....	D12/169
D724,510 S		3/2015	McMahan et al.		D750,001 S	2/2016	Thole et al.	
D725,001 S		3/2015	McMahan et al.		D750,538 S	* 3/2016	Buck .....	D12/169
D726,591 S		4/2015	Jacob		D753,032 S	4/2016	Smith et al.	
D730,776 S		6/2015	Smart		D753,033 S	4/2016	Thole et al.	
D730,783 S		6/2015	Henriques et al.		D753,034 S	4/2016	Thole et al.	
D730,791 S	*	6/2015	Hammoud .....	D12/169	D753,035 S	4/2016	Boniface et al.	
D731,369 S	*	6/2015	Duff .....	D12/169	D753,559 S	4/2016	McMahan et al.	
D732,427 S		6/2015	Loeb		D753,560 S	4/2016	McMahan et al.	
D732,429 S		6/2015	Loeb		D753,567 S	4/2016	Boniface et al.	
D732,430 S		6/2015	Loeb		D754,571 S	4/2016	Boniface et al.	
D732,431 S		6/2015	Loeb		D754,572 S	4/2016	McMahan et al.	
D732,432 S		6/2015	Aengenheyster		D755,088 S	5/2016	McMahan et al.	
D732,433 S		6/2015	Aengenheyster		D756,869 S	5/2016	McMahan et al.	
D732,435 S		6/2015	Mackay		D757,616 S	* 5/2016	Lesnik .....	D12/169
D733,002 S		6/2015	Loeb		D758,260 S	* 6/2016	Lesnik .....	D12/169
D735,611 S		8/2015	Aengenheyster		D758,271 S	6/2016	McMahan et al.	
					D793,925 S	* 8/2017	Park .....	D12/169

\* cited by examiner

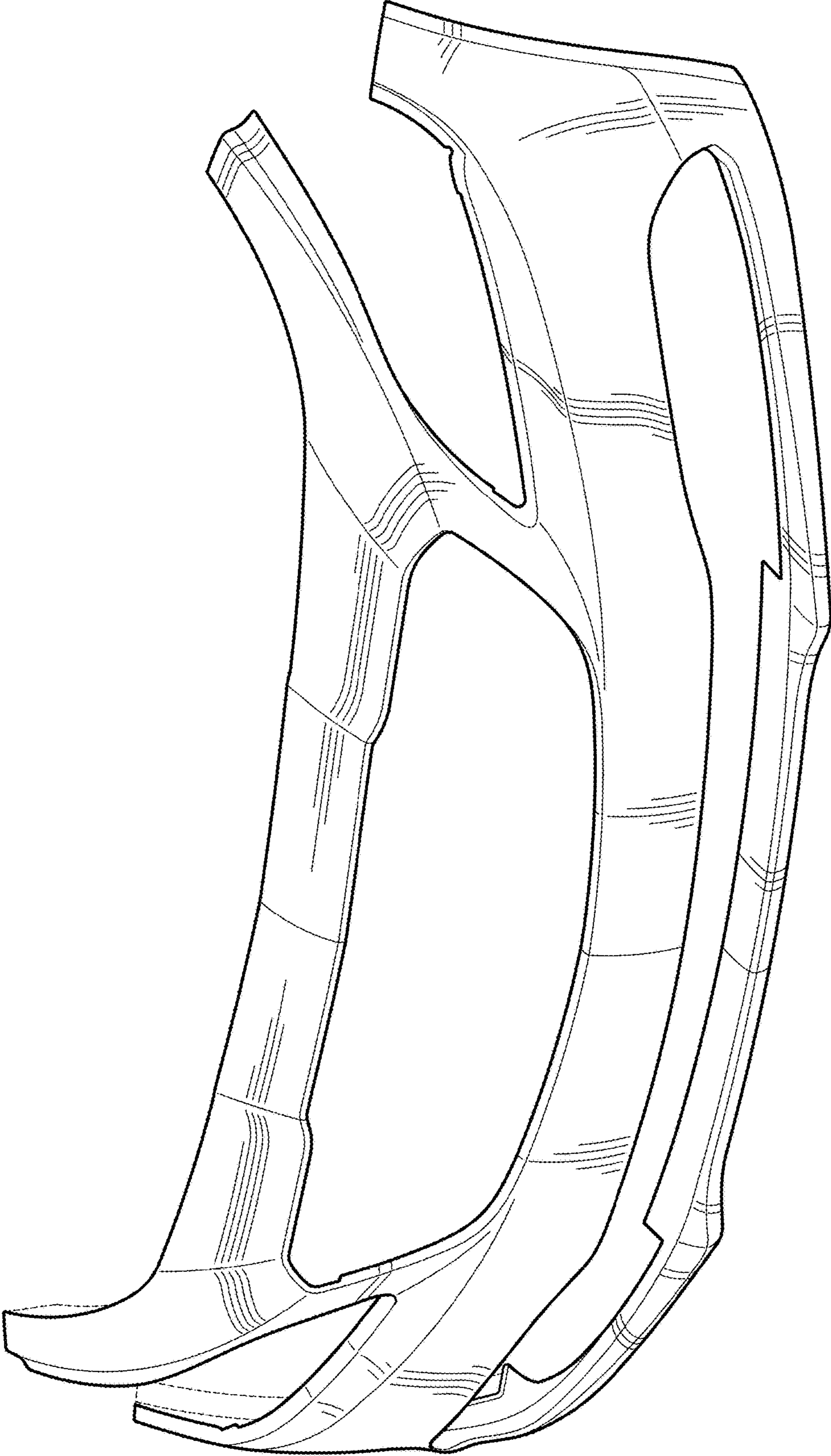


FIG. 1

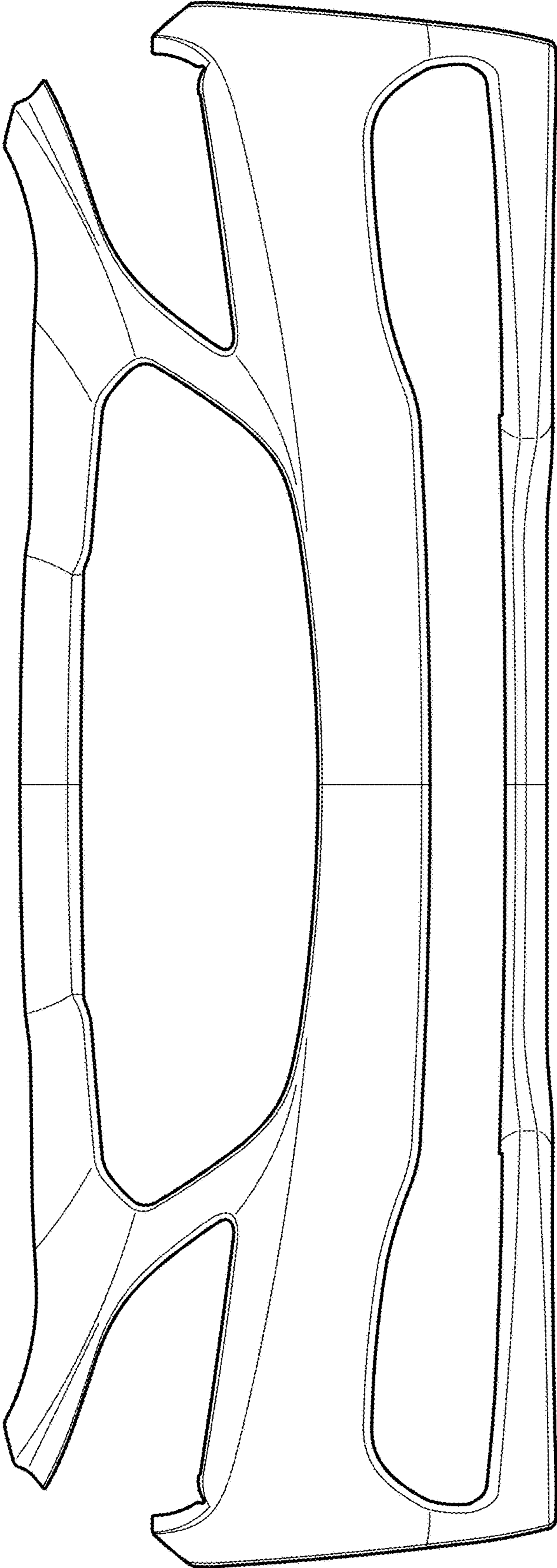


FIG. 2

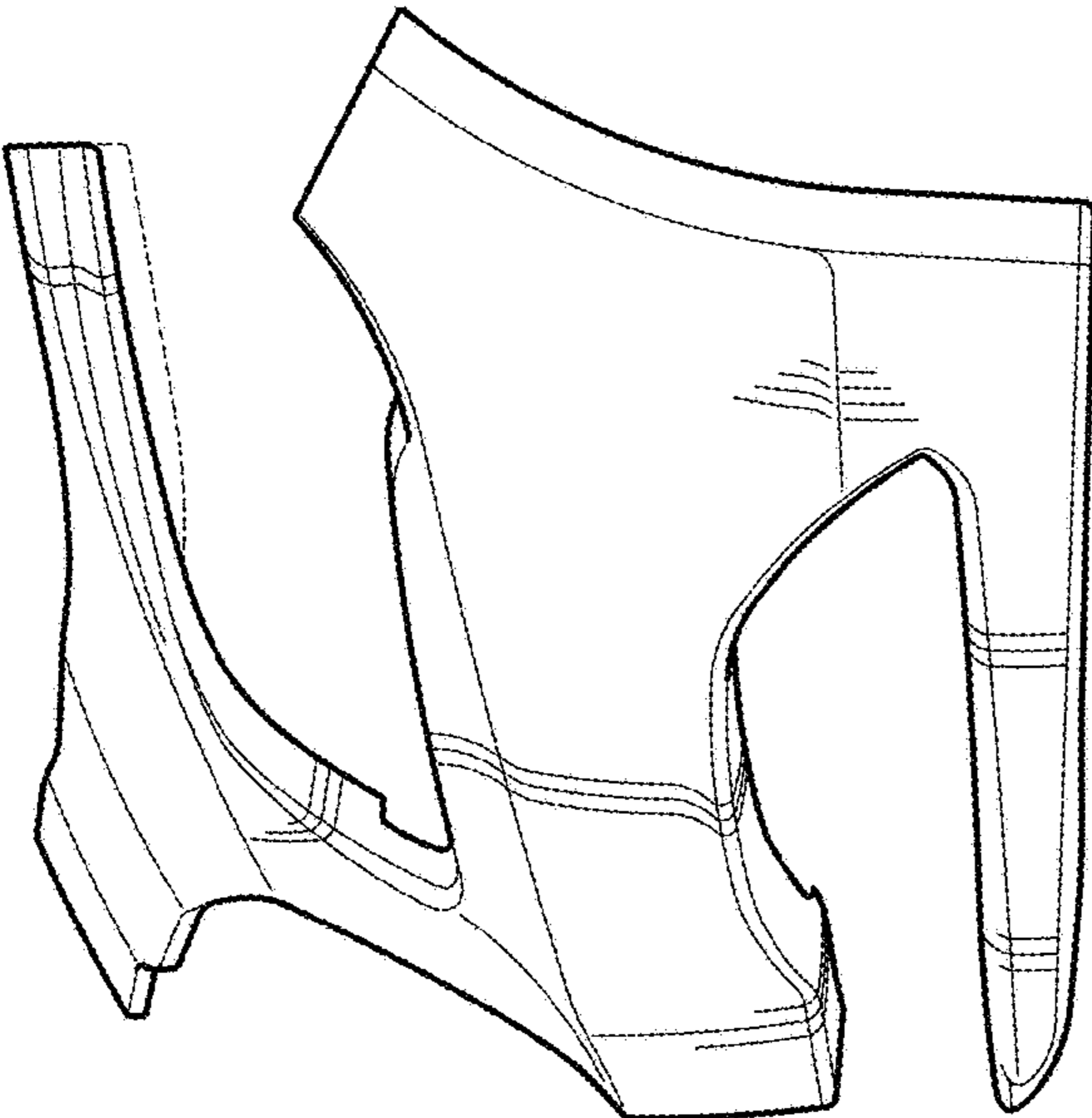


FIG. 3

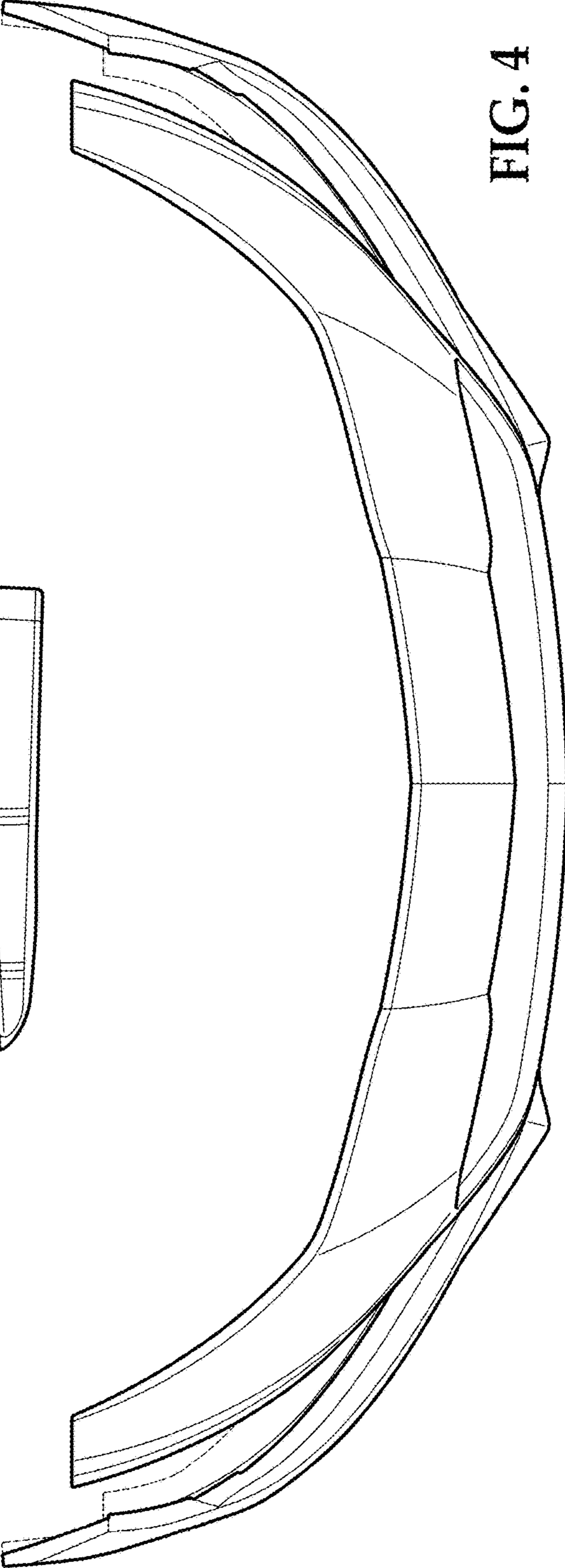


FIG. 4