



US00D811956S

(12) **United States Design Patent** (10) **Patent No.:** **US D811,956 S**
Zeng (45) **Date of Patent:** **** Mar. 6, 2018**

(54) **AUTOMOBILE REAR BUMPER**
(71) Applicant: **Chengdu Furinkazan Automobile Service Co., Ltd., Chengdu (CN)**
(72) Inventor: **Cheng Zeng, Chengdu (CN)**
(73) Assignee: **Chengdu Furinkazan Automobile Service Co., Ltd., Chengdu (CN)**
(**) Term: **15 Years**
(21) Appl. No.: **29/551,149**
(22) Filed: **Jan. 11, 2016**
(30) **Foreign Application Priority Data**
Jul. 17, 2015 (CN) 2015 3 0258142
(51) **LOC (11) Cl.** **12-16**
(52) **U.S. Cl.**
USPC **D12/169**
(58) **Field of Classification Search**
USPC D12/86-92, 163-172
CPC B60R 19/18; B60R 19/24; B60R 19/44;
B60R 19/48; B60R 19/56; B60R
2019/527; B60R 2019/1886; B62D
25/0845
See application file for complete search history.

(56) **References Cited**
U.S. PATENT DOCUMENTS
D300,128 S * 3/1989 Brennan D12/169
D360,865 S * 8/1995 Hanson D12/169
D454,098 S * 3/2002 McGuiness D12/171
D455,988 S * 4/2002 McGuiness D12/171
D590,752 S * 4/2009 Williams D12/169

7,703,834 B1 * 4/2010 Hardy B60R 9/06
296/102
D713,305 S * 9/2014 Sperling D12/169
D737,181 S * 8/2015 Smith D12/169
D751,012 S * 3/2016 Hare D12/169
D760,133 S * 6/2016 Bennett D12/171
D763,745 S * 8/2016 Lee, IV D12/169
D771,537 S * 11/2016 Hare D12/169
D775,016 S * 12/2016 Reynolds D12/171
D776,582 S * 1/2017 Bennett D12/169
D777,619 S * 1/2017 Barajas D12/167
D778,213 S * 2/2017 Platto D12/169
D781,757 S * 3/2017 Baggett D12/16
D786,745 S * 5/2017 Zeng D12/167
2009/0302623 A1 * 12/2009 Finney B60R 19/52
293/115

* cited by examiner

Primary Examiner — Darlington Ly
(74) *Attorney, Agent, or Firm* — Schmeiser, Olsen & Watts, LLP

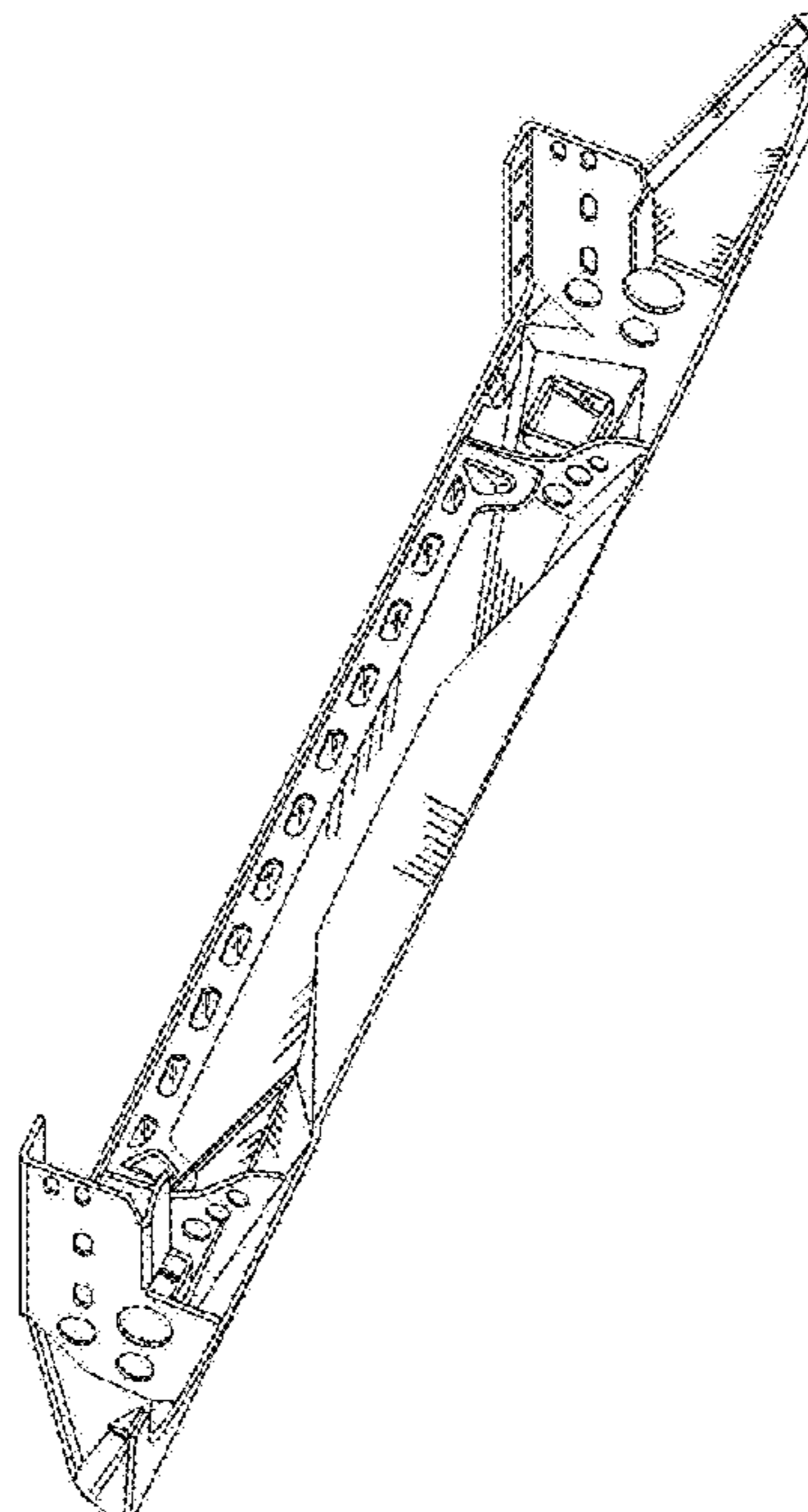
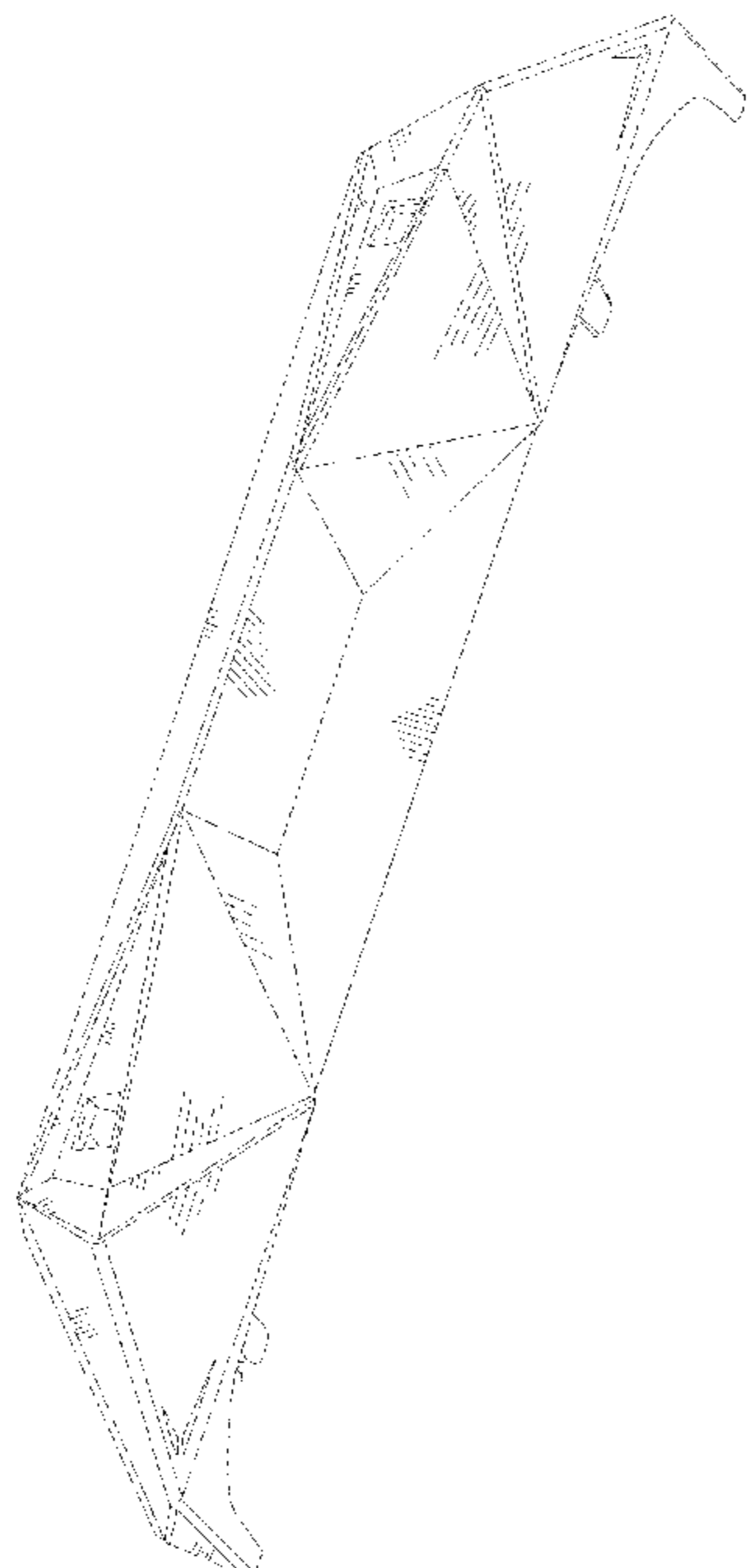
(57) **CLAIM**

The ornamental design for an automobile rear bumper, as shown and described.

DESCRIPTION

FIG. 1 is a front elevation view of an automobile rear bumper showing my new design;
FIG. 2 is a rear elevation view thereof;
FIG. 3 is a right side elevation view thereof;
FIG. 4 is a left side elevation view thereof;
FIG. 5 is a top plan view thereof;
FIG. 6 is a bottom plan view thereof;
FIG. 7 is a front perspective view thereof; and,
FIG. 8 is a rear perspective view thereof.

1 Claim, 8 Drawing Sheets



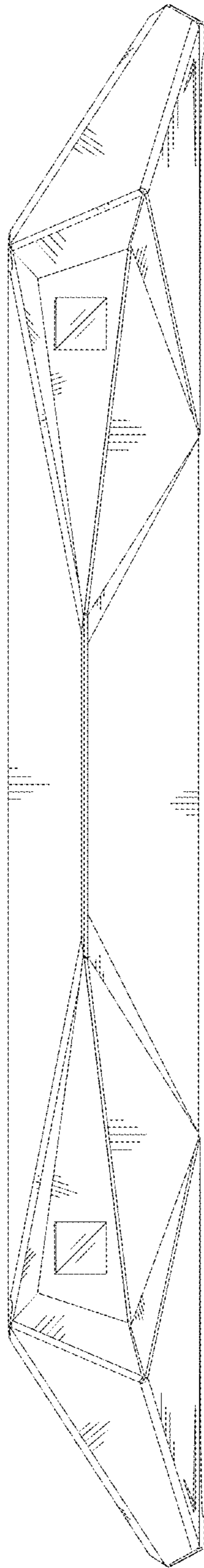


FIG. 1

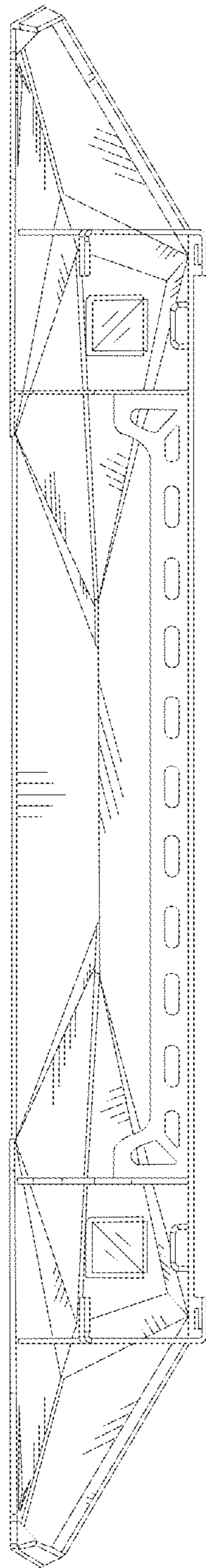


FIG. 2

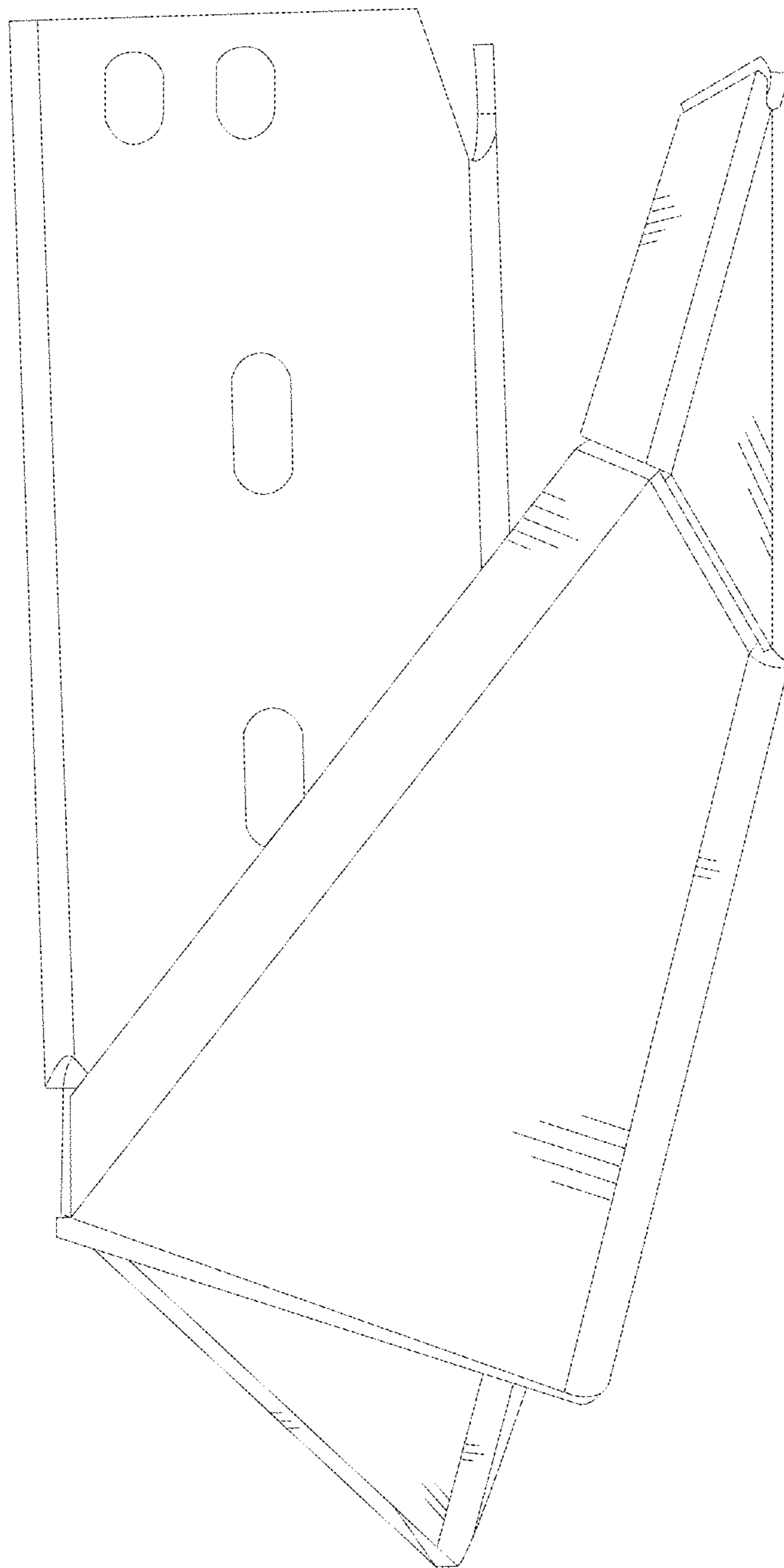


FIG. 3

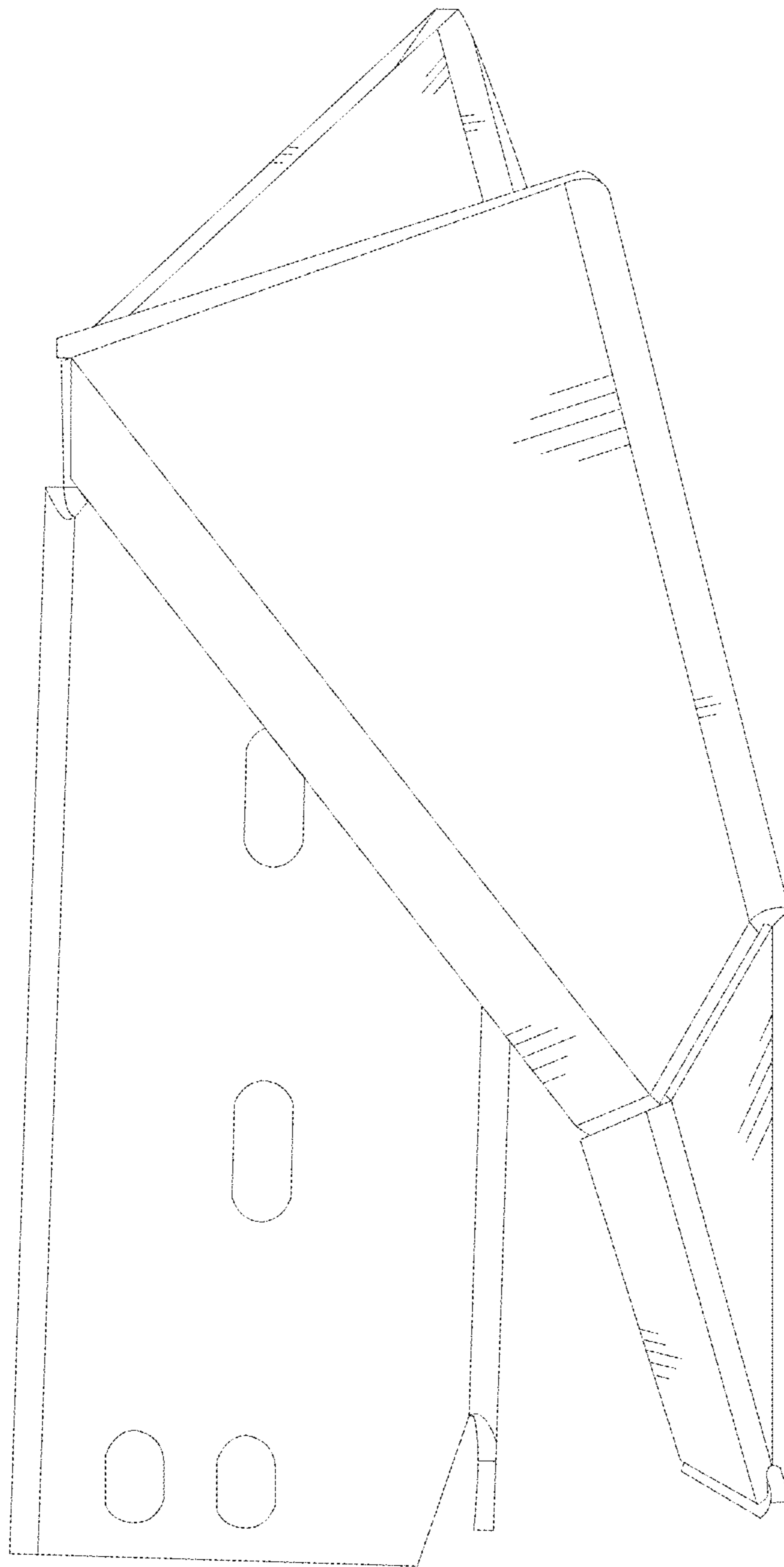


FIG. 4

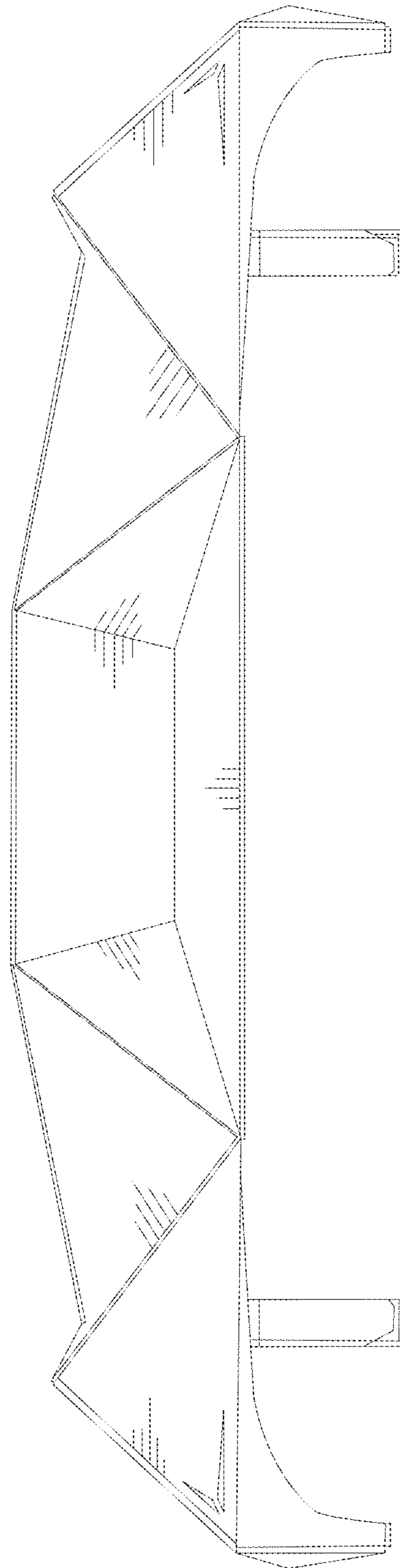


FIG. 5

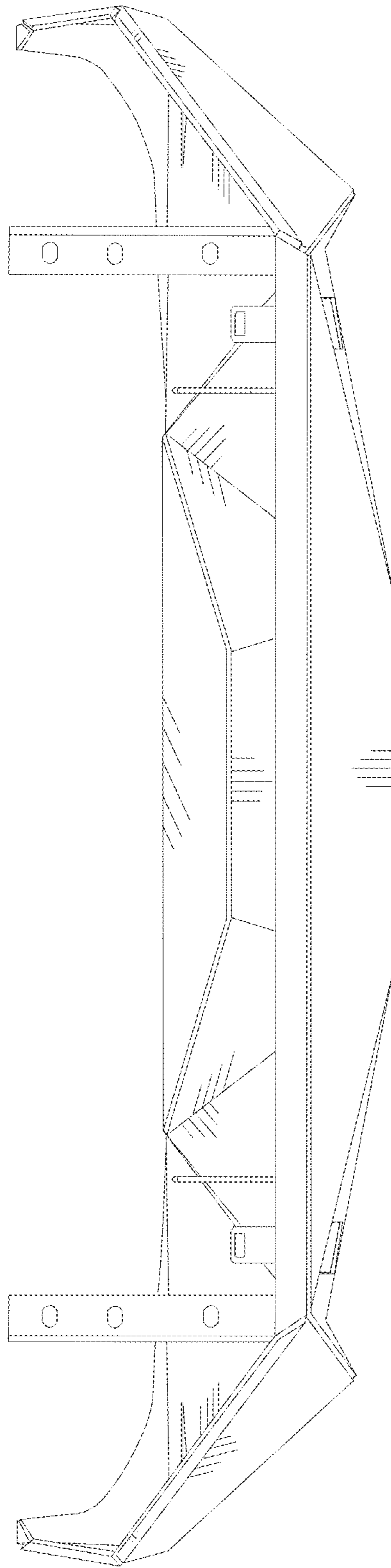


FIG. 6

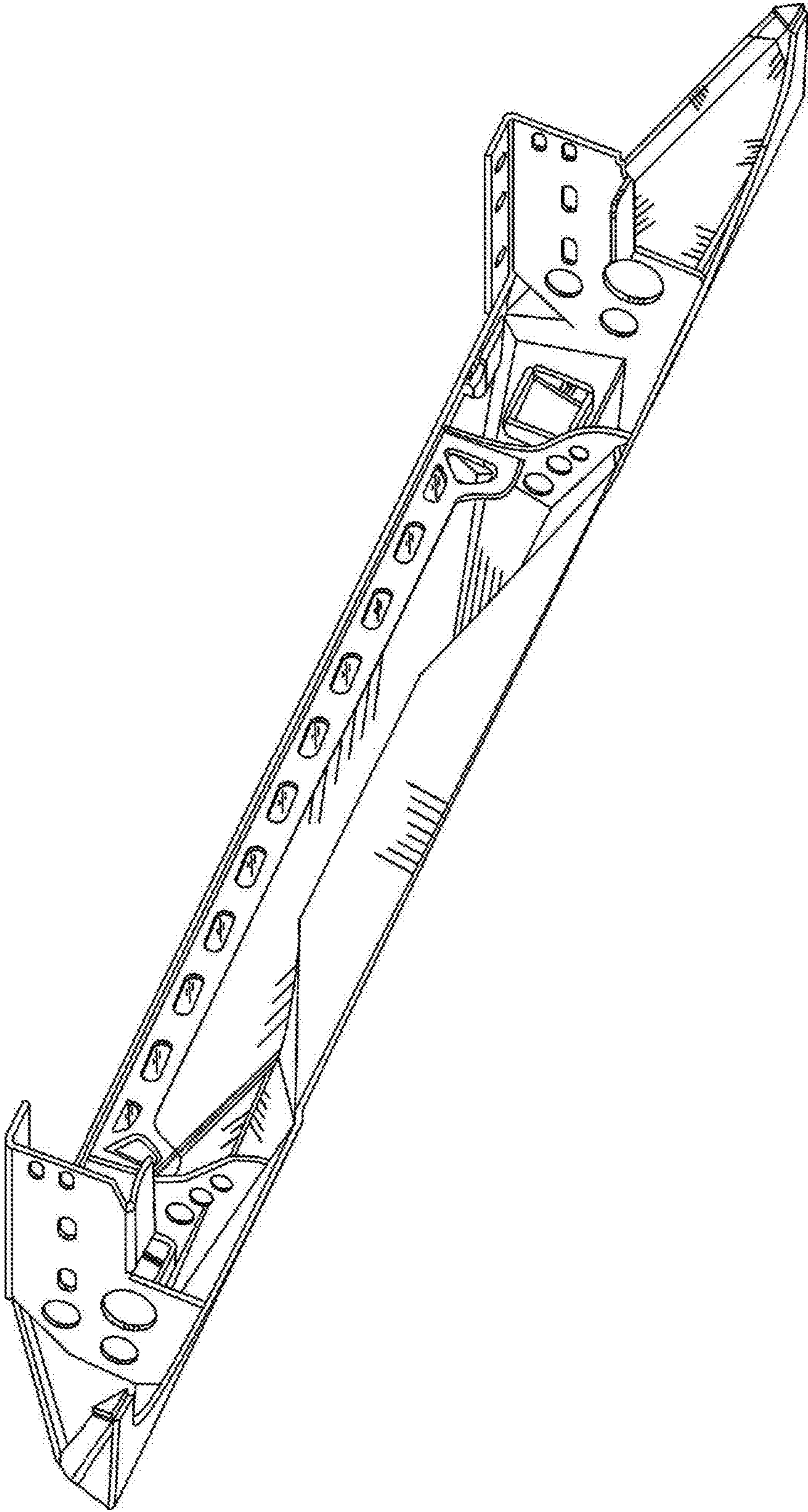


FIG. 8