



US00D811954S

(12) **United States Design Patent**  
**Park**

(10) **Patent No.:** **US D811,954 S**

(45) **Date of Patent:** **\*\* Mar. 6, 2018**

- (54) **RADIATOR GRILLE OF CAR**
- (71) Applicant: **GM GLOBAL TECHNOLOGY OPERATIONS LLC**, Detroit, MI (US)
- (72) Inventor: **Jinhyoung Park**, Incheon (KR)
- (73) Assignee: **GM GLOBAL TECHNOLOGY OPERATIONS LLC**, Detroit, MI (US)
- (\*\*) Term: **15 Years**
- (21) Appl. No.: **29/572,456**
- (22) Filed: **Jul. 28, 2016**
- (30) **Foreign Application Priority Data**

5,482,336	A *	1/1996	Rouse	.....	B60R 19/52
					180/68.5
6,027,150	A *	2/2000	Flewitt	.....	B60K 11/08
					180/68.6
6,167,645	B1 *	1/2001	Gasko	.....	B60R 13/105
					293/115
D500,268	S *	12/2004	Otto	.....	D12/163
D558,102	S *	12/2007	Lau	.....	D12/163
D580,308	S *	11/2008	Ebel	.....	D12/163
D596,998	S *	7/2009	Hasui	.....	D12/163
D605,992	S *	12/2009	Leng	.....	D12/173
D610,053	S *	2/2010	Sakae	.....	D12/163
D640,956	S *	7/2011	Leahy	.....	D12/163
D645,797	S *	9/2011	Beigel	.....	D12/163
D661,231	S *	6/2012	Galante	.....	D12/163
D683,668	S *	6/2013	Thurber	.....	D12/163
D686,543	S *	7/2013	Weil	.....	D12/163
D691,072	S *	10/2013	Cheng	.....	D12/163
D708,992	S *	7/2014	Ito	.....	D12/163
D726,601	S *	4/2015	Duff	.....	D12/163

(Continued)

Feb. 4, 2016 (KR) ..... 30-2016-0005684

- (51) **LOC (11) Cl.** ..... **12-16**
- (52) **U.S. Cl.**  
USPC ..... **D12/163**
- (58) **Field of Classification Search**  
USPC .... D12/86, 91, 93, 163, 164, 166, 167, 169,  
D12/171, 172, 173, 190, 216  
CPC ..... B62D 25/08; B62B 9/16; B60K 11/08;  
B60R 19/52  
See application file for complete search history.

*Primary Examiner* — Susan Bennett Hattan

*Assistant Examiner* — Suzanne E Tisdell

(74) *Attorney, Agent, or Firm* — Browdy and Neimark, PLLC

(57) **CLAIM**

The ornamental design for a radiator grille of car, as shown and described.

**DESCRIPTION**

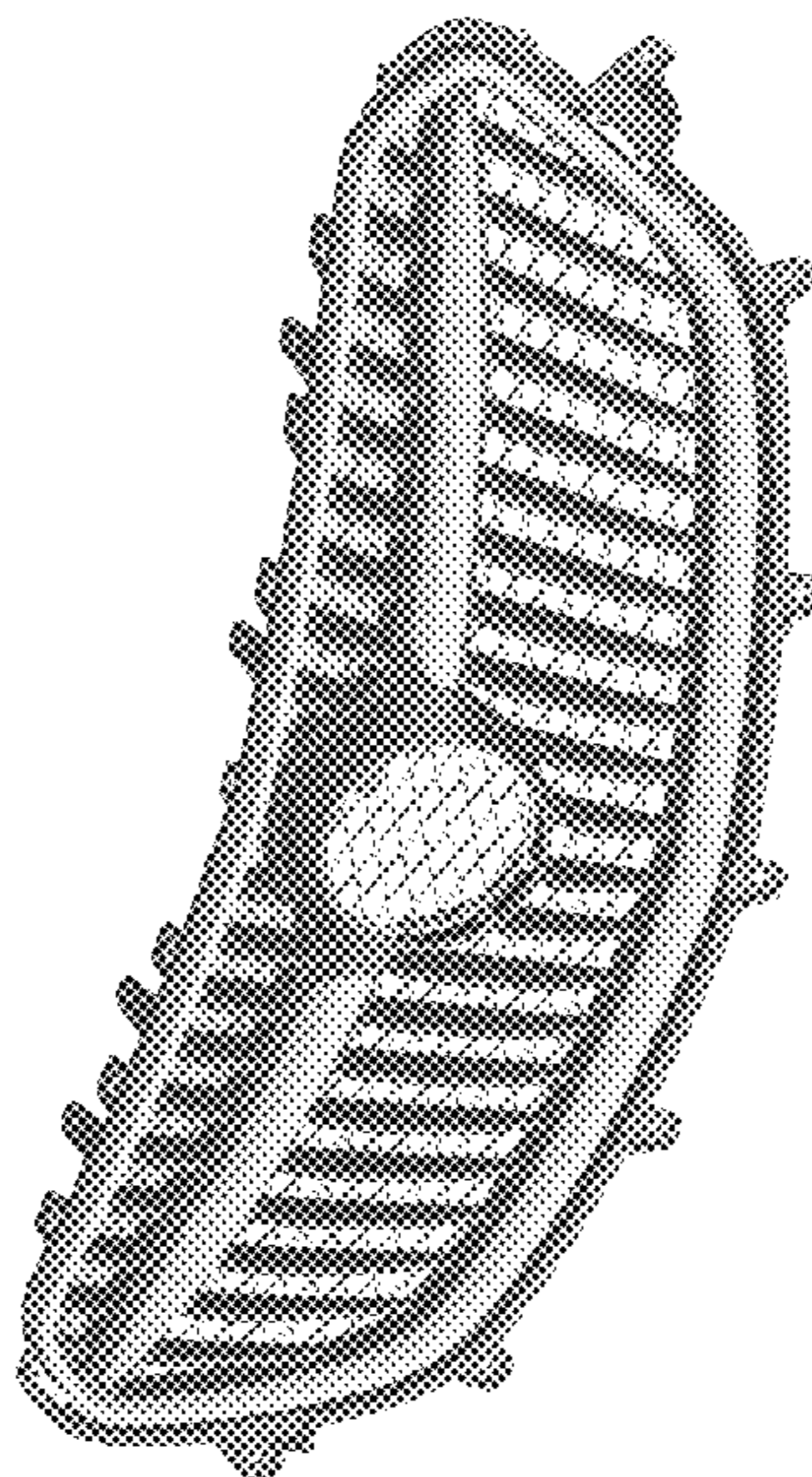
FIG. 1 is a perspective view of new design for a radiator grille of car as shown in the drawings;  
FIG. 2 is a front elevation view of the radiator grille of car;  
FIG. 3 is a rear elevation view of the radiator grille of car;  
FIG. 4 is a left side view of the radiator grille of car;  
FIG. 5 is a right side view of the radiator grille of car;  
FIG. 6 is a top plan view of the radiator grille of car; and,  
FIG. 7 is a bottom plan view of the radiator grille of car.

**1 Claim, 7 Drawing Sheets**

(56) **References Cited**

U.S. PATENT DOCUMENTS

2,537,553	A *	1/1951	Schonauer	.....	B60R 19/52
					180/68.6
4,168,855	A *	9/1979	Koch	.....	B60R 19/52
					293/115
5,193,636	A *	3/1993	Holm	.....	B60K 11/08
					180/68.1
5,452,931	A *	9/1995	Chase	.....	B60K 11/08
					180/68.6



(56)

**References Cited**

U.S. PATENT DOCUMENTS

D730,786	S *	6/2015	Duff	.....	D12/163
D746,730	S *	1/2016	Kim	.....	D12/163
D754,573	S *	4/2016	Wu	.....	D12/163
D759,550	S *	6/2016	Vena	.....	D12/163
D775,555	S *	1/2017	Myrberg	.....	D12/163
D787,384	S *	5/2017	Ito	.....	D12/163
D790,410	S *	6/2017	Ito	.....	D12/163
2004/0262061	A1 *	12/2004	Bahr	.....	B60K 11/08 180/69.2
2005/0006913	A1 *	1/2005	Otte	.....	B60R 19/52 293/115
2007/0115434	A1 *	5/2007	Oba	.....	B60R 13/00 352/243
2007/0182174	A1 *	8/2007	Nakayama	.....	B60R 19/52 293/115
2013/0293104	A1 *	11/2013	Wu	.....	B60Q 1/50 315/77
2016/0229223	A1 *	8/2016	Kajitani	.....	B44C 1/1712
2016/0257193	A1 *	9/2016	Prabhudesai	.....	B60K 11/04
2017/0072888	A1 *	3/2017	Wubs	.....	B60R 19/38

\* cited by examiner

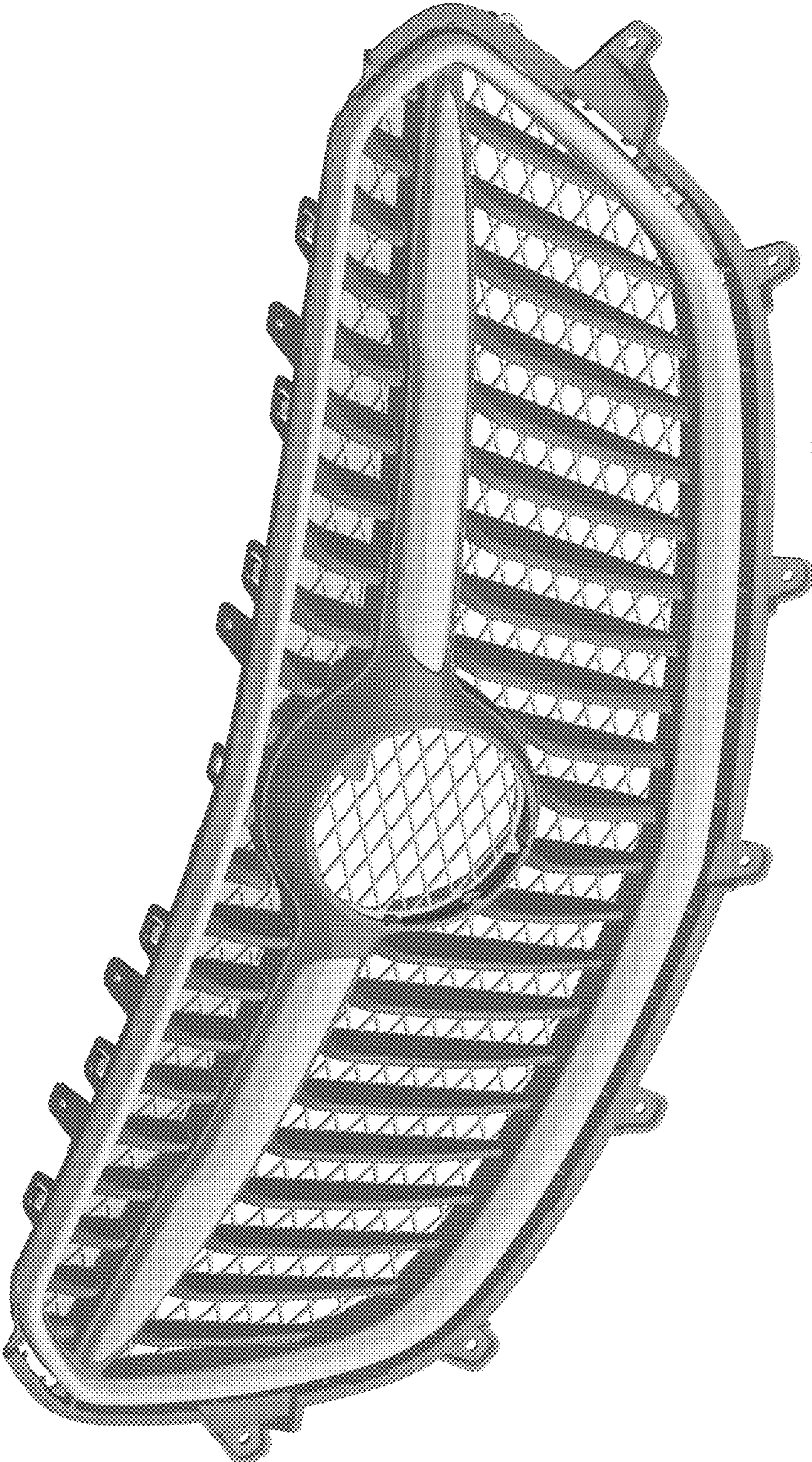


FIG. 1

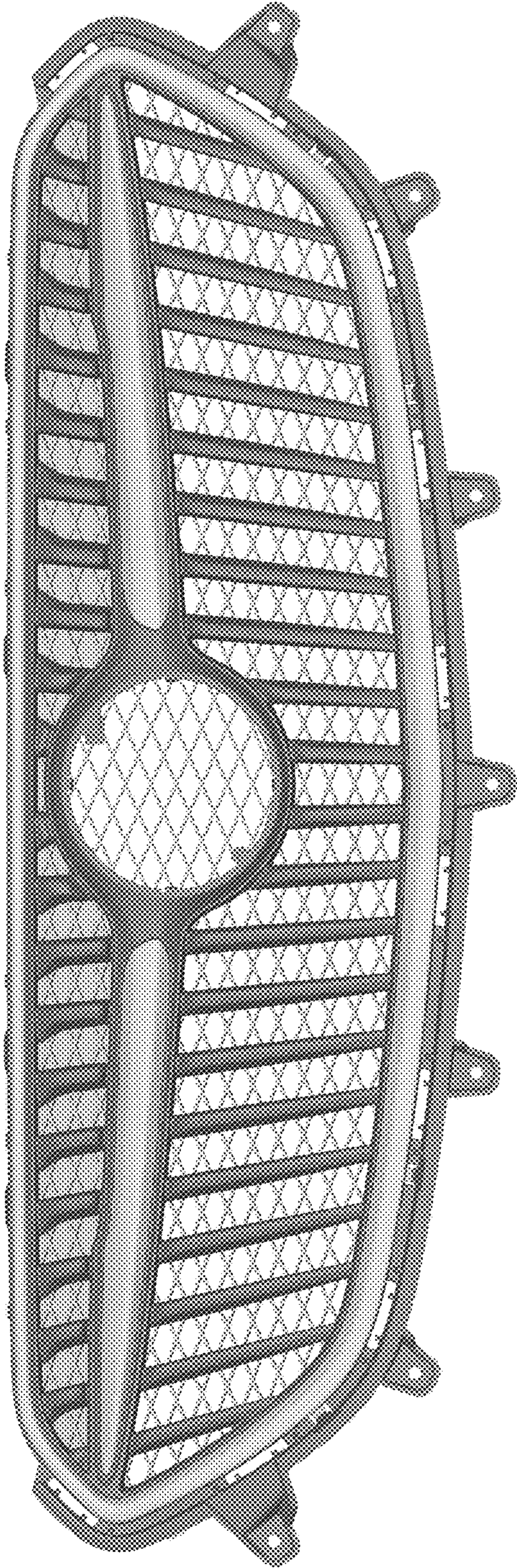


FIG. 2

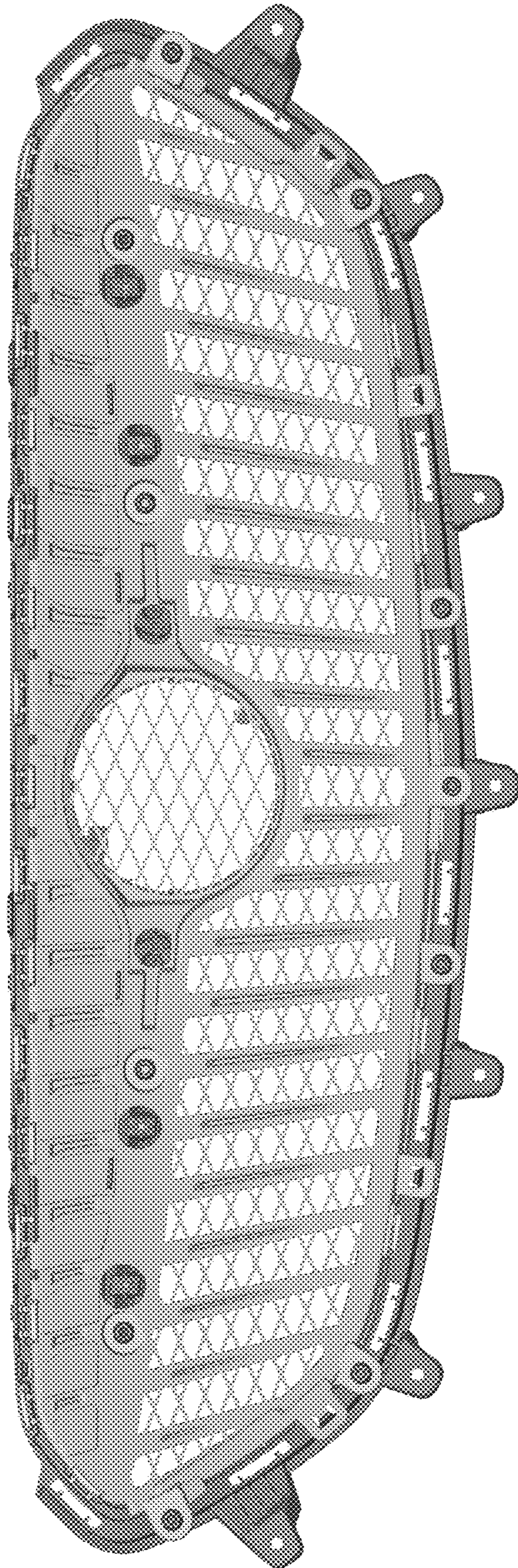


FIG. 3

FIG. 4

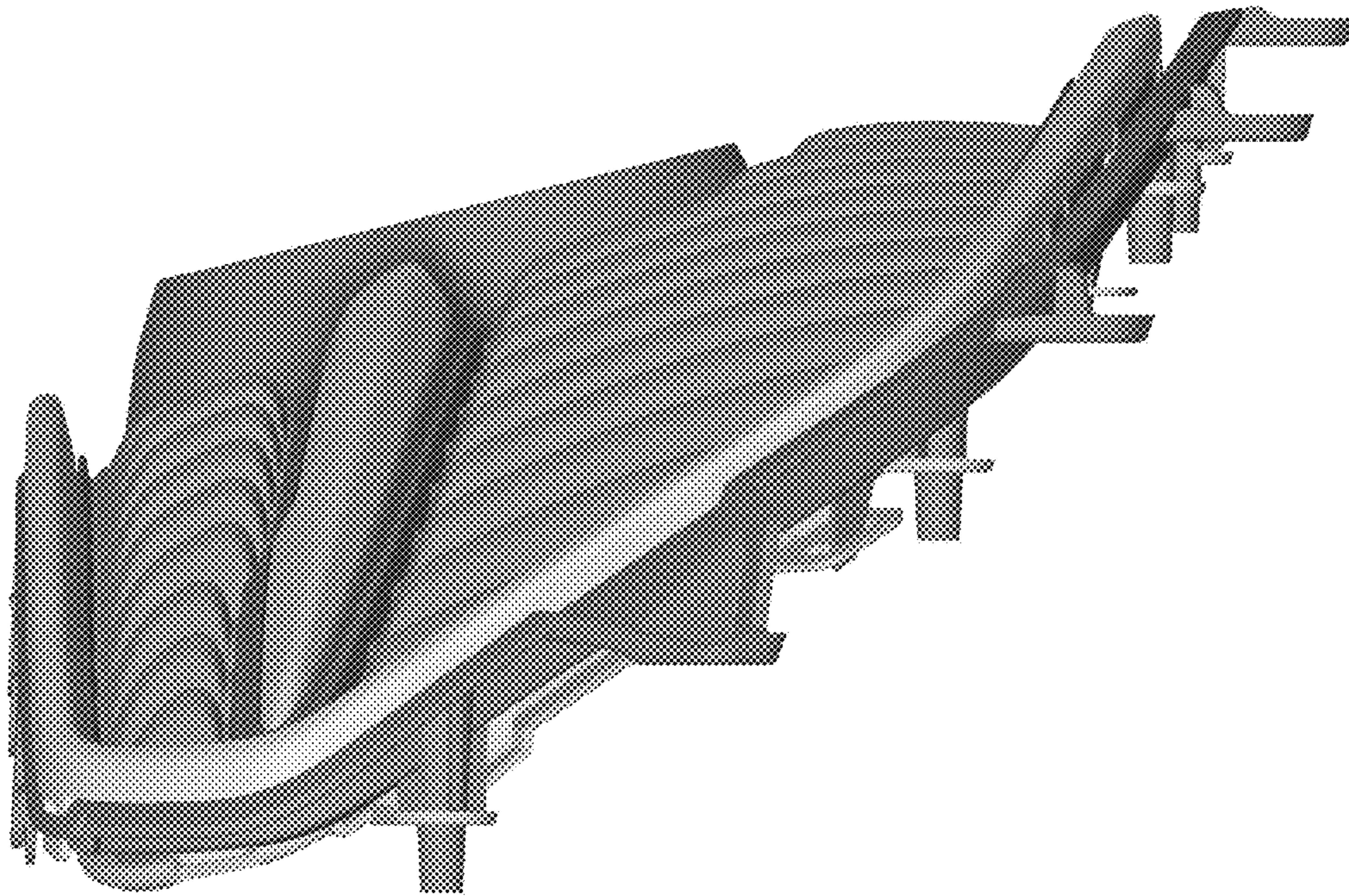
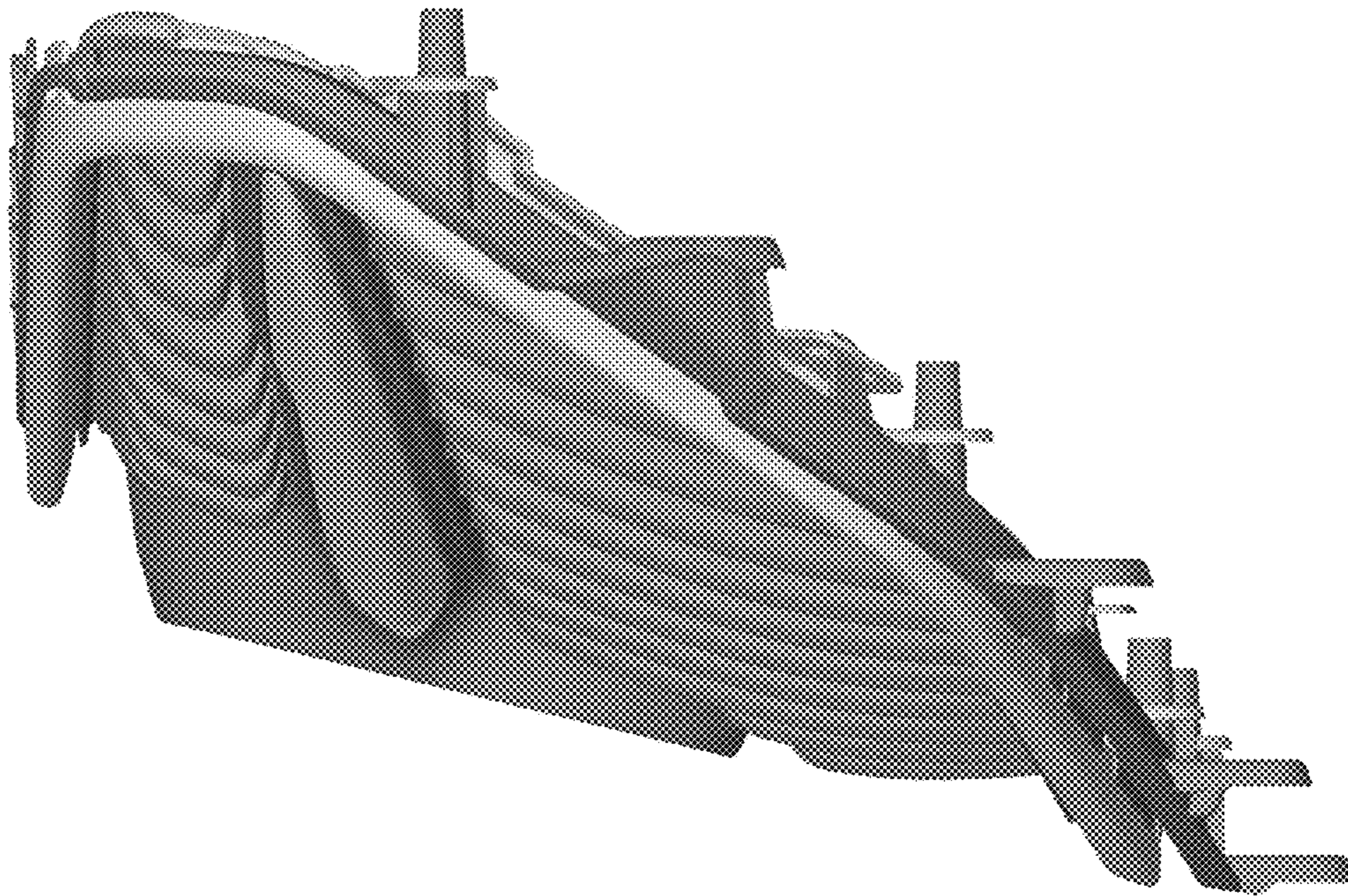


FIG. 5



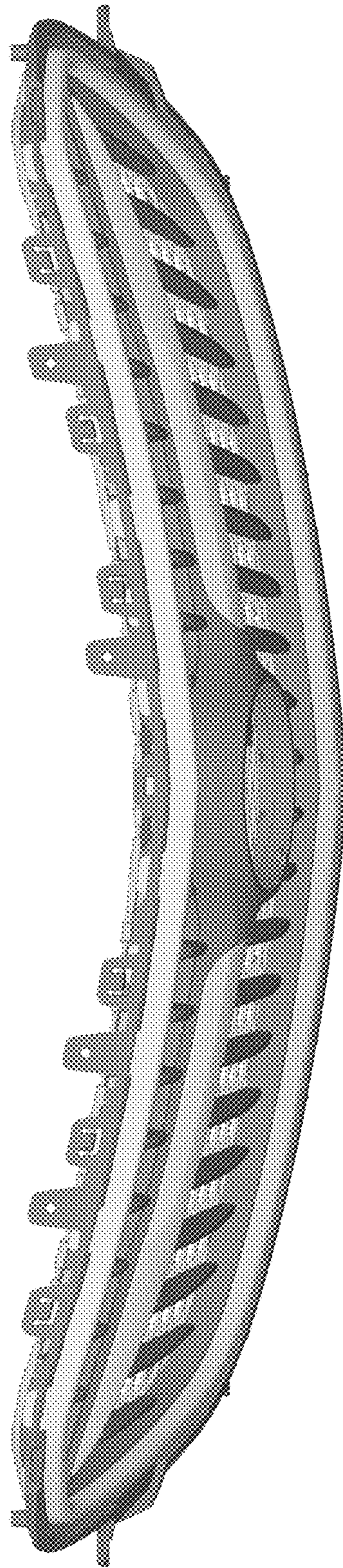


FIG. 6



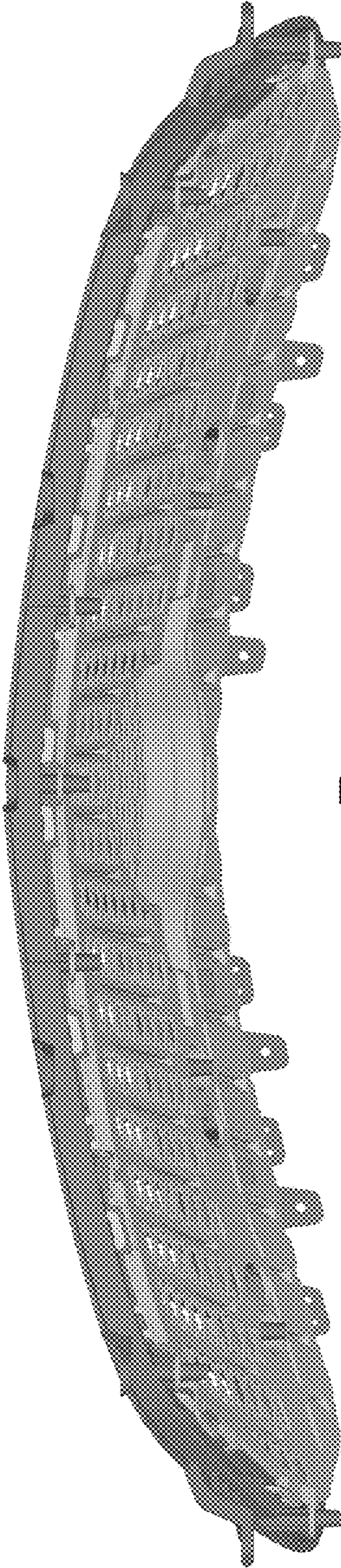


FIG. 7