



US00D811950S

(12) **United States Design Patent**  
**Hanson et al.**

(10) **Patent No.:** **US D811,950 S**  
(45) **Date of Patent:** **\*\* Mar. 6, 2018**

(54) **CONVERTIBLE STROLLER**

(71) Applicant: **Joller Stroller LLC**, Saint Paul, MN (US)

(72) Inventors: **Christy Hanson**, Saint Paul, MN (US); **Robert R. Roberts**, Saint Paul, MN (US); **Casimir August Sienkiewicz**, Minneapolis, MN (US); **Travis Ernest Yoch**, Woodbury, MN (US); **Peter Marshall Young**, Minnetonka, MN (US)

(73) Assignee: **Joller Stroller LLC**, St. Paul, MN (US)

(\*\*) Term: **15 Years**

(21) Appl. No.: **29/576,310**

(22) Filed: **Sep. 1, 2016**

(51) **LOC (11) Cl.** ..... **12-12**

(52) **U.S. Cl.**  
USPC ..... **D12/129**

(58) **Field of Classification Search**  
USPC ..... D12/128–133

(Continued)

(56) **References Cited**

**U.S. PATENT DOCUMENTS**

5,364,119 A 11/1994 Leu  
D419,113 S \* 1/2000 Everett ..... D12/129  
(Continued)

**FOREIGN PATENT DOCUMENTS**

DE 102005029448 A1 1/2007

**OTHER PUBLICATIONS**

Burley Design, LLC; Travoy Bike Trailer—Folding Bike Cargo Trailer; Webpage; <http://burley.com/product/travoy/>.

(Continued)

*Primary Examiner* — Charles Hanson

(74) *Attorney, Agent, or Firm* — Grumbles Law PLLC; Brittany Nanzig

(57) **CLAIM**

The ornamental design for a convertible stroller, as shown and described.

**DESCRIPTION**

FIG. 1 is a front elevational view of a convertible stroller in a pull-behind configuration showing our new design.

FIG. 2 is a back elevational view of the convertible stroller in a pull-behind configuration.

FIG. 3 is a left side elevational view of the convertible stroller in a pull-behind configuration; the right side elevational view is a mirror image of the left side elevational view.

FIG. 4 is a top elevational view of the convertible stroller in a pull-behind configuration.

FIG. 5 is a bottom elevational view of the convertible stroller in a pull-behind configuration.

FIG. 6 is a left side perspective view of the convertible stroller in a pull-behind configuration.

FIG. 7 is a left side perspective view of the convertible stroller in a pull-behind configuration.

FIG. 8 is a front elevational view of the convertible stroller in a push configuration.

FIG. 9 is a back elevational view of the convertible stroller in a push configuration.

FIG. 10 is a left side elevational view of the convertible stroller in a push configuration; the right side elevational view is a mirror image of the left side elevational view.

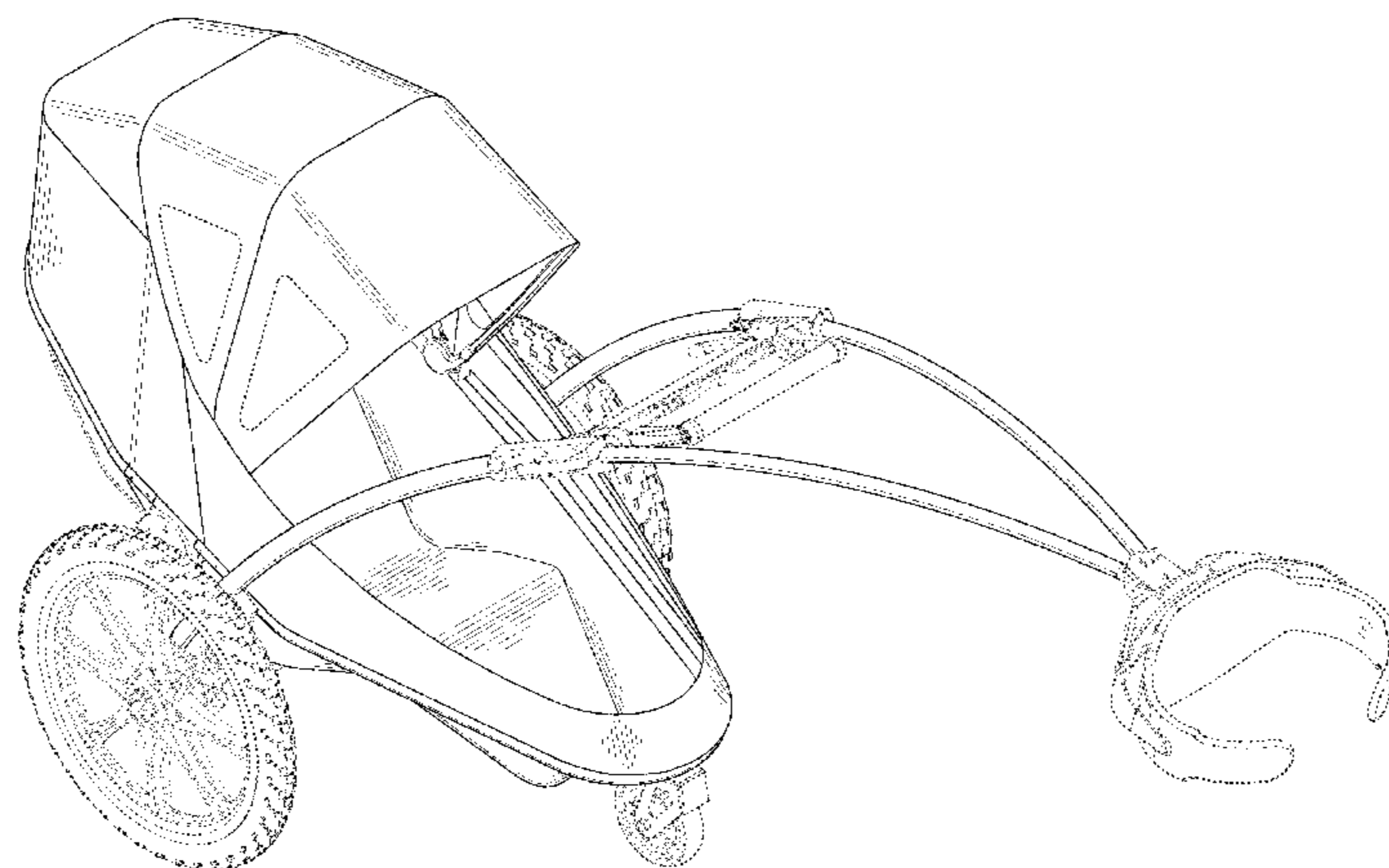
FIG. 11 is a top elevational view of the convertible stroller in a push configuration.

FIG. 12 is a bottom elevational view of the convertible stroller in a push configuration.

FIG. 13 is a left side perspective view of the convertible stroller in a push configuration; and,

FIG. 14 is a left side perspective view of the convertible stroller in a push configuration.

(Continued)



# US D811,950 S

Page 2

The broken line showing is included for the purpose of illustrating unclaimed subject matter and forms no part of the claimed design.

## 1 Claim, 14 Drawing Sheets

### (58) Field of Classification Search

CPC ..... B62B 7/00-7/04; B62B 9/00-9/28  
See application file for complete search history.

### (56) References Cited

#### U.S. PATENT DOCUMENTS

D452,194 S \* 12/2001 Stohr ..... D12/129  
D463,762 S \* 10/2002 Everett ..... D12/129  
6,779,804 B1 \* 8/2004 Liu ..... B60B 1/006  
16/35 R  
D506,418 S \* 6/2005 Liao ..... D12/129

7,077,420 B1 \* 7/2006 Santoski ..... B62B 7/062  
280/639  
7,083,175 B1 \* 8/2006 Liu ..... B60B 1/006  
16/35 R  
D529,844 S \* 10/2006 Chen ..... D12/129  
7,311,313 B1 12/2007 Ray et al.  
D564,948 S \* 3/2008 Liu ..... D12/129  
D587,635 S \* 3/2009 Gower ..... D12/129  
D723,746 S \* 3/2015 Jakubowski ..... D30/109  
D724,501 S \* 3/2015 Reinius ..... D12/129  
D735,621 S \* 8/2015 Yi ..... D12/129  
2009/0261540 A1 10/2009 Mejia  
2011/0210524 A1 9/2011 Mejia  
2014/0265167 A1 9/2014 Mejia  
2016/0101800 A1 4/2016 Caradec et al.

#### OTHER PUBLICATIONS

PCT International Application Serial No. PCT/US16/51396; International Search Report; Filed 069-12-2016.

\* cited by examiner

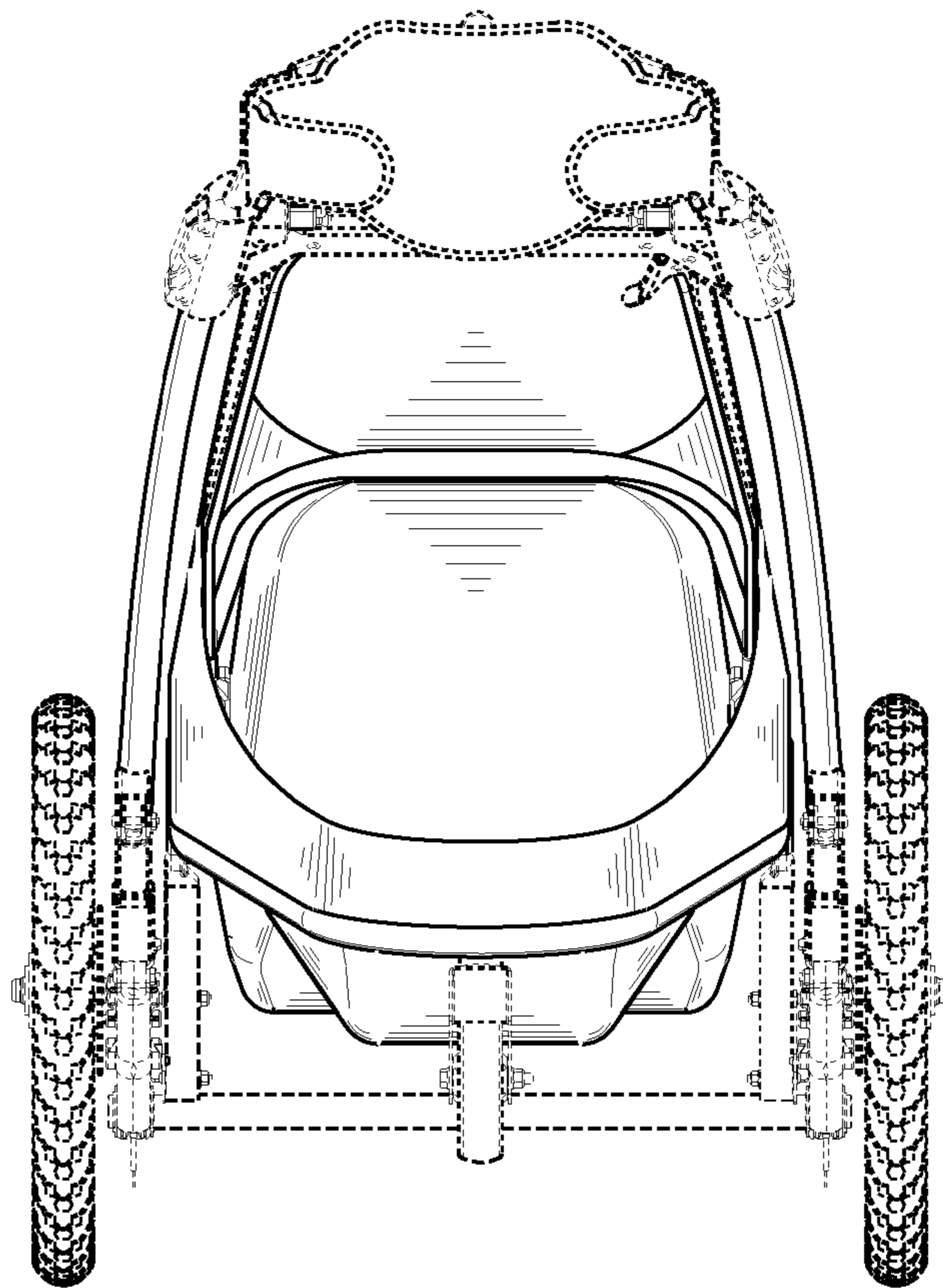


FIG. 1

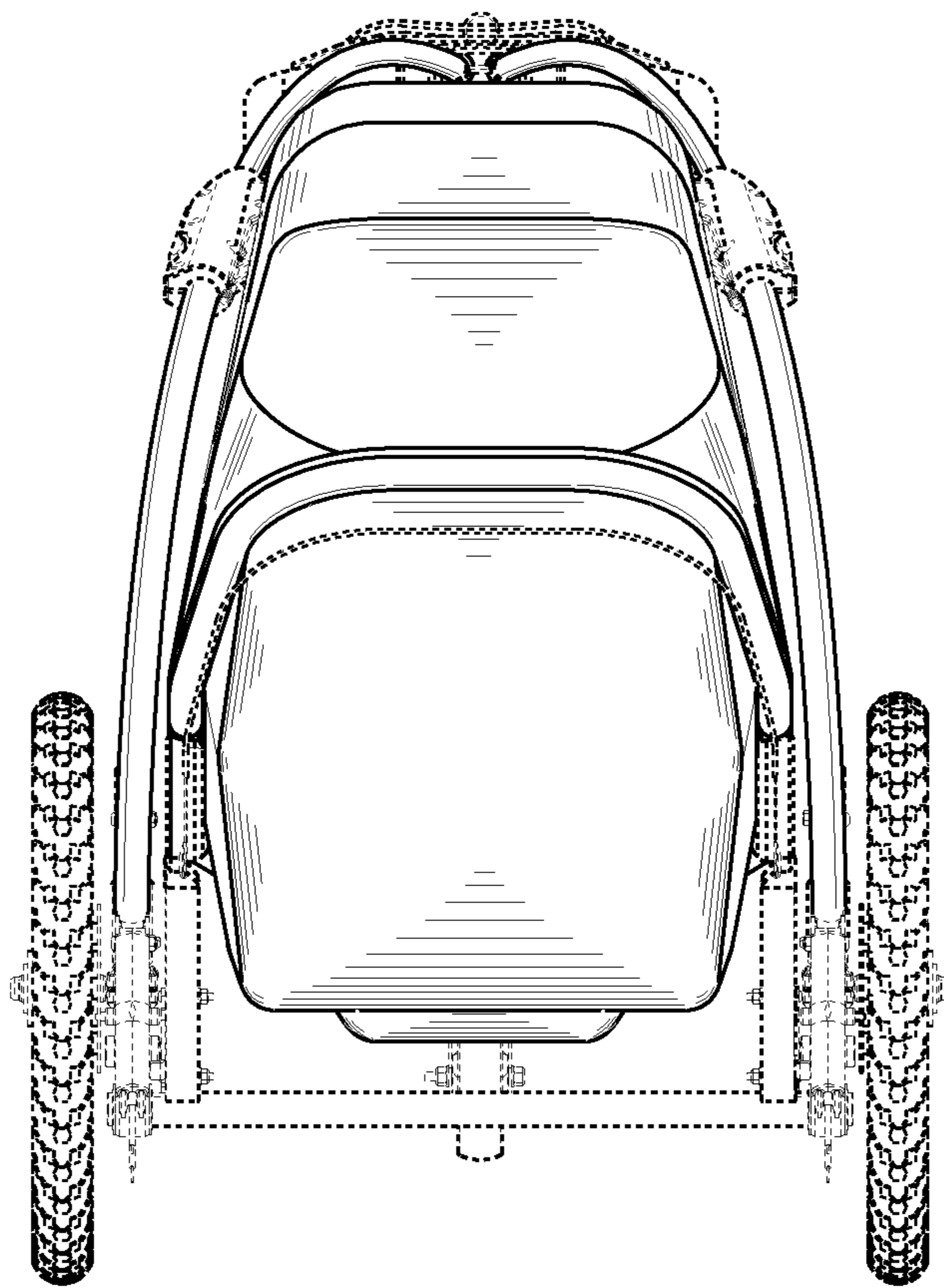


FIG. 2

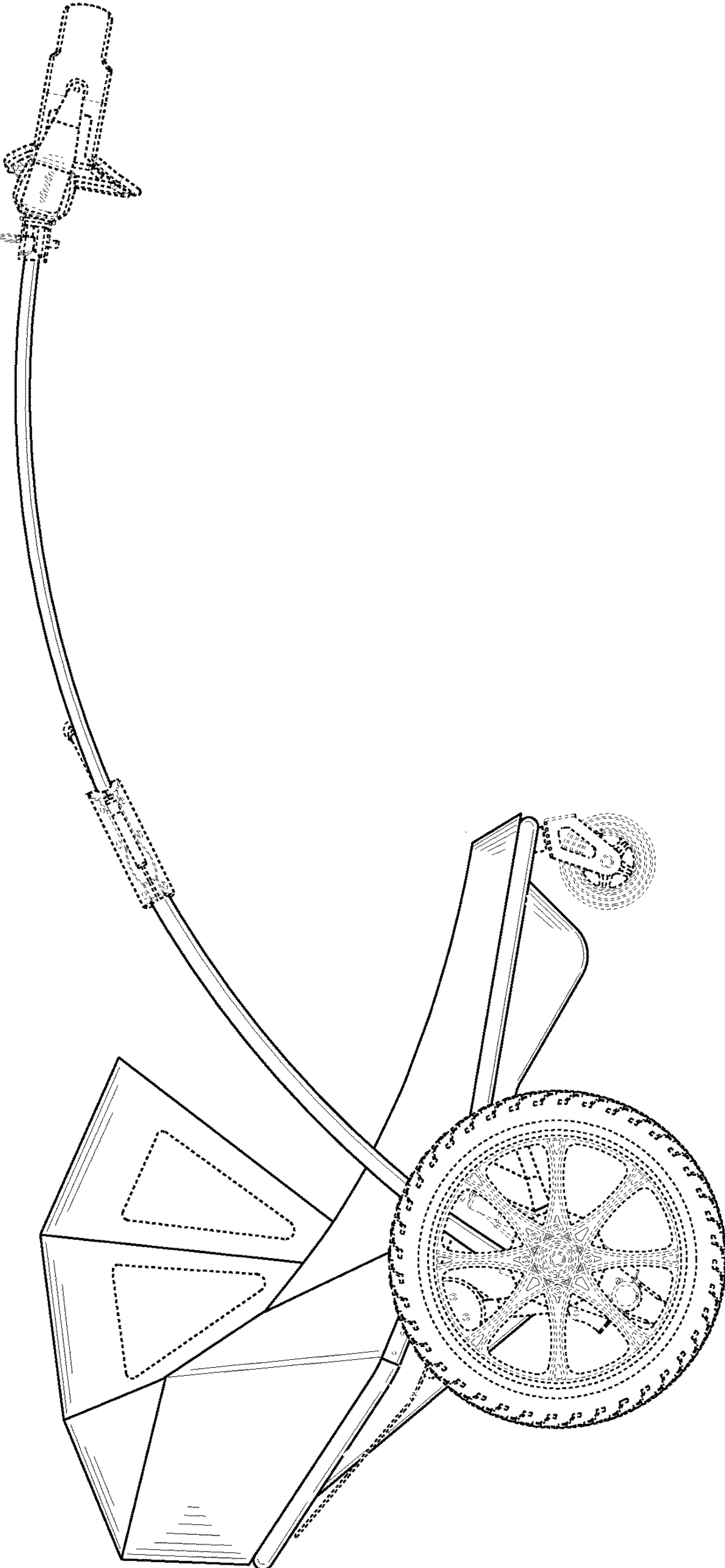


FIG. 3

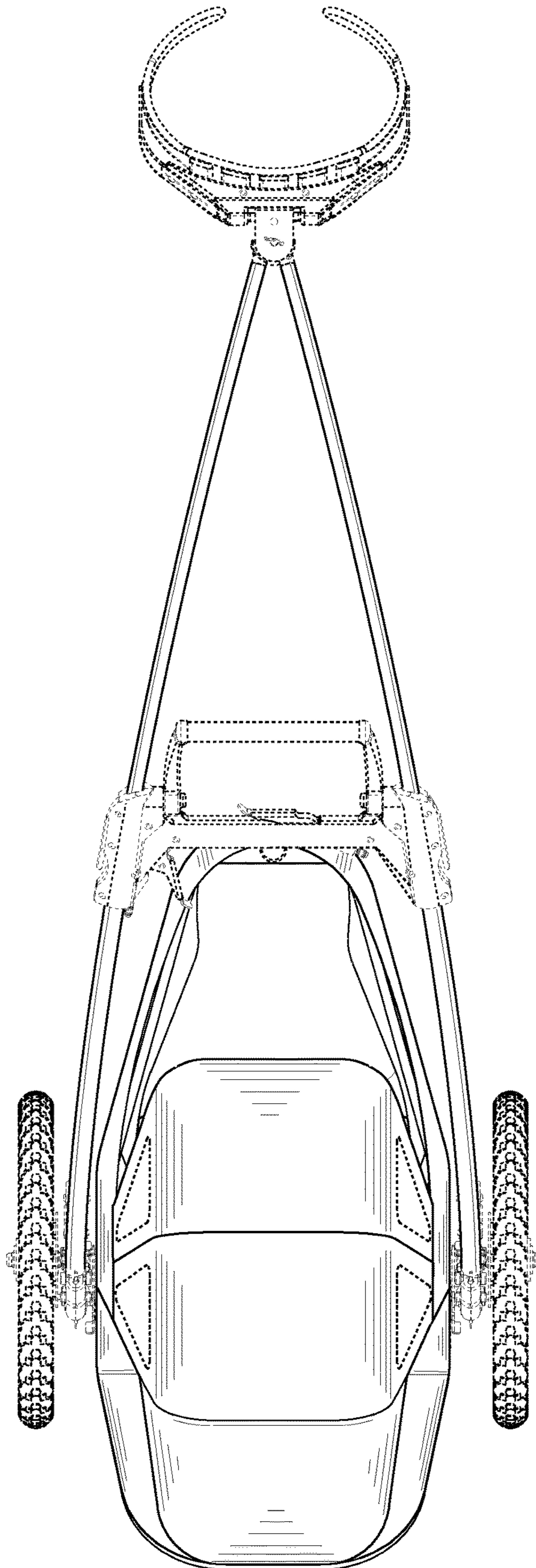


FIG. 4

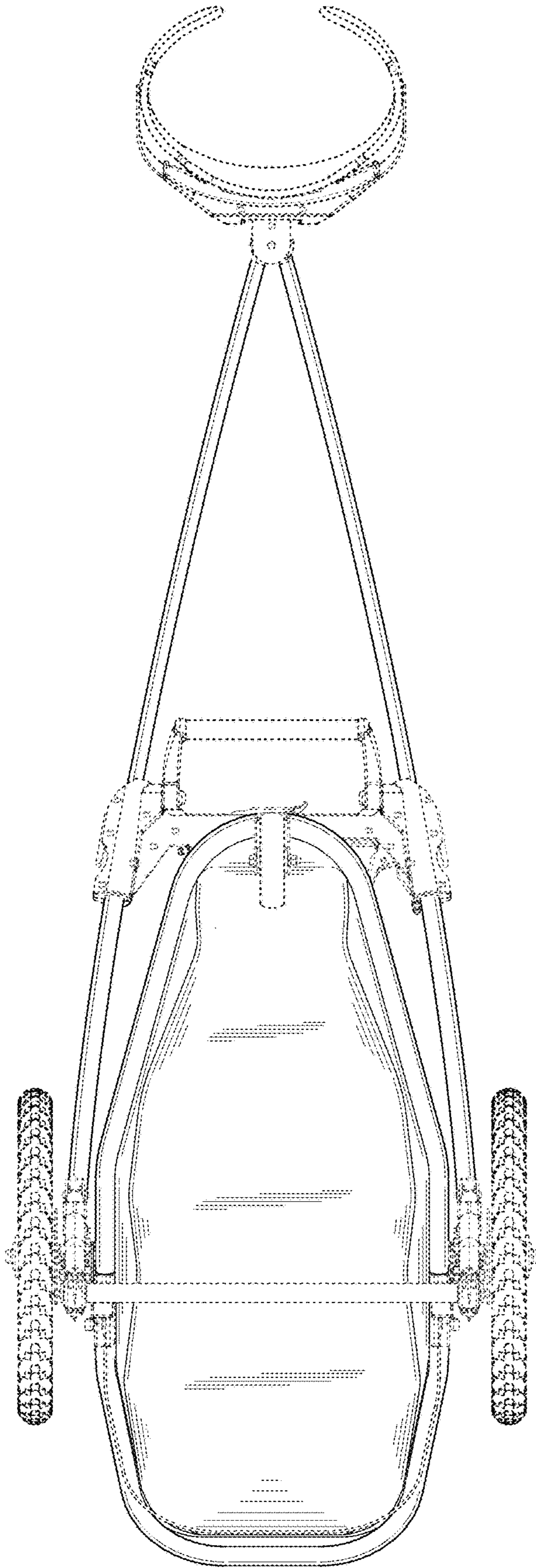


FIG. 5

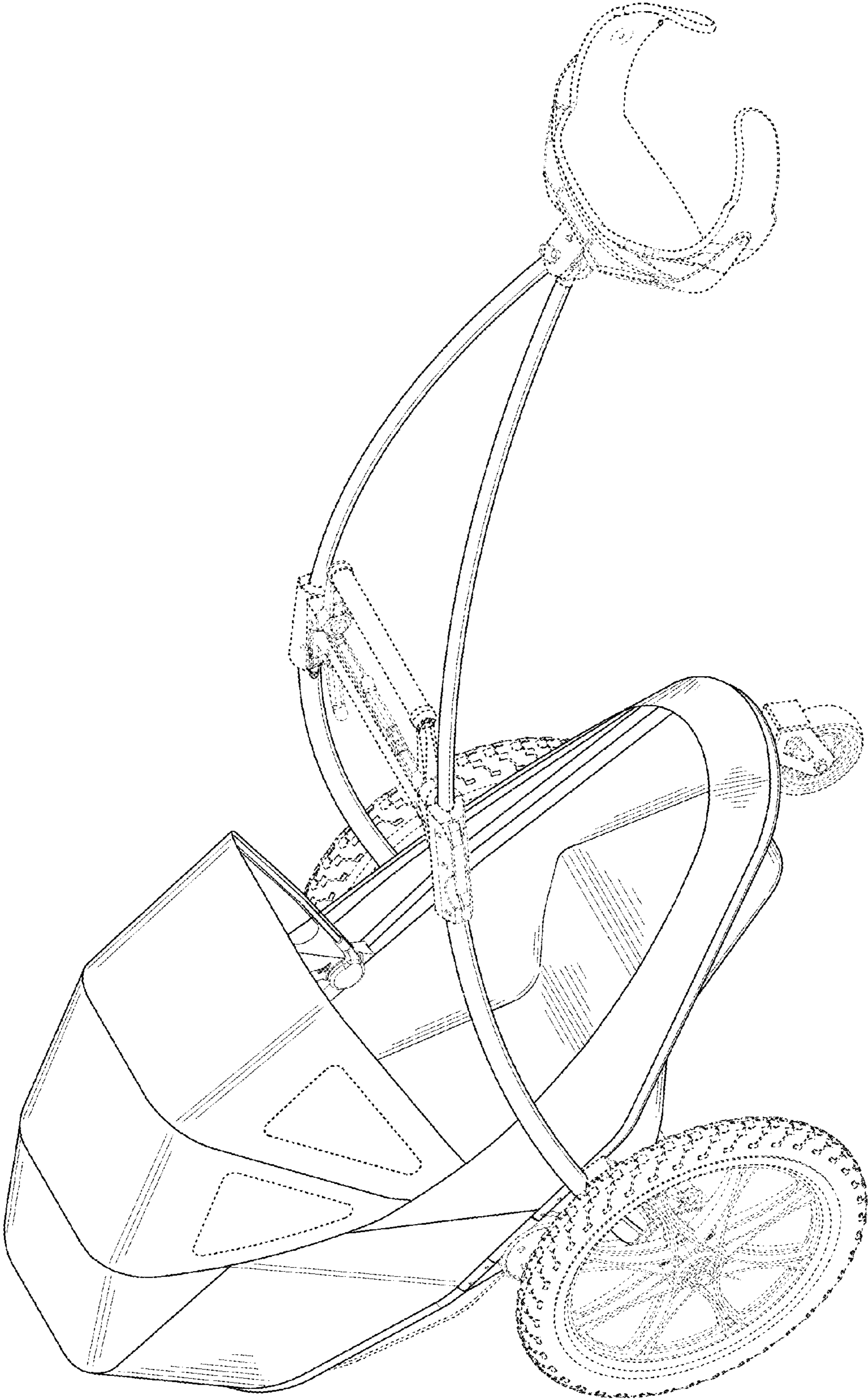


FIG. 6



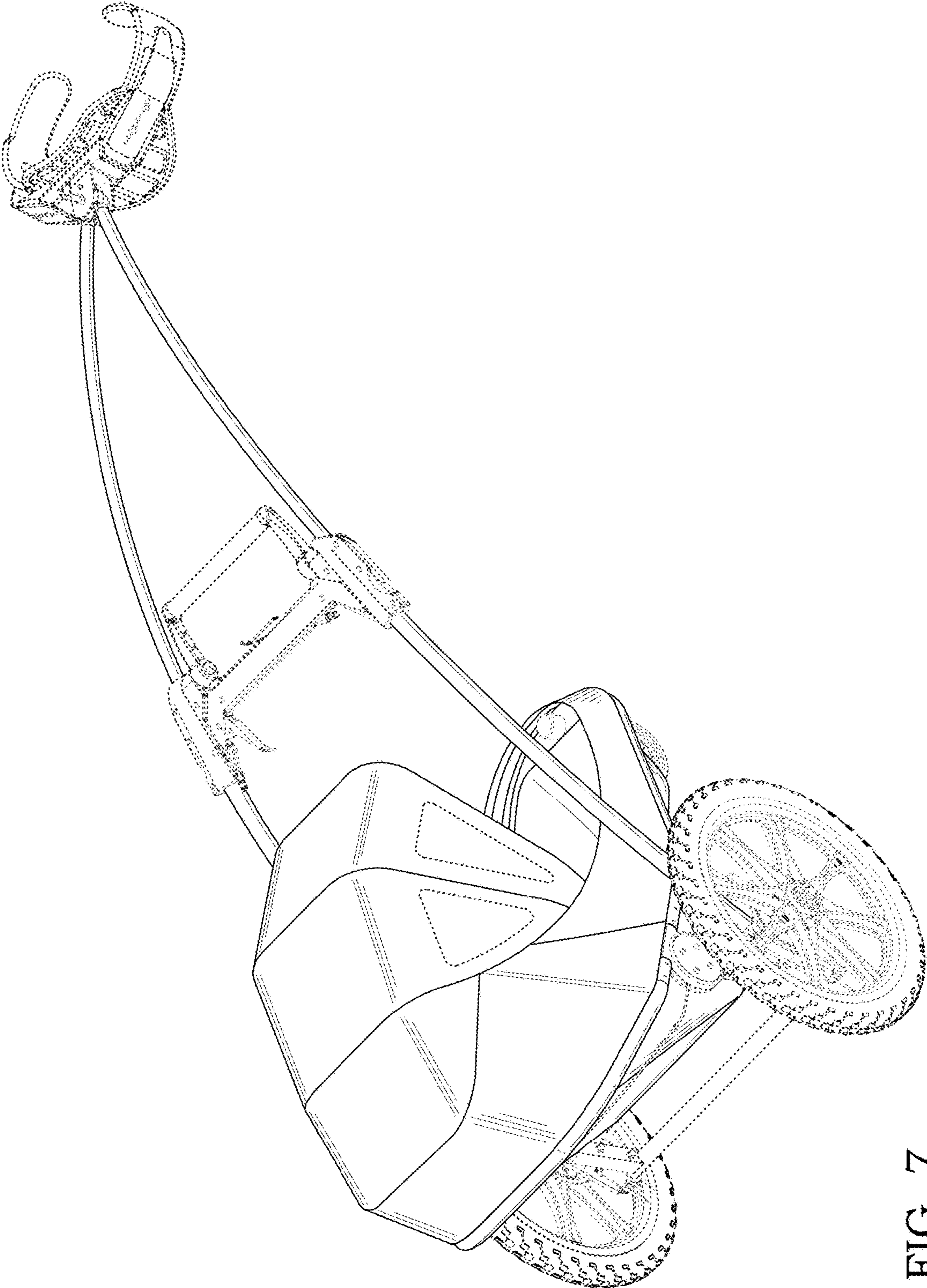


FIG. 7

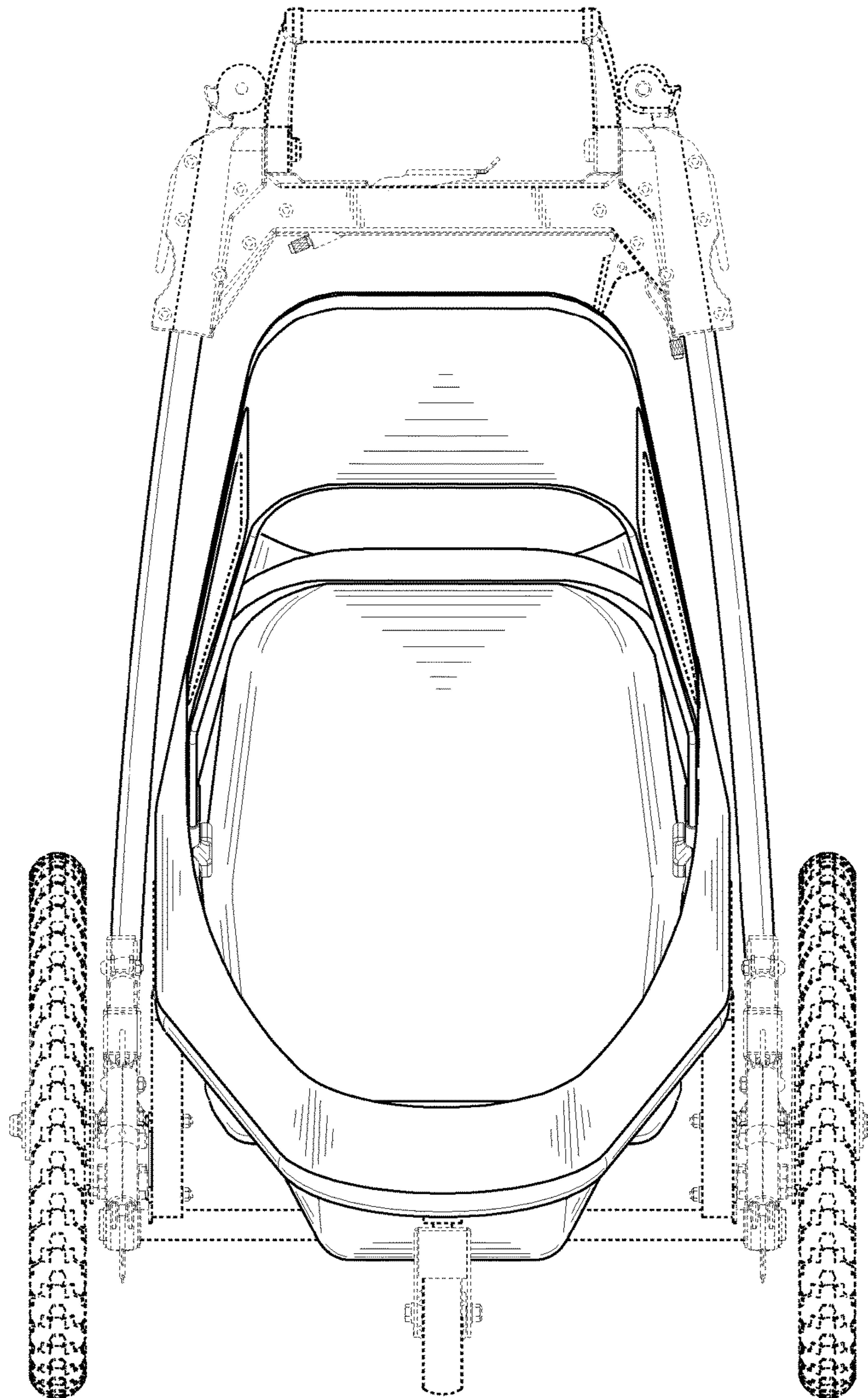


FIG. 8

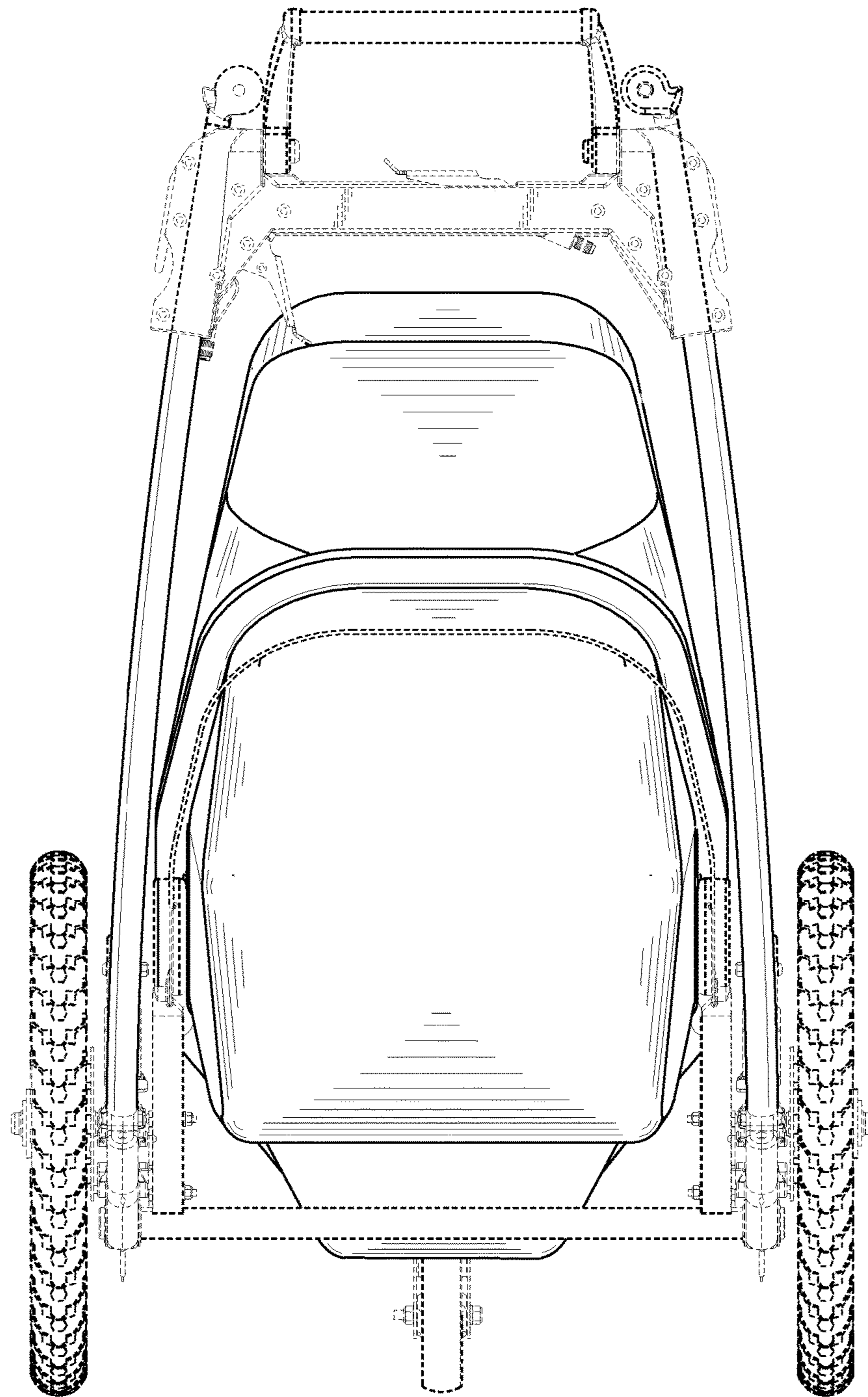


FIG. 9

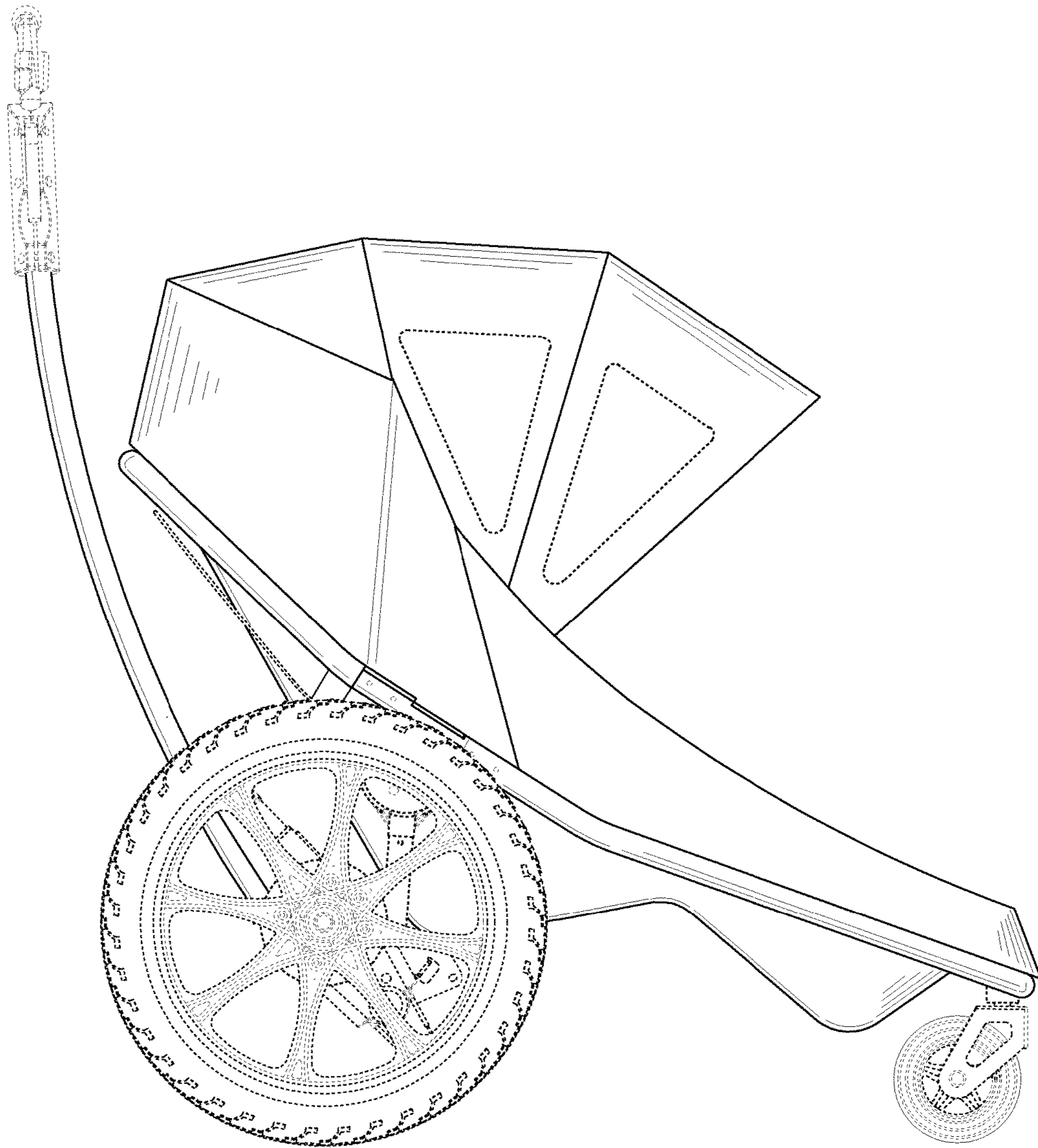


FIG. 10

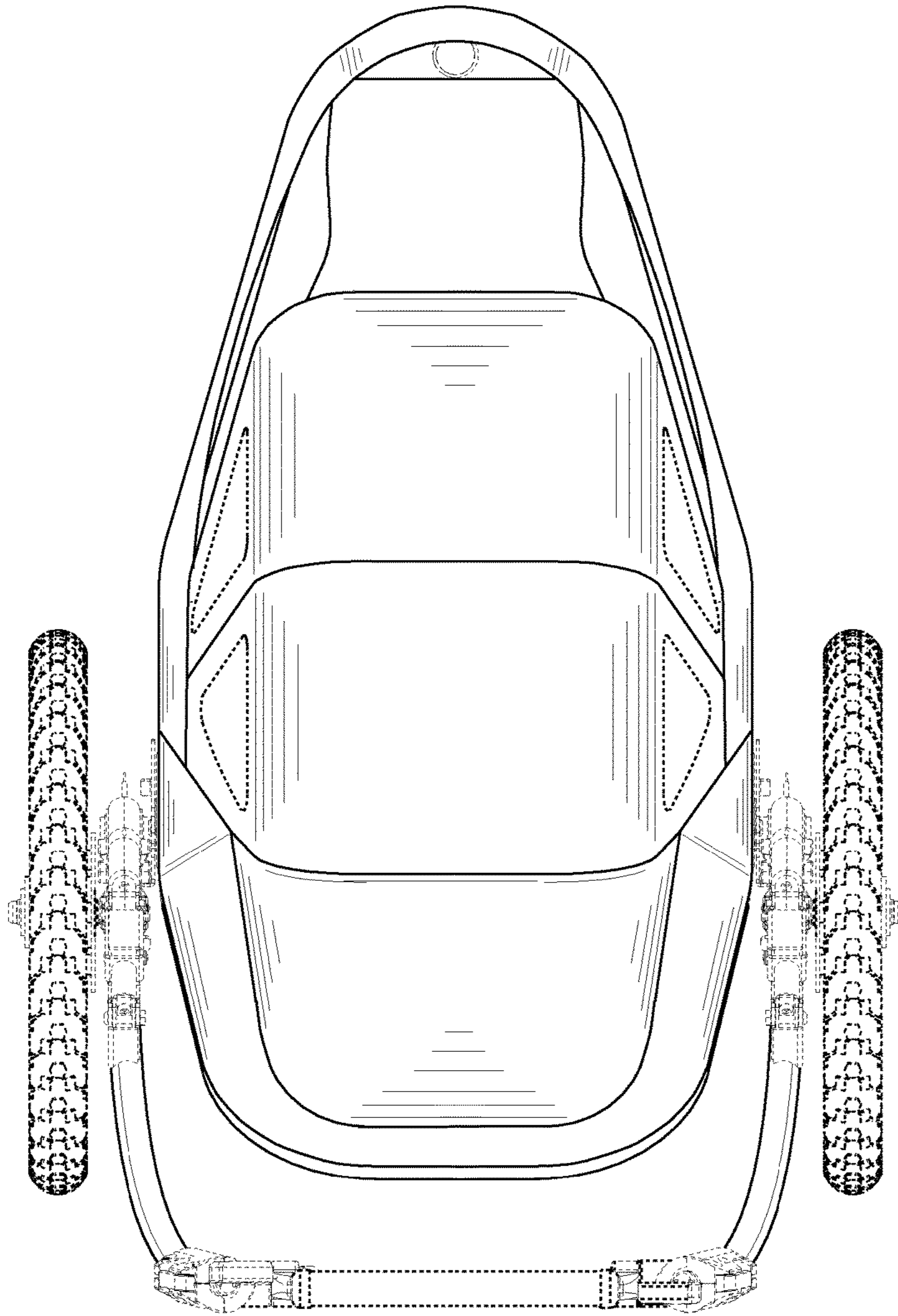


FIG. 11

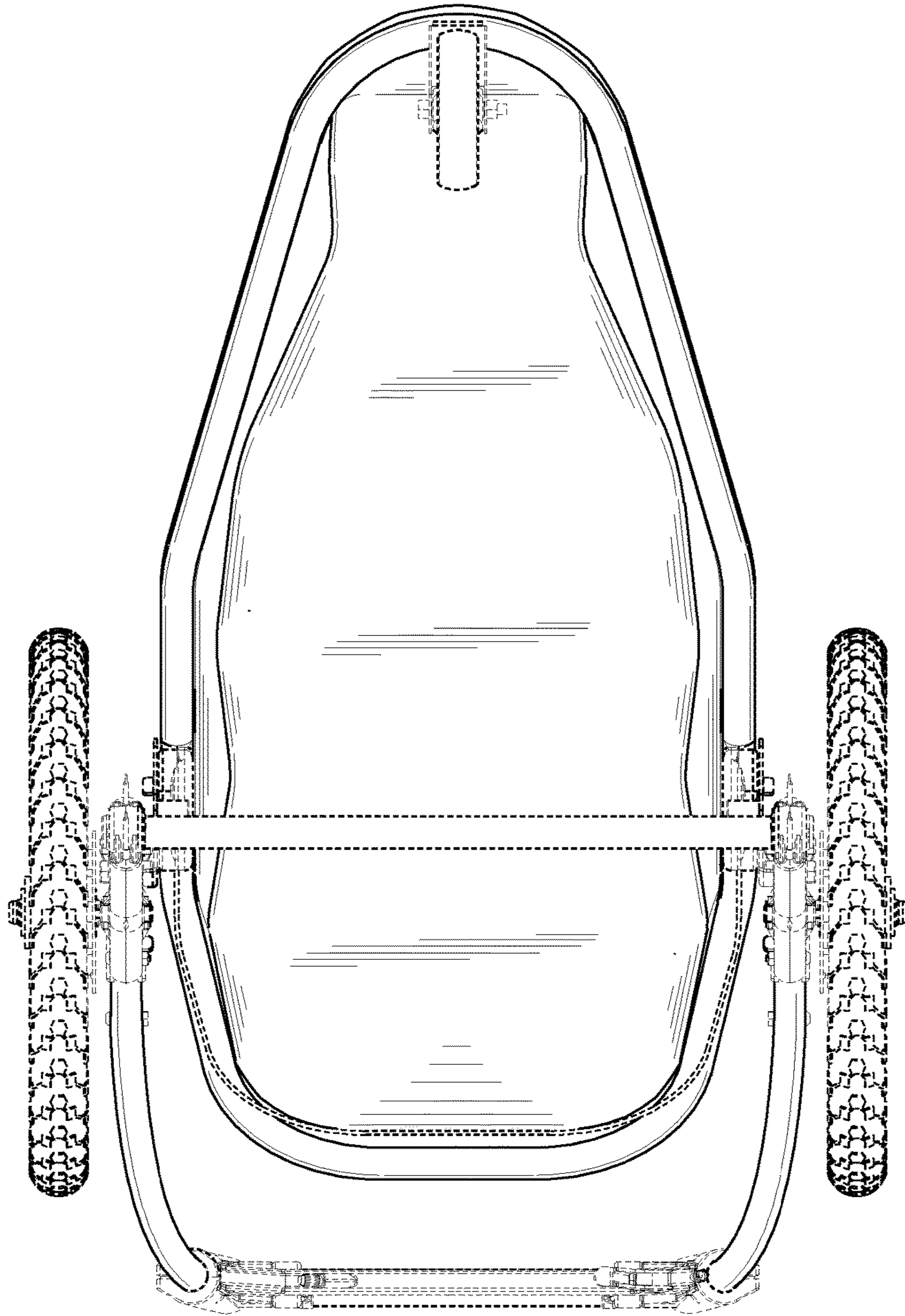


FIG. 12

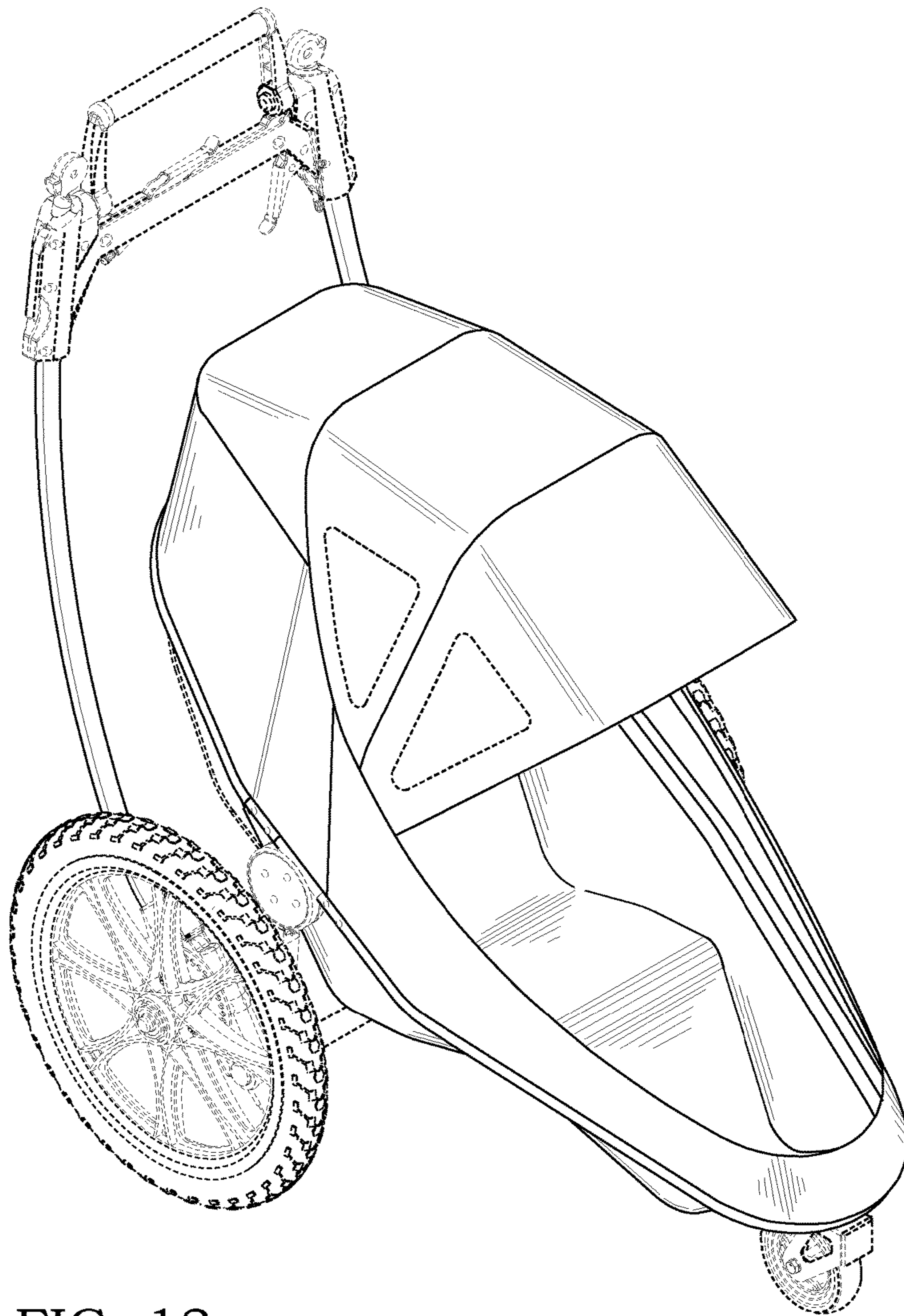


FIG. 13

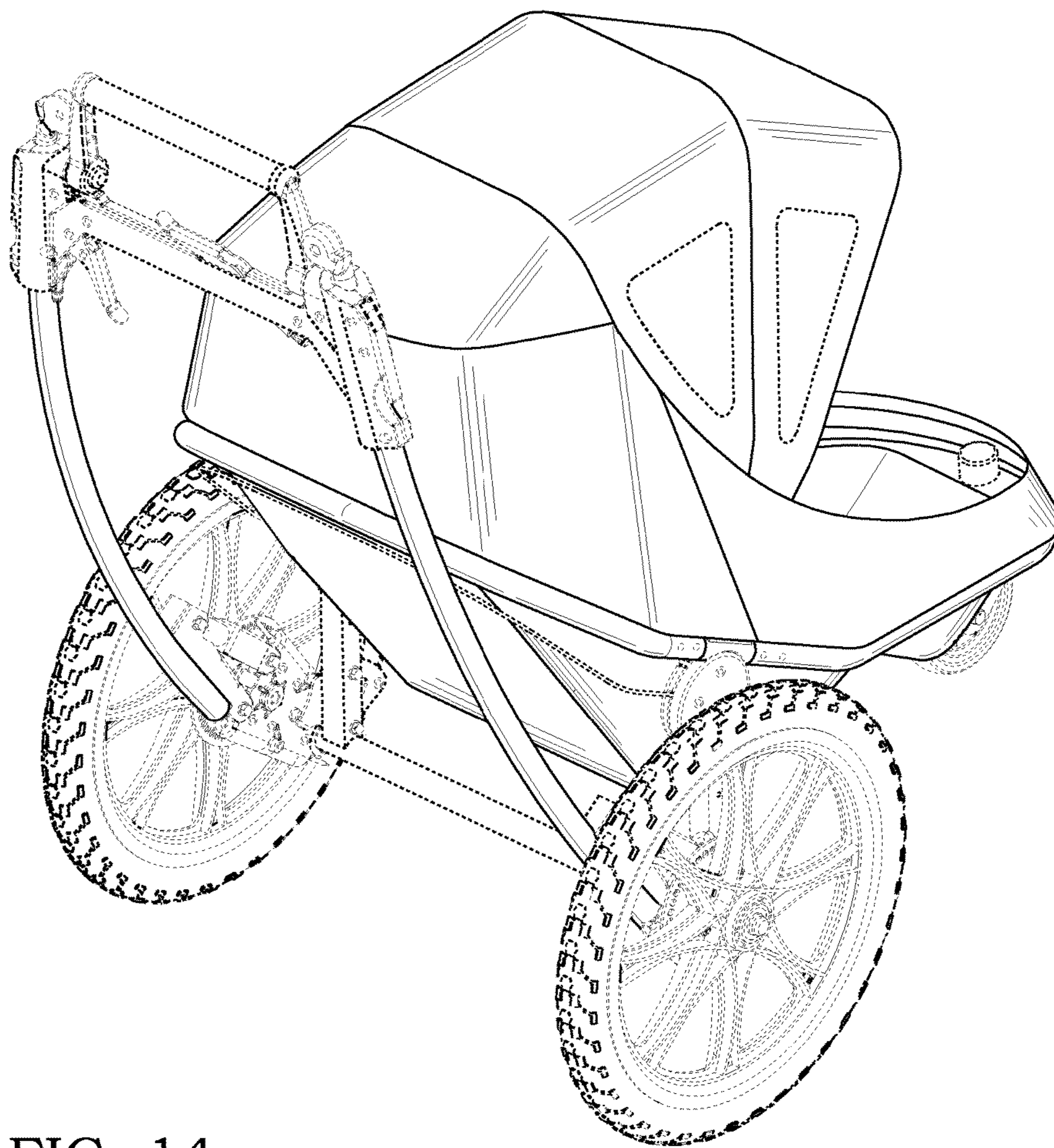


FIG. 14