



US00D811948S

(12) **United States Design Patent**
Turner

(10) **Patent No.:** **US D811,948 S**
(45) **Date of Patent:** **** Mar. 6, 2018**

(54) **CHAIN SPROCKET**
(71) Applicant: **Daniel Turner**, Humble, TX (US)
(72) Inventor: **Daniel Turner**, Humble, TX (US)
(**) Term: **15 Years**
(21) Appl. No.: **29/592,095**
(22) Filed: **Jan. 26, 2017**
(51) **LOC (11) Cl.** **12-01**
(52) **U.S. Cl.**
USPC **D12/123; D15/138**
(58) **Field of Classification Search**
USPC D3/318; D12/123, 211; D15/143, 148,
D15/149; D34/5, 10, 27
CPC B62M 9/10; F16H 55/12; F16H 55/30
See application file for complete search history.

D699,267 S * 2/2014 Nelson D15/21
D702,411 S * 4/2014 Bromm D34/10
D765,551 S * 9/2016 Baker, Jr. D12/123
D781,345 S * 3/2017 Pratley D15/5
D787,380 S * 5/2017 Karol D12/123
2002/0169044 A1* 11/2002 Young F16H 7/06
474/152
2006/0116227 A1* 6/2006 Mercat B62M 9/12
474/82
2008/0312017 A1* 12/2008 Young F16H 7/06
474/148

* cited by examiner

Primary Examiner — Patricia A Palasik
(74) *Attorney, Agent, or Firm* — Law Office of Jeff Williams; J. Oliver Williams

(57) **CLAIM**

The ornamental design for a chain sprocket, as shown.

(56) **References Cited**

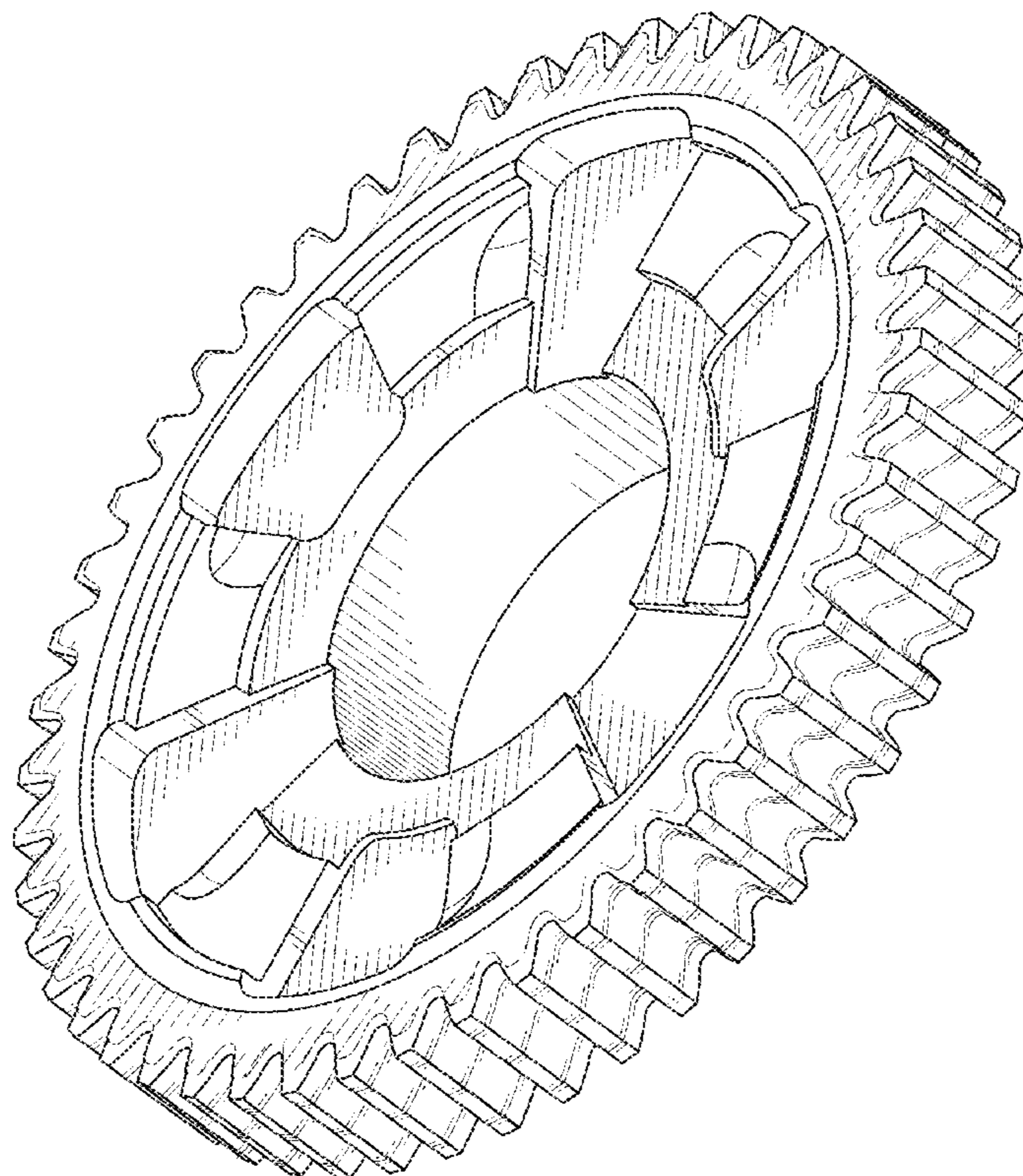
U.S. PATENT DOCUMENTS

1,963,249 A * 6/1934 Rorabeck B62D 55/12
305/196
3,045,502 A * 7/1962 Carlton B27B 17/08
29/893.33
D396,436 S * 7/1998 Liska D12/123
D472,843 S * 4/2003 Marquez-Pickering D11/81
6,910,980 B2* 6/2005 Hamilton F16H 55/06
474/156
7,914,408 B2* 3/2011 Young F16H 7/06
474/152

DESCRIPTION

FIG. 1 is a perspective view of a chain sprocket according to the present application.
FIG. 2 is a front view of the chain sprocket of FIG. 1.
FIG. 3 is a back view of the chain sprocket of FIG. 1.
FIG. 4 is a left view of the chain sprocket of FIG. 1.
FIG. 5 is a right view of the chain sprocket of FIG. 1.
FIG. 6 is a top view of the chain sprocket of FIG. 1; and, FIG. 7 is a bottom view of the chain sprocket of FIG. 1.

1 Claim, 5 Drawing Sheets



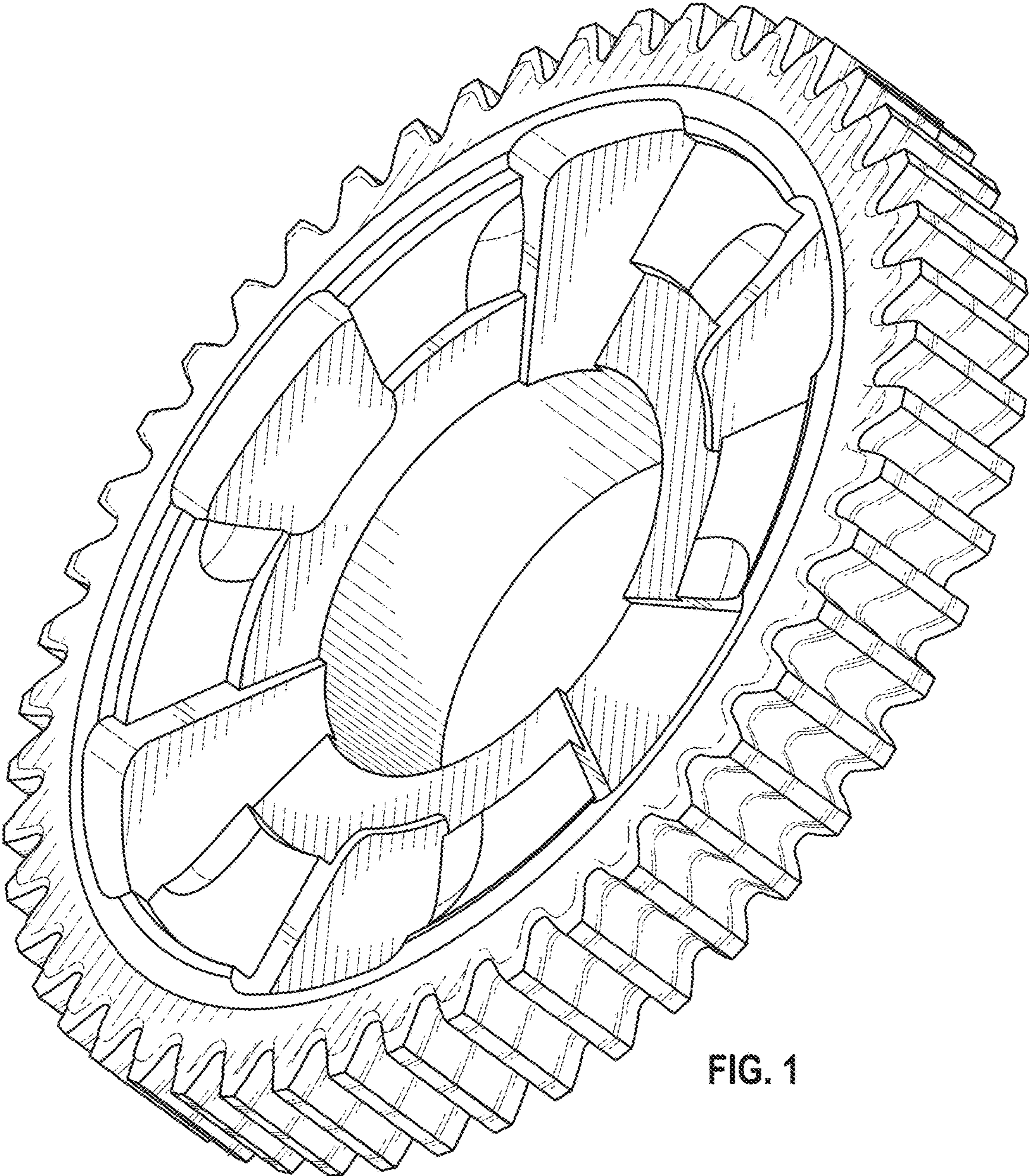


FIG. 1

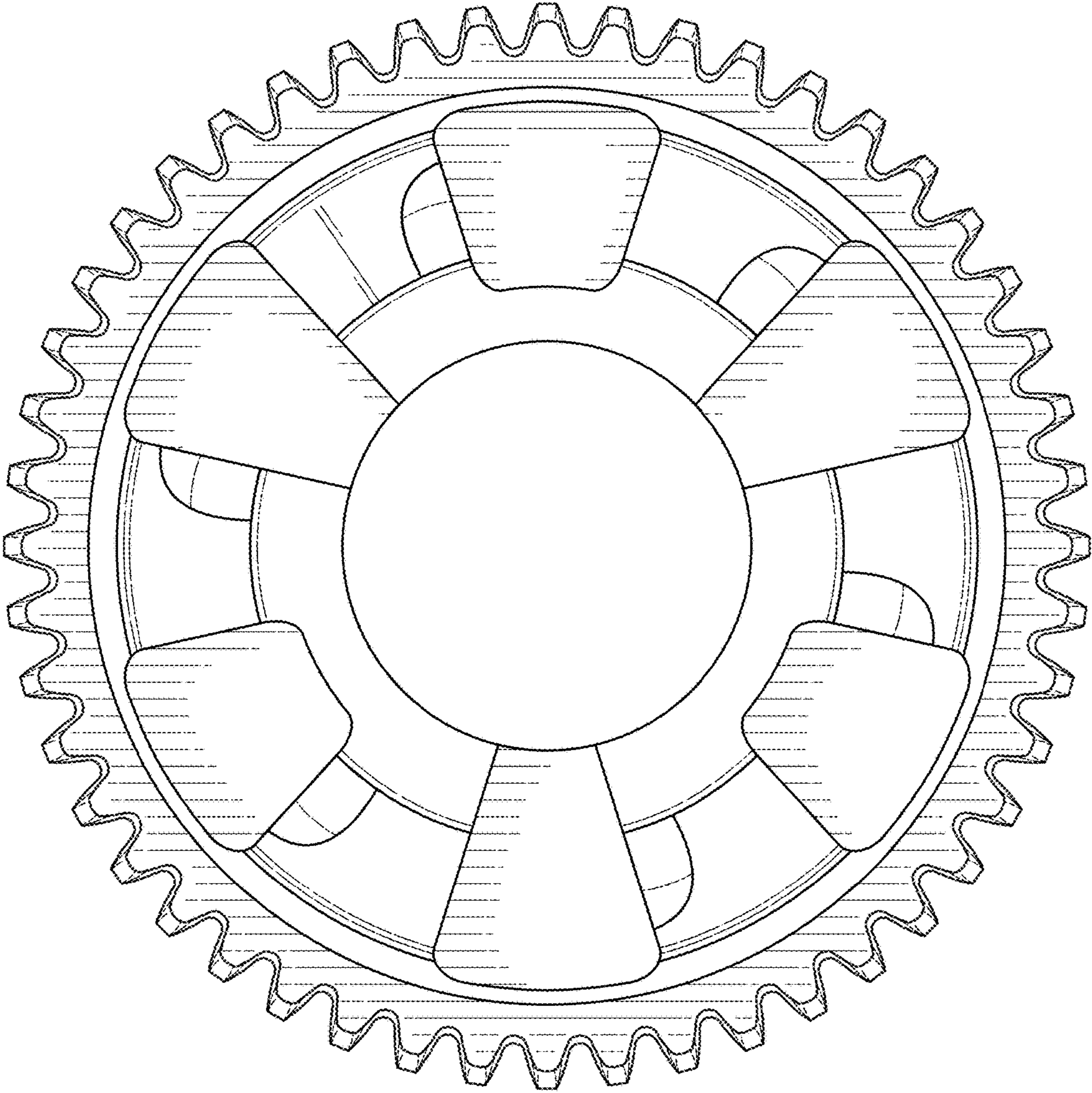


FIG. 2

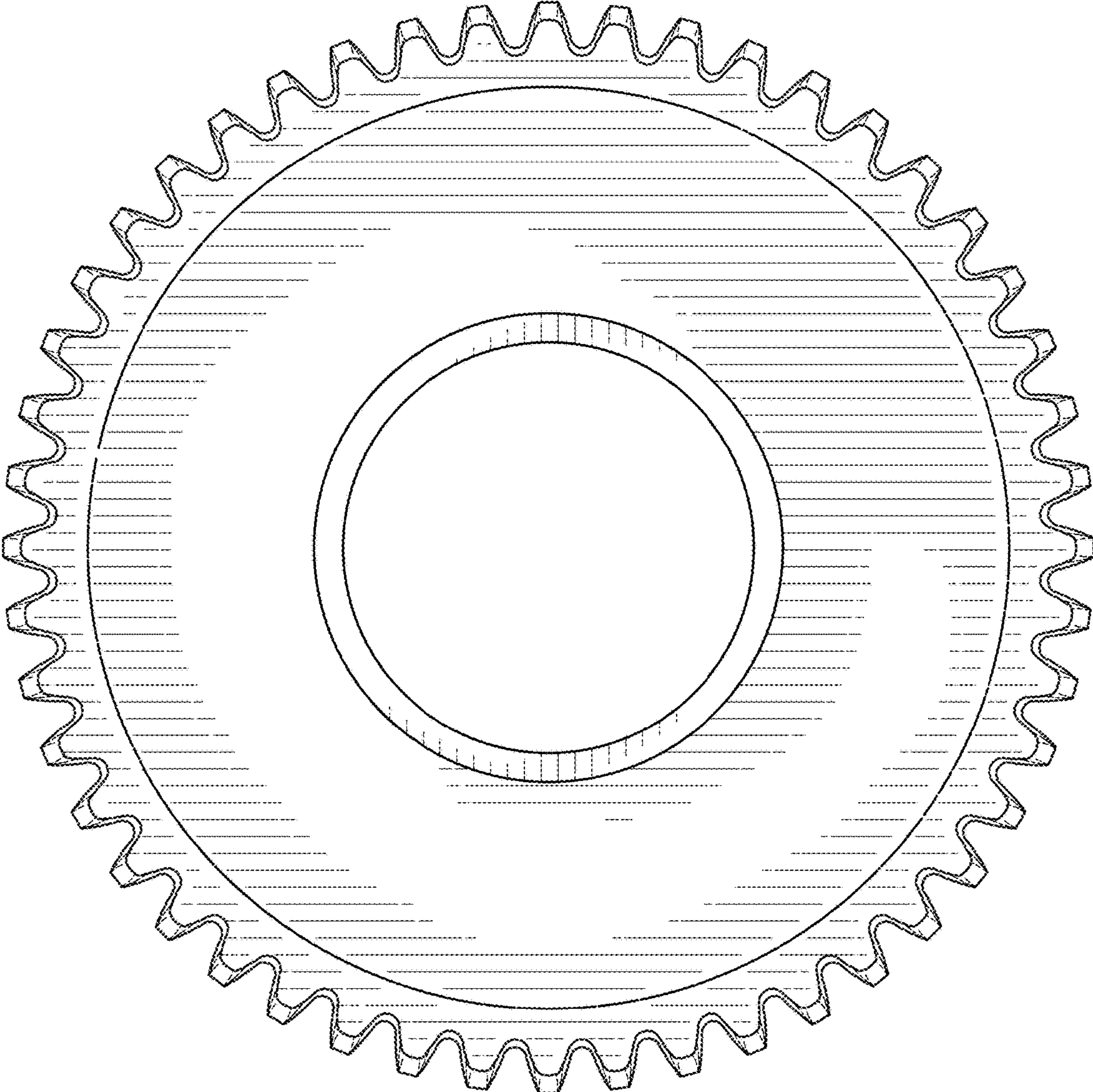


FIG. 3

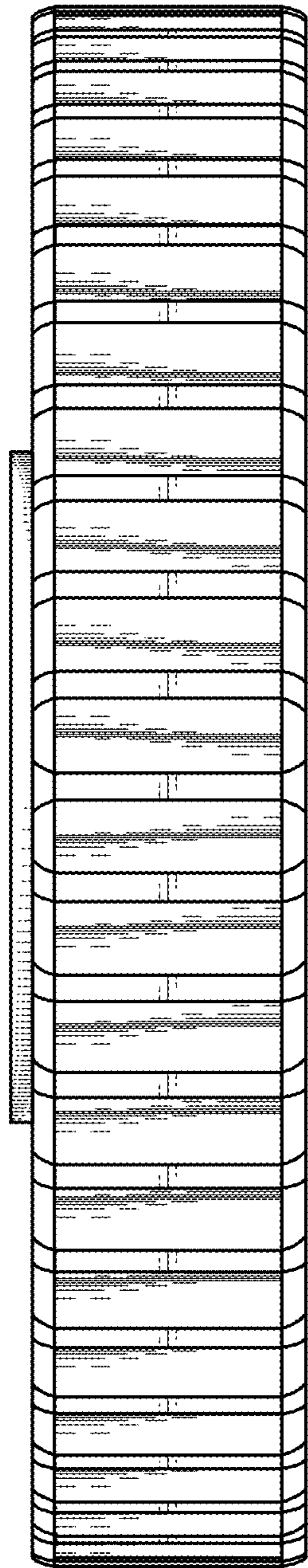


FIG. 4

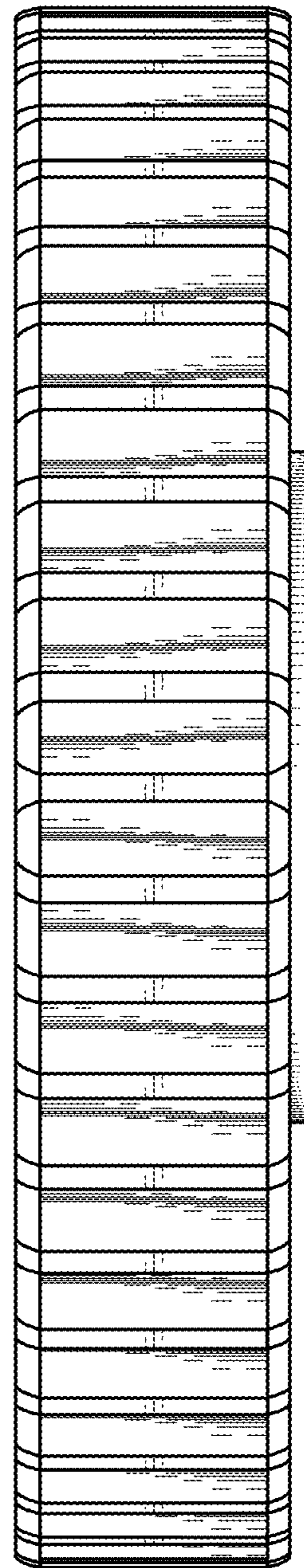


FIG. 5

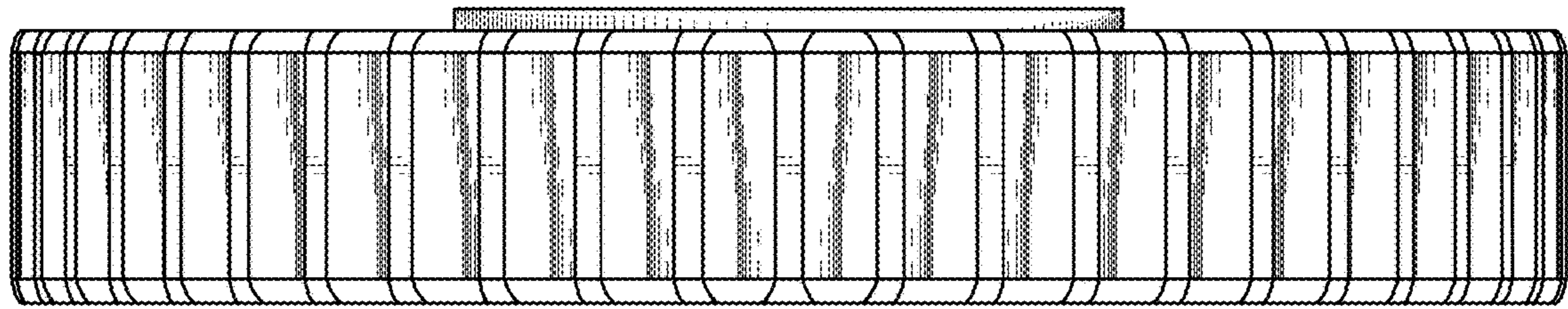


FIG. 6

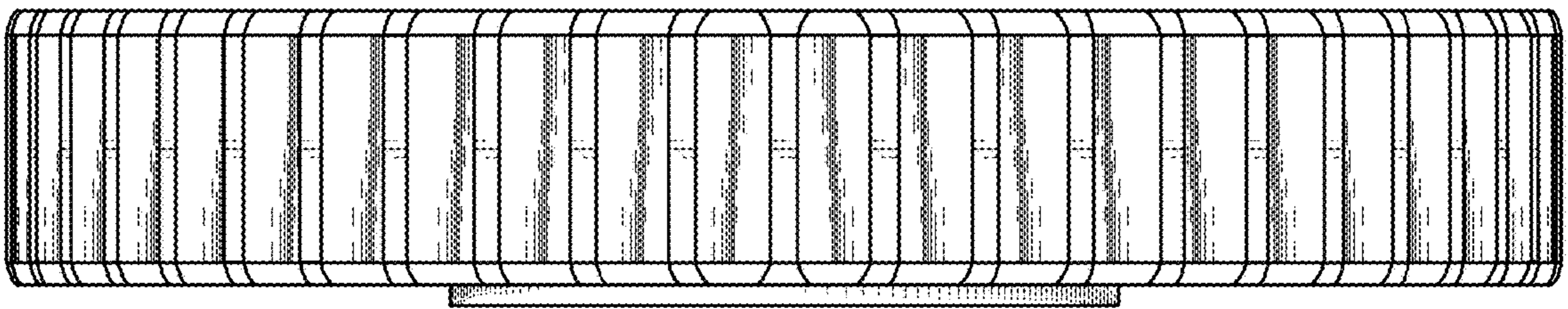


FIG. 7