



US00D811947S

(12) **United States Design Patent**  
**May**

(10) **Patent No.:** **US D811,947 S**  
(45) **Date of Patent:** **\*\* Mar. 6, 2018**

- (54) **MOTORCYCLE FOOT PEG CLEVIS**
- (71) Applicant: **Ciro, LLC**, Hudson, WI (US)
- (72) Inventor: **Darron B May**, Stillwater, MN (US)
- (73) Assignee: **Ciro, LLC**, Hudson, WI (US)
- (\*\*) Term: **15 Years**
- (21) Appl. No.: **29/565,920**
- (22) Filed: **May 25, 2016**
- (51) **LOC (11) Cl.** ..... **12-11**
- (52) **U.S. Cl.**  
USPC ..... **D12/114**
- (58) **Field of Classification Search**  
USPC ..... D12/114, 110, 115, 121, 126, 125, 223  
CPC ..... B62J 25/00; B62J 23/00  
See application file for complete search history.

- 2007/0063479 A1\* 3/2007 Fouhy ..... B62J 25/00  
280/288.4
- 2008/0047389 A1\* 2/2008 Leclair ..... B62J 25/00  
74/564
- 2008/0296878 A1\* 12/2008 Pruit ..... B62J 23/00  
280/748
- 2010/0127474 A1\* 5/2010 Jans ..... B62J 25/00  
280/291

\* cited by examiner

*Primary Examiner* — George D. Kirschbaum  
*Assistant Examiner* — Clese Moore, Jr.  
(74) *Attorney, Agent, or Firm* — Dicke, Billig & Czaja, PLLC

(57) **CLAIM**

The ornamental design for a motorcycle foot peg clevis, as shown and described.

**DESCRIPTION**

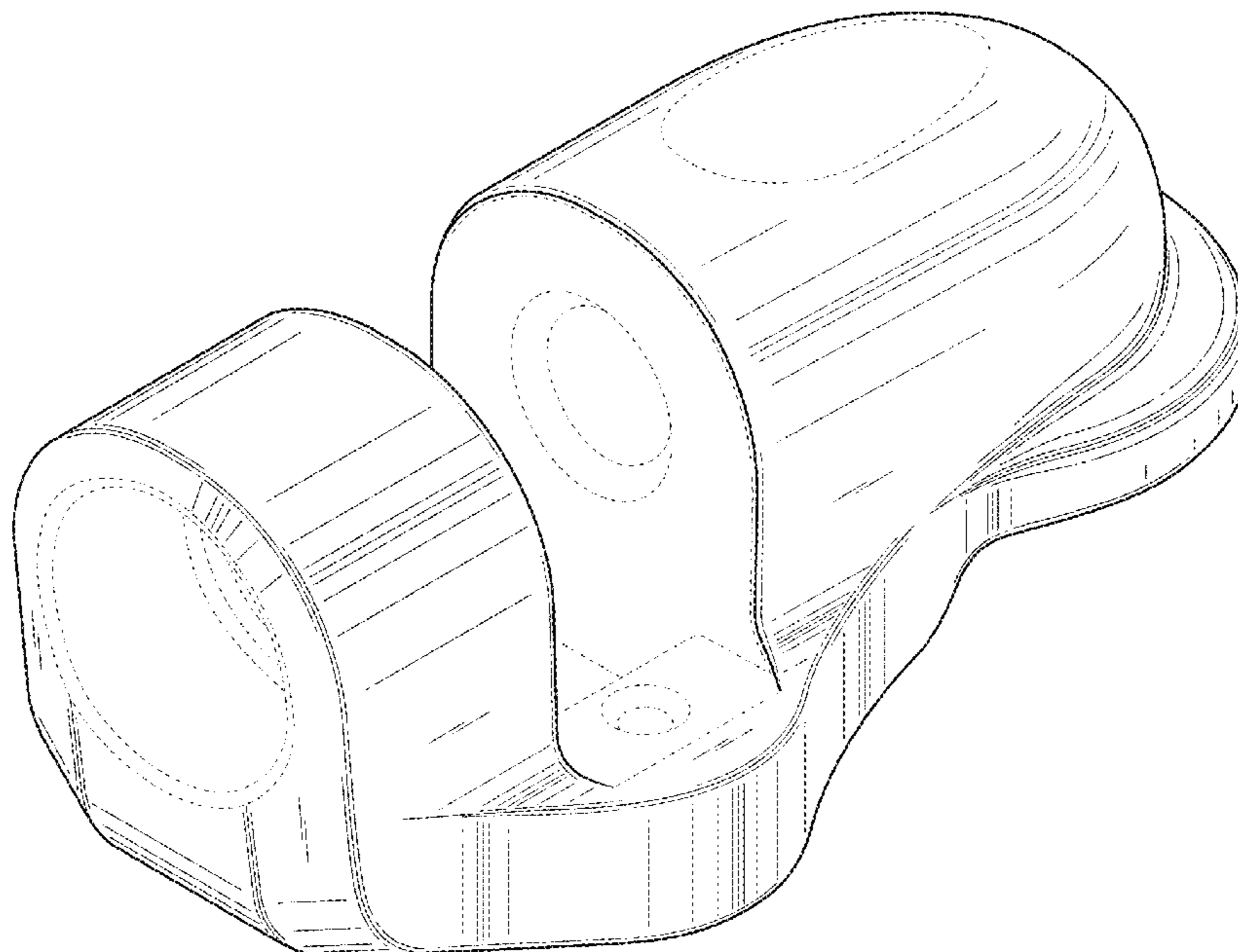
FIG. 1 is a perspective view of the motorcycle foot peg clevis.  
FIG. 2 is a top plan view thereof.  
FIG. 3 is a bottom plan view thereof.  
FIG. 4 is a right side view thereof, the left side view being a mirror image of the right side view.  
FIG. 5 is a rear elevation view thereof; and,  
FIG. 6 is a front elevation view thereof.  
The mounting bores, the open foot peg mounting space in the clevis body, the splined mounting surface, and the surface portions shown in broken lines form no part of the claimed design.

(56) **References Cited**

**U.S. PATENT DOCUMENTS**

- D506,707 S \* 6/2005 Egan ..... D12/114
- D528,476 S \* 9/2006 Stahel ..... D12/114
- D531,553 S \* 11/2006 Welch ..... D12/114
- D579,383 S \* 10/2008 Owyang ..... D12/114
- D653,175 S \* 1/2012 Parvey ..... D12/114
- 8,439,386 B1 \* 5/2013 Cruz ..... B62J 23/00  
280/304.3
- D684,097 S \* 6/2013 May ..... D12/126
- 8,870,207 B2 \* 10/2014 Parvey ..... B62J 25/00  
180/219
- D718,671 S \* 12/2014 Parvey ..... D12/114
- D775,519 S \* 1/2017 May ..... D8/396
- 2004/0200312 A1 \* 10/2004 Buckhouse ..... B62J 25/00  
74/564

**1 Claim, 6 Drawing Sheets**



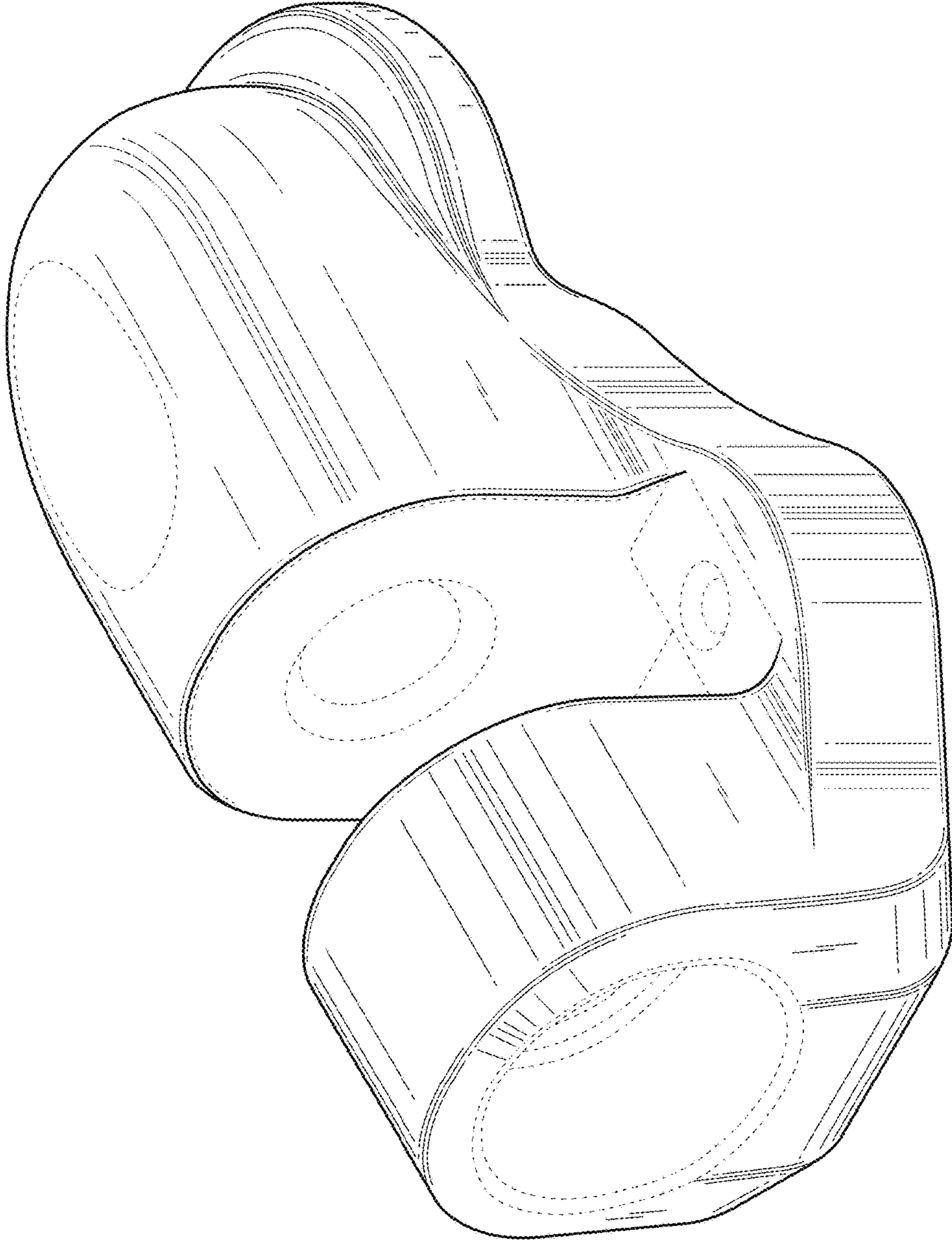


Fig. 1

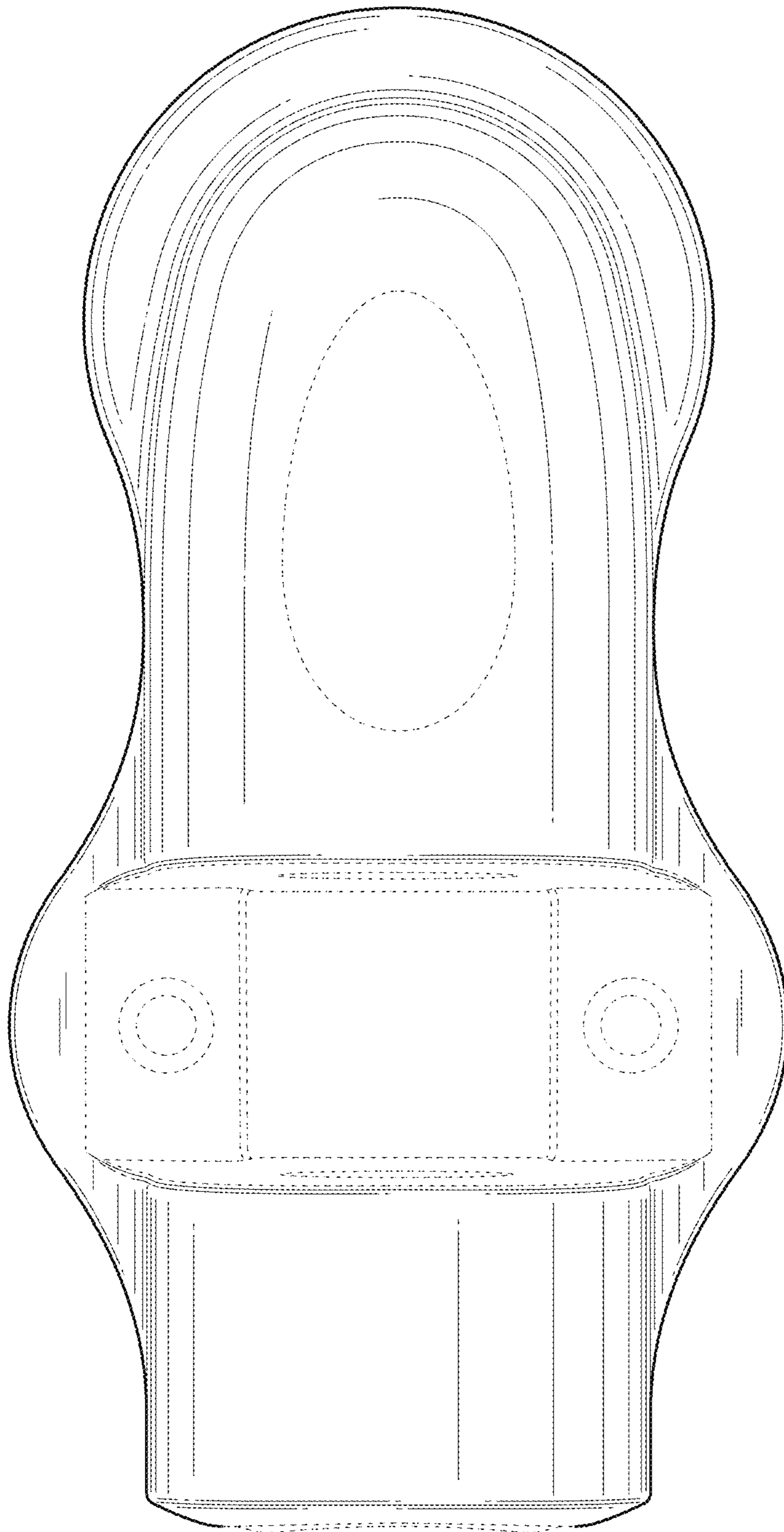


Fig. 2

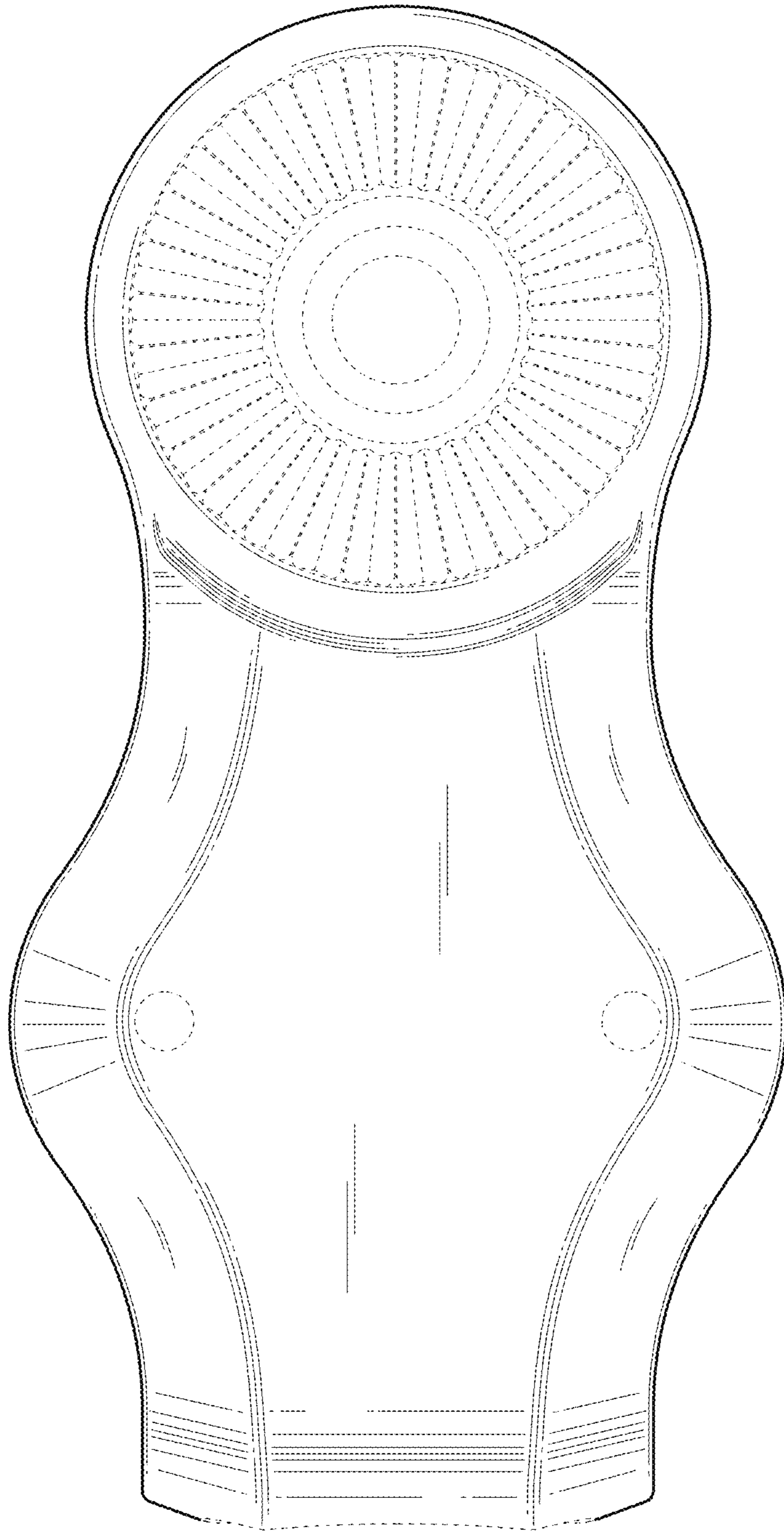


Fig. 3

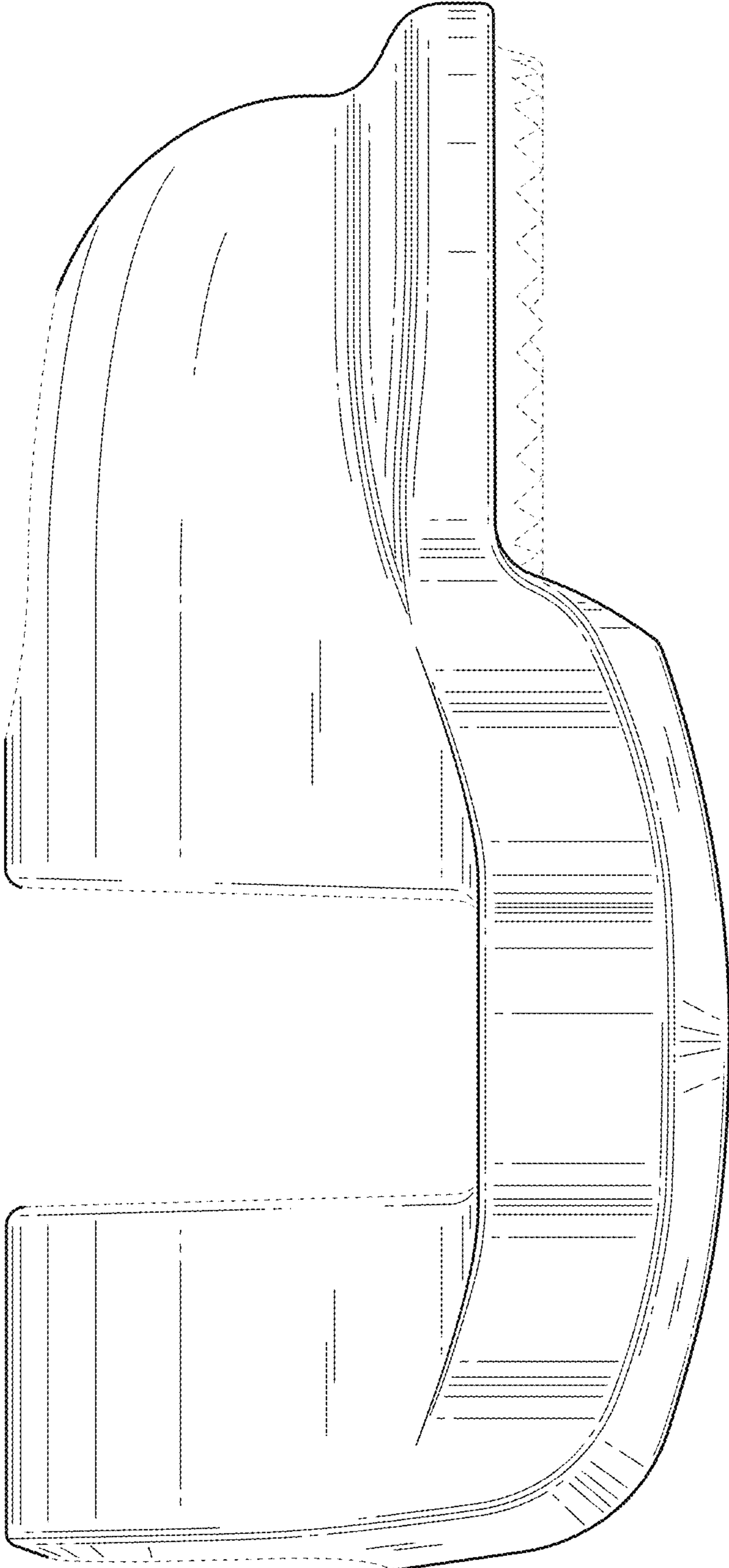


Fig. 4

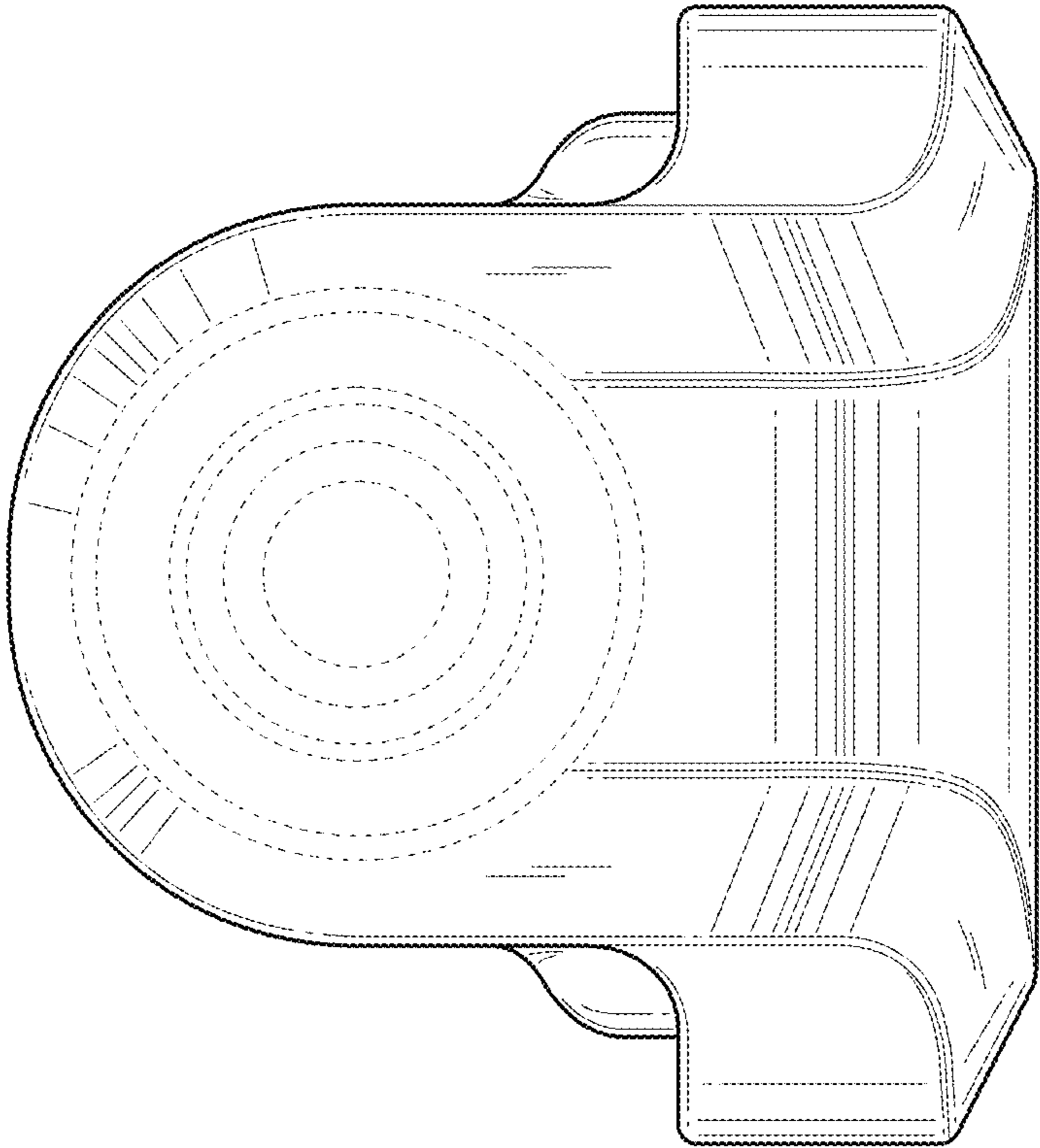


Fig. 5

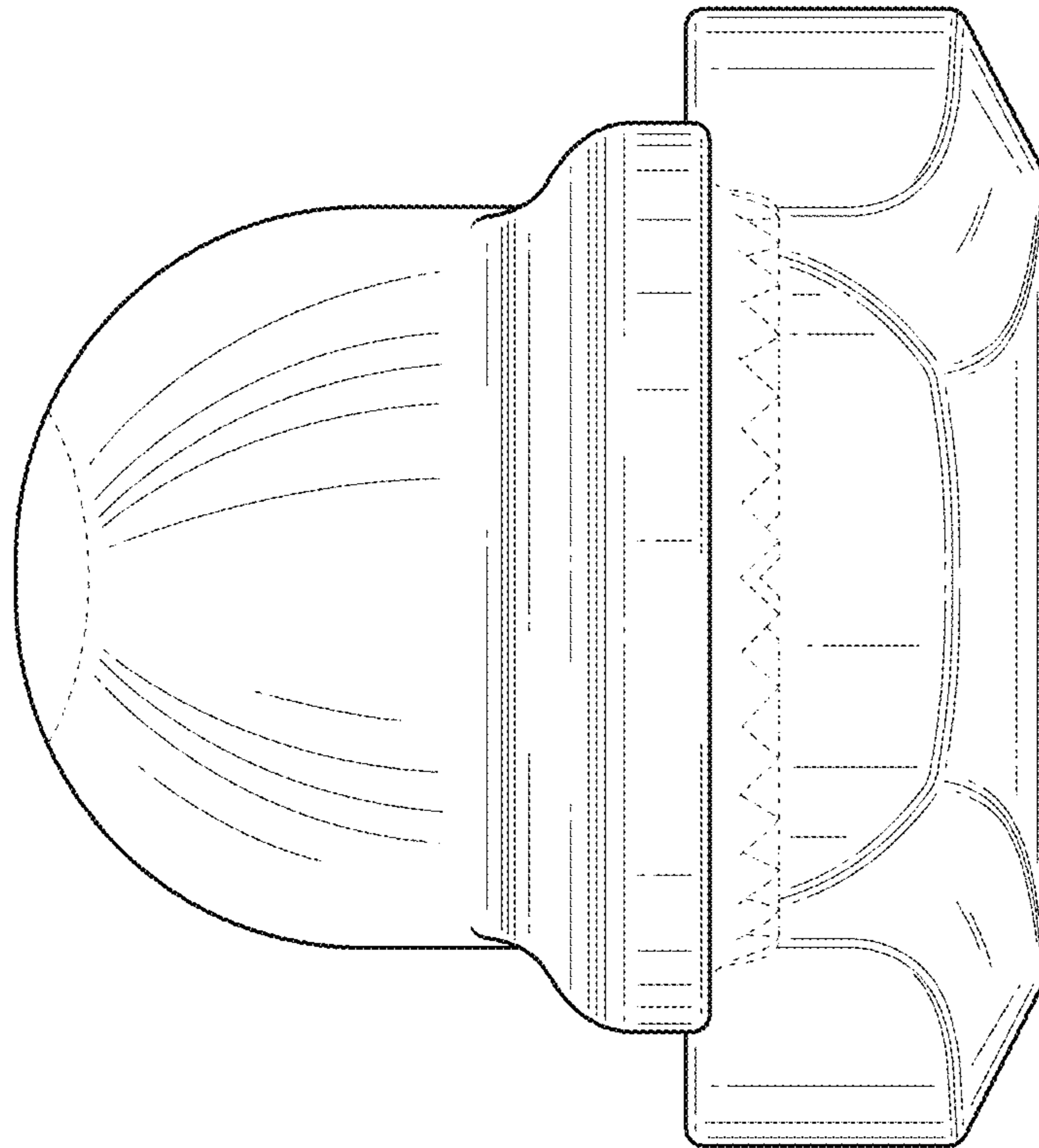


Fig. 6