



US00D811936S

(12) **United States Design Patent**  
**Bod**

(10) **Patent No.:** **US D811,936 S**

(45) **Date of Patent:** **\*\* Mar. 6, 2018**

(54) **VEHICLE**

D217,810 S \* 6/1970 McGinnis ..... D12/1

(71) Applicant: **Franciscus J. G. Bod**, 's-Heerenberg  
(NL)

\* cited by examiner

(72) Inventor: **Franciscus J. G. Bod**, 's-Heerenberg  
(NL)

*Primary Examiner* — T. Chase Nelson

*Assistant Examiner* — Ania Aman

(\*\*) Term: **15 Years**

(74) *Attorney, Agent, or Firm* — Robert L. Epstein;  
Epstein Drangel LLP

(21) Appl. No.: **29/560,411**

(57) **CLAIM**

(22) Filed: **Apr. 6, 2016**

The ornamental design for a vehicle, substantially as shown  
and described.

(30) **Foreign Application Priority Data**

**DESCRIPTION**

Mar. 9, 2016 (EM) ..... 003021906-0001

(51) **LOC (11) Cl.** ..... **12-13**

(52) **U.S. Cl.**  
USPC ..... **D12/14**

(58) **Field of Classification Search**  
USPC .... D12/14, 52, 37, 86, 433, 15, 16, 107, 82,  
D12/88, 89, 90, 91, 92, 93, 1; D21/828,  
D21/833

CPC ..... A63G 25/00; A63G 21/02; B60P 1/003;  
B60P 1/00

See application file for complete search history.

FIG. 1 is a perspective view of the top, left side and rear of  
my design;

FIG. 2 is an elevation view of the rear of my design;

FIG. 3 is an elevation view of the top of my design;

FIG. 4 is a first perspective view of the front, left side and  
top of my design;

FIG. 5 is an elevation view of the bottom of my design;

FIG. 6 is a second perspective view of the front, left side and  
top of my design;

FIG. 7 is an elevation view showing the front of my design;

FIG. 8 is an elevation view of the left side of my design;

FIG. 9 is a perspective view of the left side and top of my  
design; and,

FIG. 10 is an elevation view of the right side of my design.

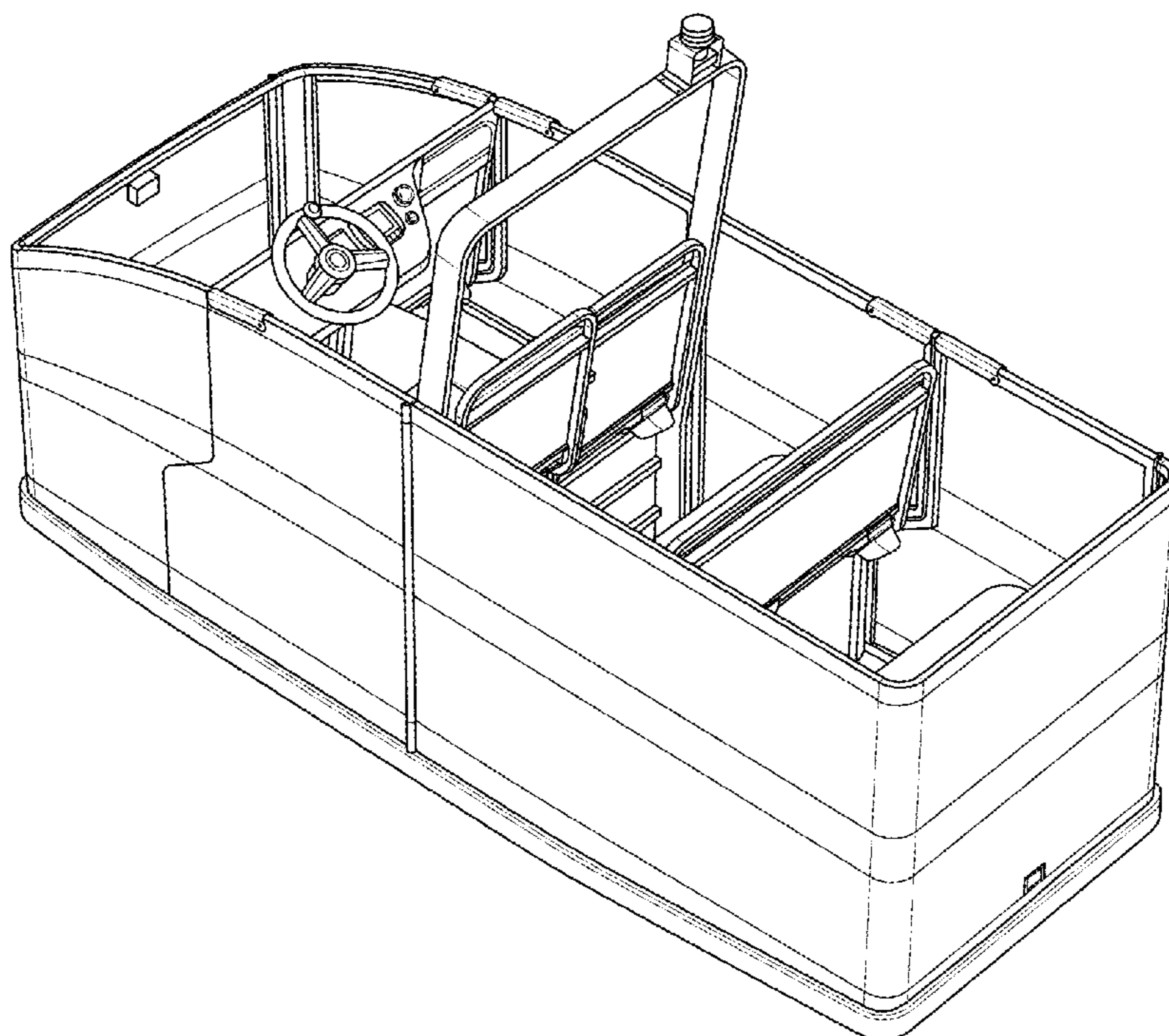
The portions of the figures shown in broken lines are not part  
of the claimed design.

(56) **References Cited**

**U.S. PATENT DOCUMENTS**

D44,851 S \* 11/1913 Millington ..... D12/91  
D197,965 S \* 4/1964 Saporito et al. .... D12/1

**1 Claim, 10 Drawing Sheets**



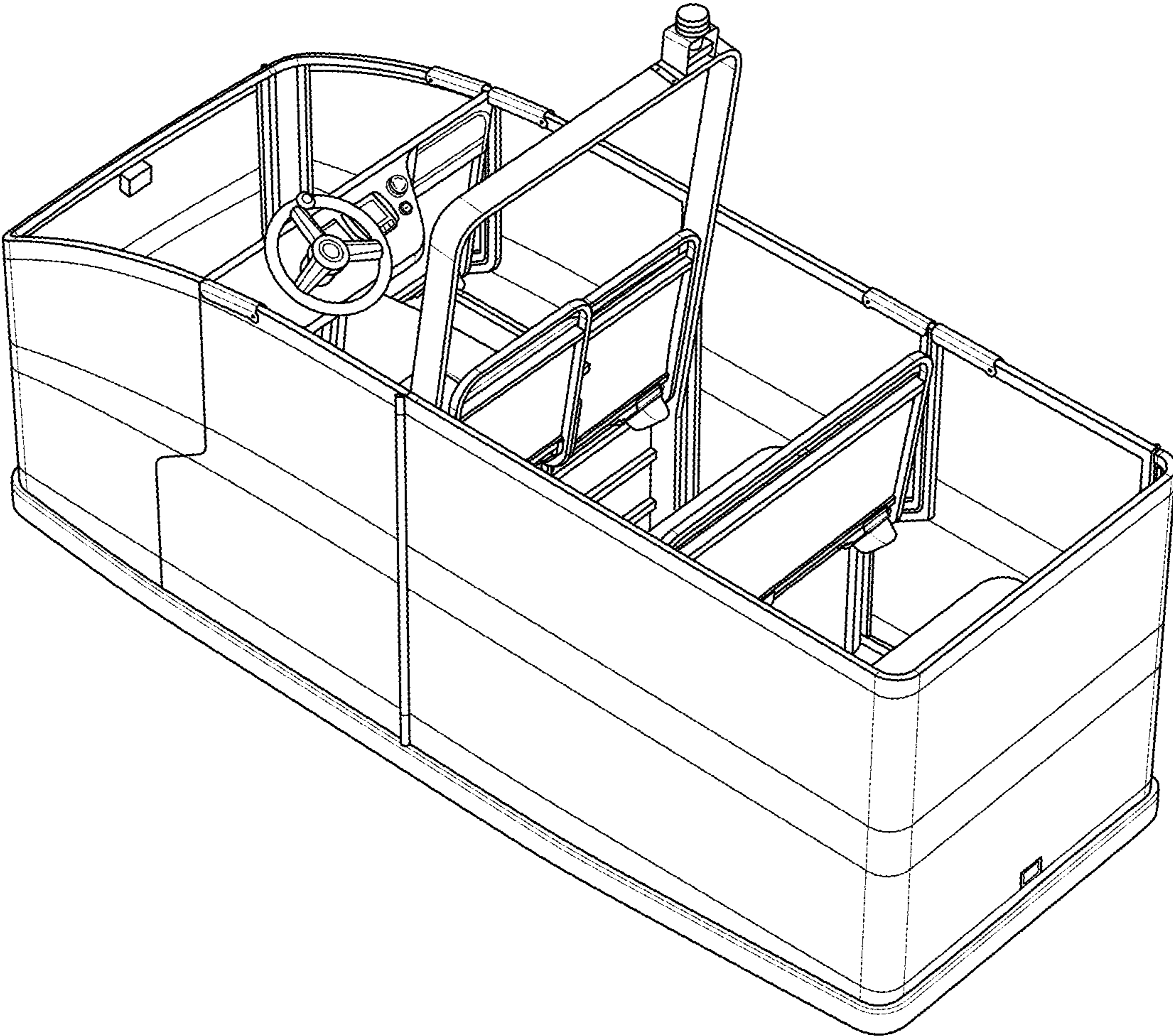


FIG. 1

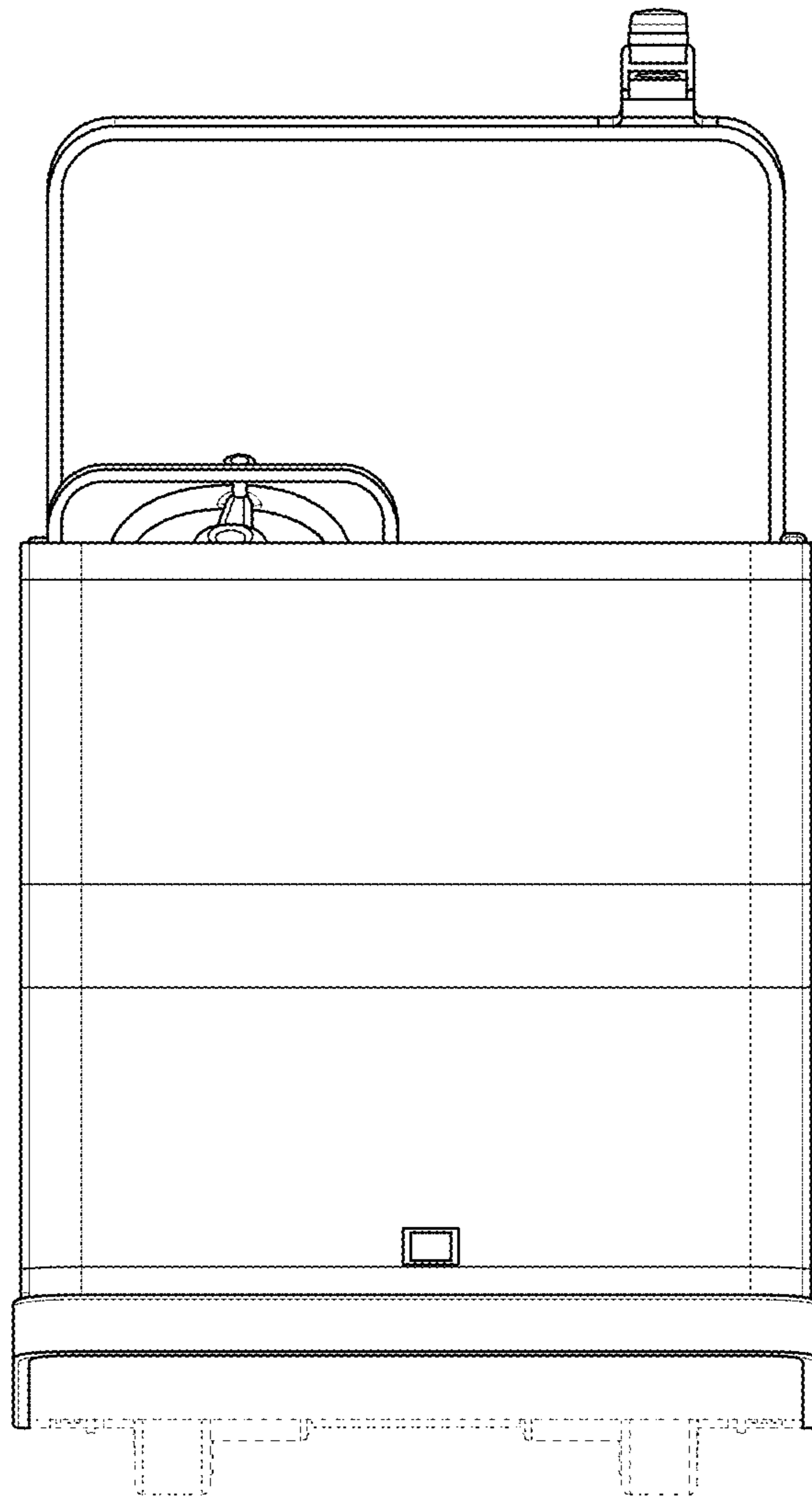


FIG. 2

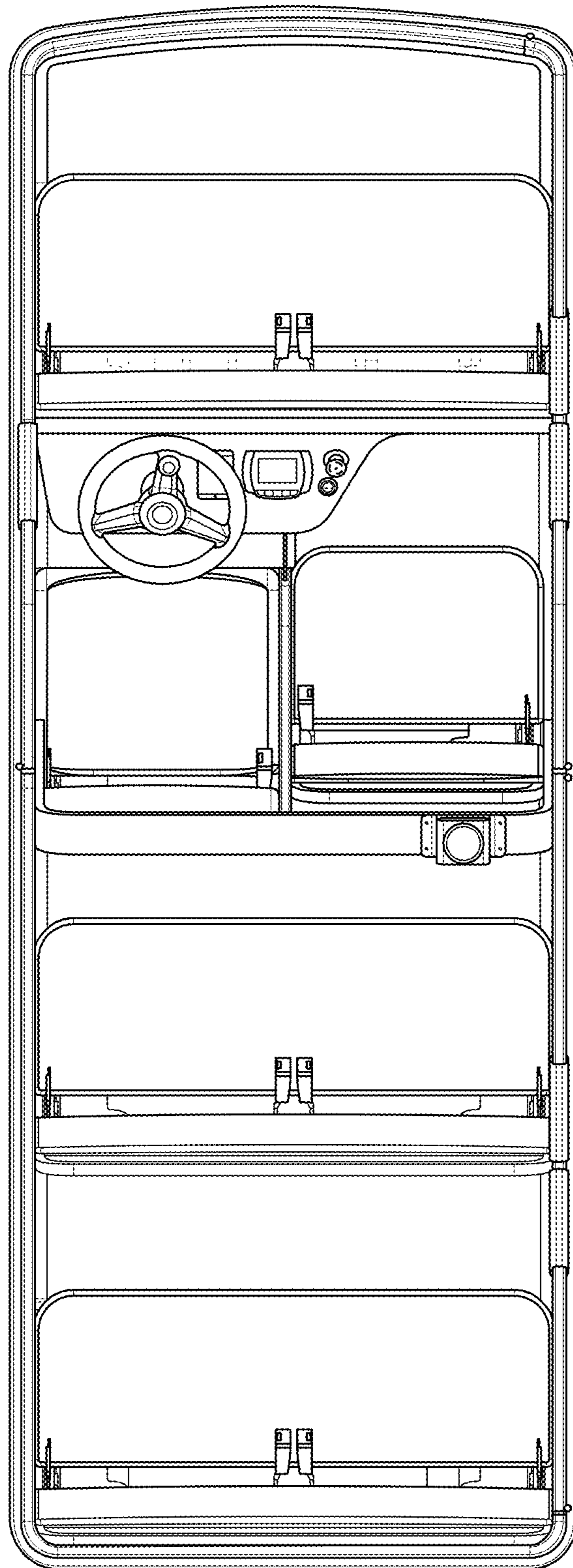


FIG. 3

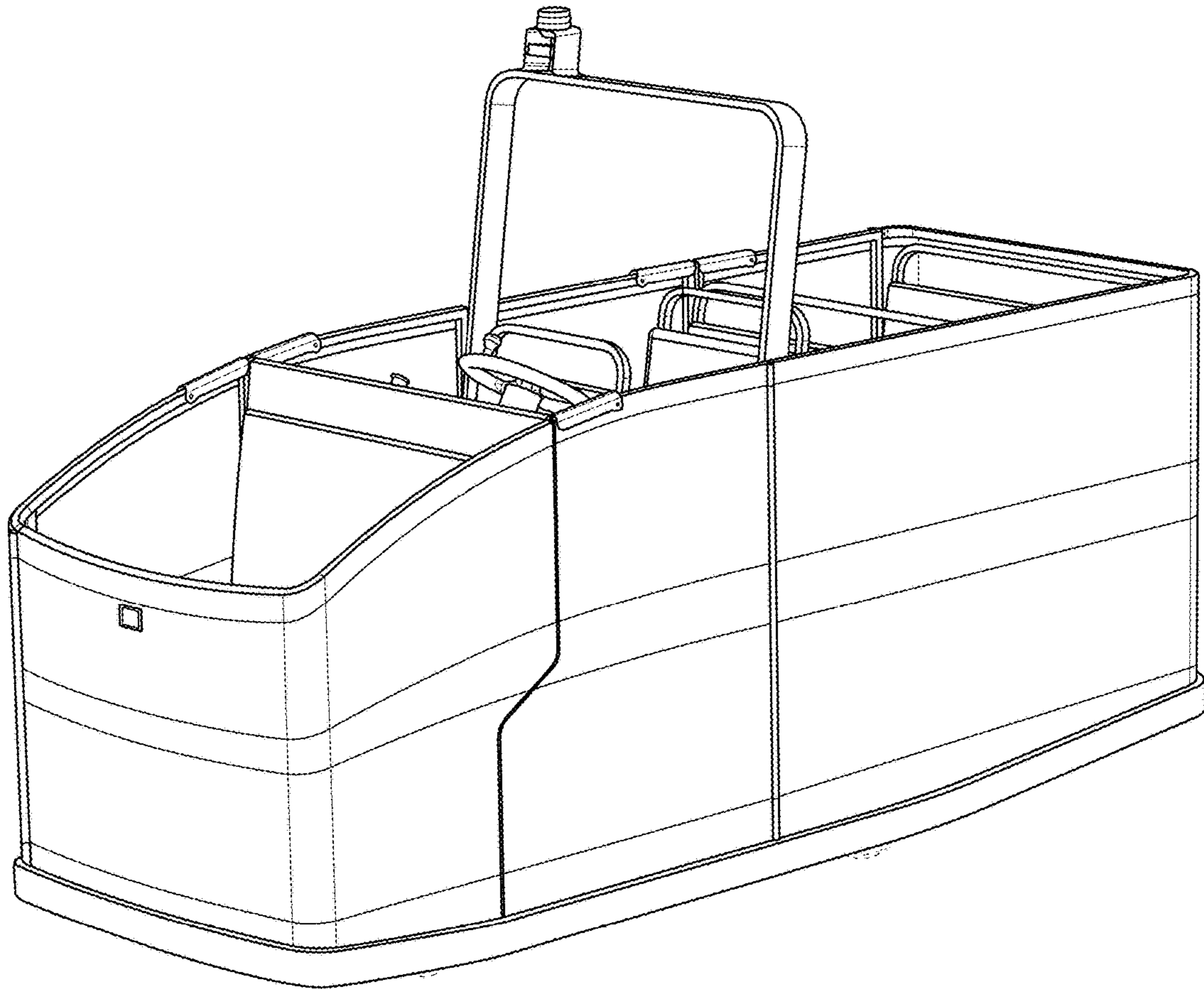


FIG. 4

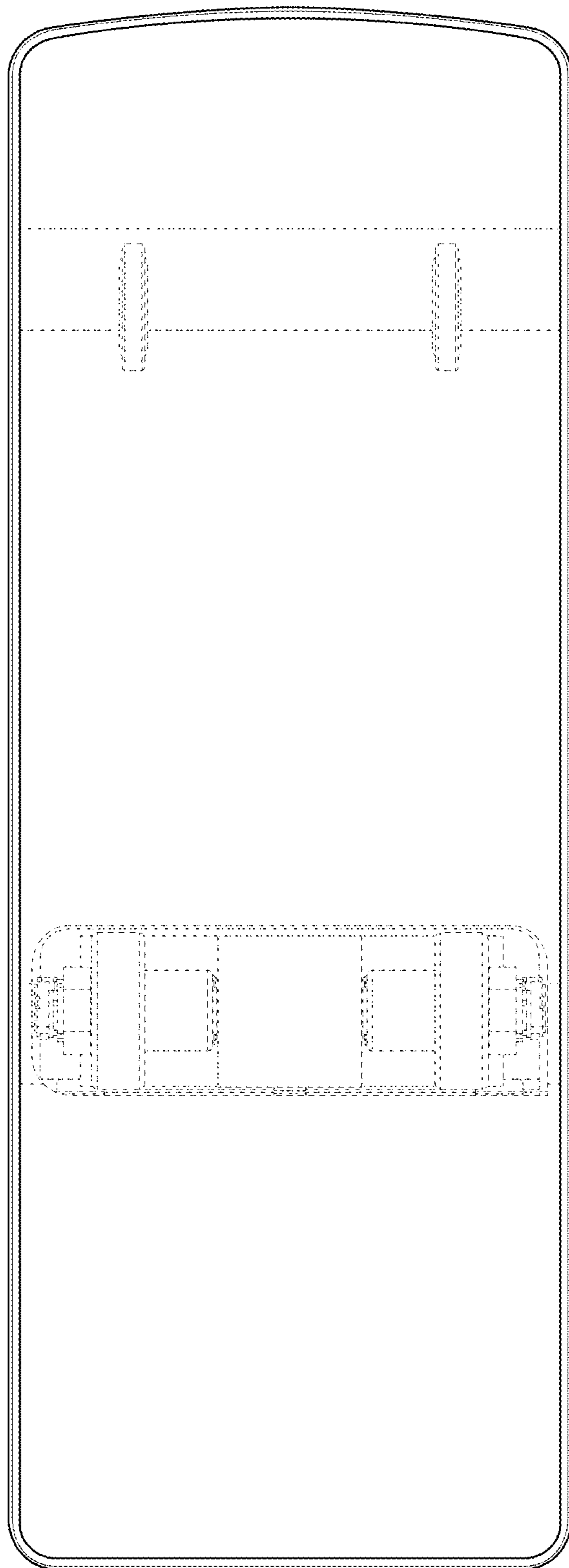


FIG. 5

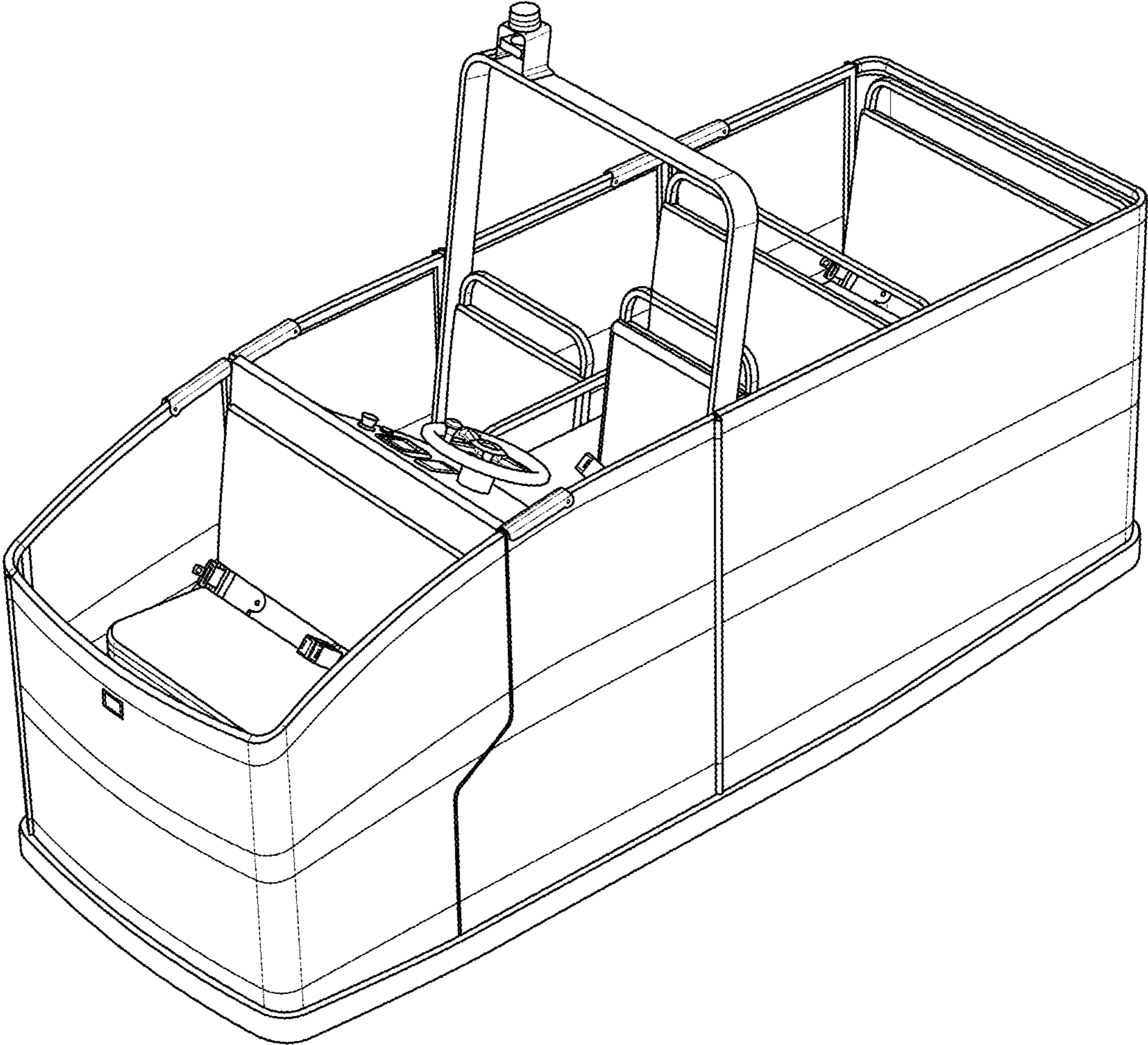


FIG. 6

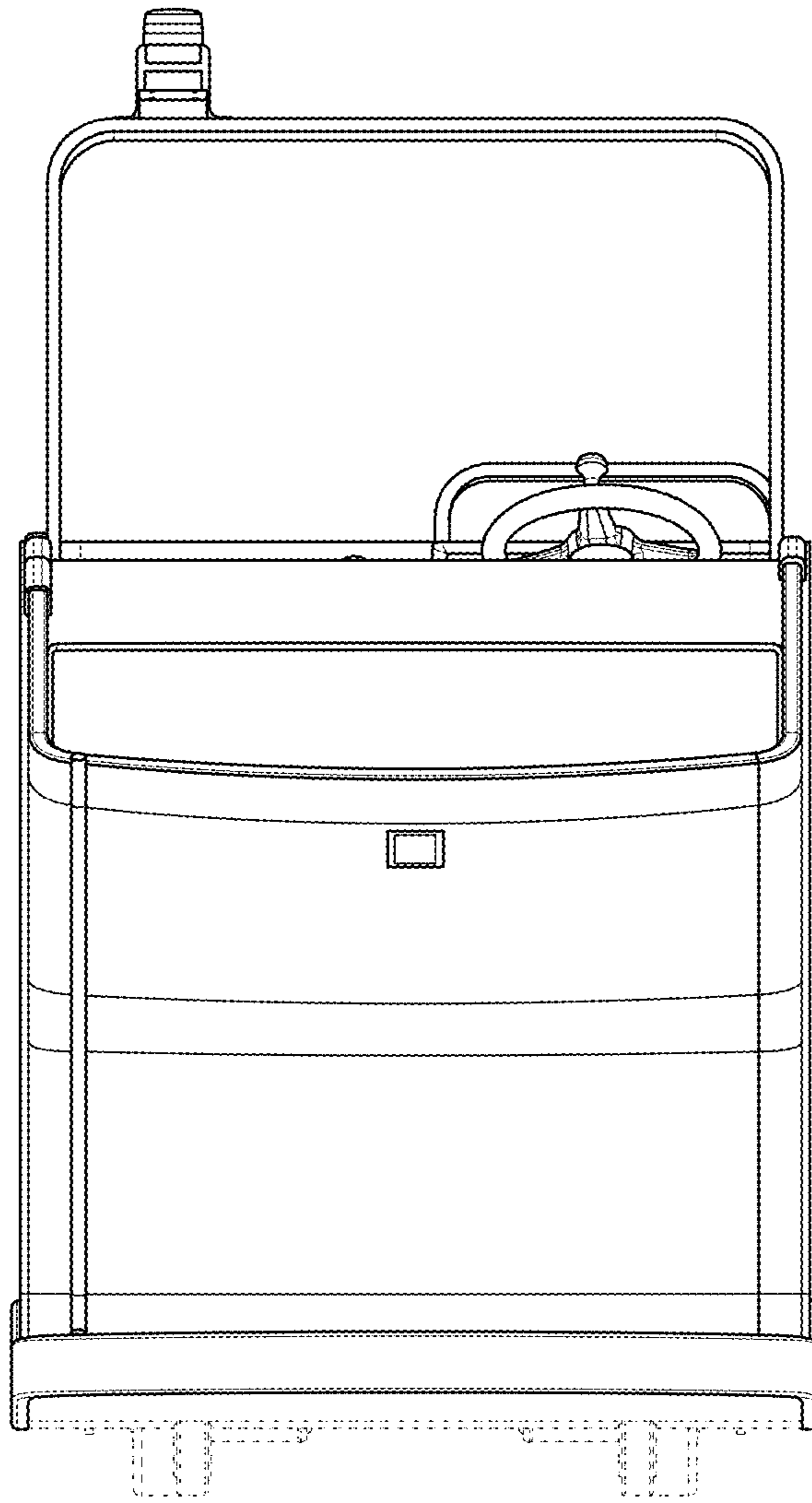


FIG. 7



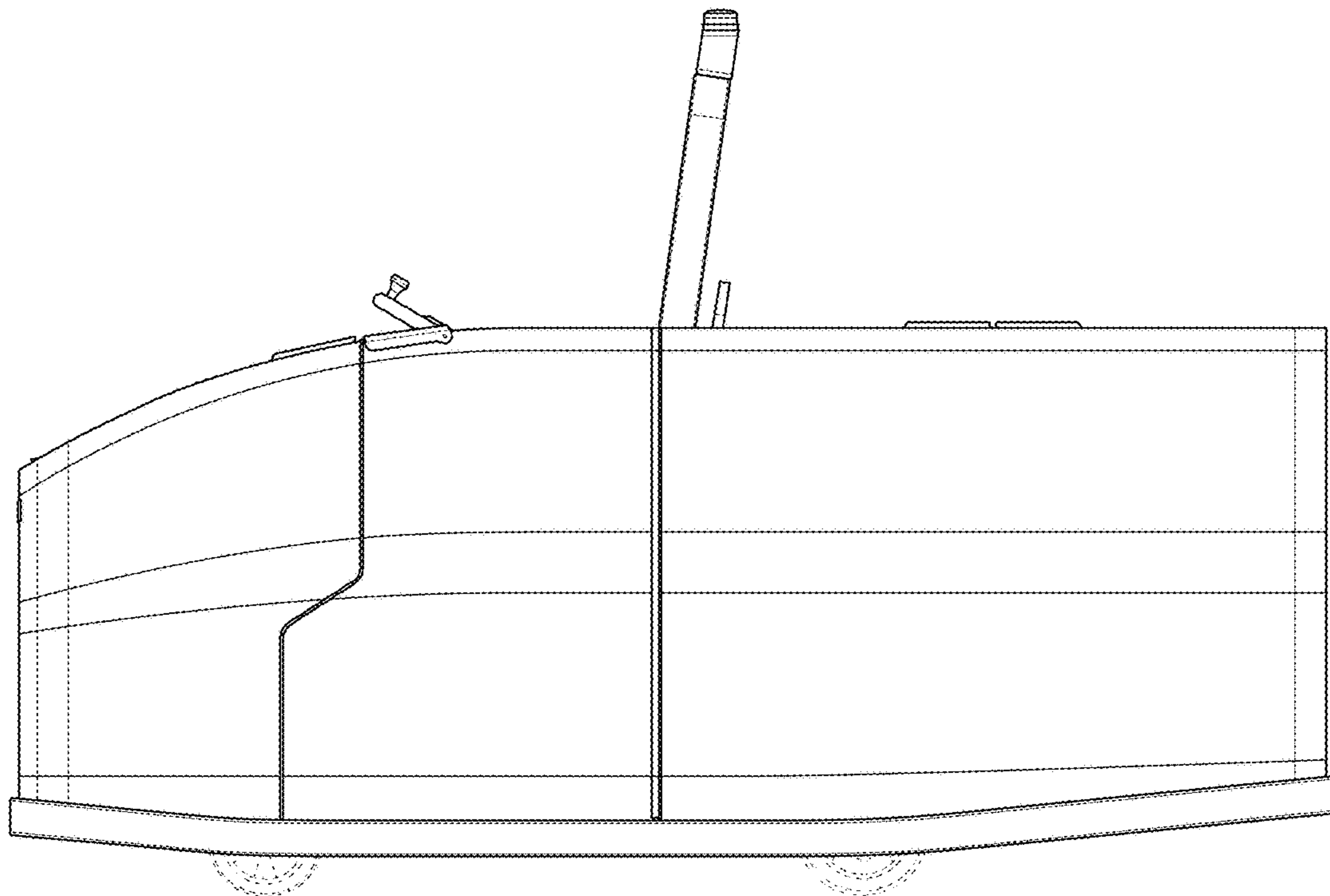


FIG. 8

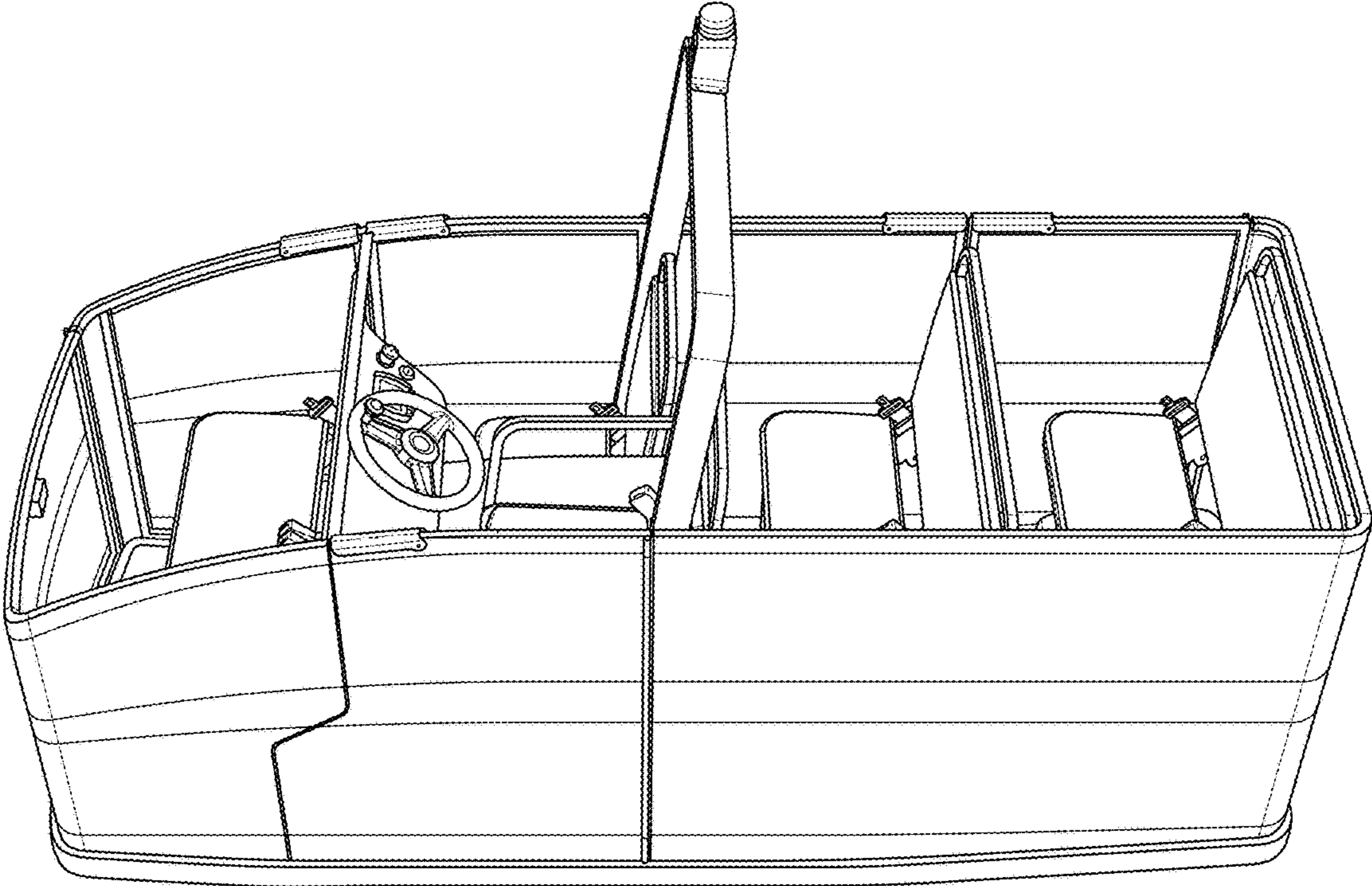


FIG. 9

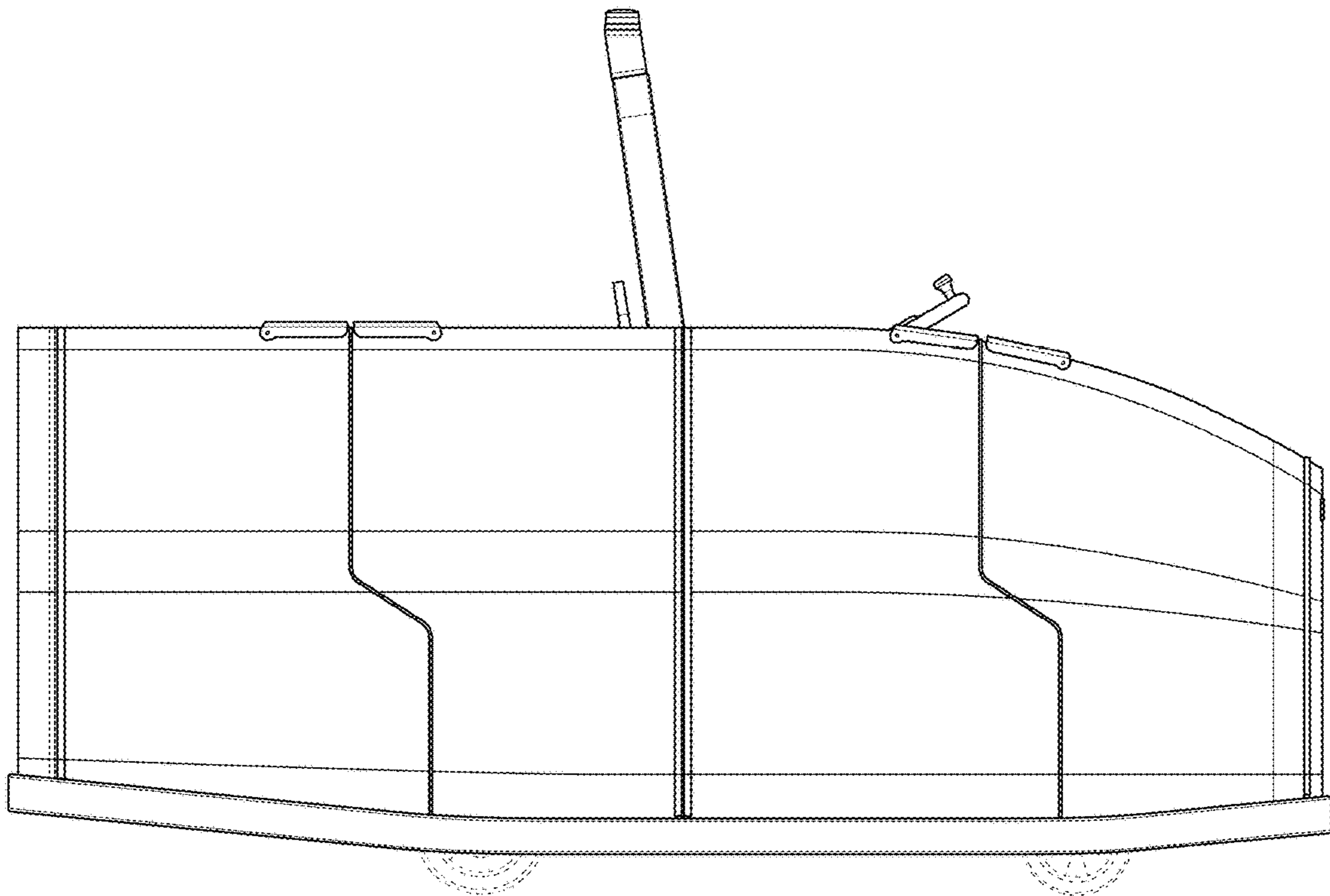


FIG. 10