



US00D811935S

(12) **United States Design Patent**  
**Hughes**

(10) **Patent No.:** **US D811,935 S**

(45) **Date of Patent:** **\*\* Mar. 6, 2018**

- (54) **SHIRT CUFF FASTENER**
- (71) Applicant: **Richard D Hughes**, Aurora, CO (US)
- (72) Inventor: **Richard D Hughes**, Aurora, CO (US)
- (\*\*) Term: **15 Years**
- (21) Appl. No.: **29/596,601**
- (22) Filed: **Mar. 9, 2017**
- (51) **LOC (11) Cl.** ..... **02-07**
- (52) **U.S. Cl.**  
USPC ..... **D11/222**
- (58) **Field of Classification Search**  
USPC ..... D11/200–217, 220, 222–230, 232, 30, 3,  
D11/4, 26, 27, 40; 24/16 PB, 102 E,  
24/102 FC, 102 P, 102 PL, 102 R,  
24/102 SL, 109–110, 113 R, 114.11, 90.5,  
24/97, 163 K; 63/3.1, 20, 29.1, 40;  
215/395–396  
CPC ..... A41F 17/00; A43B 1/0036; A44B 1/00;  
A44B 1/123; A44B 1/14; A44B 3/00;  
A44B 3/04; A44B 5/00; A44B 5/002;  
A44B 5/02; A44B 5/005; A44B 6/00;  
A44C 1/00; A44C 13/00; A44C 23/00;  
A44C 25/00; A44C 25/005; A44C  
25/007; A44C 3/00; A44C 3/002; A44C  
3/004; A44C 3/005; A44C 3/008  
See application file for complete search history.

- 4,318,207 A \* 3/1982 Stroud ..... A44B 11/25  
24/163 K
- D286,226 S \* 10/1986 Seehase ..... D11/232
- D290,448 S \* 6/1987 Seehase ..... D11/232
- D473,820 S \* 4/2003 Ming ..... D11/220
- D537,754 S \* 3/2007 Flores ..... D11/226
- D688,159 S \* 8/2013 Farabow ..... D11/232
- D712,307 S \* 9/2014 Wang ..... D11/222
- D729,690 S \* 5/2015 Riviere ..... D11/222
- D761,158 S \* 7/2016 Riviere ..... D11/222

\* cited by examiner

*Primary Examiner* — Ian Simmons

*Assistant Examiner* — Mark A. Cavanna

(74) *Attorney, Agent, or Firm* — Patent Law Offices of Rick Martin, P.C.

(57) **CLAIM**

The ornamental design for a shirt cuff fastener, as shown and described.

**DESCRIPTION**

FIG. 1 is a top perspective view of my shirt cuff fastener;  
 FIG. 2 is a bottom perspective view of my design;  
 FIG. 3 is a top plan view of my design;  
 FIG. 4 is a bottom plan view of my design;  
 FIG. 5 is a front elevation view of my design;  
 FIG. 6 is a rear elevation view of my design;  
 FIG. 7 is a left side elevation view of my design, wherein a right side elevation view is a mirror image thereof; and,  
 FIG. 8 is a top perspective view of my design in use with a lanyard on a shirt cuff.

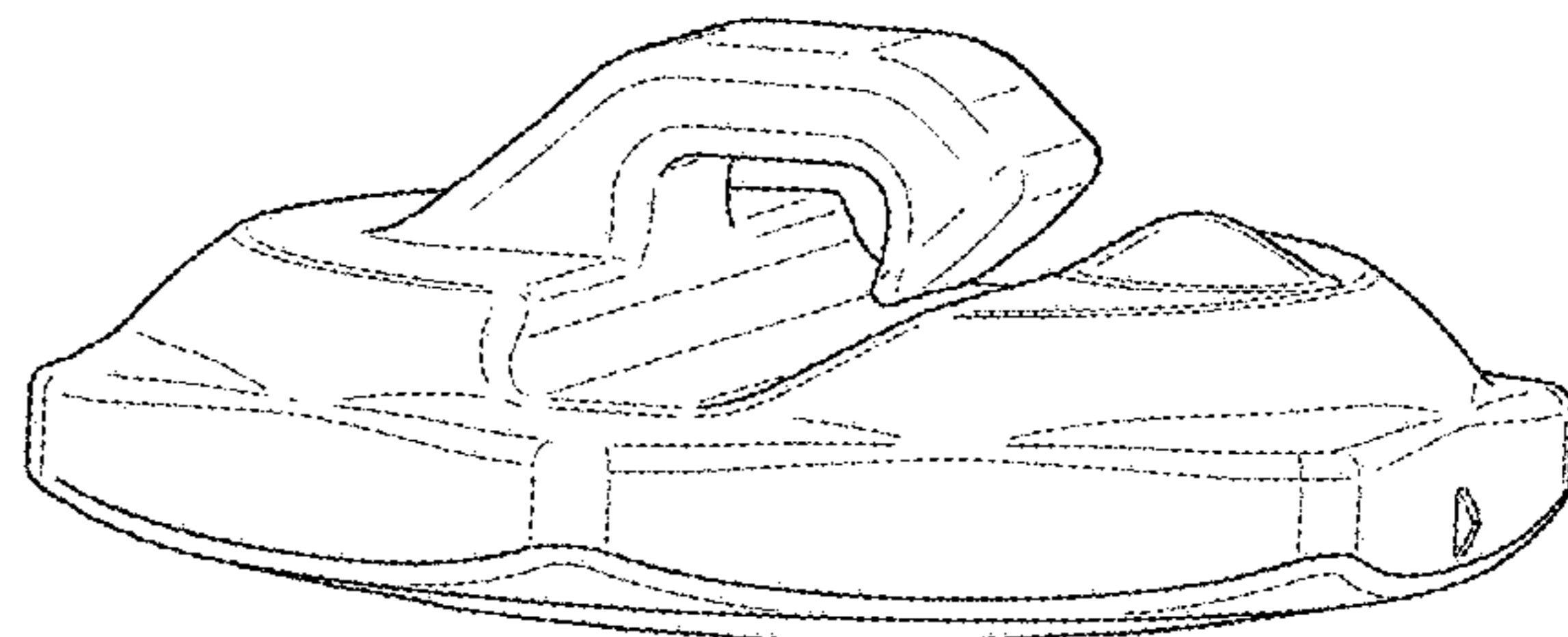
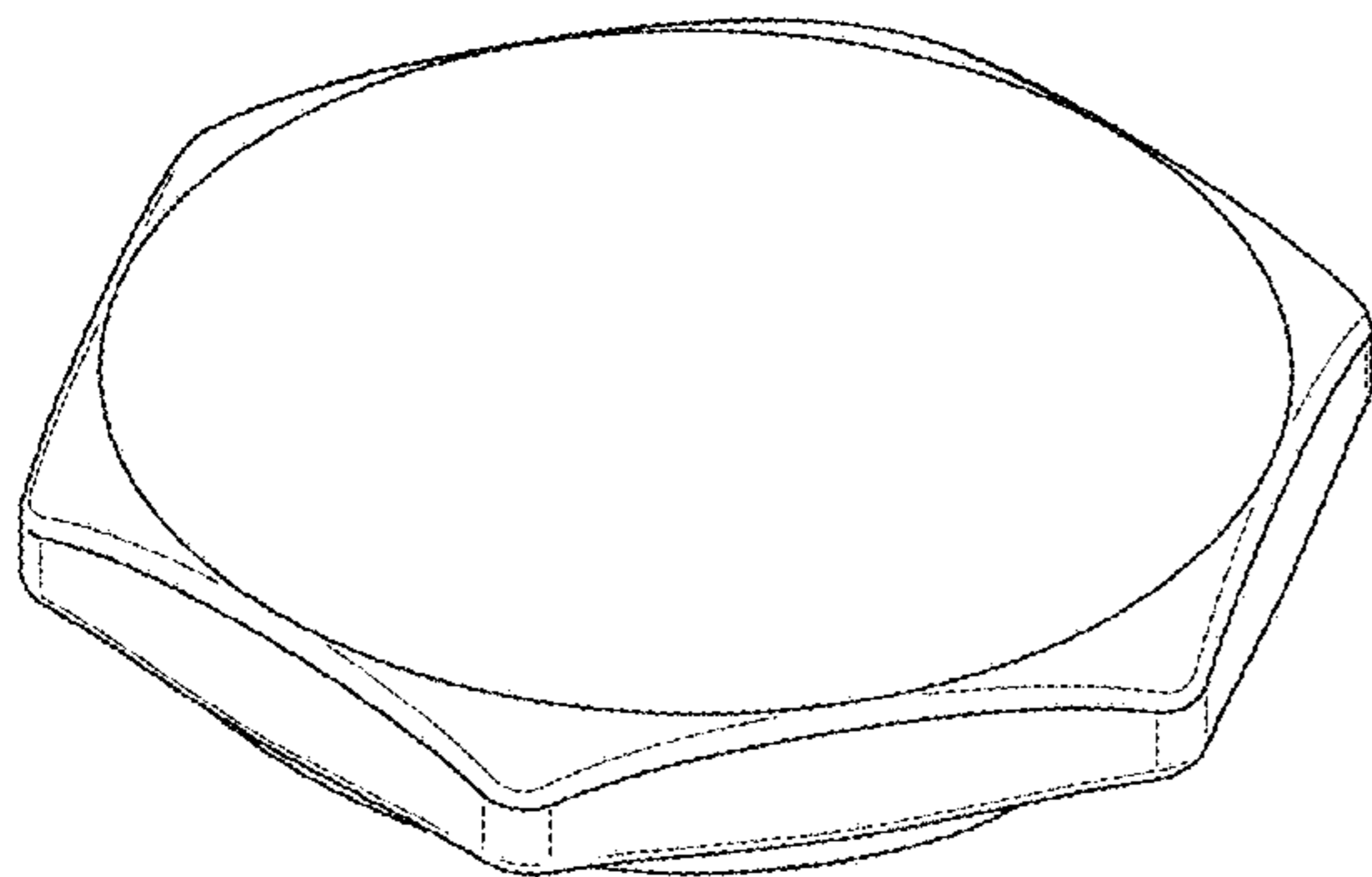
The broken lines showing a shirt cuff and a lanyard are included for the purpose of showing an environment of use of the shirt cuff fastener and form no part of the claimed design.

**1 Claim, 4 Drawing Sheets**

(56) **References Cited**

U.S. PATENT DOCUMENTS

- 1,474,352 A \* 11/1923 Folkman ..... A44B 5/02  
24/109
- 1,719,904 A \* 7/1929 Sauer ..... A44B 1/14  
24/113 R
- 1,757,369 A \* 5/1930 Humphries ..... A44B 5/02  
24/102 SL
- D173,806 S \* 1/1955 Levine ..... D11/222



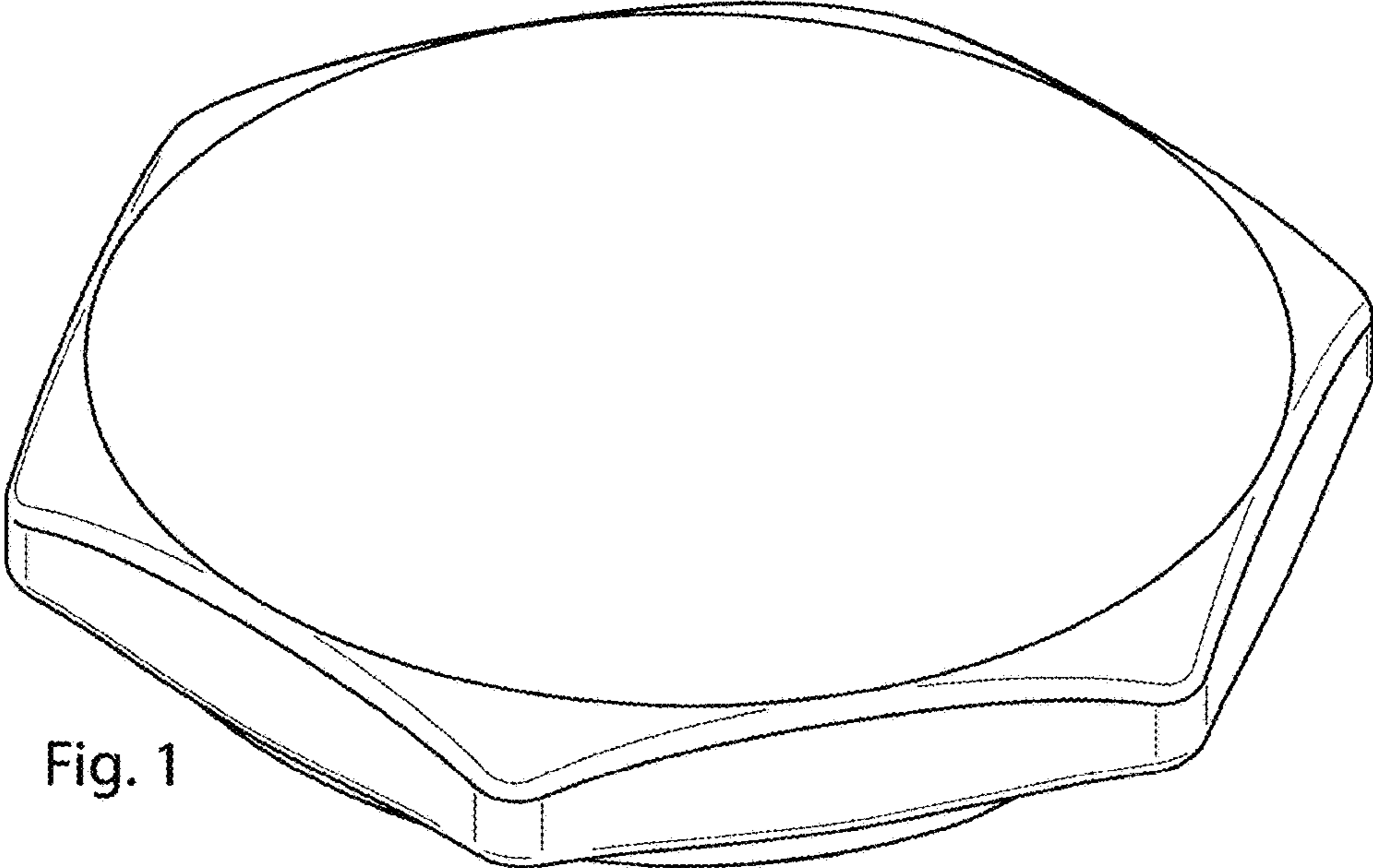


Fig. 1

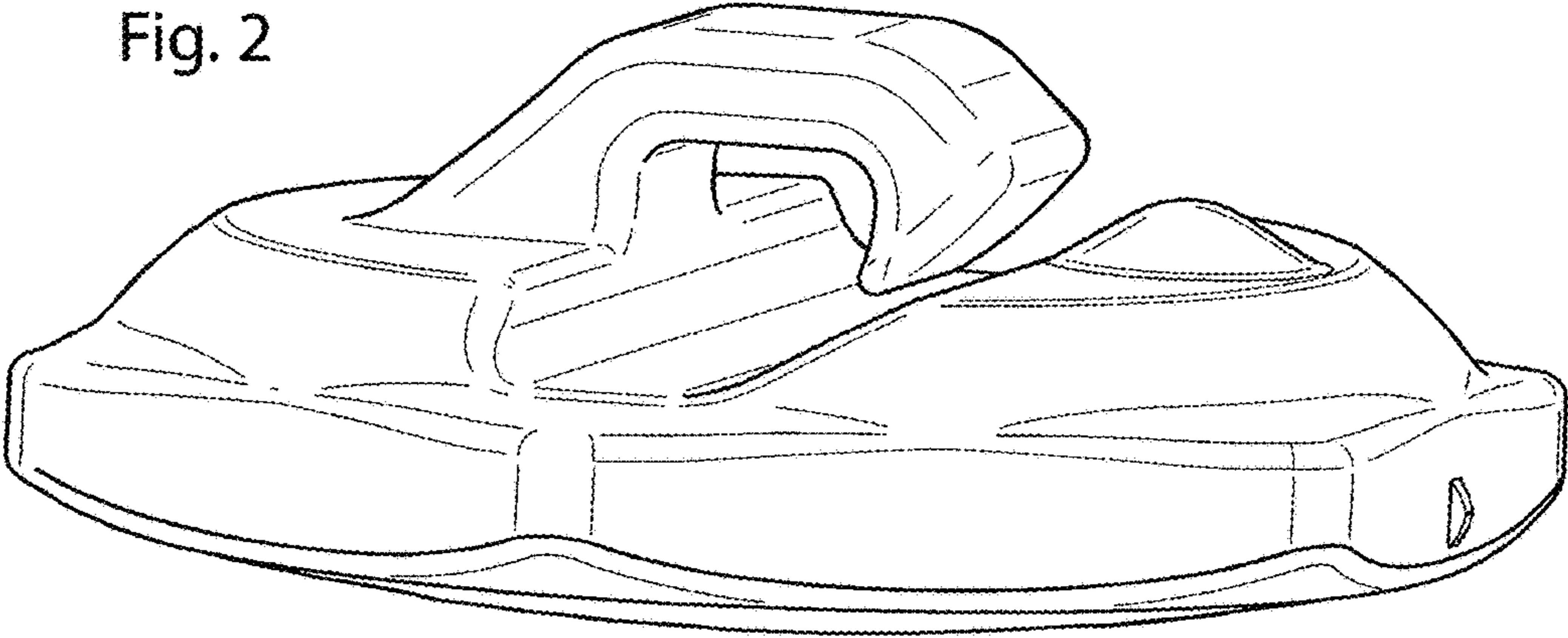


Fig. 2

Fig. 3

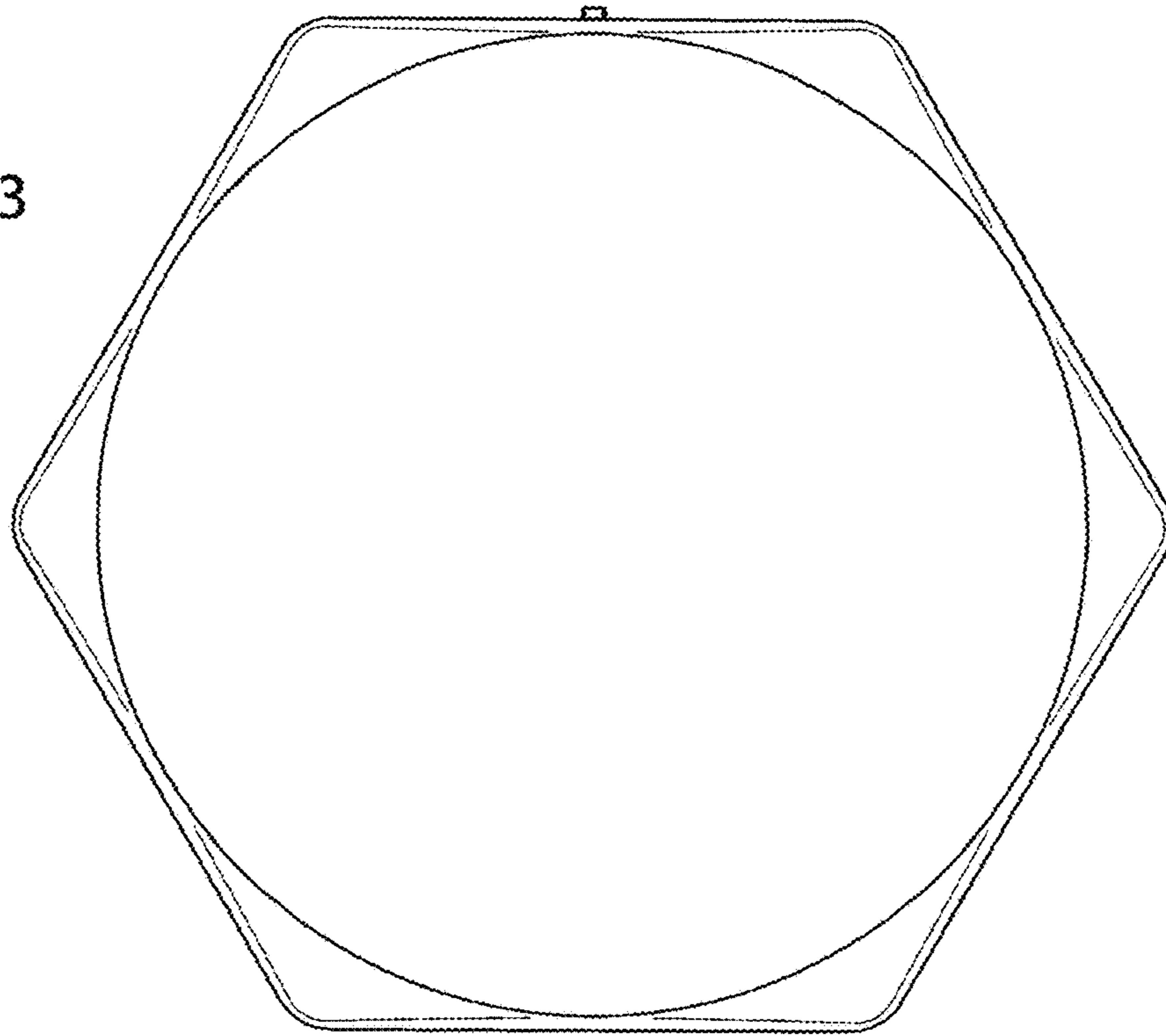
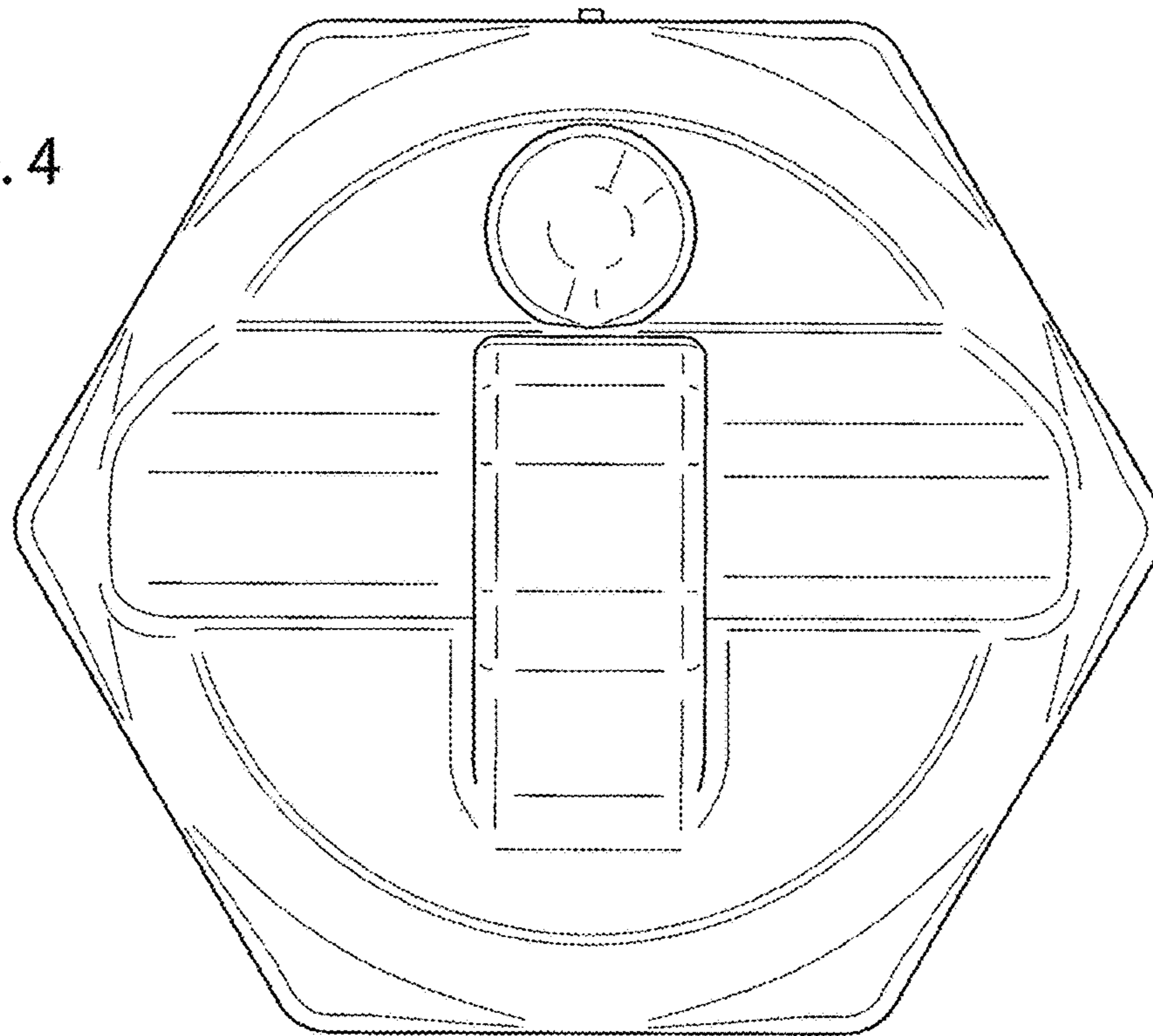


Fig. 4



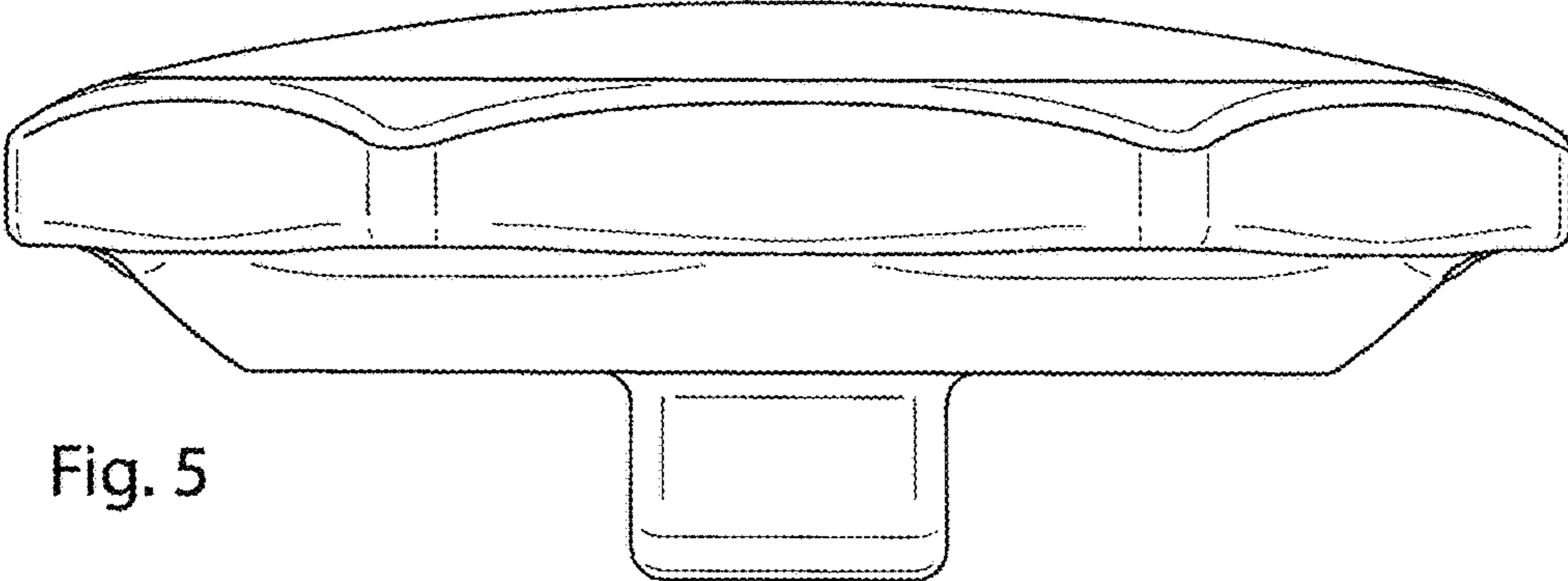


Fig. 5

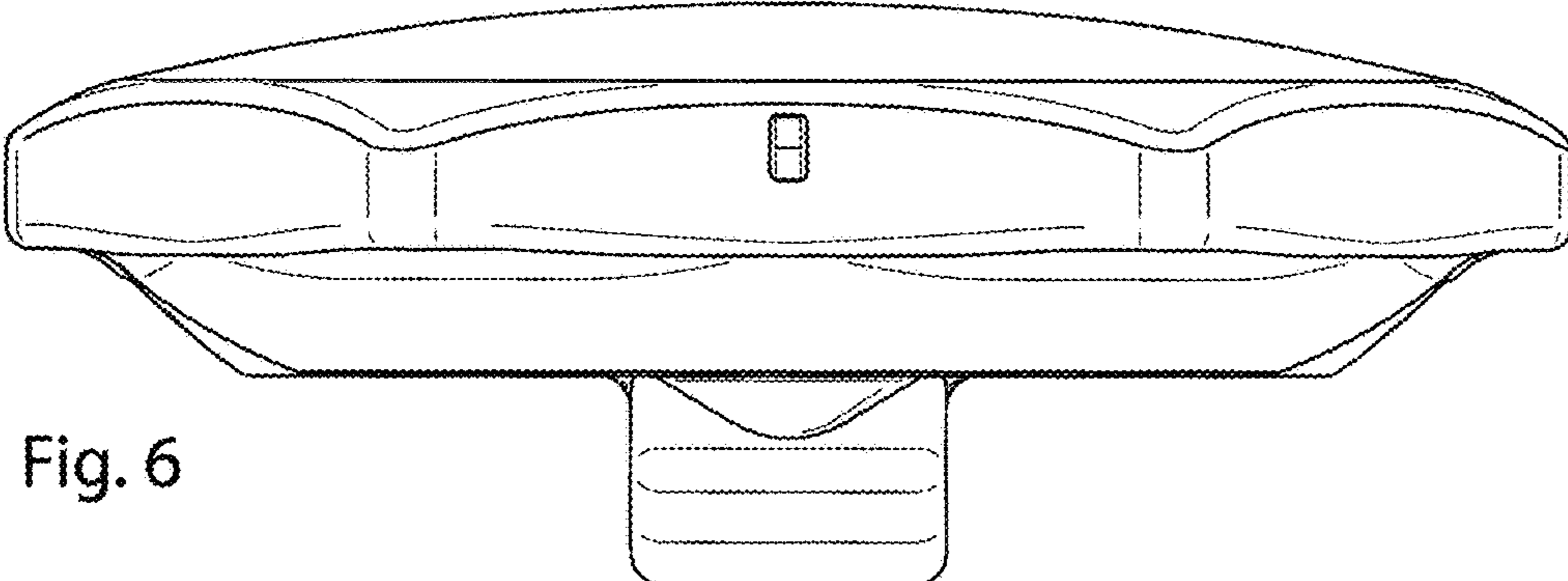


Fig. 6

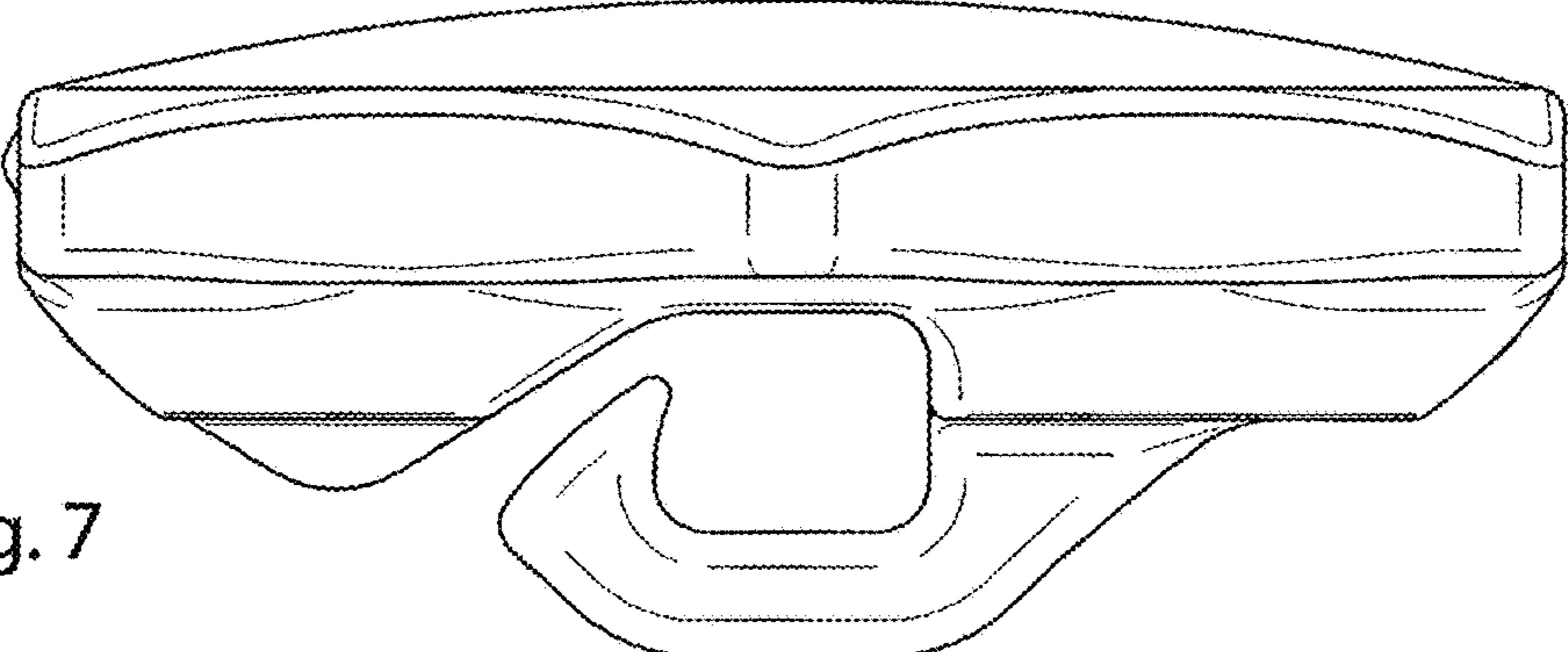


Fig. 7

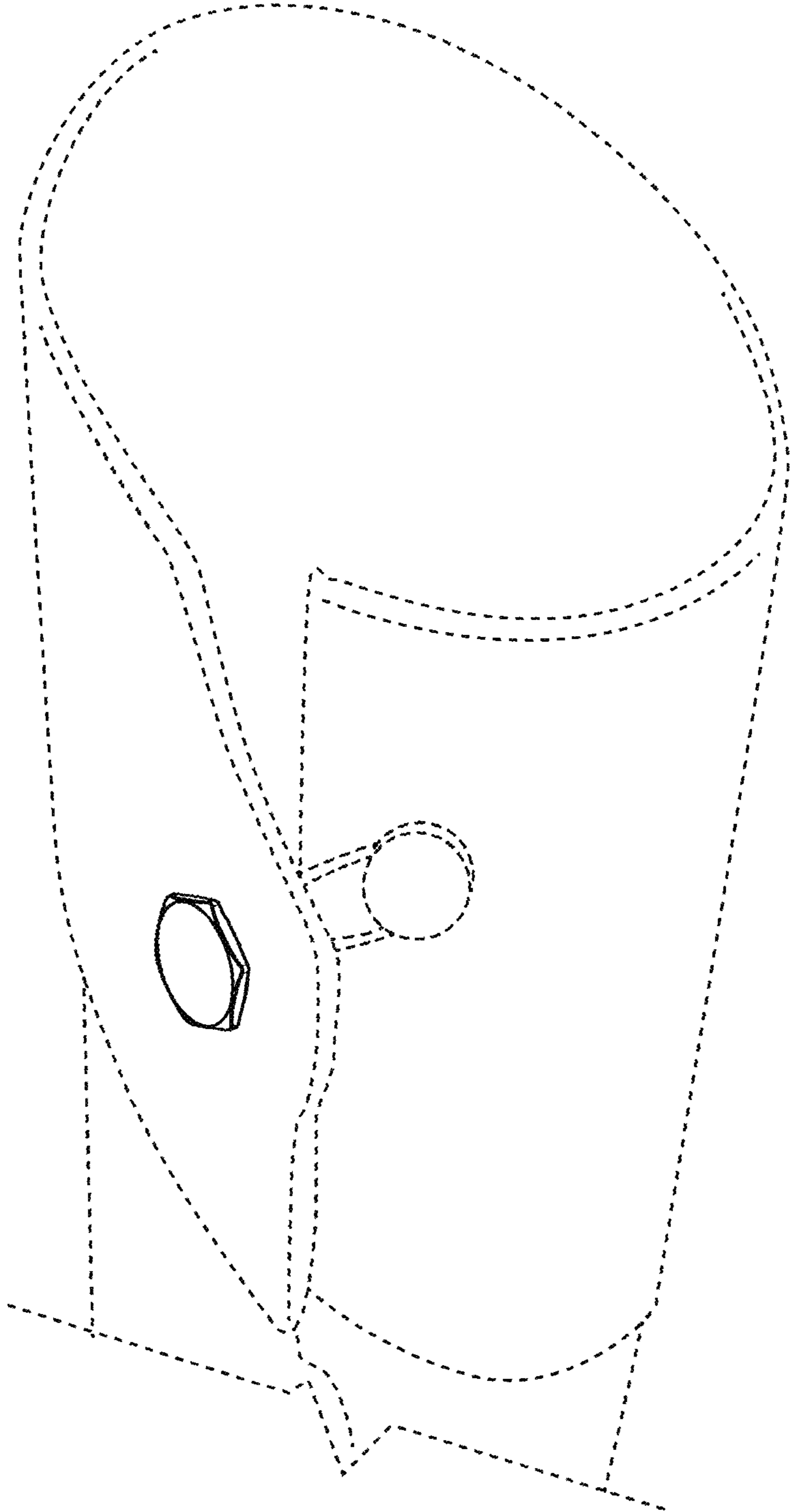


Fig. 8