



US00D811934S

(12) **United States Design Patent**  
**Martinet et al.**

(10) **Patent No.:** **US D811,934 S**  
(45) **Date of Patent:** **\*\* Mar. 6, 2018**

(54) **CLASP ASSEMBLY**

(71) Applicant: **Victoria's Secret Stores Brand Management, Inc.**, Reynoldsburg, OH (US)

(72) Inventors: **Nathalie Martinet**, Saikung (HK); **Chi Wing Leslie Lin**, Kowloon (HK)

(73) Assignee: **Victoria's Secret Stores Brand Management, Inc.**, Reynoldsburg, OH (US)

(\*\*) Term: **15 Years**

(21) Appl. No.: **29/572,535**

(22) Filed: **Jul. 28, 2016**

(51) **LOC (11) Cl.** ..... **02-07**

(52) **U.S. Cl.**  
USPC ..... **D11/218**

(58) **Field of Classification Search**  
USPC ..... D11/1-2, 200-201, 206-210, 212-219;  
24/163 R, 169-171, 173, 177-179, 191,  
(Continued)

(56) **References Cited**

**U.S. PATENT DOCUMENTS**

3,520,033 A \* 7/1970 Usuda ..... A44B 11/2588  
24/590.1  
3,979,801 A \* 9/1976 Tareau ..... A41F 1/006  
24/587.12

(Continued)

**OTHER PUBLICATIONS**

10set Gold Tone Metal Clasp, AliExpress.com, [online], [site visited Jul. 28, 2017]. <URL: <https://www.aliexpress.com/item/10set-Gold-Tone-Metal-Clasp-Rectangle-Tape-Closure-Waist-Extender-Hooks-Eyes-Clasps-32mm-Sewing-Garment/32756749698.html?spm=2114.search0305.4.26.GjUalc>>.\*

(Continued)

*Primary Examiner* — T. Chase Nelson

*Assistant Examiner* — Jonathan J. Han

(74) *Attorney, Agent, or Firm* — Andrus Intellectual Property Law, LLP

(57) **CLAIM**

The ornamental design for a clasp assembly, as shown and described.

**DESCRIPTION**

FIG. 1 is a front perspective view of a first embodiment of our new and ornamental design for a clasp assembly, showing the first embodiment of the clasp assembly in a clasped position;

FIG. 2 is a back perspective view thereof;

FIG. 3 is a front elevation view thereof;

FIG. 4 is a back elevation view thereof;

FIG. 5 is a left side elevation view thereof;

FIG. 6 is a right side elevation view thereof;

FIG. 7 is a top plan view thereof;

FIG. 8 is a bottom plan view thereof;

FIG. 9 is a front elevation view thereof, showing the first embodiment of the clasp assembly in an alternate, unclasped position;

FIG. 10 is a back elevation view thereof;

FIG. 11 is a top plan view thereof;

FIG. 12 is a bottom plan view thereof;

FIG. 13 is a front view of the first embodiment of the clasp assembly, showing the first embodiment of the clasp assembly in the clasped position and in use between two cups of a brassiere;

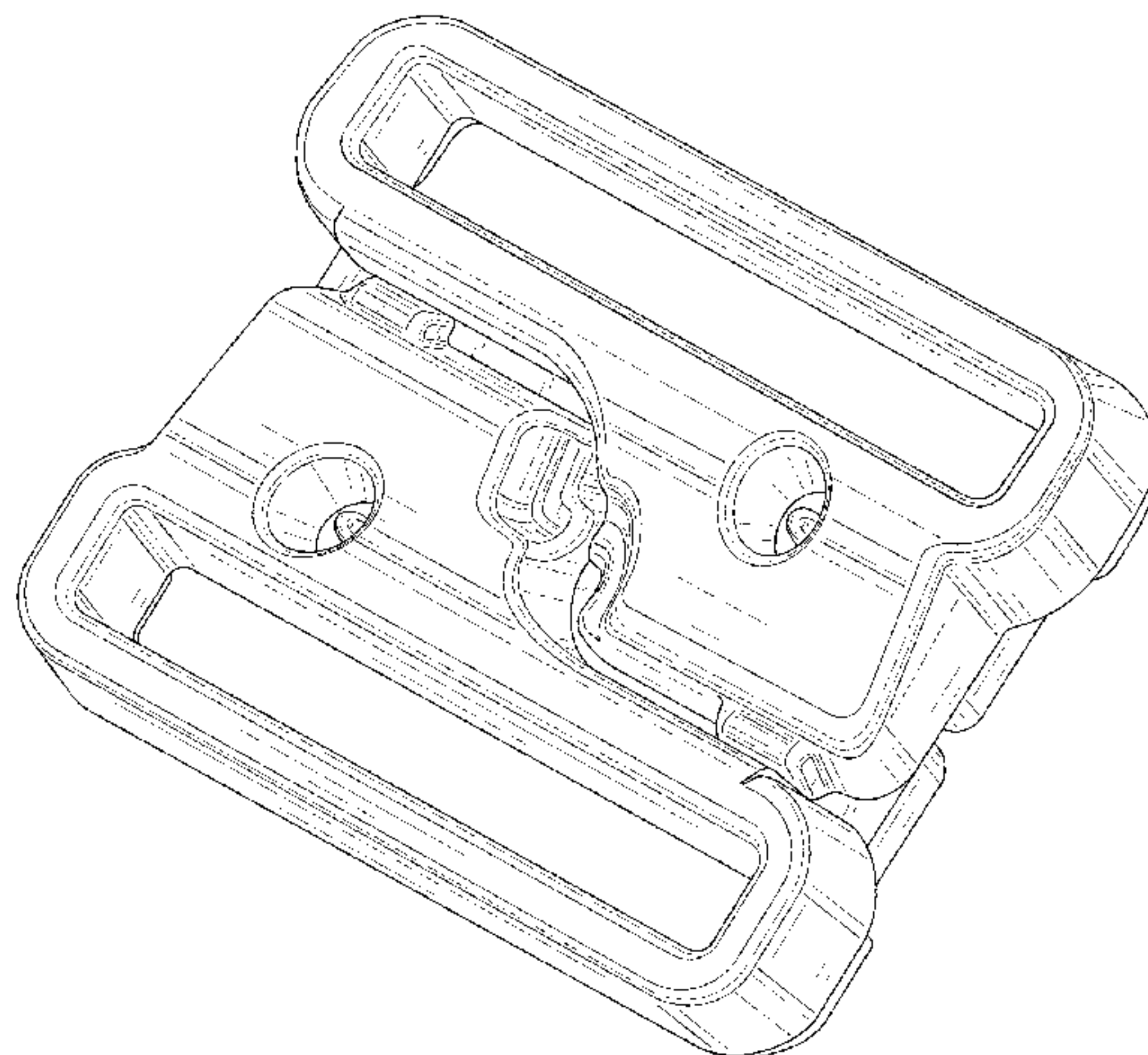
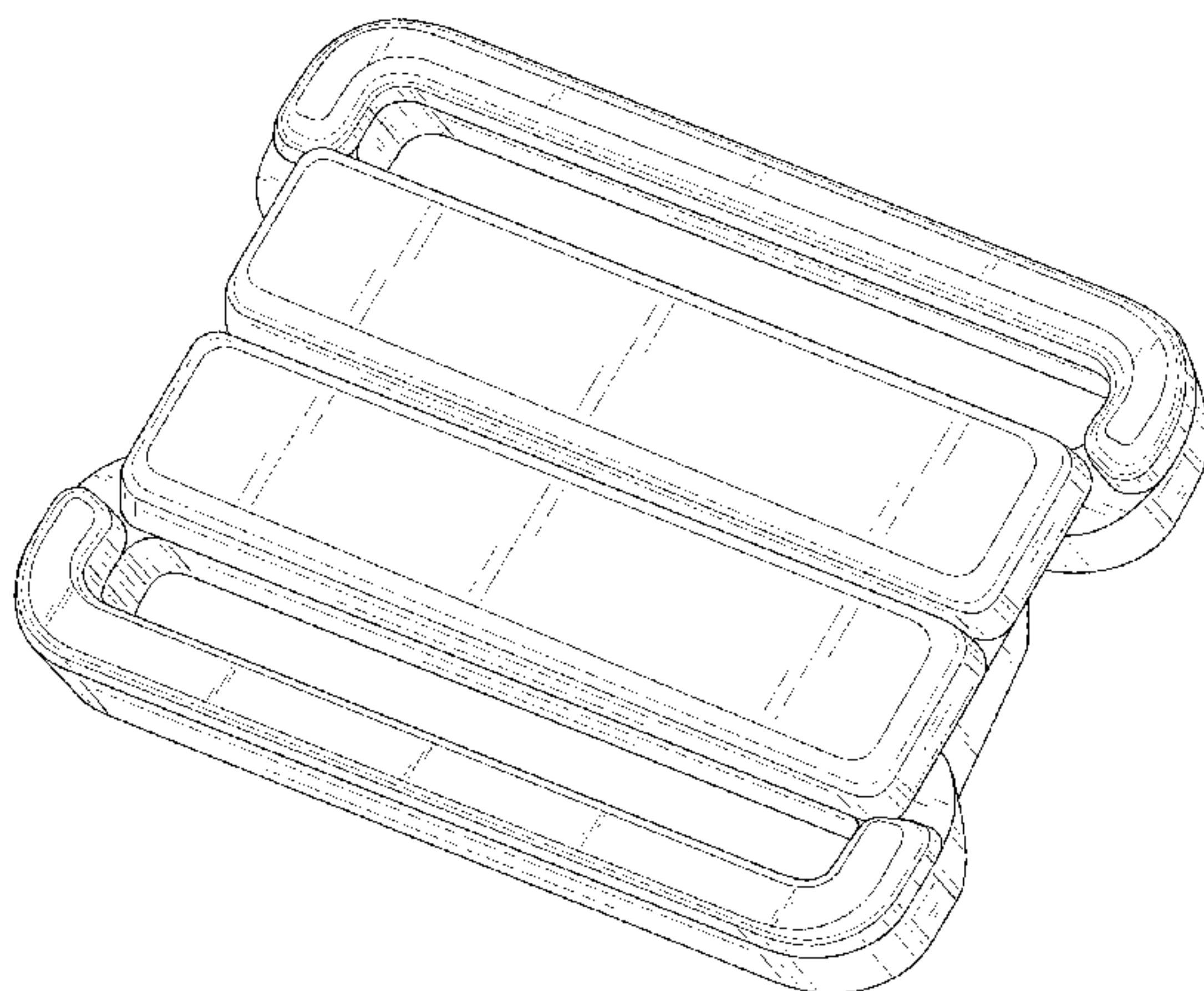
FIG. 14 is a front view of the first embodiment of the clasp assembly, showing the first embodiment of the clasp assembly in the clasped position and in use between a strap and a wing of the brassiere; and

FIG. 15 is a front perspective view of a second embodiment of the clasp assembly, the only difference from the first embodiment being that the second embodiment has break lines to indicate that any portions that are not shown form no part of the claimed design; and,

FIG. 16 is a rear perspective view thereof.

In FIGS. 13 and 14, the broken lines depict environmental subject matter; the broken lines and the subject matter they

(Continued)



depict form no part of the claimed design. In FIGS. 15 and 16, the pairs of break lines in the drawings of the second embodiment of the clasp assembly indicate that any portion of the clasp assembly between the break lines forms no part of the claimed design. All other views of the second embodiment of the clasp assembly are the same as those shown in FIGS. 3-14, with the exception that the second embodiment of the clasp assembly makes no claim of portions between the locations of the break lines in FIGS. 15 and 16.

**1 Claim, 15 Drawing Sheets**

(58) **Field of Classification Search**

USPC ..... 24/194-195, 197, 198, 200, 614-616,  
24/625, 630, 578.11, 578.1, 163 K, 114;  
D8/349, 395, 356  
CPC ..... A44B 11/06; A44B 11/26; A44B 11/25;  
A41F 11/04  
See application file for complete search history.

(56) **References Cited**

U.S. PATENT DOCUMENTS

4,000,544	A *	1/1977	Fildan	.....	A41C 3/02 24/312
4,699,747	A *	10/1987	Lovato	.....	A44B 11/10 264/242
5,243,740	A *	9/1993	Wakabayashi	.....	A44B 11/02 24/170
D349,473	S *	8/1994	Fildan	.....	D11/212
D352,678	S *	11/1994	Fildan	.....	D11/212
D356,525	S *	3/1995	Fildan	.....	D11/200
D387,014	S *	12/1997	Matoba	.....	D11/200
6,108,276	A *	8/2000	Chen	.....	G04B 37/1433 24/163 K
D440,905	S *	4/2001	Fildan	.....	D11/218
D475,653	S *	6/2003	Fildan	.....	D11/216
D498,175	S *	11/2004	Ledein	.....	D11/218
8,225,468	B2	7/2012	Wanzenboeck		
D714,682	S *	10/2014	Paik	.....	D11/216
D715,184	S *	10/2014	Howard McElroy	.....	D11/200
D728,416	S *	5/2015	Kolasa	.....	D11/216

D732,423	S *	6/2015	Fildan	.....	D11/218
D737,722	S	9/2015	Muhlenfeld et al.		
D740,168	S *	10/2015	Fildan	.....	D11/218
9,578,911	B2 *	2/2017	Fildan		
D781,176	S *	3/2017	Fildan	.....	D11/216
2006/0166602	A1	7/2006	Cho		
2010/0071173	A1 *	3/2010	Hortnagl	.....	A44B 11/2592 24/651
2016/0113341	A1 *	4/2016	Fildan	.....	A41F 1/006 450/91
2016/0157564	A1 *	6/2016	Howell	.....	A44B 11/266 24/586.1
2016/0174667	A1 *	6/2016	Hsu	.....	F16B 2/18 24/611
2016/0338452	A1 *	11/2016	Fildan	.....	A44B 11/2588
2017/0049193	A1 *	2/2017	Kolasa	.....	A44B 11/2596
2017/0164671	A1 *	6/2017	Fildan	.....	A41F 1/006
2017/0164672	A1 *	6/2017	Fildan	.....	A41F 1/006

OTHER PUBLICATIONS

Off White Swimwear or Maternity Bra Clasp, BoobyTraps.com.au, [online], [site visited Jul. 28, 2017]. <URL: <https://boobytraps.com.au/berdashery/rings-slides-suspender-clips-and-swimwear-hooks/lingerie-bikini-connectors/off-white-swimwear-or-maternity-bra-clasp>>.\*

2 Bikini Clips Hook & Snap Plastic Clasps, Ebay.co.uk, [online], [site visited Jul. 28, 2017]. <URL: <http://www.ebay.co.uk/itm/2-BIKINI-CLIPS-HOOK-SNAP-PLASTIC-CLASPS-20MM-STRAP-BRA-FASTENER-SWIMWEAR-/201465997137>>.\*

20set Craft Plastic Black Rectangle Tape Closure & Clasp Fasteners, Amazon.com, [online], [site visited Jul. 28, 2017]. <URL: [https://www.amazon.com/Plastic-Rectangle-Closure-Fasteners-Supplies/dp/B01FTVODUM/ref=sr\\_1\\_23?s=arts-crafts&ie=UTF8&qid=1501258577&sr=1-23&keywords=bra+clasp](https://www.amazon.com/Plastic-Rectangle-Closure-Fasteners-Supplies/dp/B01FTVODUM/ref=sr_1_23?s=arts-crafts&ie=UTF8&qid=1501258577&sr=1-23&keywords=bra+clasp)>.\*

Front Bra Closures, SewSassy.com, [online], [site visited Jul. 28, 2017]. <URL: <http://www.sewsassy.com/BraProducts/front-bra-closures.html>>.\*

10pcs/lot 14mm/20mm Craft Rectangle Tape Closure Hook & Clasp Waist, Wanelo.co, [online], [site visited Jul. 28, 2017]. <URL: <https://wanelo.co/p/70964437/10pcs-lot-14mm-20mm-craft-silver-gold-metal-rectangle-tape-closure-hook-clasp-waist-extenders-sewing-on-clothes-bra-clip-hooks>>.\*

\* cited by examiner





FIG. 1

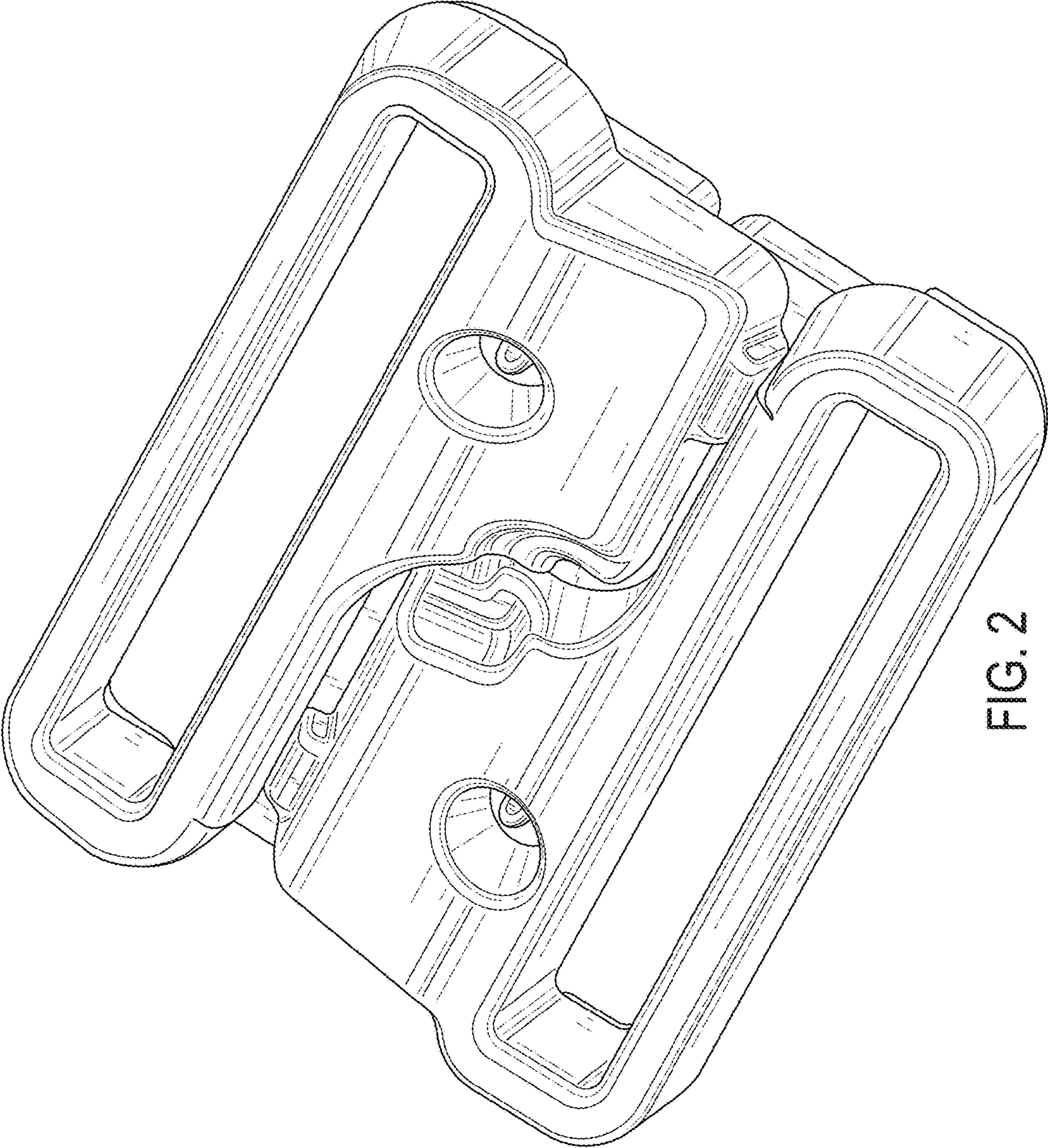


FIG. 2

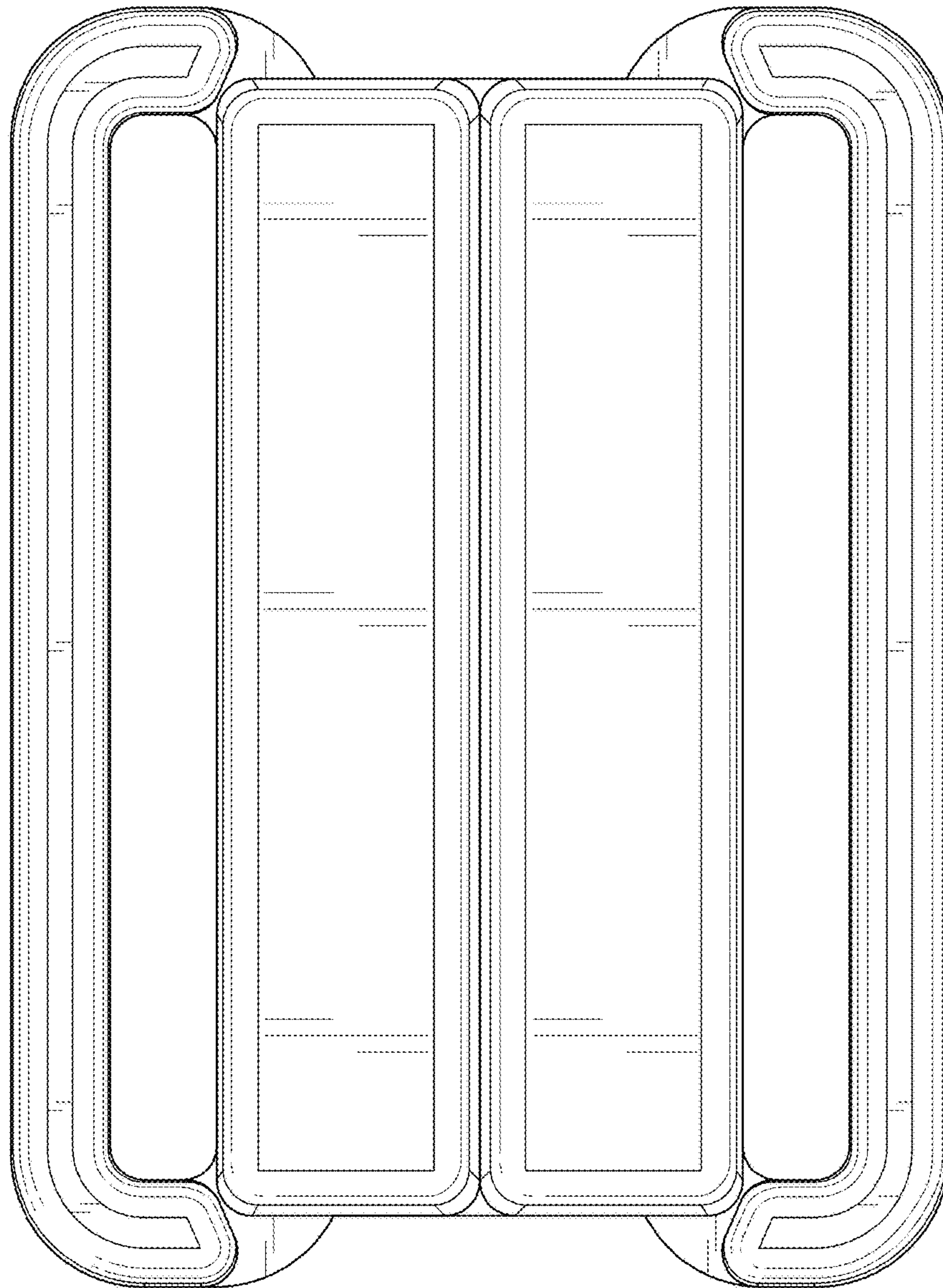


FIG. 3



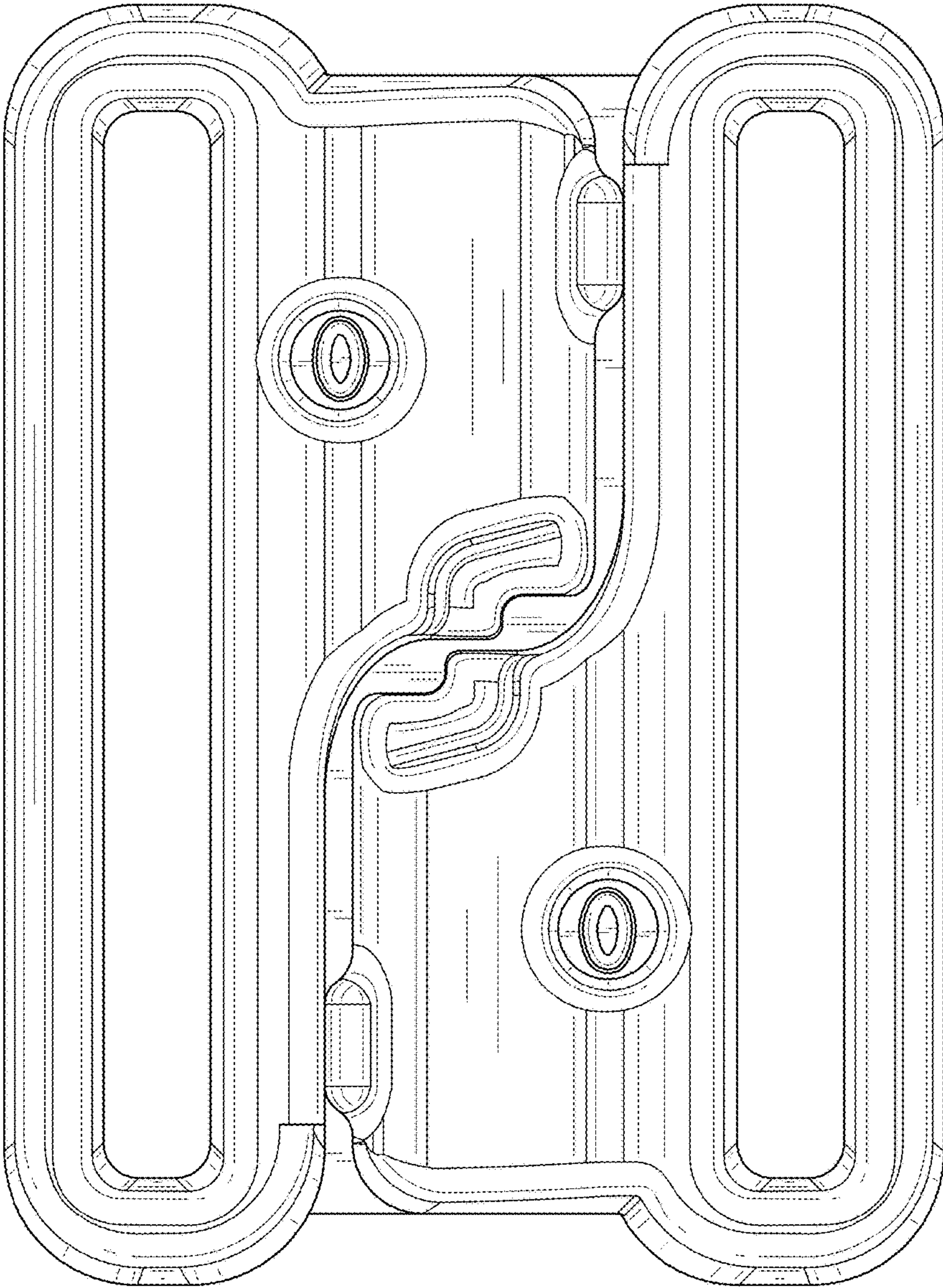


FIG. 4

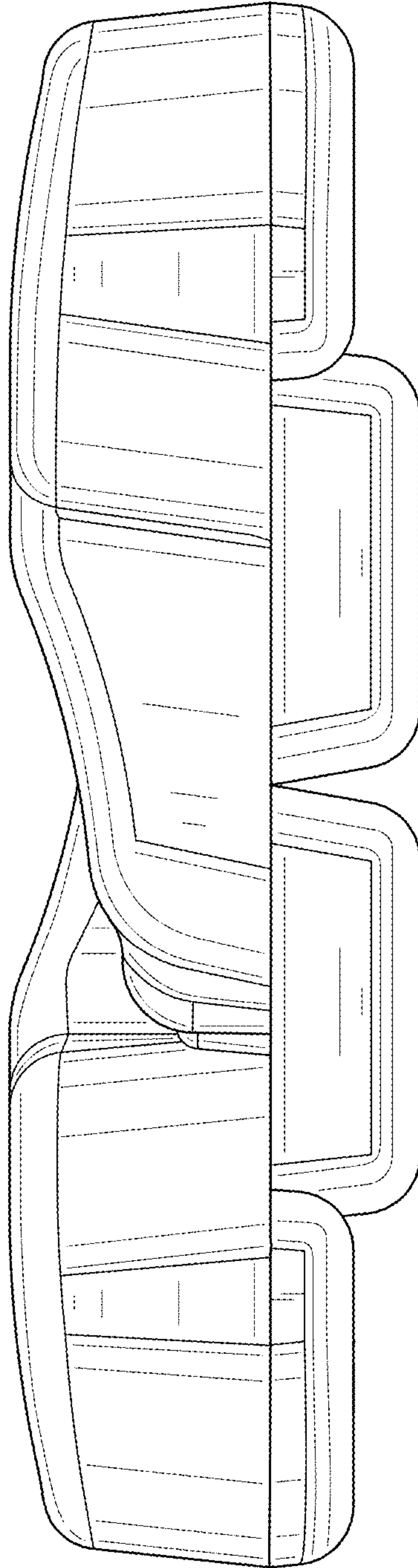


FIG. 5

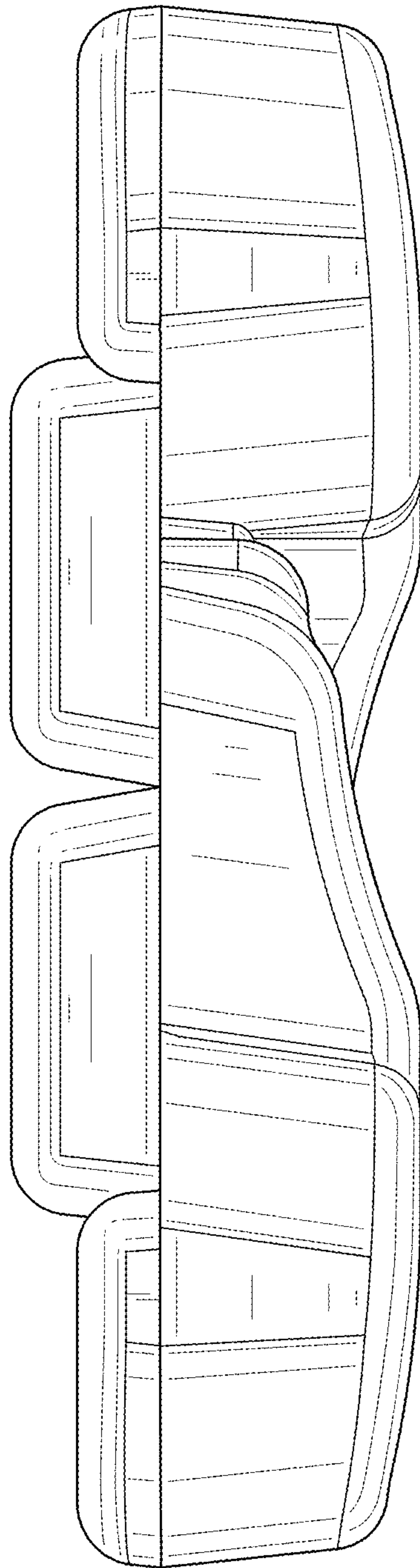


FIG. 6



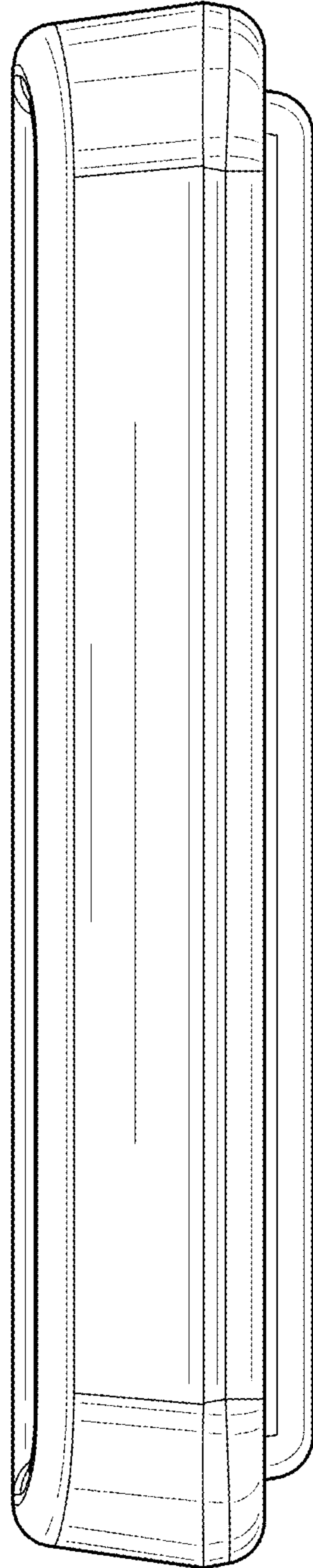


FIG. 7

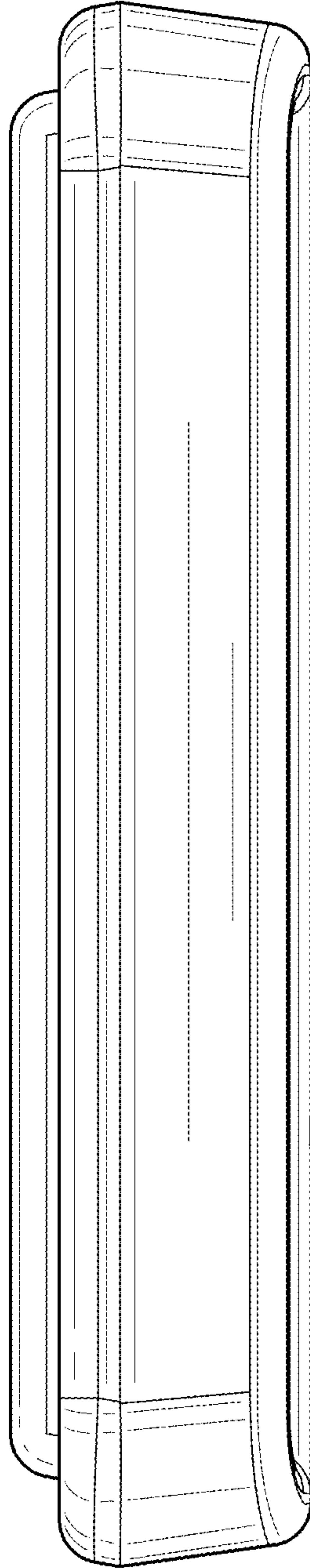


FIG. 8

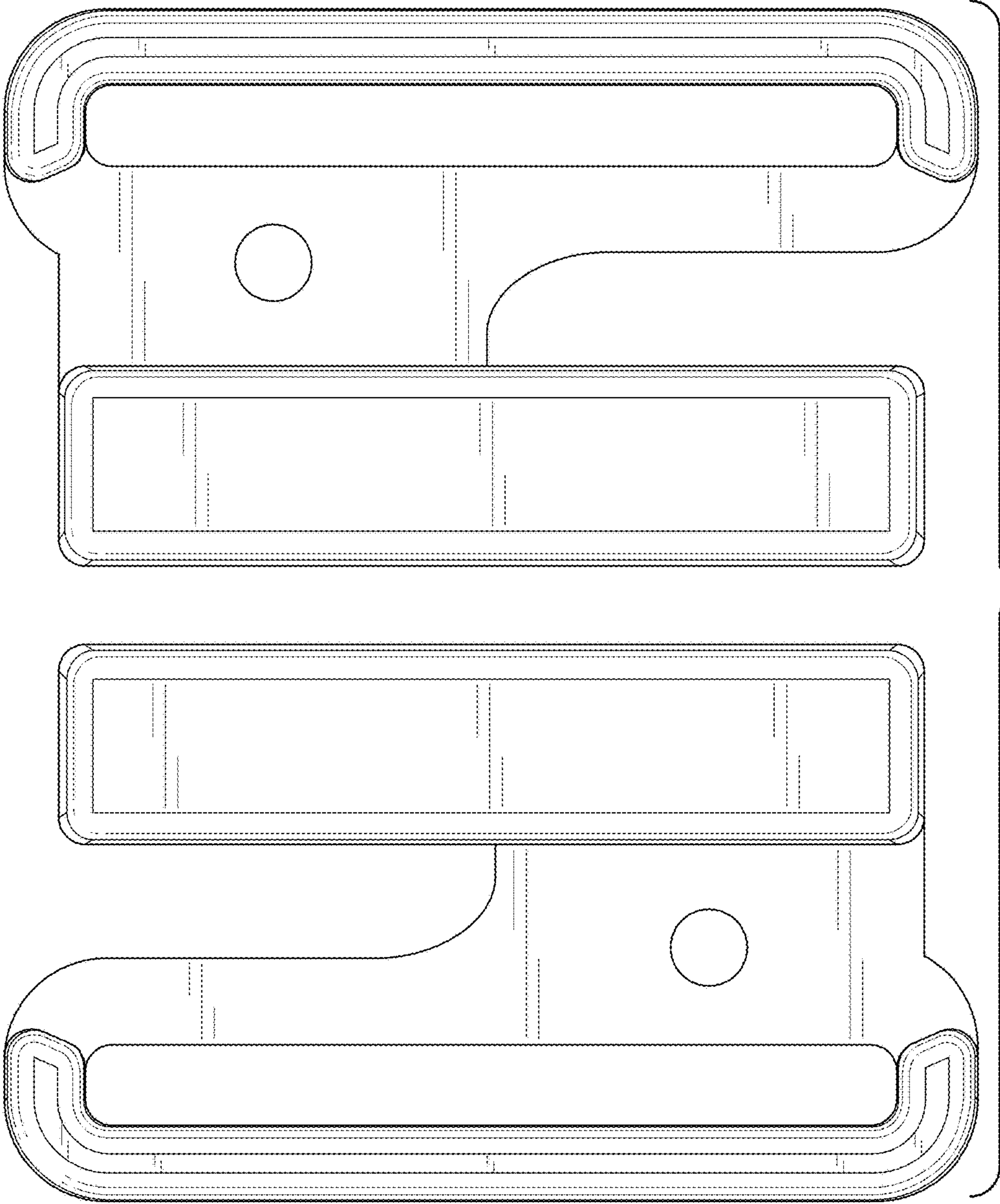


FIG. 9



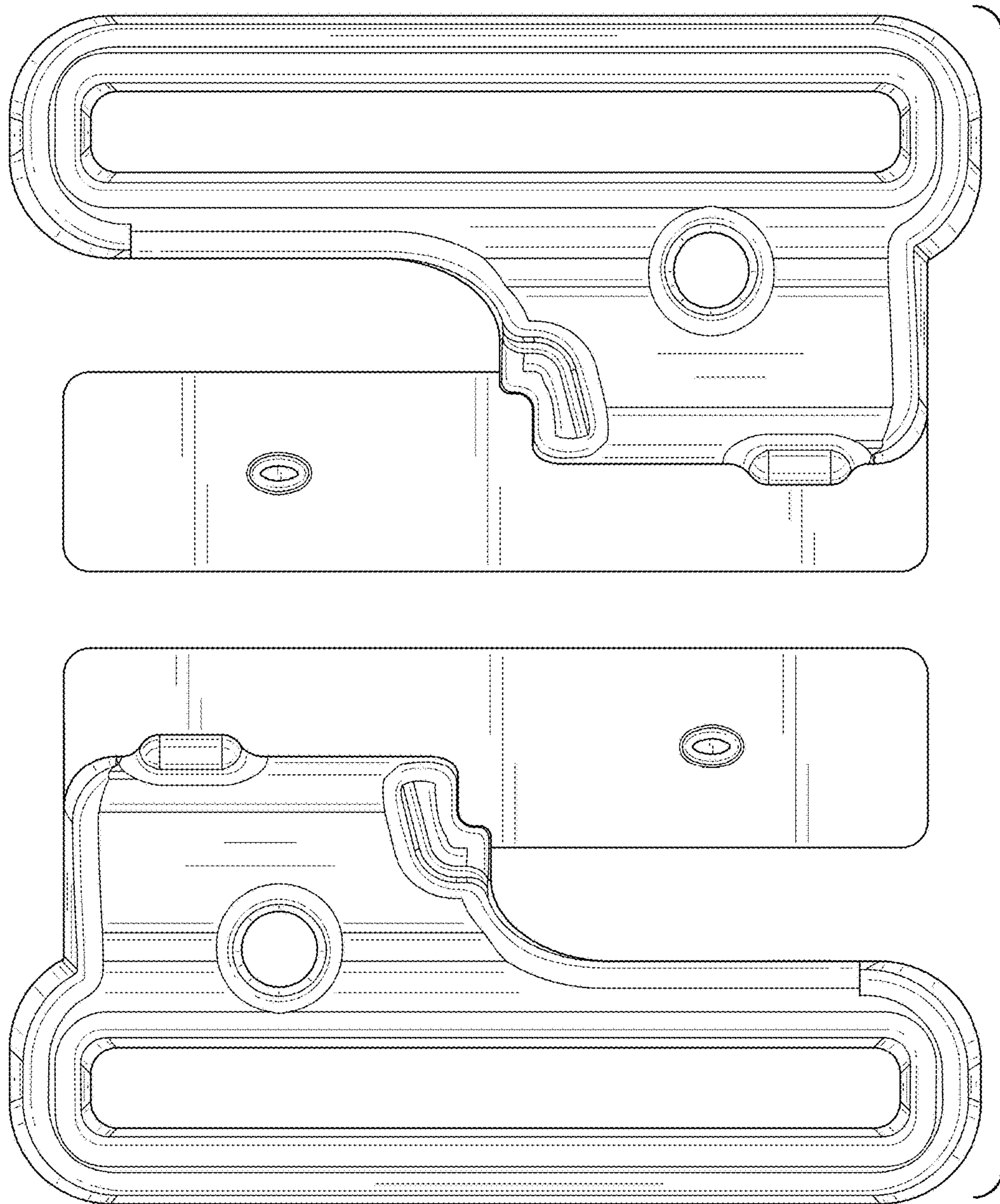


FIG. 10

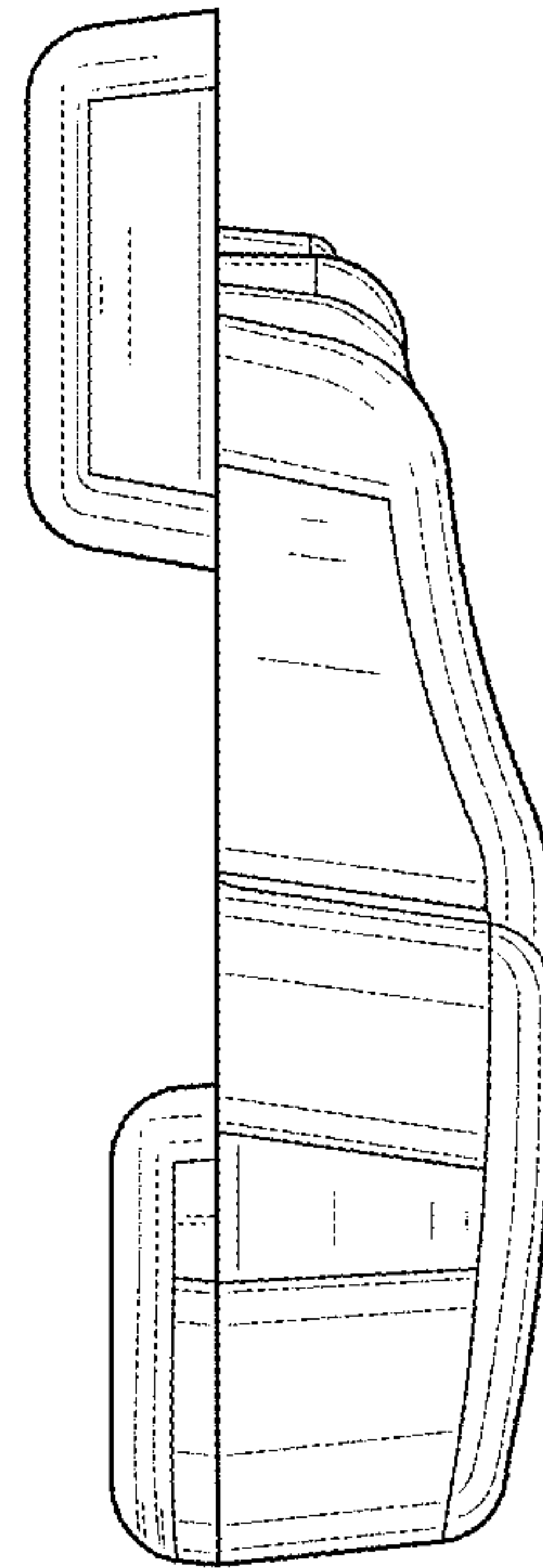
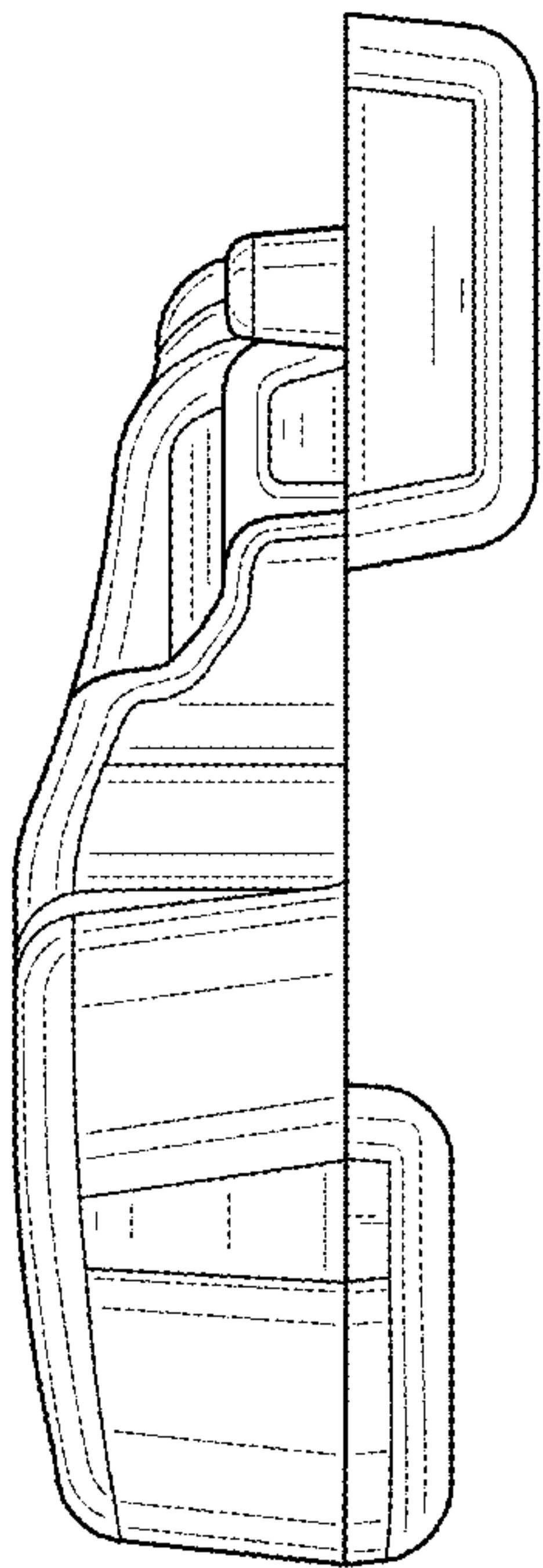
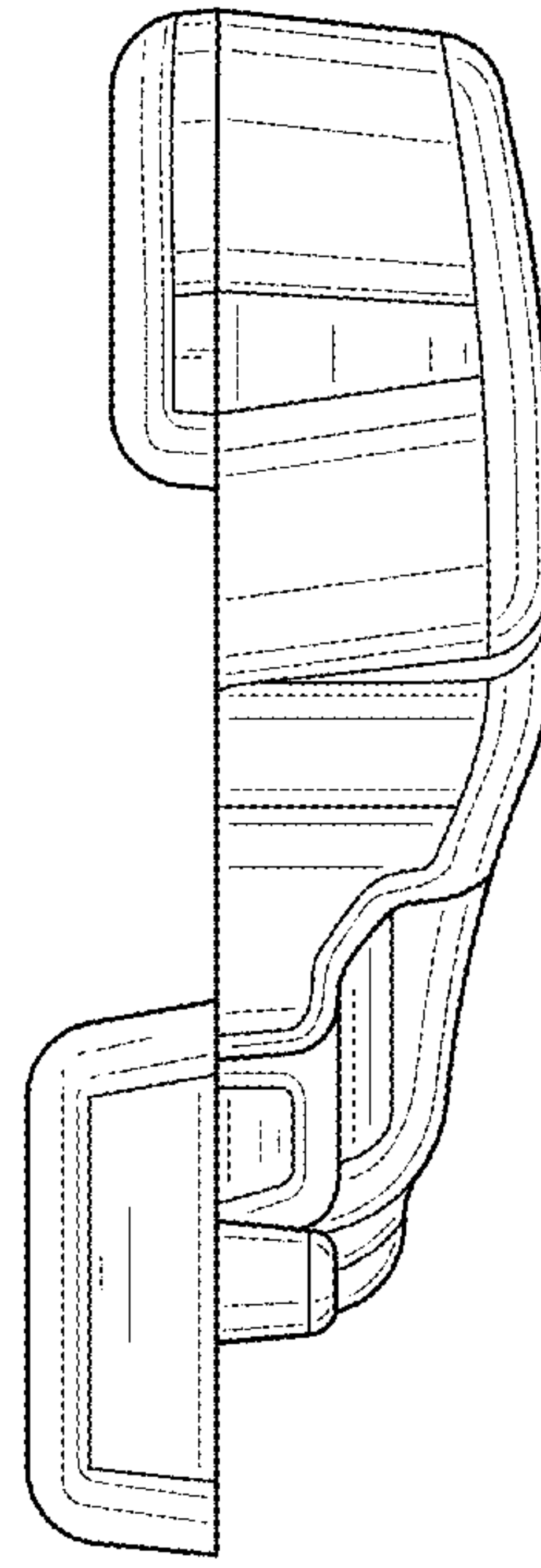
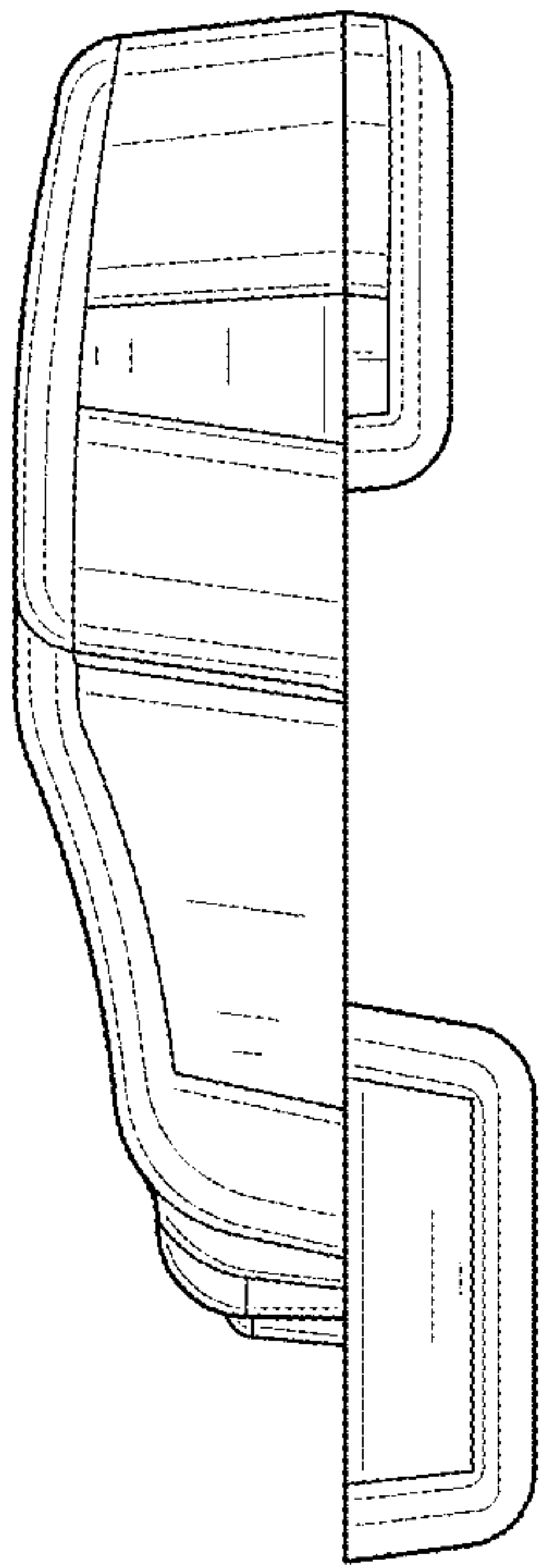


FIG. 11



FIG. 12

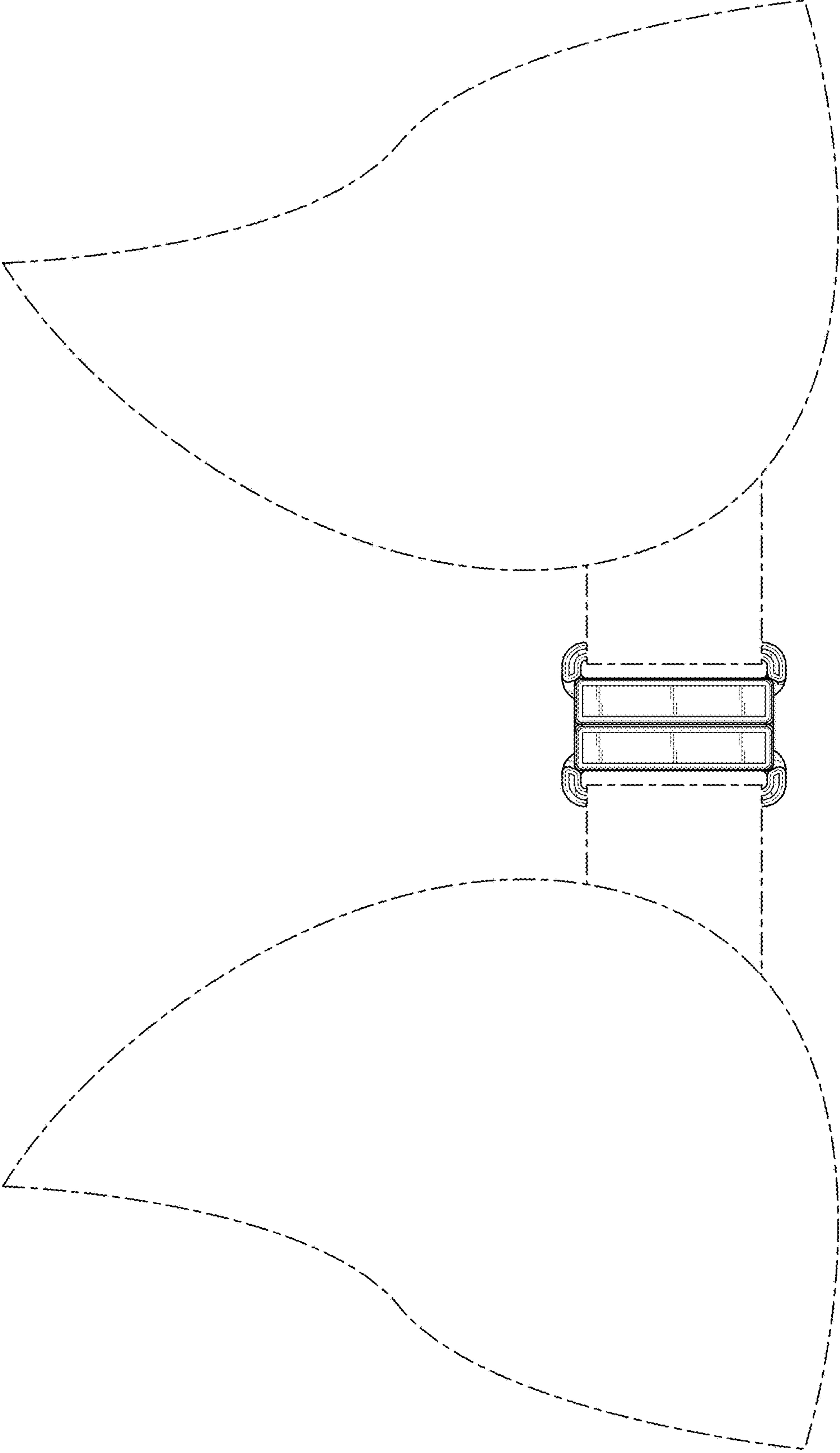


FIG. 13



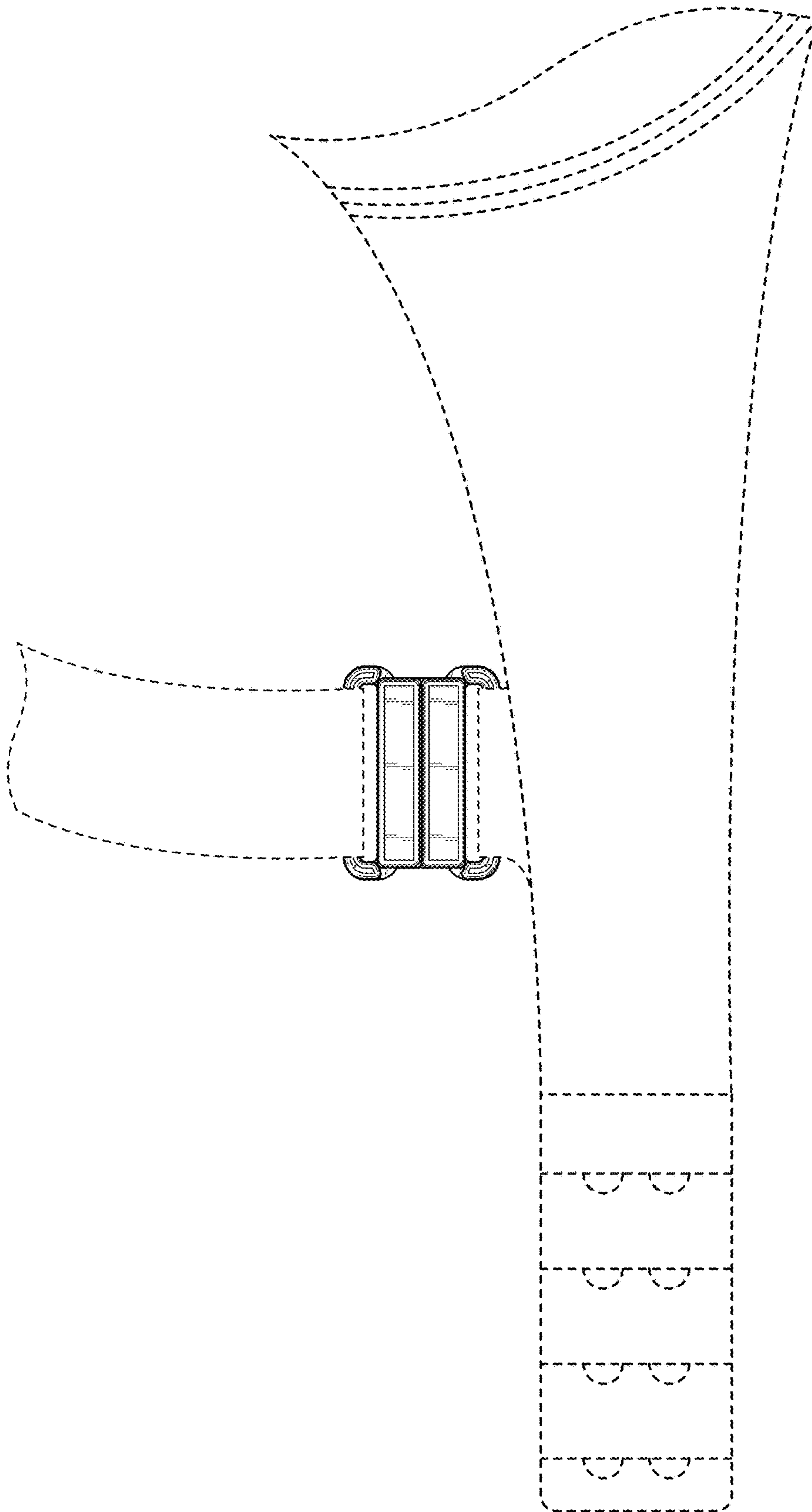


FIG. 14



FIG. 15

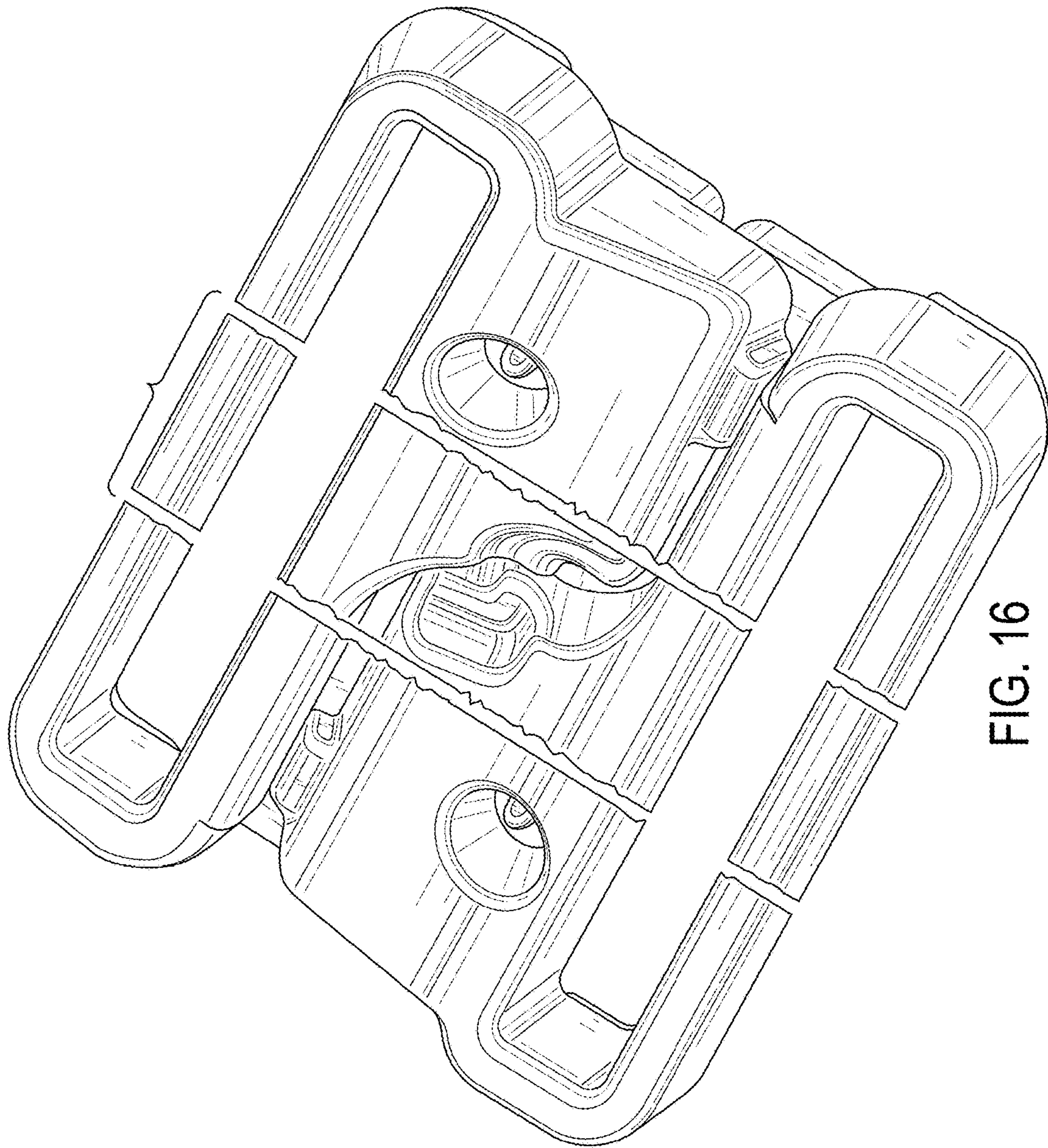


FIG. 16