



US00D811933S

(12) **United States Design Patent**
Renforth et al.

(10) **Patent No.:** **US D811,933 S**
(45) **Date of Patent:** **** Mar. 6, 2018**

(54) **BUCKLE**

(71) Applicant: **Doskocil Manufacturing Company, Inc.**, Arlington, TX (US)
(72) Inventors: **Jack Renforth**, Azle, TX (US); **Doug Golenz**, Littleton, CO (US); **Phil Rowe**, Frisco, CO (US)

(**) Term: **15 Years**

(21) Appl. No.: **29/583,366**

(22) Filed: **Nov. 4, 2016**

(51) **LOC (11) Cl.** **02-07**

(52) **U.S. Cl.**
USPC **D11/216**

(58) **Field of Classification Search**
USPC D11/1-2, 200-201, 206-210, 212-219;
24/163 R, 169-171, 173, 177-179, 191,
24/194-195, 197, 198, 200, 614-616,
24/625, 630, 578.11, 578.1, 163 K, 114;
D8/349, 395, 356
CPC A44B 11/06; A44B 11/26; A44B 11/25;
A41F 11/04
See application file for complete search history.

(56) **References Cited**

U.S. PATENT DOCUMENTS

D303,233 S *	9/1989	Jang	D11/216
D312,430 S *	11/1990	Crowle	D11/216
D320,178 S *	9/1991	Kasai	D11/200
D340,886 S *	11/1993	Anscher	D11/200
5,517,836 A *	5/1996	Hong	A44B 11/266 70/30
6,421,889 B1 *	7/2002	Chien	A44B 11/266 24/614
D467,837 S *	12/2002	Maruoka	D11/216
D473,487 S *	4/2003	Kaneko	D11/216

(Continued)

OTHER PUBLICATIONS

Aspen Pet Glow in the Dark Adjustable Collar, Petmate.com, [online], [site visited Sep. 26, 2017]. <URL: https://www.petmate.com/aspn-pet-glow-in-the-dark-adjustable-collar/product/02345> (Year: 2017).*

(Continued)

Primary Examiner — T. Chase Nelson
Assistant Examiner — Jonathan J. Han
(74) *Attorney, Agent, or Firm* — Global IP Counselors, LLP

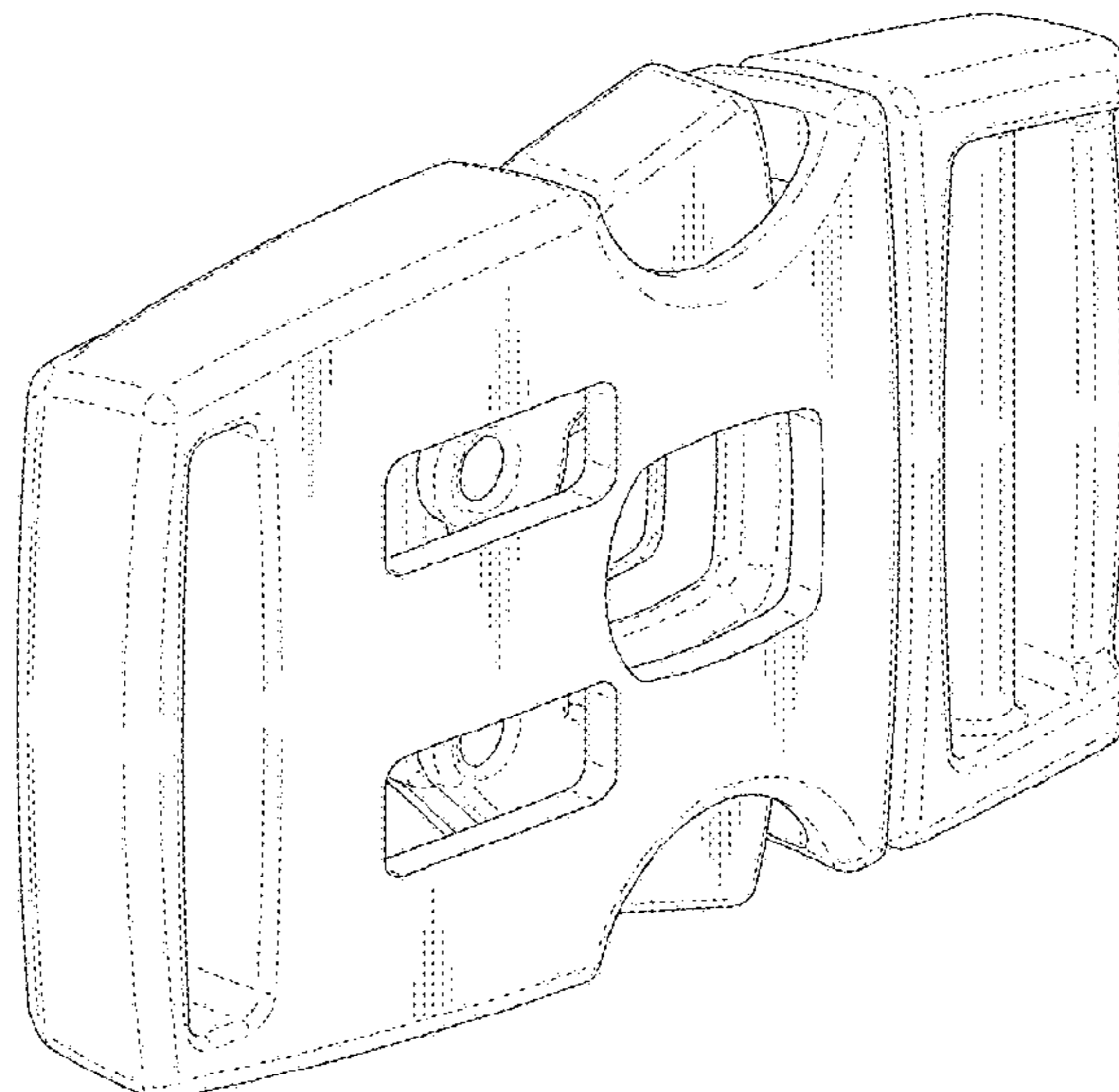
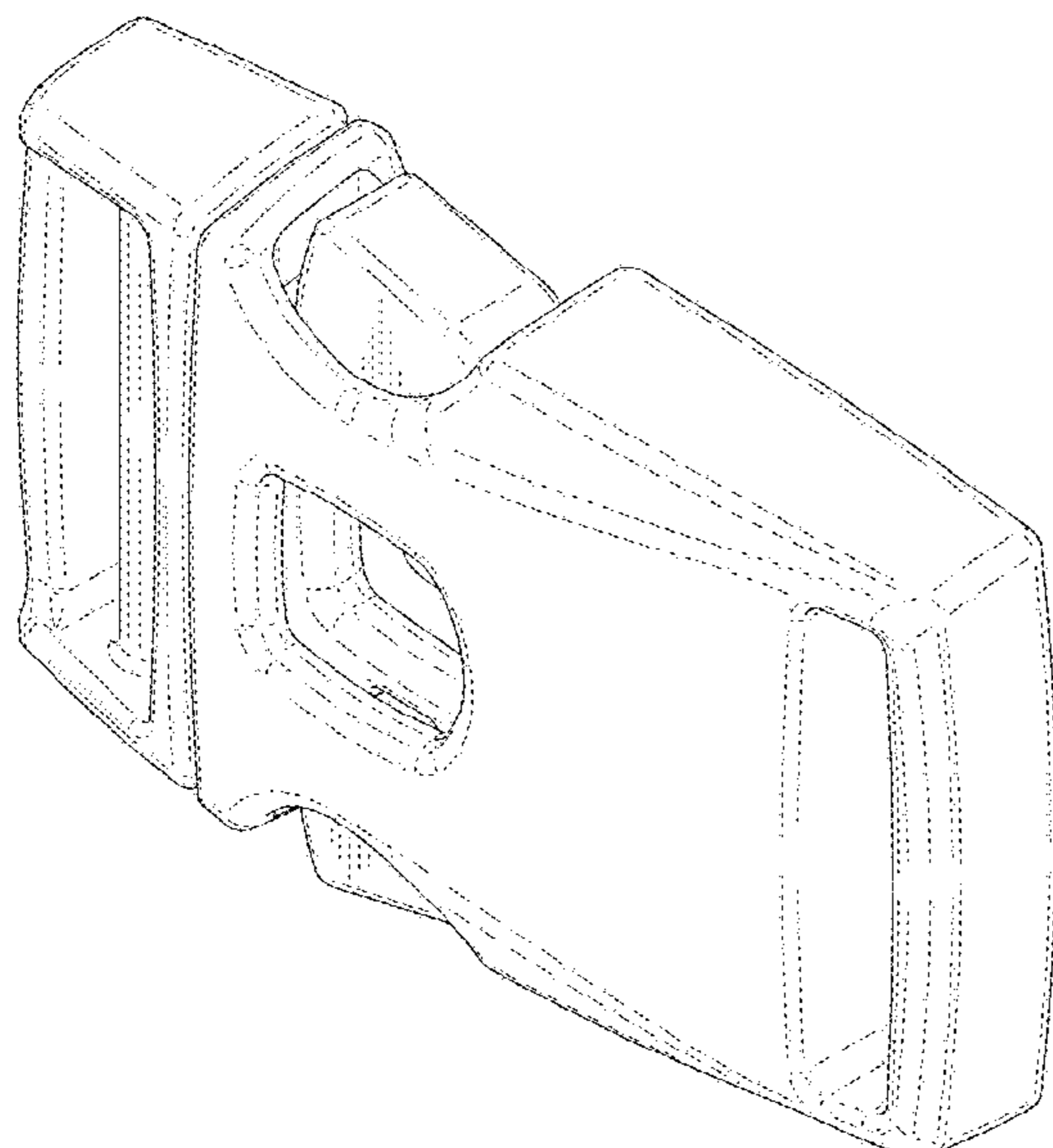
(57) **CLAIM**

The ornamental design for a buckle, as shown and described.

DESCRIPTION

FIG. 1 is a front perspective view of a buckle in accordance with our new design;
FIG. 2 is a back perspective view thereof;
FIG. 3 is a front view thereof;
FIG. 4 is a back view thereof;
FIG. 5 is a right side view thereof;
FIG. 6 is a left side view thereof;
FIG. 7 is a top view thereof;
FIG. 8 is a bottom view thereof;
FIG. 9 is a front perspective view of the two components of the buckle, shown unbuckled and separated for clarity of depiction;
FIG. 10 is a back perspective view thereof;
FIG. 11 is a front view thereof;
FIG. 12 is a back view thereof;
FIG. 13 is a right side view thereof;
FIG. 14 is a left side view thereof;
FIG. 15 is a top view thereof; and,
FIG. 16 is a bottom view thereof.
The broken lines depict environmental subject matter, are for illustration only, and form no part of the claimed design.

1 Claim, 14 Drawing Sheets



(56)

References Cited

U.S. PATENT DOCUMENTS

6,684,466 B2 * 2/2004 Nishida A44B 11/268
24/614
D491,102 S * 6/2004 Matoba D11/216
D682,152 S * 5/2013 Grimm D11/216
D778,777 S * 2/2017 Paik D11/216
D784,851 S * 4/2017 Lin D11/216
2005/0204522 A1 * 9/2005 Paik A44B 11/266
24/614
2006/0243006 A1 * 11/2006 Christensen A44B 11/266
70/58
2008/0086853 A1 * 4/2008 Kolasa A44B 11/266
24/625
2010/0107370 A1 * 5/2010 Paik A44B 11/266
24/190
2012/0260474 A1 * 10/2012 Yoshie A44B 11/266
24/642
2014/0367426 A1 * 12/2014 Yen A44B 11/005
224/163
2015/0150341 A1 * 6/2015 Singh A44B 11/006
24/303
2015/0201713 A1 * 7/2015 Koreishi A44B 11/2511
24/197
2015/0208768 A1 * 7/2015 Iannello A44B 11/266
24/163 R
2015/0237970 A1 * 8/2015 Baile A44B 11/001
24/601.7

2015/0351500 A1 * 12/2015 Kolasa A44B 11/266
24/615
2016/0021984 A1 * 1/2016 Mundhra A44B 11/005
116/137 R
2016/0021988 A1 * 1/2016 Kaneko A44B 11/266
24/615
2016/0166012 A1 * 6/2016 Mojica A44B 11/005
24/591.1
2016/0183637 A1 * 6/2016 Kung A44B 11/266
24/625
2016/0198807 A1 * 7/2016 Lin A44B 11/258
24/615
2016/0278487 A1 * 9/2016 Postolek A44B 11/2573

OTHER PUBLICATIONS

PH328 Dual Adjustable Side Release Buckle, BuckleRus.com, [online], [site visited Sep. 26, 2017]. <URL: <https://bucklerus.com/collections/plastic-buckles/products/ph328-dual-adjustable-side-release-buckle>> (Year: 2017).*

5000/5001 1" Mojave Plastic Side Release Buckle, BuckleGuy.com, [online], [site visited Sep. 26, 2017]. <URL: <https://www.buckleguy.com/5000-5001-1-mojave-plastic-side-release-buckle/>> (Year: 2017).*

CRP—Crab Plus, 2mPlasticBuckles.com, [online], [site visited Sep. 26, 2017]. <URL: <http://www.2mplasticbuckles.com/products/plastic-buckles/>> (Year: 2017).*

* cited by examiner

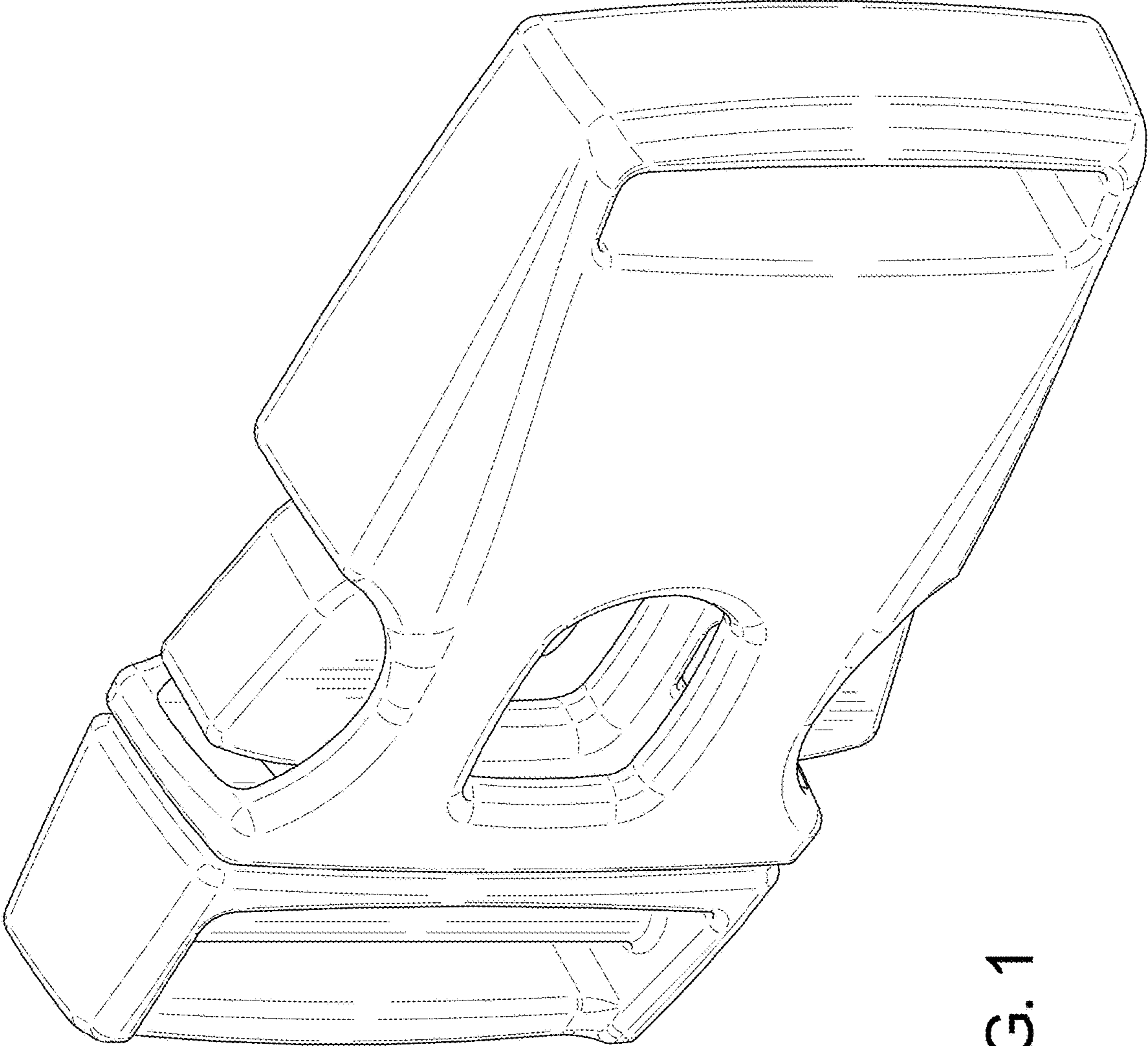


FIG. 1

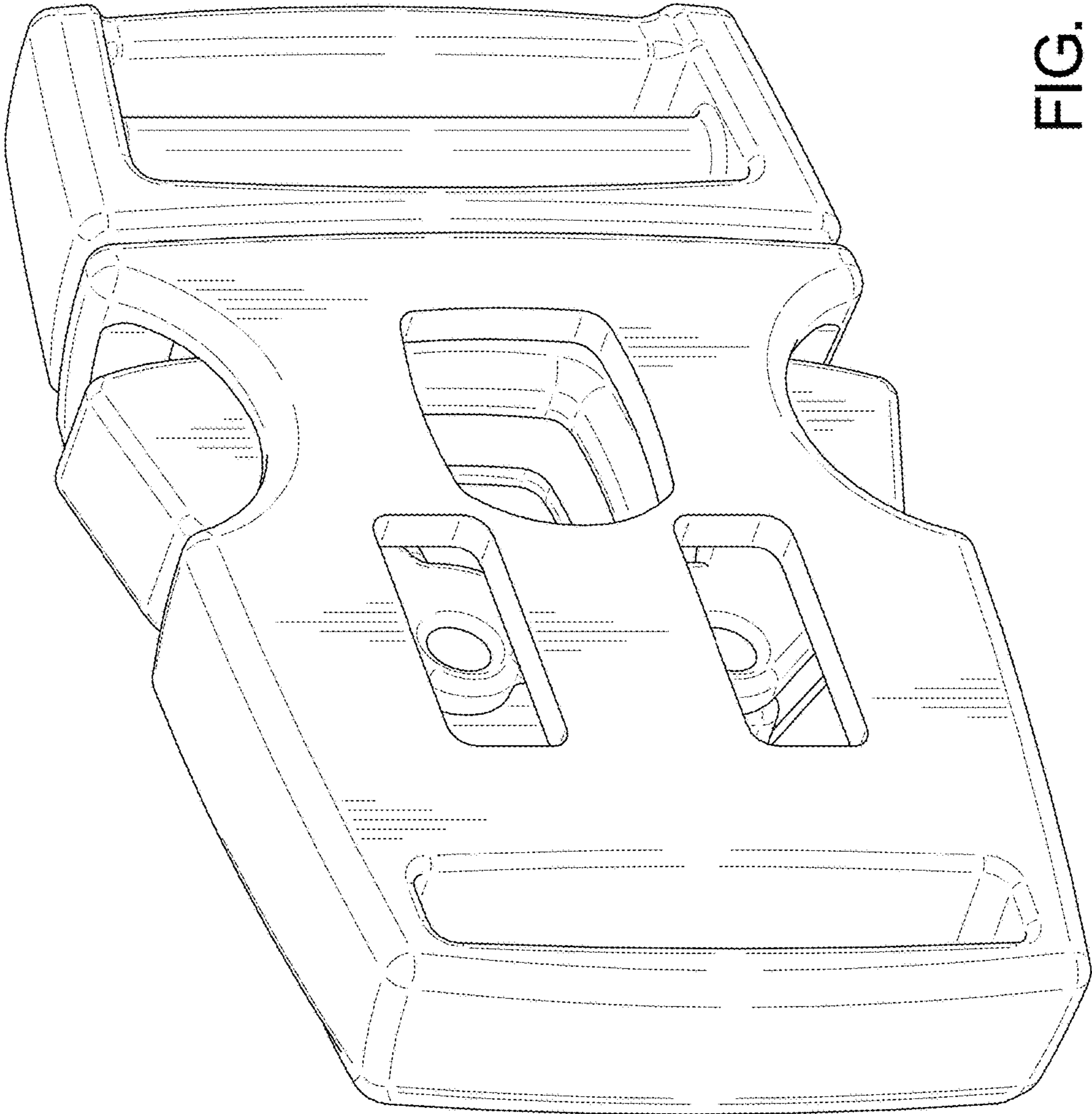


FIG. 2

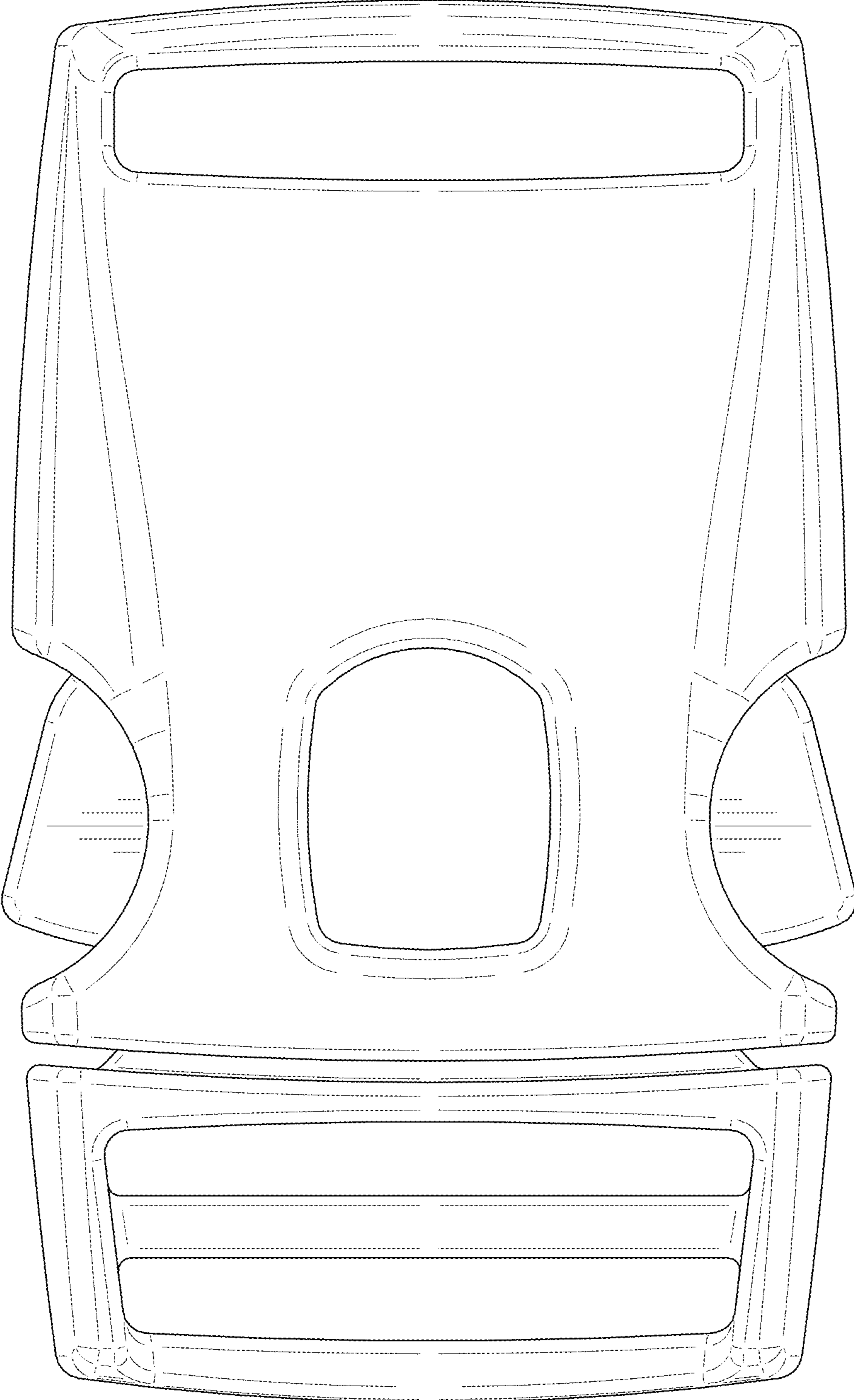


FIG. 3

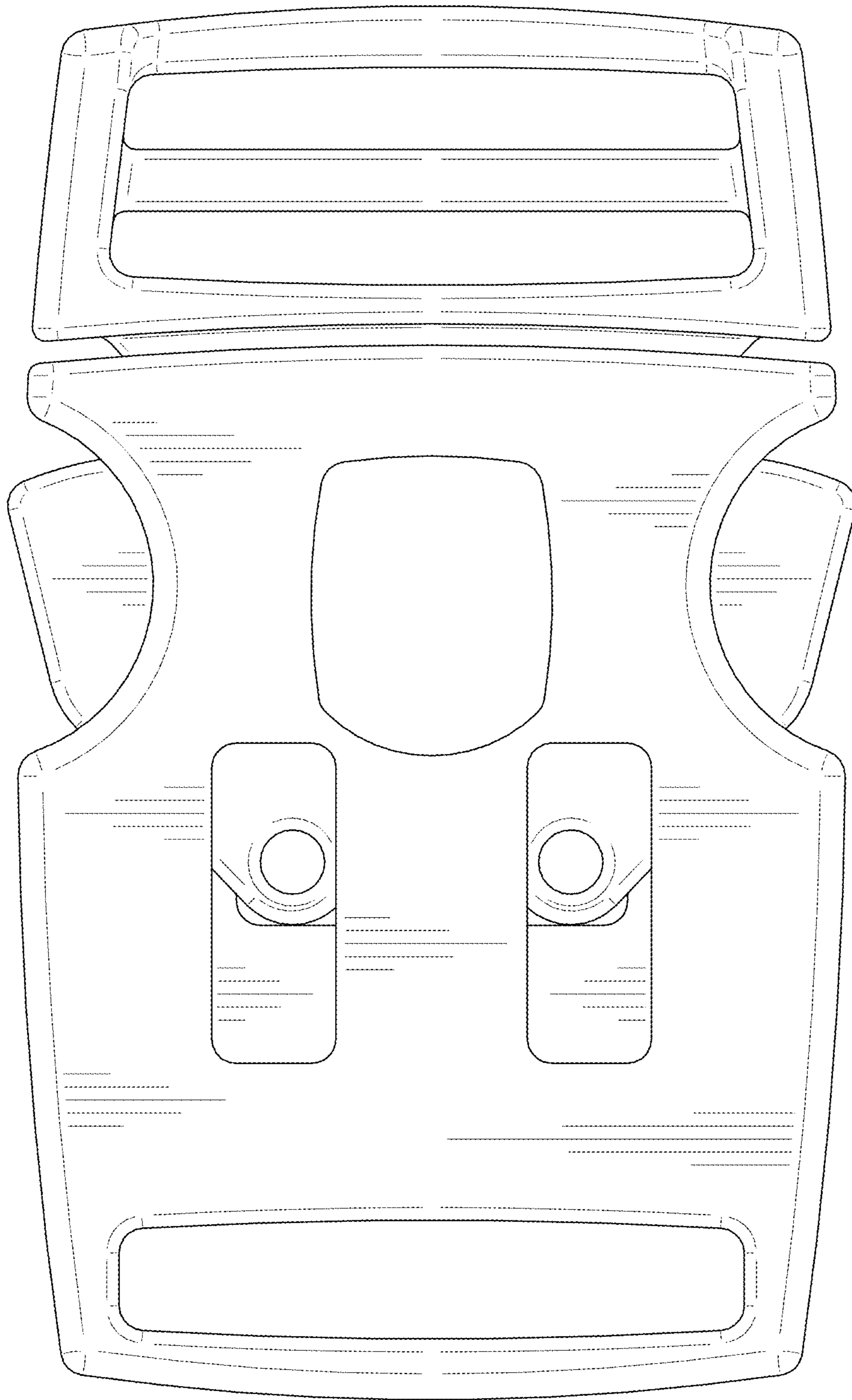


FIG. 4

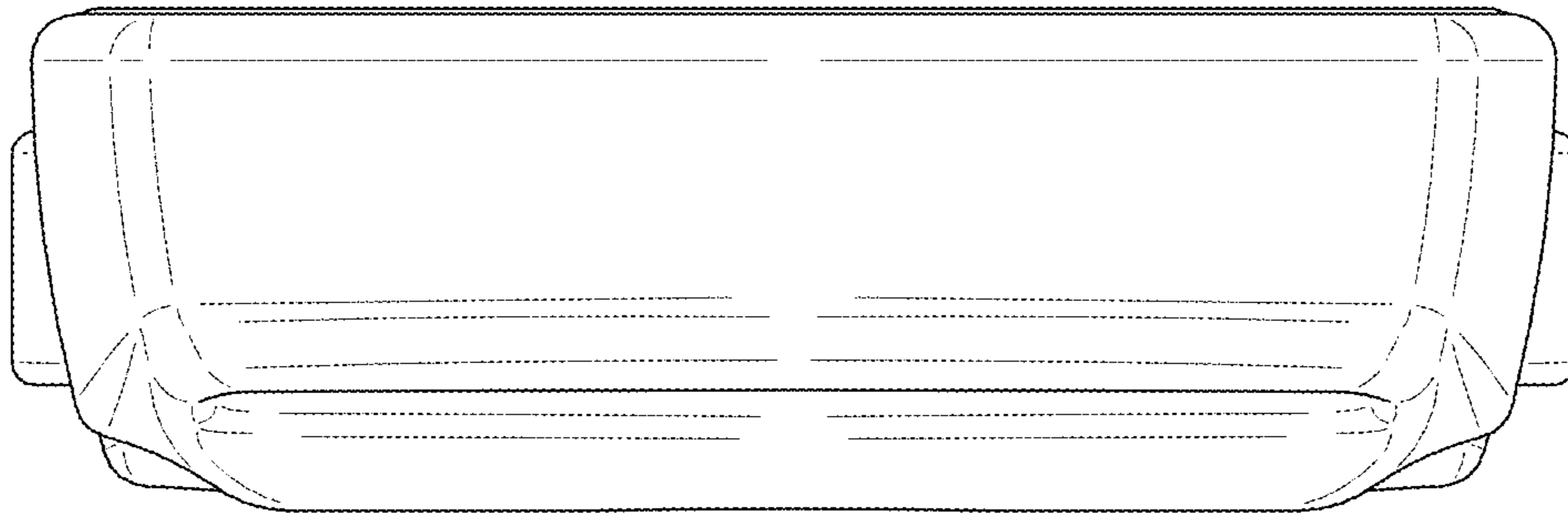


FIG. 6

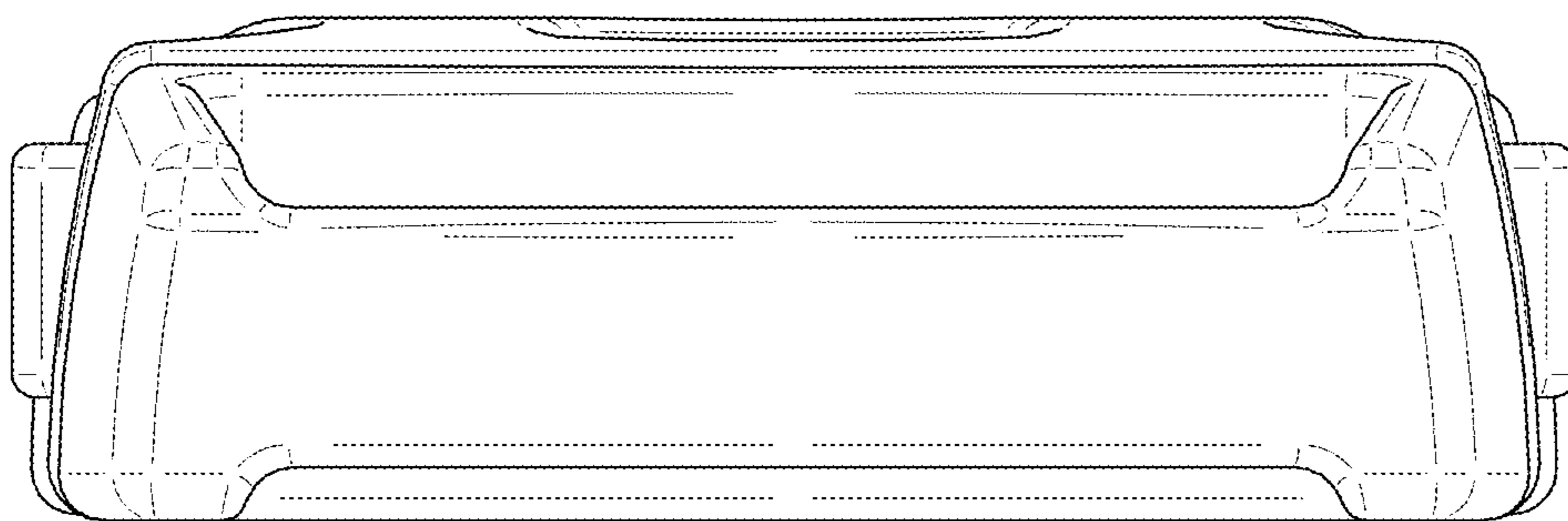


FIG. 5

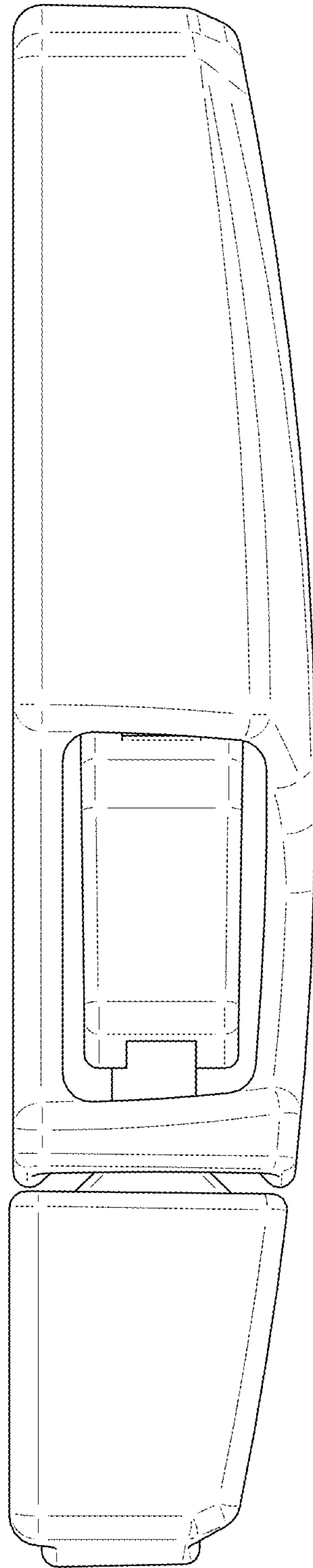


FIG. 7

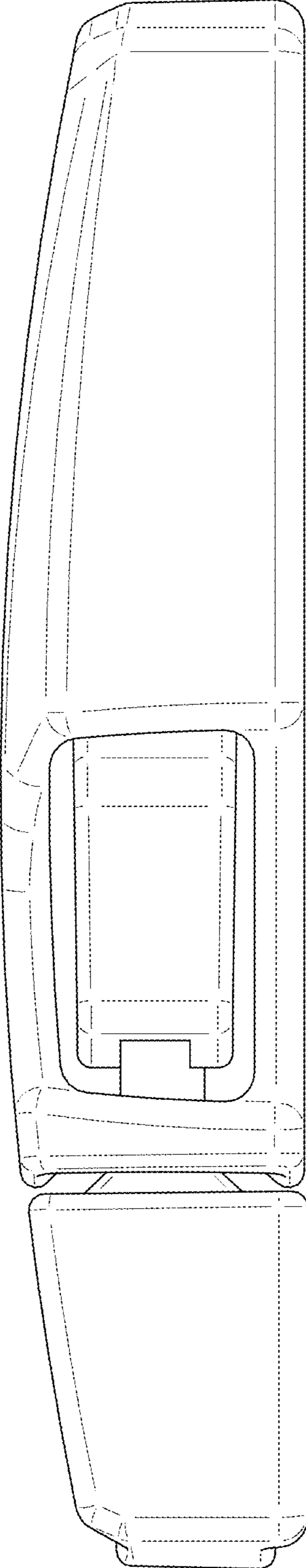


FIG. 8

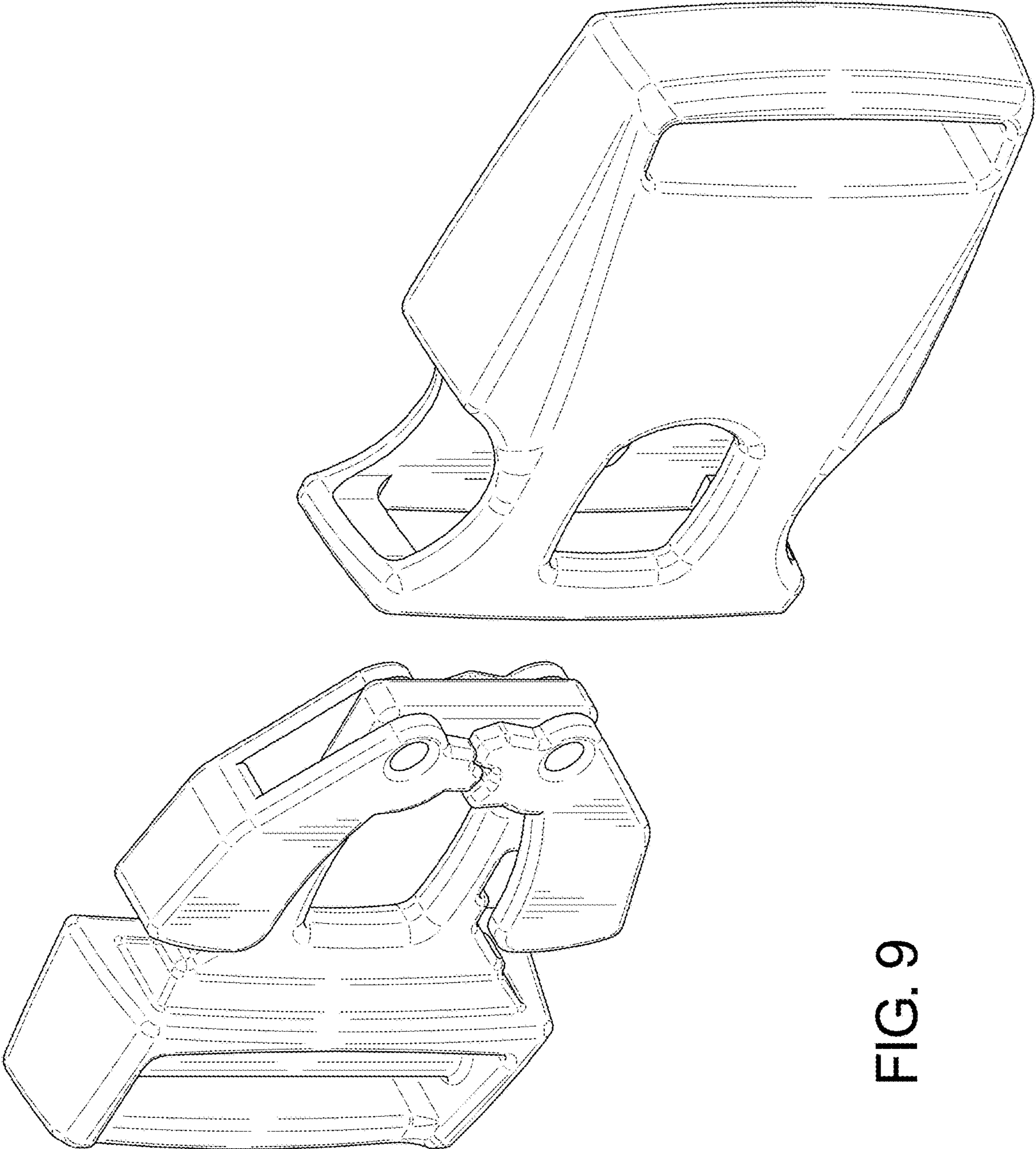


FIG. 9

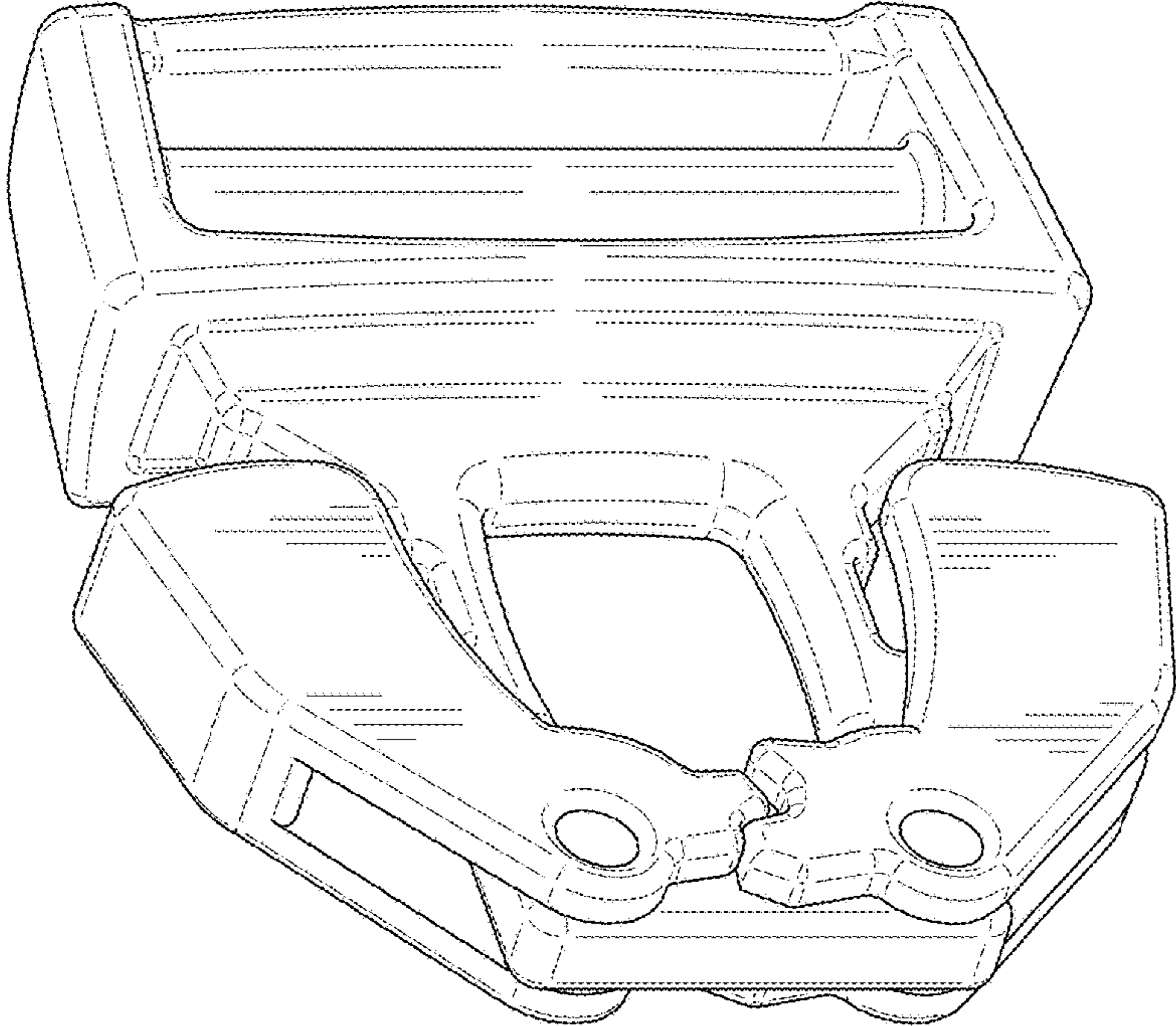
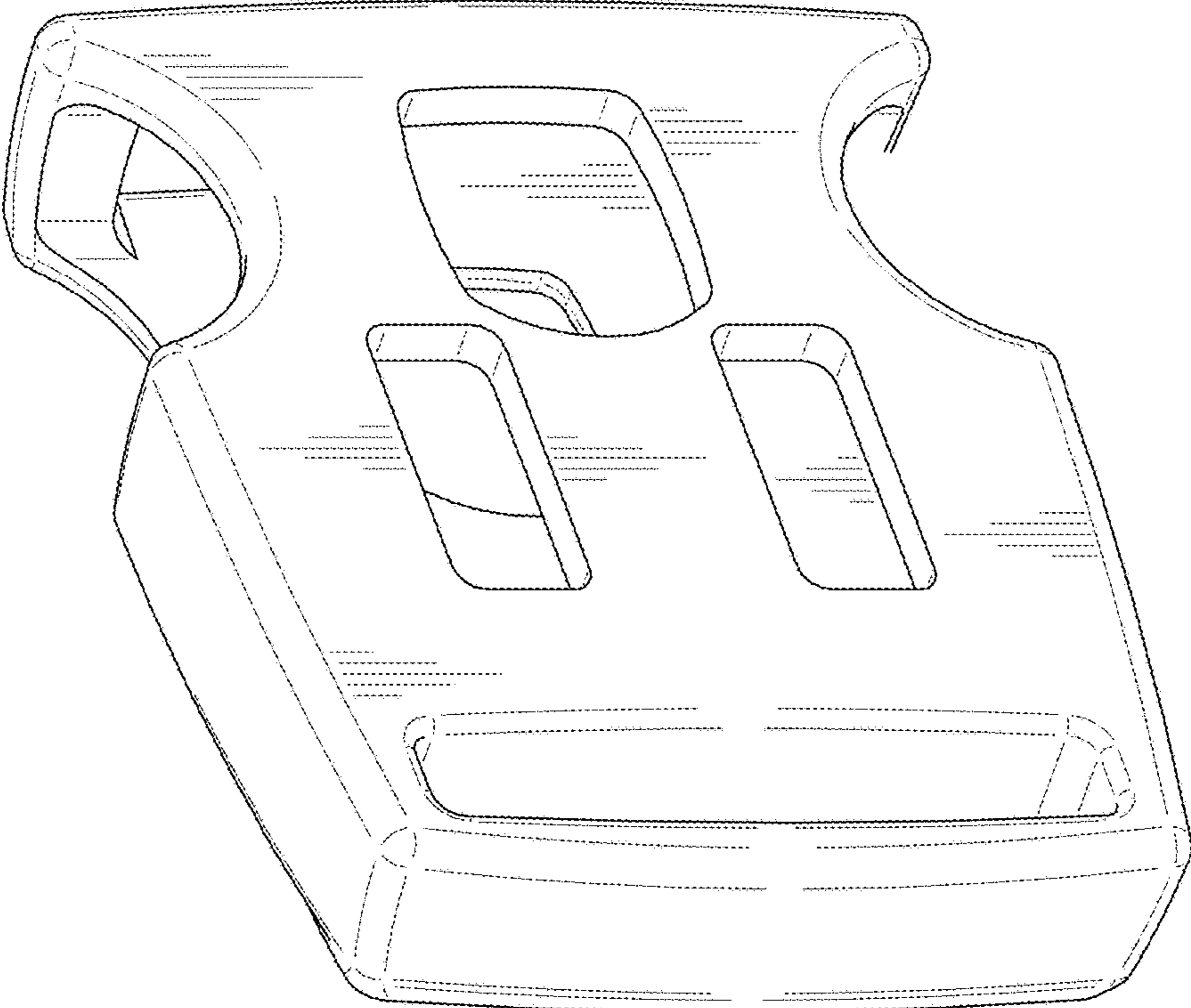


FIG. 10



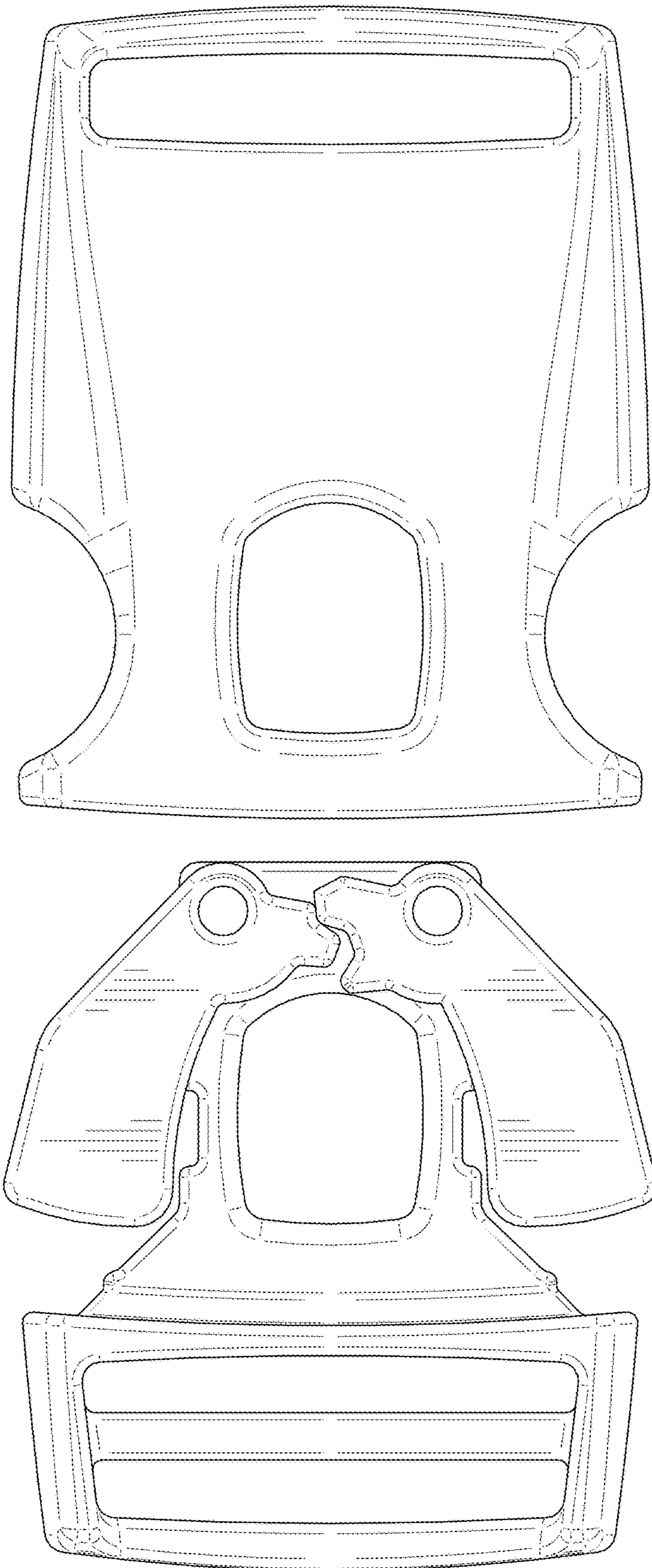


FIG. 11

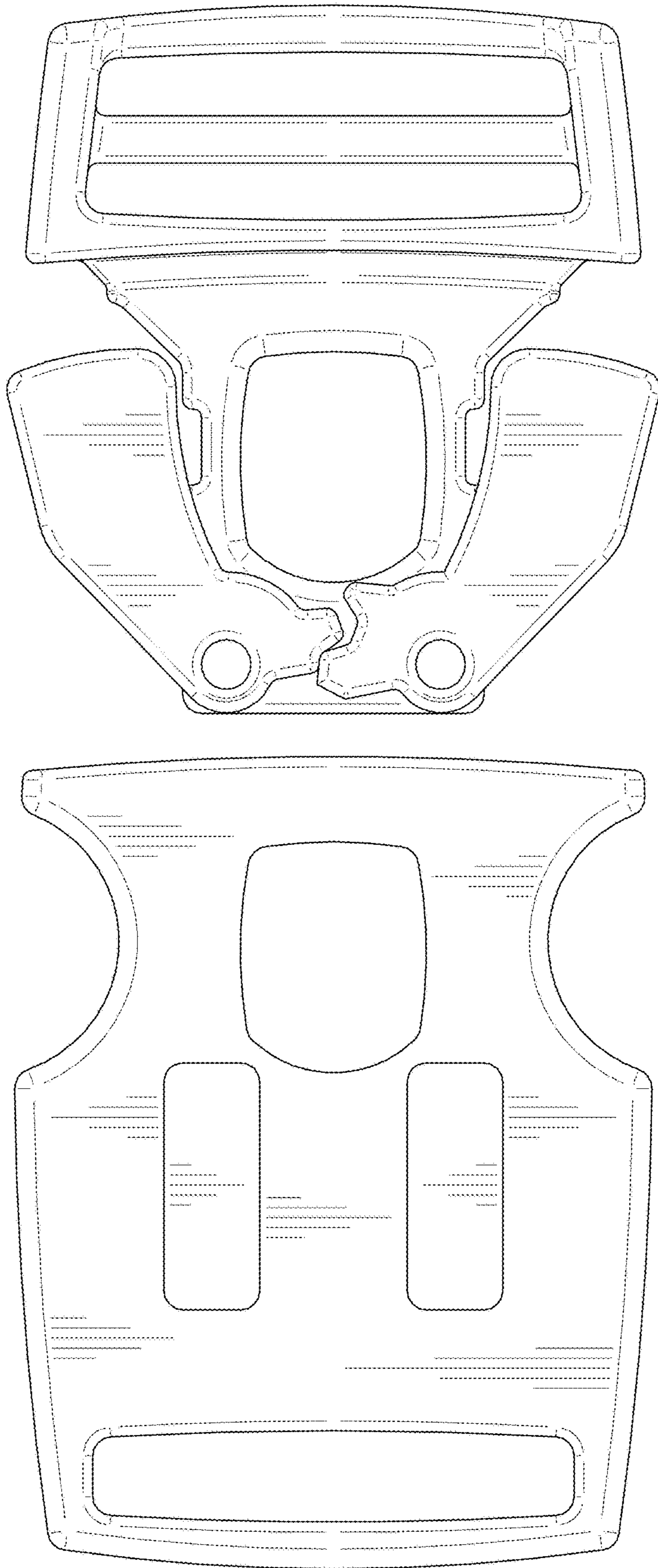


FIG. 12

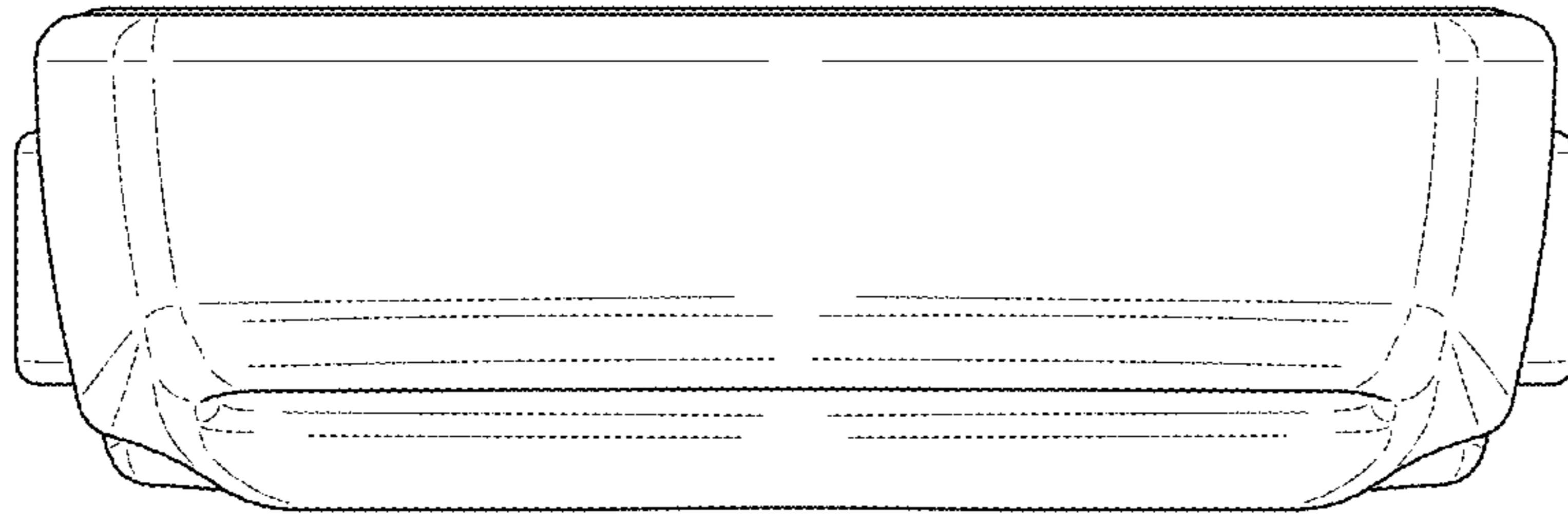


FIG. 14

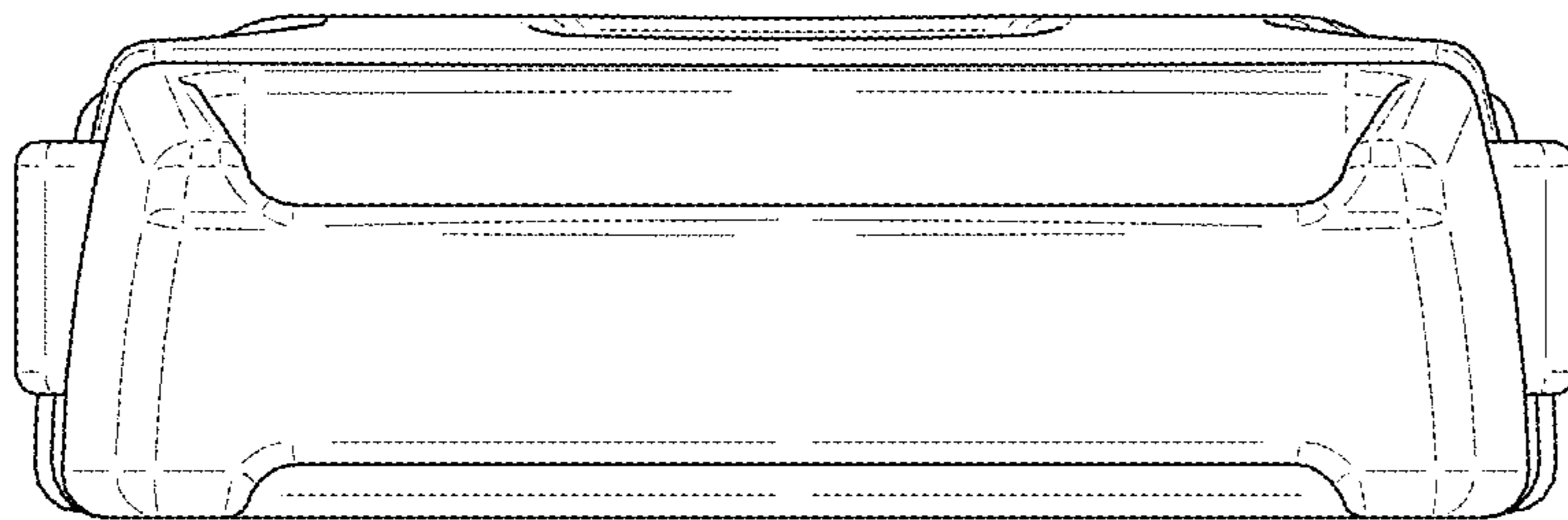


FIG. 13

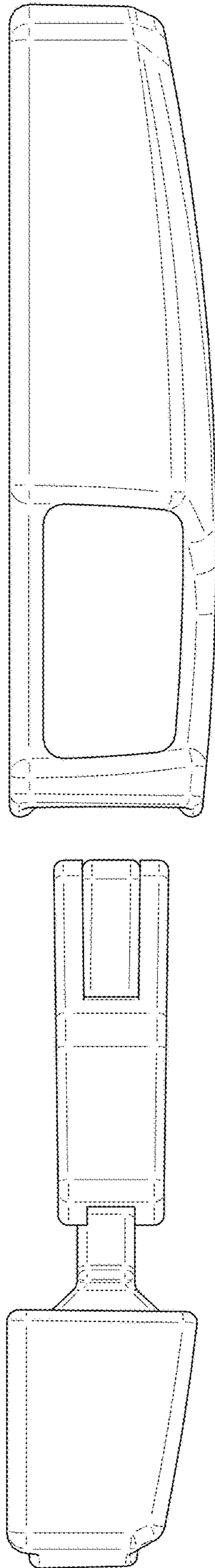


FIG. 15

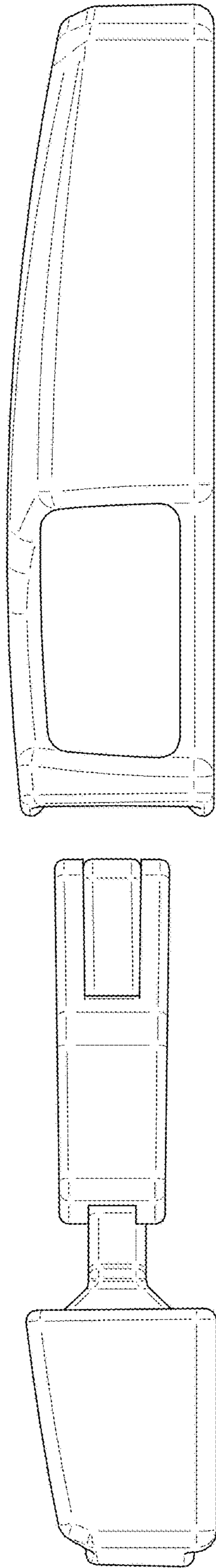


FIG. 16