



US00D811932S

(12) **United States Design Patent**  
**Anderson**

(10) **Patent No.:** **US D811,932 S**  
(45) **Date of Patent:** **\*\* Mar. 6, 2018**

(54) **QUICK-RELEASE BUCKLE ASSEMBLY WITH FIRE STARTER**

(71) Applicant: **Casey T. Anderson**, St. George, UT (US)

(72) Inventor: **Casey T. Anderson**, St. George, UT (US)

(\*\*) Term: **15 Years**

(21) Appl. No.: **29/576,114**

(22) Filed: **Aug. 31, 2016**

(51) **LOC (11) Cl.** ..... **02-07**

(52) **U.S. Cl.**  
USPC ..... **D11/215**

(58) **Field of Classification Search**  
USPC ..... D11/200–219, 1–2; 24/163 R, 169–171, 24/173, 177–179, 191, 194–195, 197, 24/200, 614–616, 625, 198, 630, 578.1, 24/163 K, 114; D8/16–20, 45, 105, 349, D8/363, 366, 370–377, 380–382, 356, D8/358, 359, 395, 578; D2/639; D3/24; D15/16; 242/118.7, 542.4, 160.4, 366, 242/400, 370, 400.1; D10/61, 62; 33/414, 413  
CPC ..... A44B 11/26; A44B 11/25; A44B 11/06; A45F 2200/0575; G01B 5/18; H02G 11/02; B65H 75/4476; B65H 2701/353; B65H 75/241; B65H 75/28; E04G 21/1825  
See application file for complete search history.

(56) **References Cited**

**U.S. PATENT DOCUMENTS**

1,578,468 A \* 3/1926 Rankin ..... A44B 11/005  
206/101  
2,597,170 A \* 5/1952 Oldal ..... A44B 11/005  
224/163

(Continued)

**OTHER PUBLICATIONS**

Firestorm Fire Starter Whistle Buckle, WazooSurvivalGear.com, [online], [site visited Nov. 7, 2017]. <URL: <https://www.wazoosurvivalgear.com/firestorm-fire-starter-whistle-buckle/>> (Year: 2017).\*

(Continued)

*Primary Examiner* — T. Chase Nelson

*Assistant Examiner* — Jonathan J. Han

(74) *Attorney, Agent, or Firm* — Gallian, Welker & Beckstrom; Robert A. Gurr

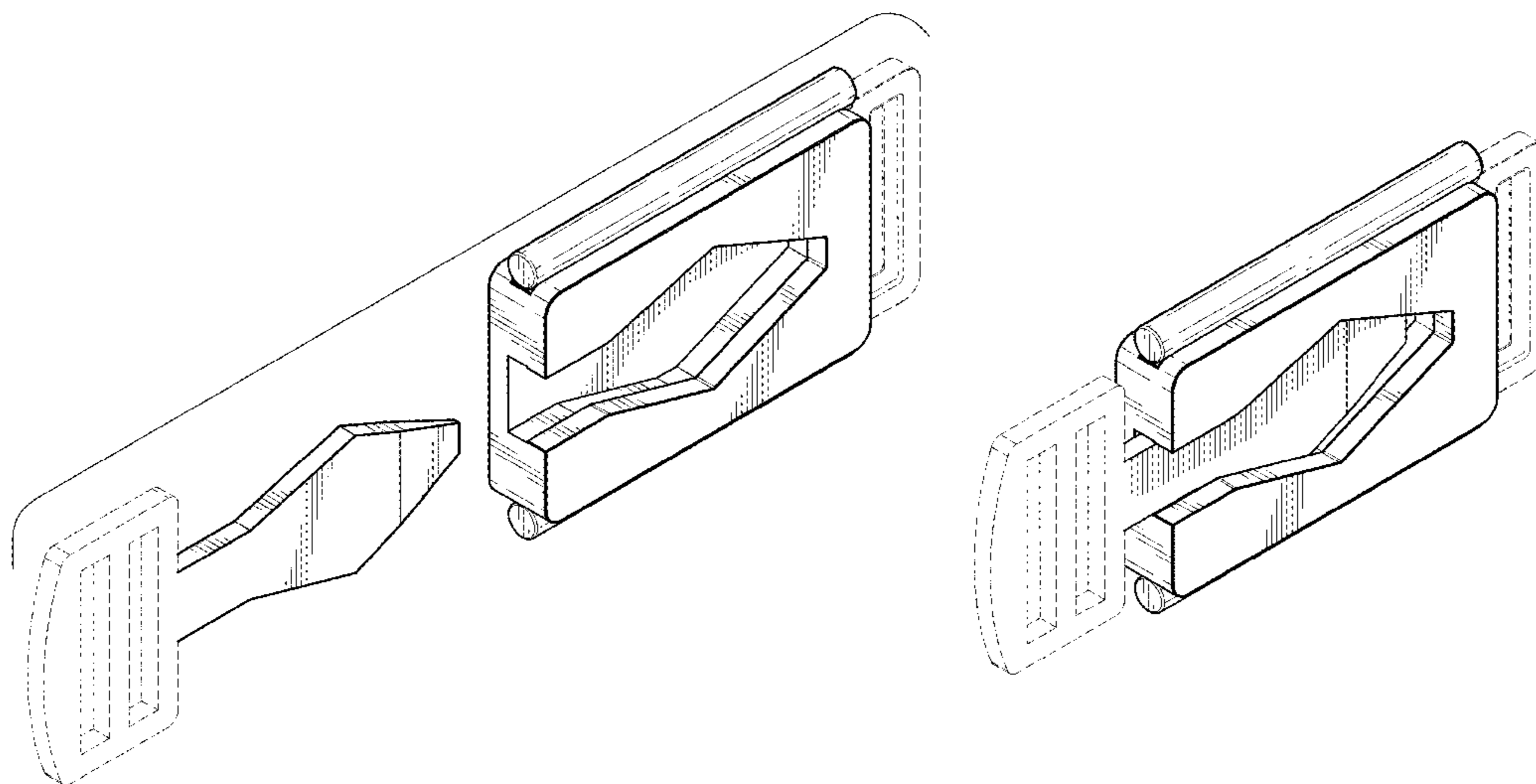
(57) **CLAIM**

The ornamental design for a quick-release buckle assembly with fire starter, as shown and described.

**DESCRIPTION**

FIG. 1 is a perspective view of the quick-release buckle assembly with fire starter, shown separately for ease of illustration;  
FIG. 2 is a top plan view of the quick-release buckle assembly with fire starter, shown separately for ease of illustration;  
FIG. 3 is a side elevation view of the quick-release buckle assembly with fire starter, shown separately for ease of illustration;  
FIG. 4 is a bottom plan view of the quick-release buckle assembly with fire starter, shown separately for ease of illustration;  
FIG. 5 is a rear elevation view of the quick-release buckle assembly with fire starter in an assembled configuration;  
FIG. 6 is a front elevation view of the quick-release buckle assembly with fire starter in an assembled configuration; and,  
FIG. 7 is a perspective view of the quick-release buckle assembly with fire starter in an assembled configuration.  
The broken lines illustrate unclaimed portions and form no part of the claimed design.

**1 Claim, 4 Drawing Sheets**



(56)

References Cited

U.S. PATENT DOCUMENTS

4,096,979 A \* 6/1978 Collins ..... A45C 11/00  
206/234  
4,100,655 A \* 7/1978 Langley ..... A41F 9/002  
2/322  
4,203,167 A \* 5/1980 Collins ..... A44B 11/005  
2/322  
4,260,087 A \* 4/1981 Leaver ..... A44B 11/005  
224/163  
4,389,775 A \* 6/1983 Collins ..... A44B 11/005  
224/163  
4,466,561 A \* 8/1984 Slaughter ..... A44B 11/005  
206/349  
4,481,712 A \* 11/1984 Phelps ..... B26B 1/02  
224/163  
4,498,612 A \* 2/1985 Geekie, Jr. .... A44B 11/005  
224/163  
4,753,377 A \* 6/1988 Poluhowich ..... A44B 11/005  
2/338  
4,905,878 A \* 3/1990 Lovinger ..... A44B 11/005  
224/163  
5,217,150 A \* 6/1993 Chen ..... A44B 11/005  
224/163  
5,310,101 A \* 5/1994 Park ..... A44B 11/005  
224/163  
D351,366 S \* 10/1994 Park ..... D11/231  
5,609,280 A \* 3/1997 Smith ..... A44B 11/005  
224/163  
D420,621 S \* 2/2000 Brakebill ..... D11/232  
6,067,662 A \* 5/2000 Sim ..... A44B 11/14  
2/322  
D445,360 S \* 7/2001 Brakebill, Jr. .... D11/232  
D613,201 S \* 4/2010 Orr ..... D11/231  
D641,661 S \* 7/2011 Zhang ..... D11/231  
D691,920 S \* 10/2013 Smith ..... D11/231

D748,012 S \* 1/2016 Laatz ..... D11/216  
D776,568 S \* 1/2017 Taylor ..... D11/216  
2004/0099702 A1\* 5/2004 Conner ..... A44B 11/005  
224/163  
2004/0195281 A1\* 10/2004 Hung ..... A44B 11/001  
224/163  
2006/0282991 A1\* 12/2006 Ross ..... A44B 11/001  
24/163 K  
2007/0084892 A1\* 4/2007 Korlath ..... A44B 11/005  
224/163  
2010/0132164 A1\* 6/2010 Su ..... A44B 11/005  
24/3.11  
2013/0291347 A1\* 11/2013 Su ..... A44B 11/001  
24/303  
2015/0366298 A1\* 12/2015 Blackman ..... A44B 11/005  
431/253

OTHER PUBLICATIONS

X-Cords Fire Starter Buckle, SurvivalBraceletKits.com, [online], [site visited Nov. 7, 2017]. <URL: <http://survivalbraceletkits.com/store/products/fire-starter-buckle/>> (Year: 2017).\*

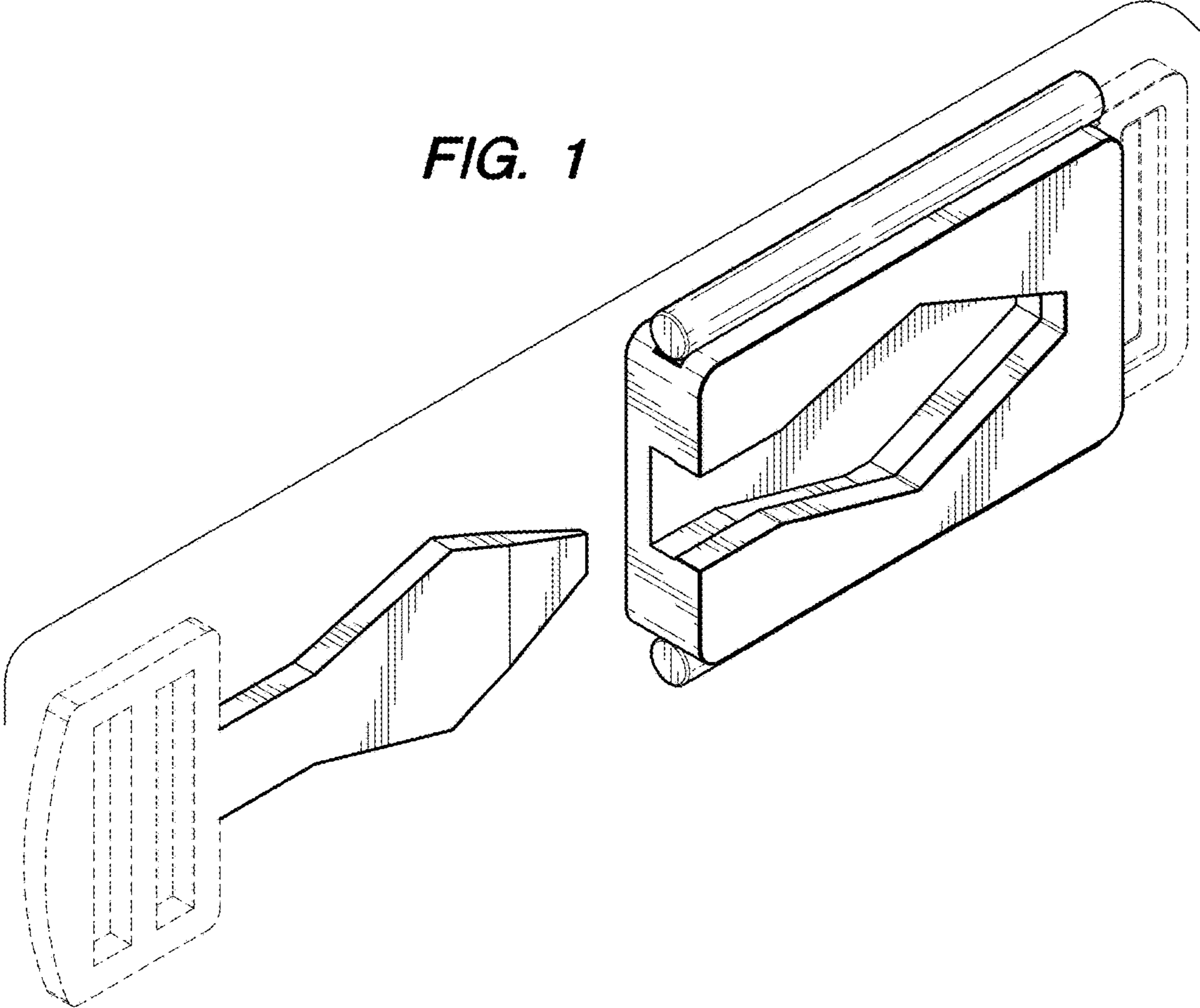
PHXD101 Side Release Whistle Buckle w/Flint Fire Starter & Scraper, Plastic-Buckle.com, [online], [site visited Nov. 7, 2017]. <URL: <https://www.plastic-buckle.com/phxd101-side-release-whistle-buckle-w-flint-fire-sta>> (Year: 2017).\*

SOG Sync I Belt Buckle Multi-Tool SN1001-CP, BladeHQ.com, [online], [site visited Nov. 7, 2017]. <URL: <https://www.bladehq.com/item--SOG-Sync-I-Belt-Buckle-Multi-Tool--52144>> (Year: 2017).\*

Emergency Flint and Steel Fire Starter Kit, GreatGiftItems.com, [online], [site visited Nov. 7, 2017]. <URL: <https://www.greatgiftitems.com/products/emergency-flint-fire-starter-kit>> (Year: 2017).\*

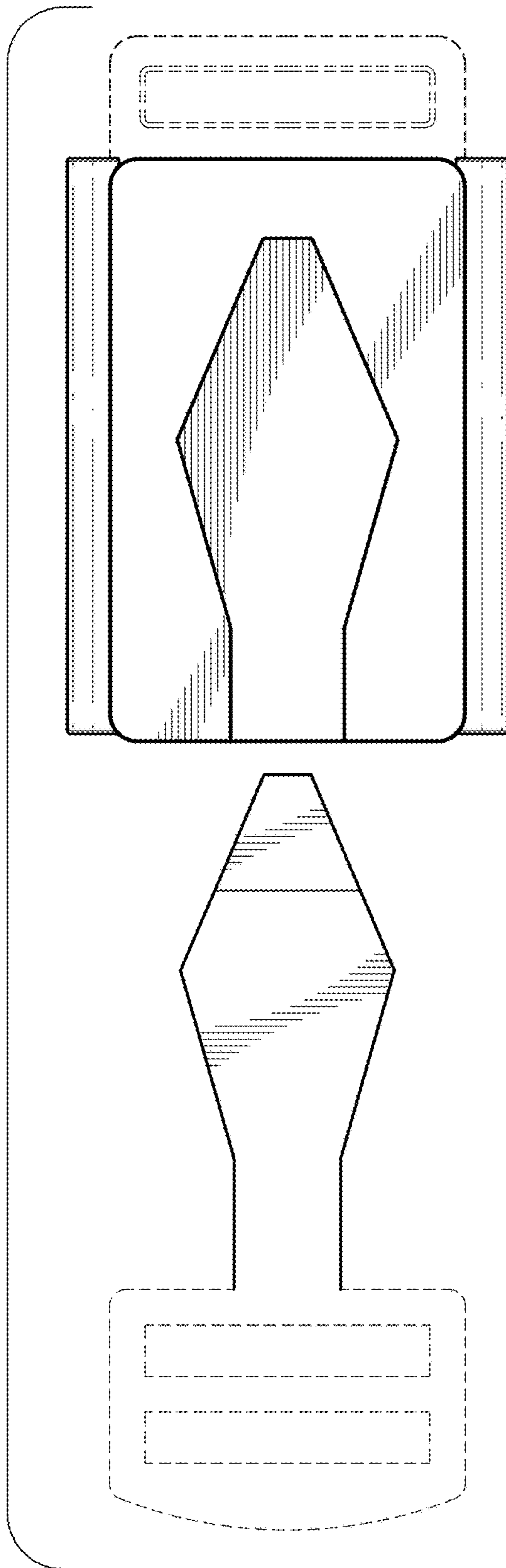
\* cited by examiner

*FIG. 1*

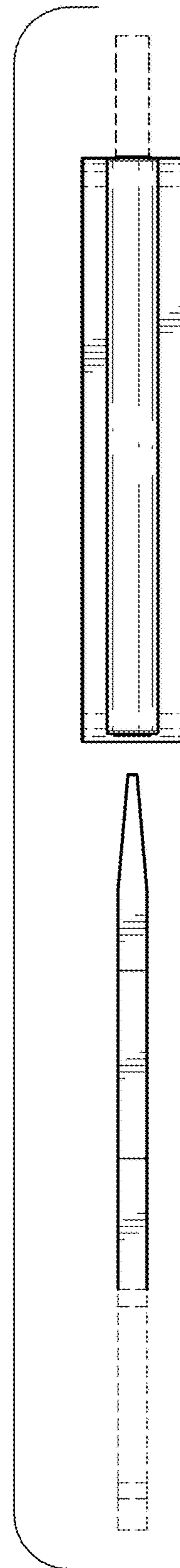




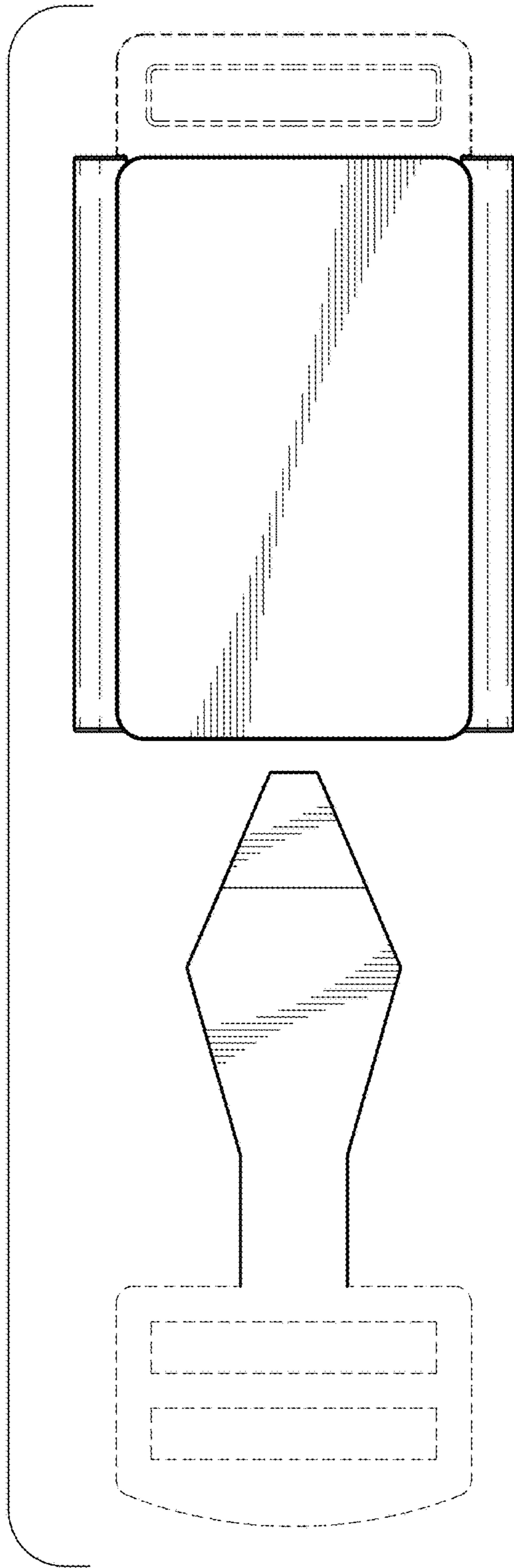
**FIG. 2**



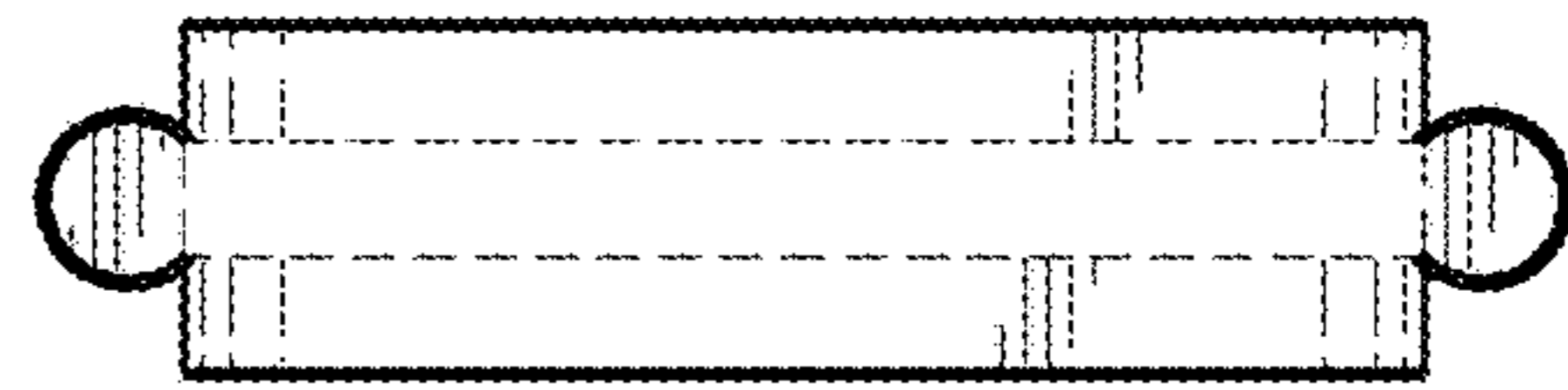
**FIG. 3**



**FIG. 4**



**FIG. 5**



**FIG. 6**



**FIG. 7**

