



US00D811926S

(12) **United States Design Patent**
Luig

(10) **Patent No.:** **US D811,926 S**
(45) **Date of Patent:** **** Mar. 6, 2018**

(54) **RUBBER RING WITH INTERCHANGEABLE JEWELRY**

D651,932 S * 1/2012 Molik D11/3
D652,336 S * 1/2012 Molik D11/3
8,540,544 B1 * 9/2013 Logue A44C 5/00
446/101

(71) Applicant: **Zandy Luig**, Weatherford, TX (US)

D691,505 S * 10/2013 Fillon D11/3
D708,089 S * 7/2014 Burbano D11/6

(72) Inventor: **Zandy Luig**, Weatherford, TX (US)

D717,684 S * 11/2014 Delaney D11/3
D734,686 S * 7/2015 Alton D11/35

(**) Term: **15 Years**

D771,189 S * 11/2016 Robinson D11/34
2013/0074545 A1 * 3/2013 Moloney A43B 23/24
63/3.1

(21) Appl. No.: **29/578,425**

(22) Filed: **Sep. 21, 2016**

OTHER PUBLICATIONS

(51) **LOC (11) Cl.** **11-01**

[Online] "Lusasul Jewelry Aggressive Ring" <https://cdn.trendhunterstatic.com/thumbs/lusasul-jewelry-aggressive.jpeg>. Retrieved Sep. 30, 2017.*

(52) **U.S. Cl.**

USPC **D11/26**

(58) **Field of Classification Search**

USPC D11/1, 2, 26-39, 40-44, 79-86, 91, 92;
D30/152

CPC A44C 9/00; A44C 9/0007; A44C 9/0015;
A44C 9/0023; A44C 9/003; A44C
9/0038; A44C 9/0046; A44C 9/0053;
A44C 9/0061; A44C 9/0069; A44C
9/0076; A44C 17/02; A44C 17/0208;
A44C 17/0216; A44C 5/003; A44C
25/00; A44C 25/001; A44C 25/002; A44C
25/007; A44C 15/002; G08B 15/004;
F41H 9/10

See application file for complete search history.

(Continued)

Primary Examiner — Melanie Pellegrini

(74) *Attorney, Agent, or Firm* — Ramey & Schwaller, LLP

(57) **CLAIM**

The ornamental design for a rubber ring with interchangeable jewelry, as shown and described.

DESCRIPTION

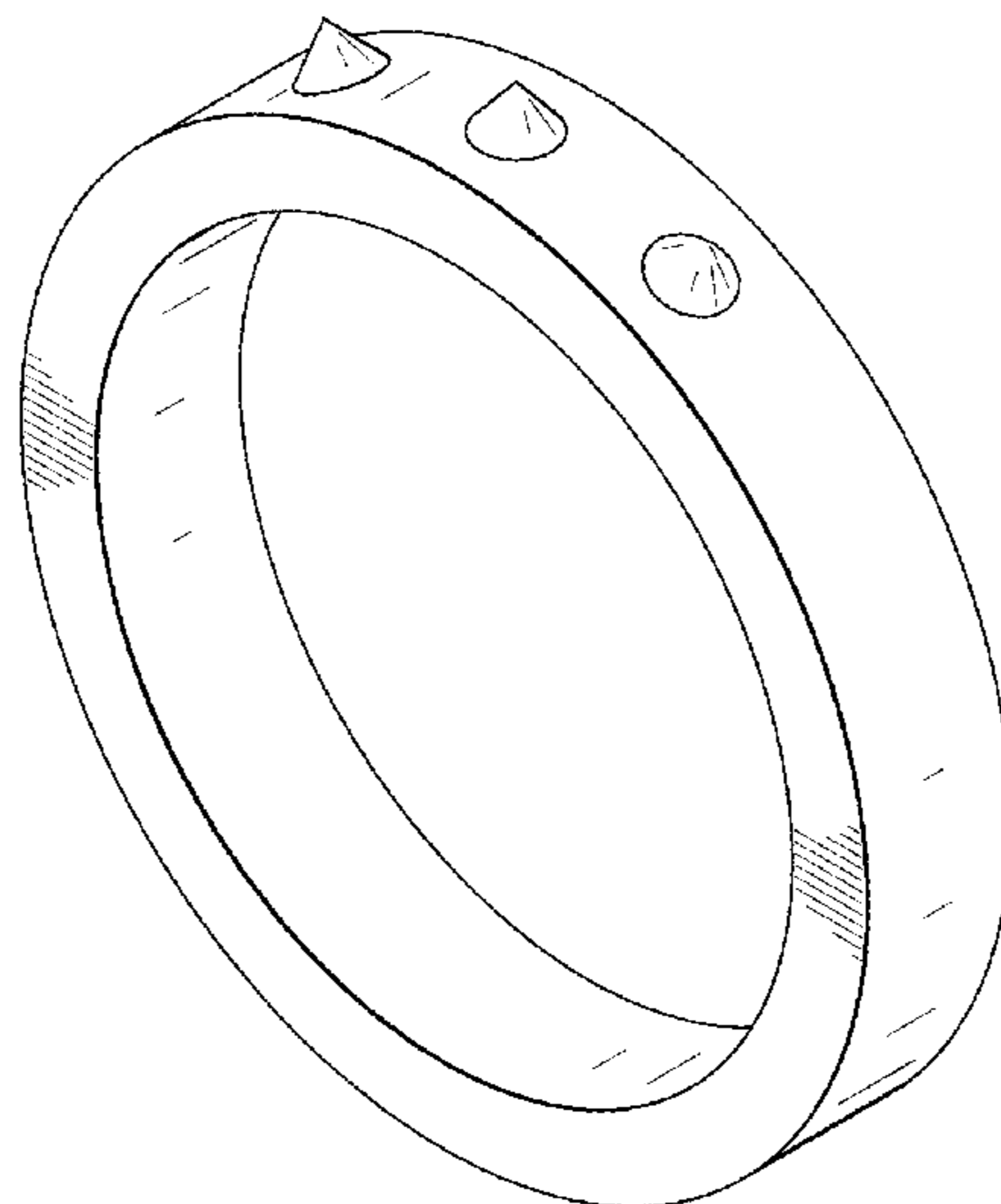
FIG. 1 shows a top perspective view of a rubber ring with interchangeable jewelry showing my new design; FIG. 2 shows a front view thereof; FIG. 3 shows a rear view thereof; FIG. 4 shows a left side view thereof; FIG. 5 shows a right side view thereof; FIG. 6 shows a top plan view thereof; FIG. 7 shows a bottom plan view thereof; FIG. 8 shows a bottom perspective view thereof; and, FIG. 9 shows a bottom perspective view thereof with the interchangeable jewelry shown separately for completeness of illustration.

(56) **References Cited**

U.S. PATENT DOCUMENTS

D142,713 S * 10/1945 Graeter D10/32
2,413,541 A * 12/1946 Brady A44C 5/0084
63/3
D149,396 S * 4/1948 Babin D11/5
D416,512 S * 11/1999 Rossi D11/38
6,123,228 A * 9/2000 Hippensteel A44C 9/0053
222/153.11
6,578,982 B1 * 6/2003 Lynch A44C 15/0015
362/103
D541,692 S * 5/2007 Daas D11/16

1 Claim, 6 Drawing Sheets



(56)

References Cited

OTHER PUBLICATIONS

[Online] <http://www.blumaize.net/im/mens-jewelry/spike-ring-4.jpg>. Retrieved Sep. 30, 2017.*

[Online] "Rubber Spike Ring" https://ae01.alicdn.com/kf/HTB1Pu_wQpXXXXclXpXXq6xXFXXXz/wholesale-4PCS-2Pair-Jewelry-for-women-Men-font-b-Earring-b-font-Punk-boy-Rivet-font.jpg. Retrieved Sep. 30, 2017.*

* cited by examiner

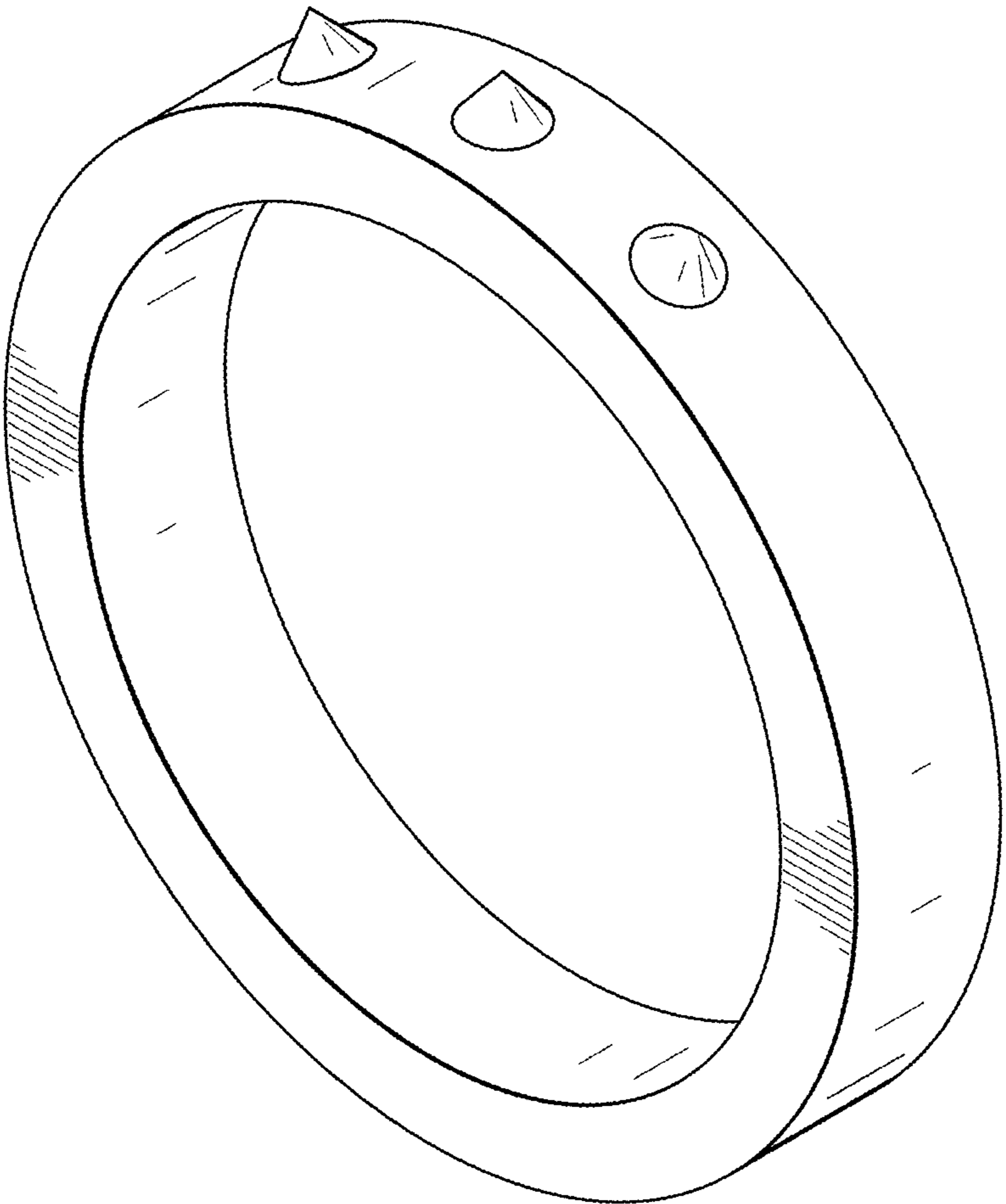


FIG. 1

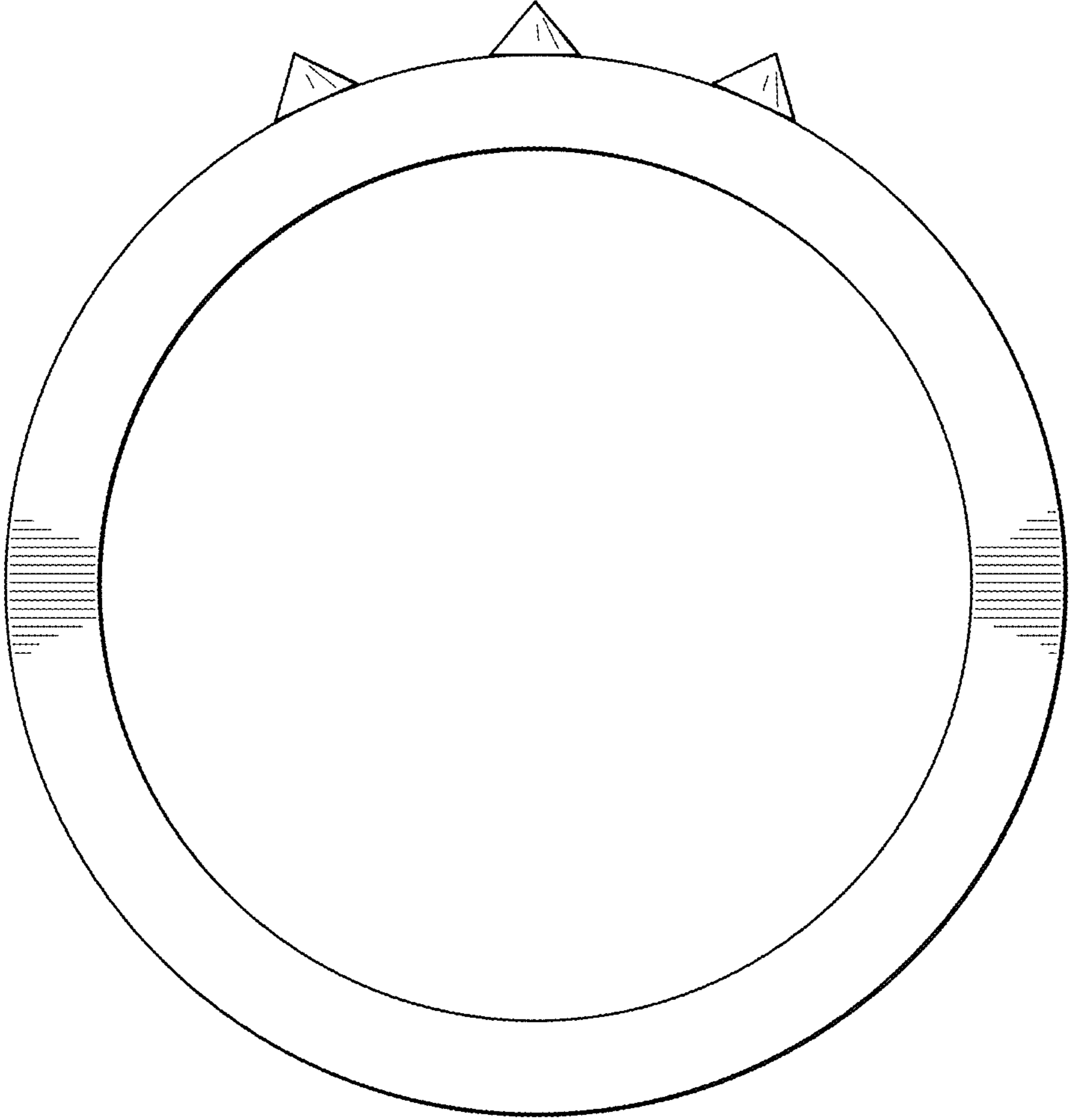


FIG. 2

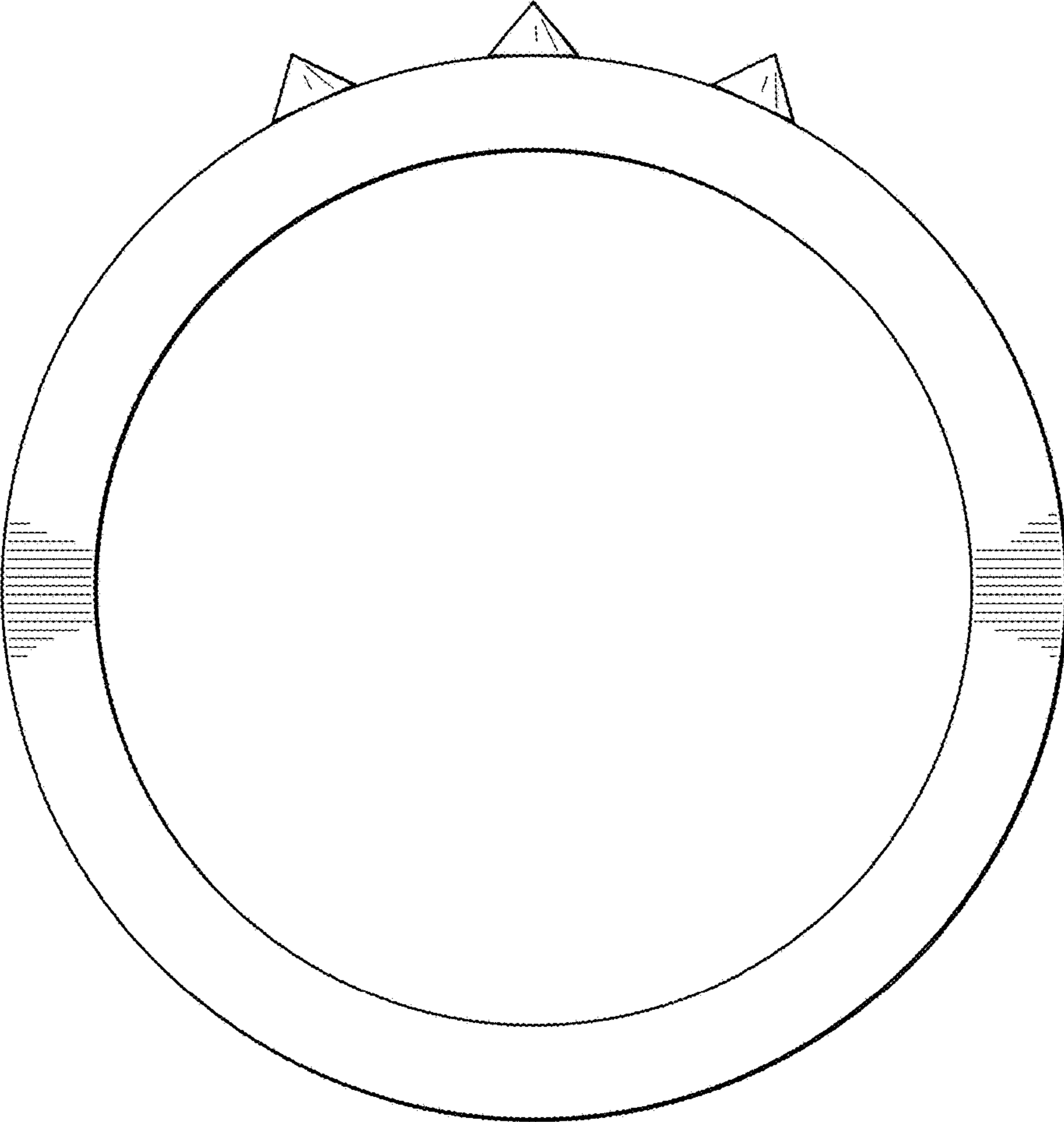


FIG. 3

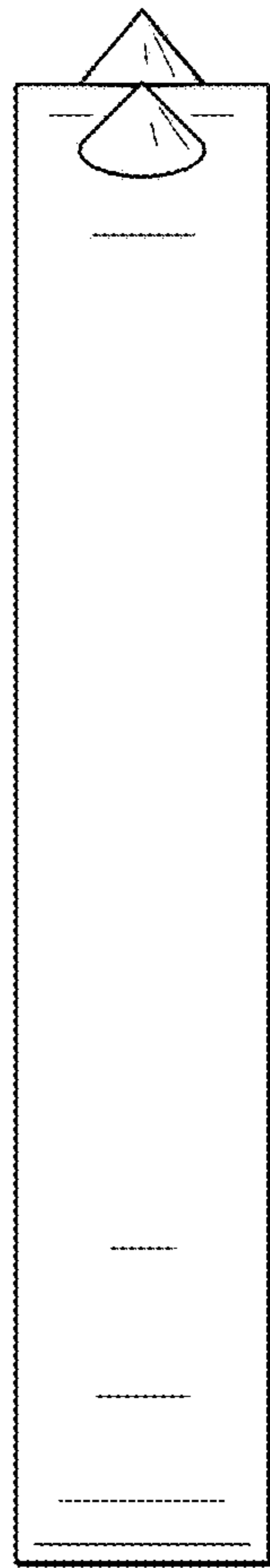


FIG. 4

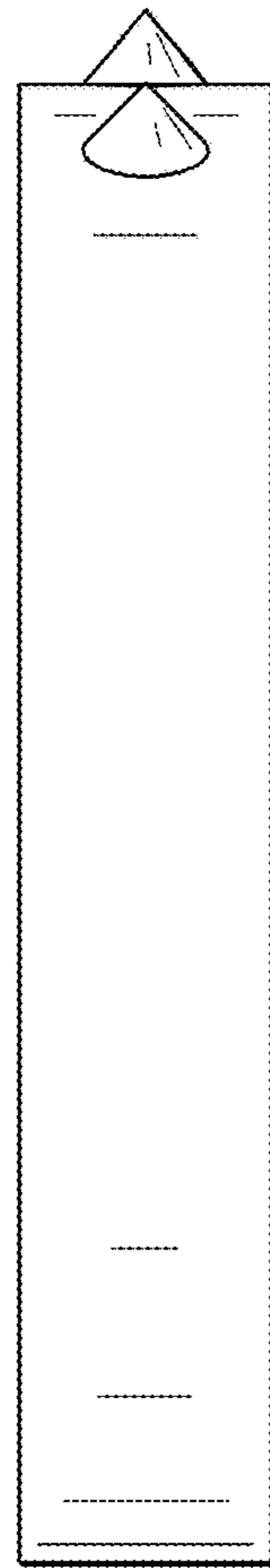


FIG. 5

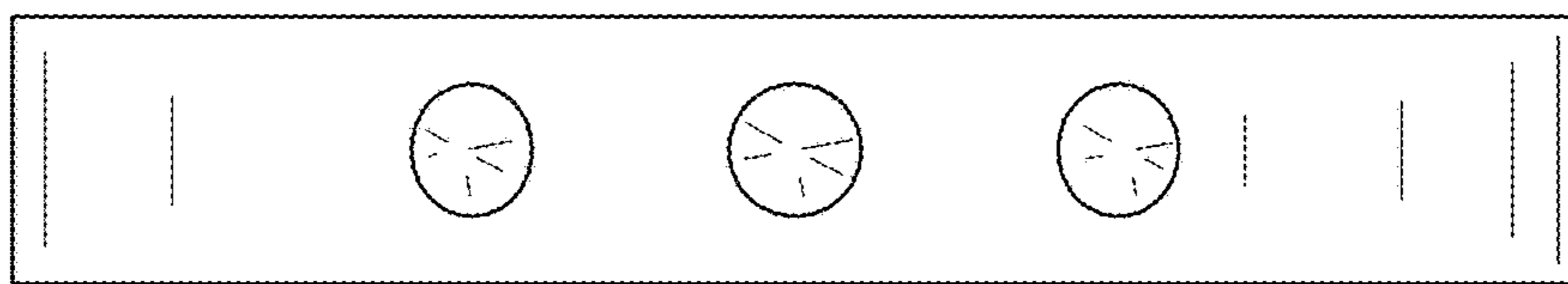


FIG. 6

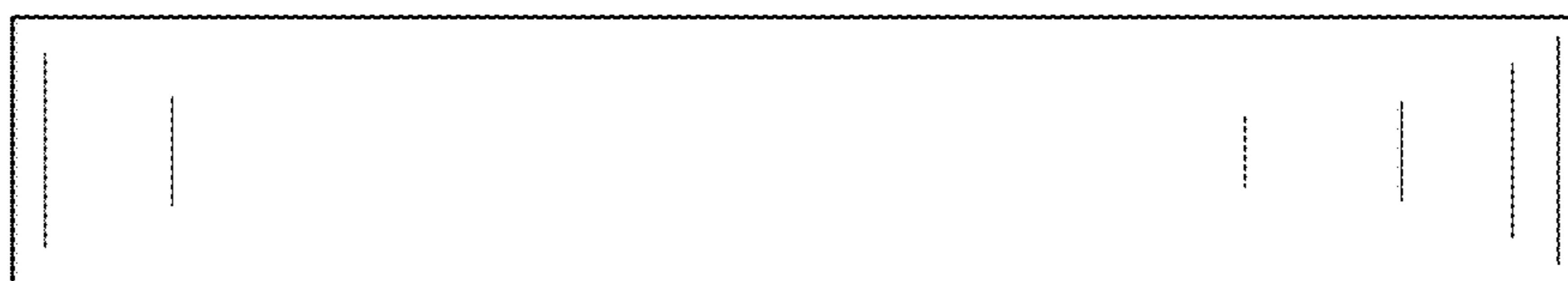


FIG. 7

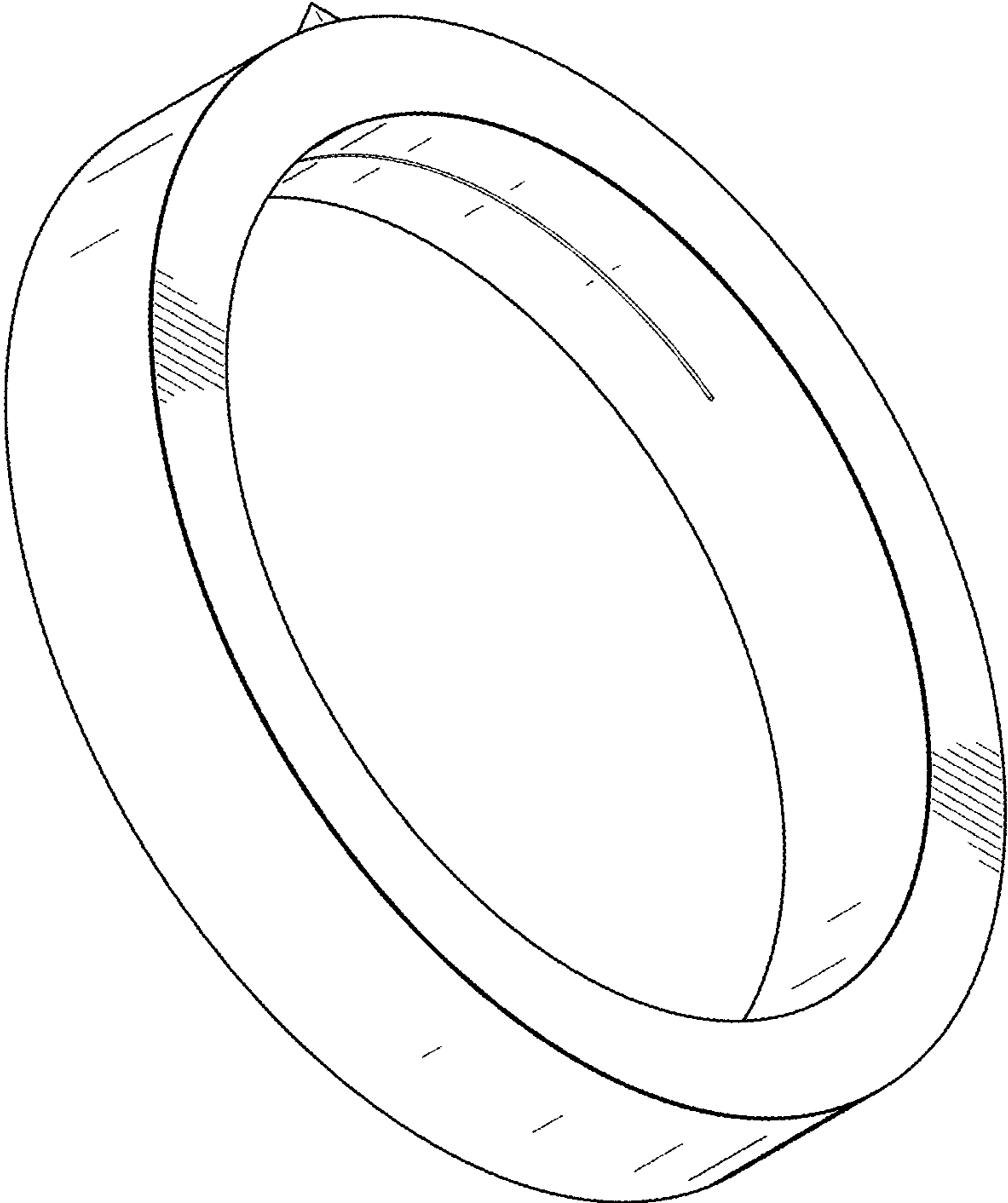


FIG. 8

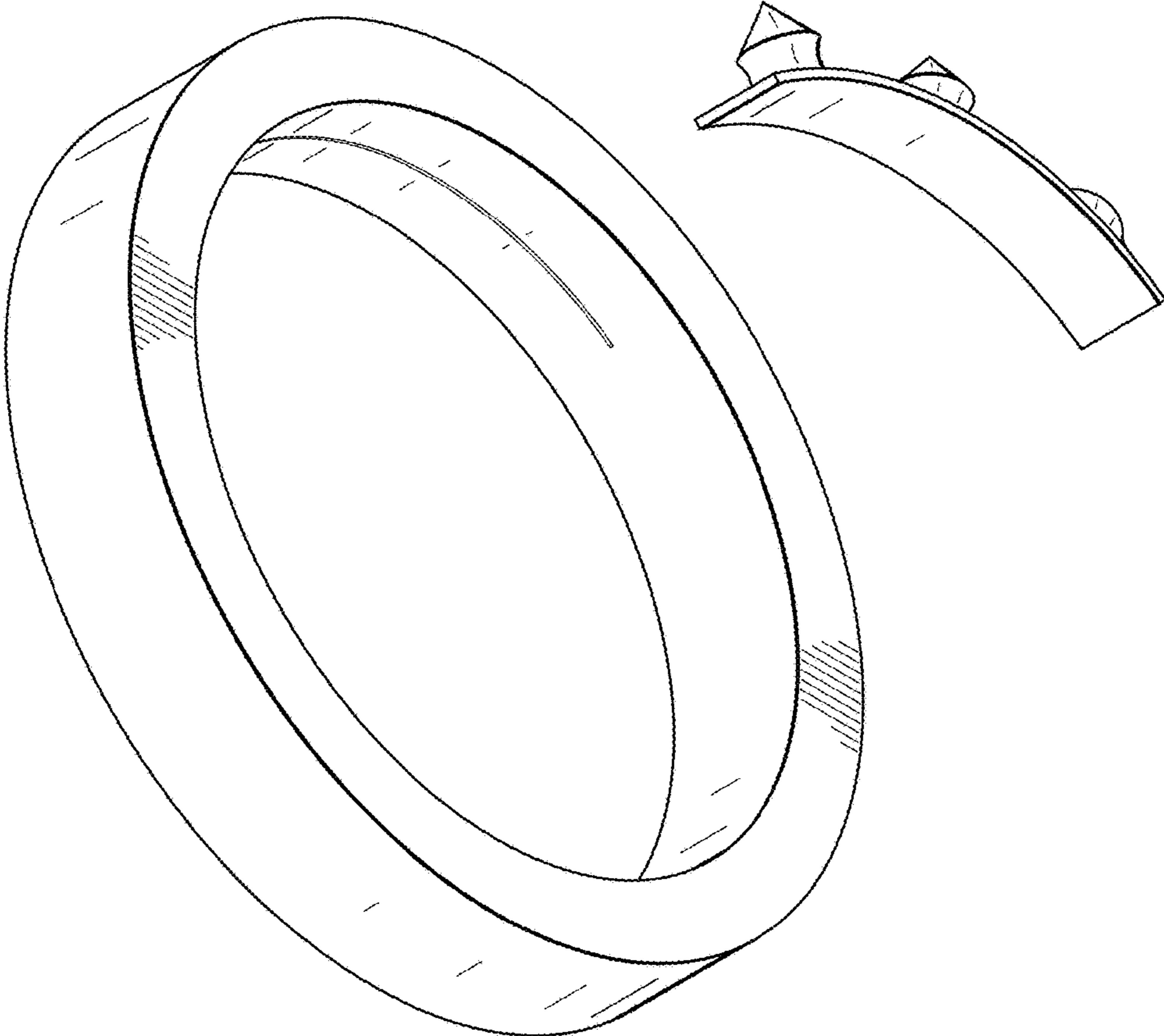


FIG. 9