



US00D811922S

(12) **United States Design Patent**
Lefave

(10) **Patent No.:** **US D811,922 S**
(45) **Date of Patent:** **** Mar. 6, 2018**

(54) **JEWELRY ARTICLE**

(71) Applicant: **Karen Lefave**, Toronto (CA)

(72) Inventor: **Karen Lefave**, Toronto (CA)

(**) Term: **15 Years**

(21) Appl. No.: **29/576,341**

(22) Filed: **Sep. 1, 2016**

(51) **LOC (11) Cl.** **11-01**

(52) **U.S. Cl.**
USPC **D11/1; D11/79**

(58) **Field of Classification Search**
USPC D11/1, 2, 7, 8, 11, 16, 17, 24, 27, 40,
D11/41-44, 56, 66, 70, 75, 76, 79, 86,
D11/89, 103, 108, 121, 178, 184, 202,
D11/212, 228

CPC . A44C 13/00; A44C 17/0225; A44C 17/0241;
A44C 25/00

See application file for complete search history.

(56) **References Cited**

U.S. PATENT DOCUMENTS

D67,032 S *	4/1925	Hartline	D11/96
D247,193 S *	2/1978	Maxwell	D11/108
D258,544 S *	3/1981	Benedetto	D11/96
D367,436 S *	2/1996	Bloch	D11/108
D374,753 S *	10/1996	Tintle	D1/106
D470,432 S *	2/2003	Rabinowitz	D11/121
D520,402 S *	5/2006	Psaltis	D11/96
D583,265 S *	12/2008	Kraus	D10/68
D635,485 S *	4/2011	Schanzer	D11/70
D718,653 S *	12/2014	Attia	D11/70

OTHER PUBLICATIONS

Star of David Pendant with Unique Hexagon (available online Sep. 25, 2014) Retrieved Nov. 6, 2017, retrieved from URL: <http://www.>

judaic-jewelry.com/necklaces/star-of-david-pendant-with-unique-hexagon-by-bestnamenecklaces.html.
Nemecene Logo (available online) Retrieved Nov. 6, 2017, retrieved from URL: <http://nemecene.com/>.

* cited by examiner

Primary Examiner — Garth Rademaker
Assistant Examiner — Richard Kearney
(74) *Attorney, Agent, or Firm* — John H. Choi & Associates LLC

(57) **CLAIM**

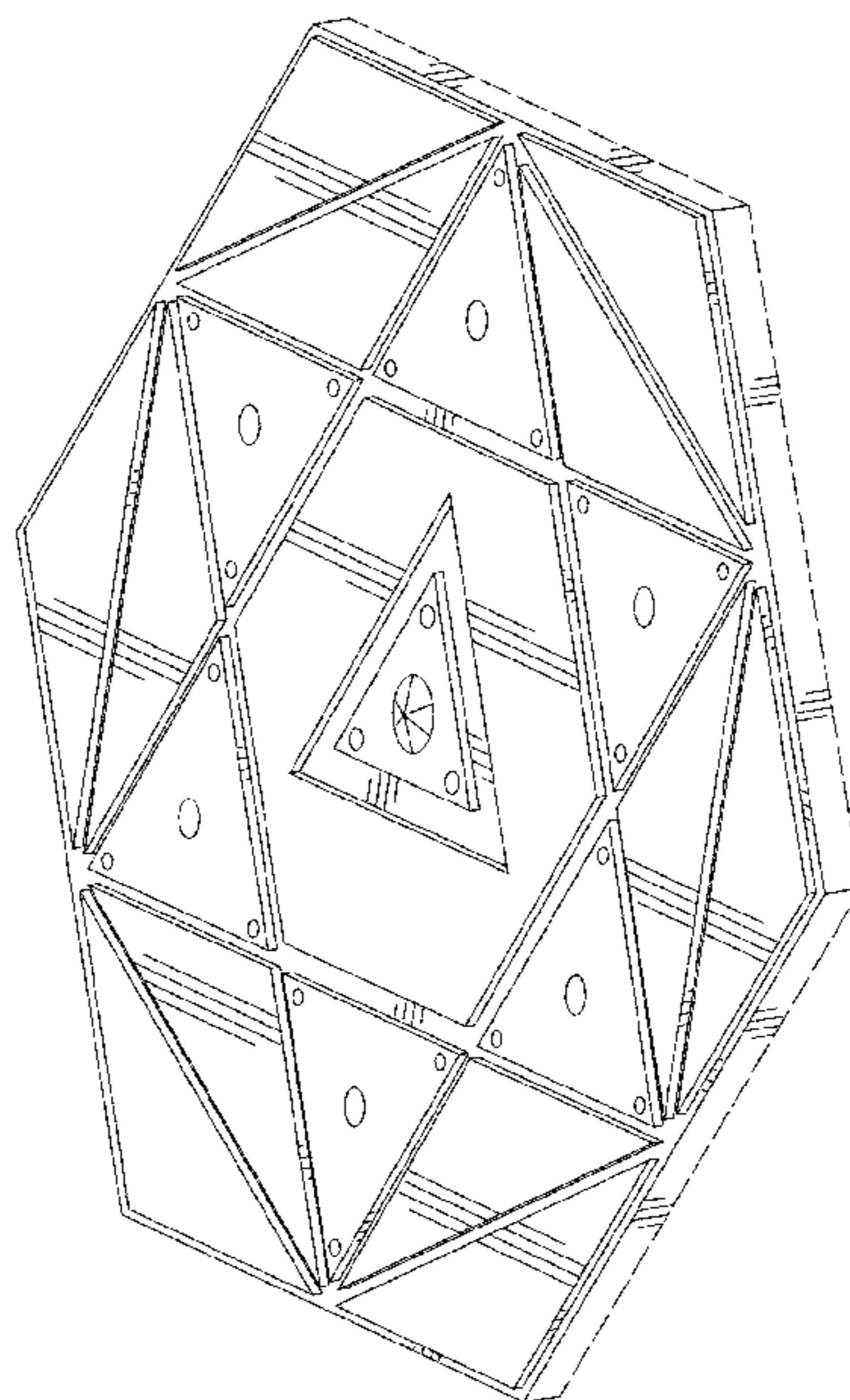
The ornamental design for a jewelry article, as shown and described.

DESCRIPTION

FIG. 1 is a perspective view of a first embodiment of a jewelry article;
FIG. 2 is a front view thereof;
FIG. 3 is a rear view thereof;
FIG. 4 is a left side view thereof;
FIG. 5 is a right side view thereof;
FIG. 6 is a top view thereof;
FIG. 7 is a bottom view thereof;
FIG. 8 is a perspective view of a second embodiment of the jewelry article;
FIG. 9 is a front view thereof;
FIG. 10 is a rear view thereof;
FIG. 11 is a left side view thereof;
FIG. 12 is a right side view thereof;
FIG. 13 is a top view thereof; and,
FIG. 14 is a bottom view thereof.

The jewelry article can be used as a pendant, earring, ring, brooch, bracelet, hair pin, cuff link or tie pin.

1 Claim, 6 Drawing Sheets



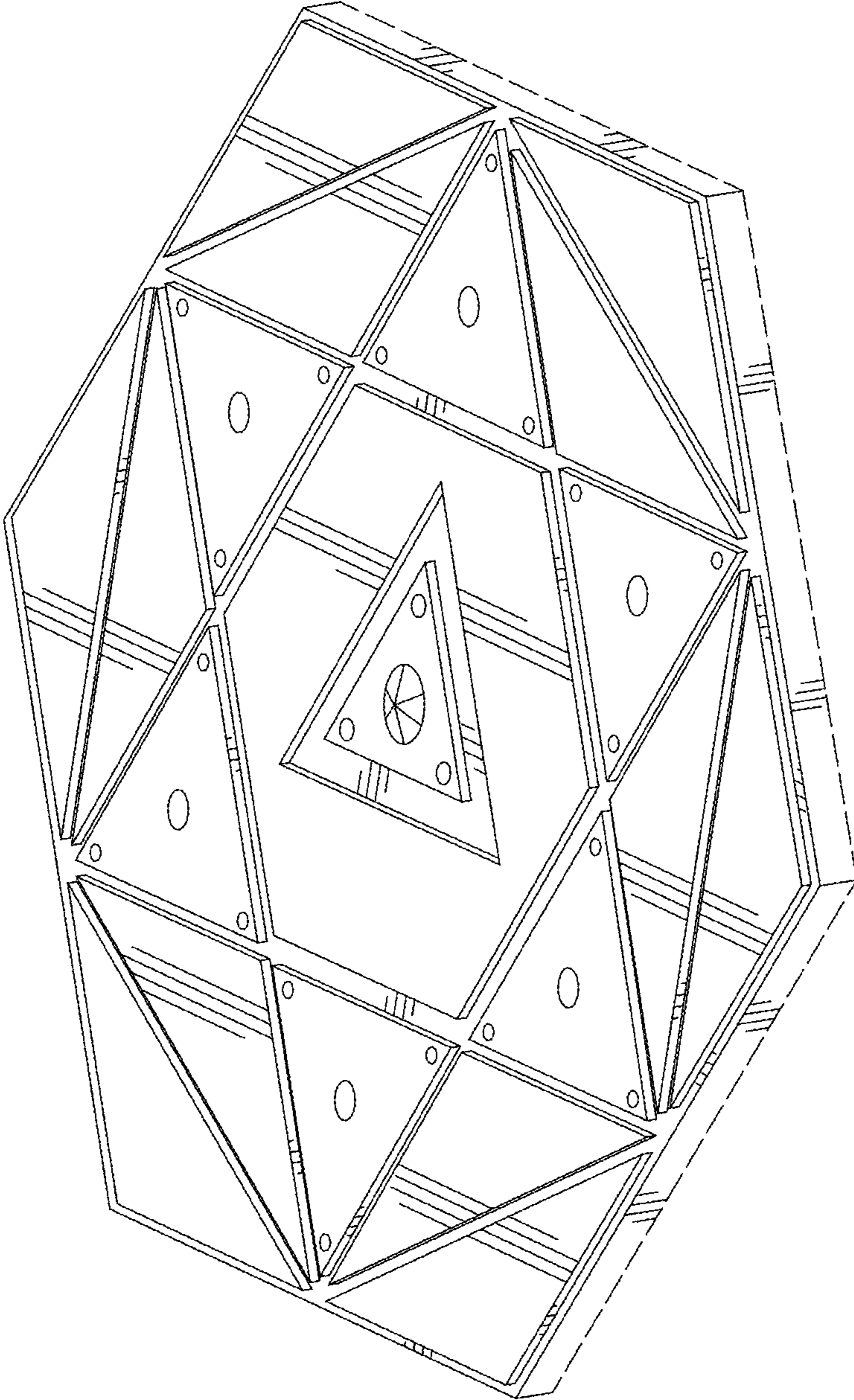


FIG. 1

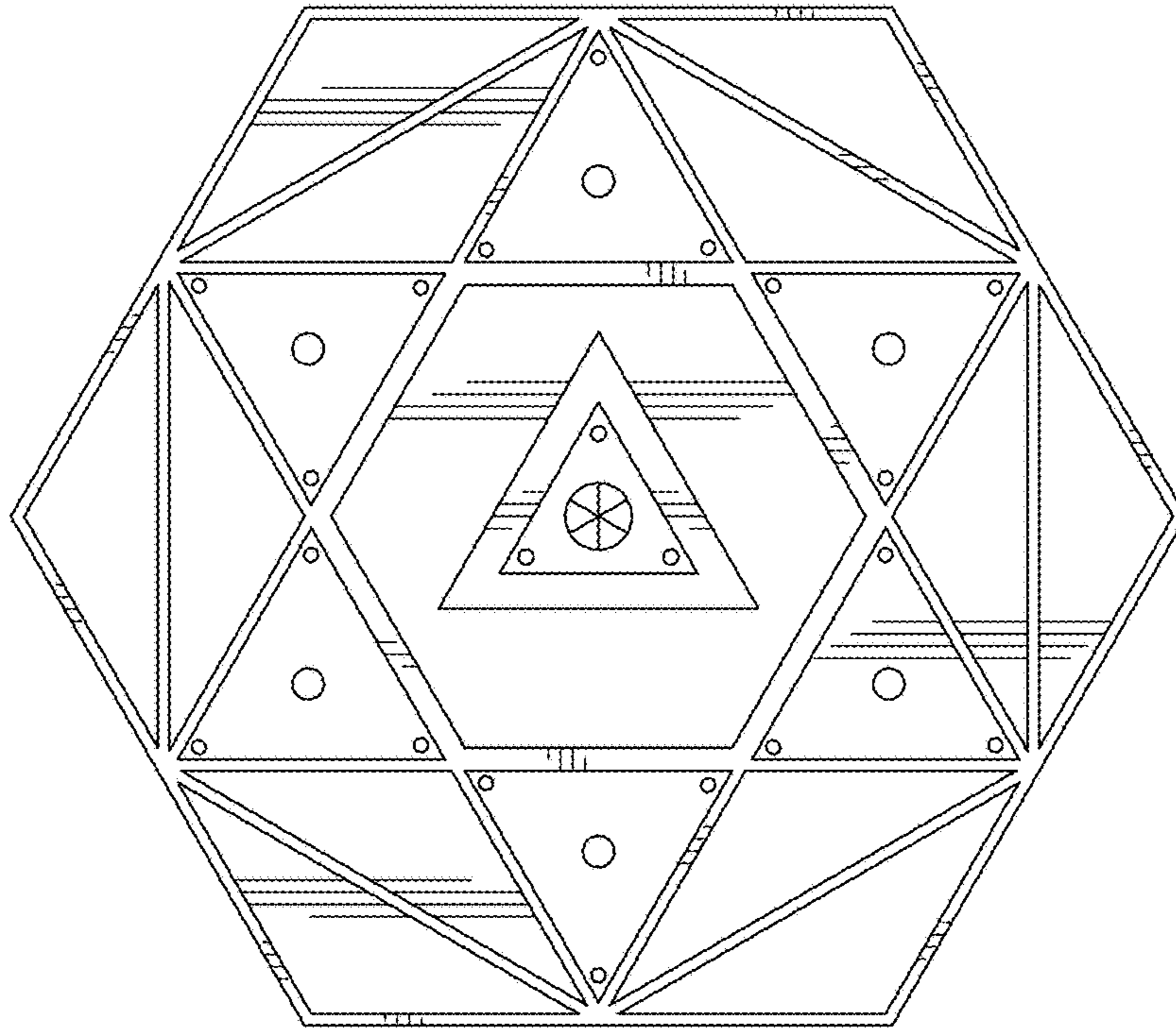


FIG. 2

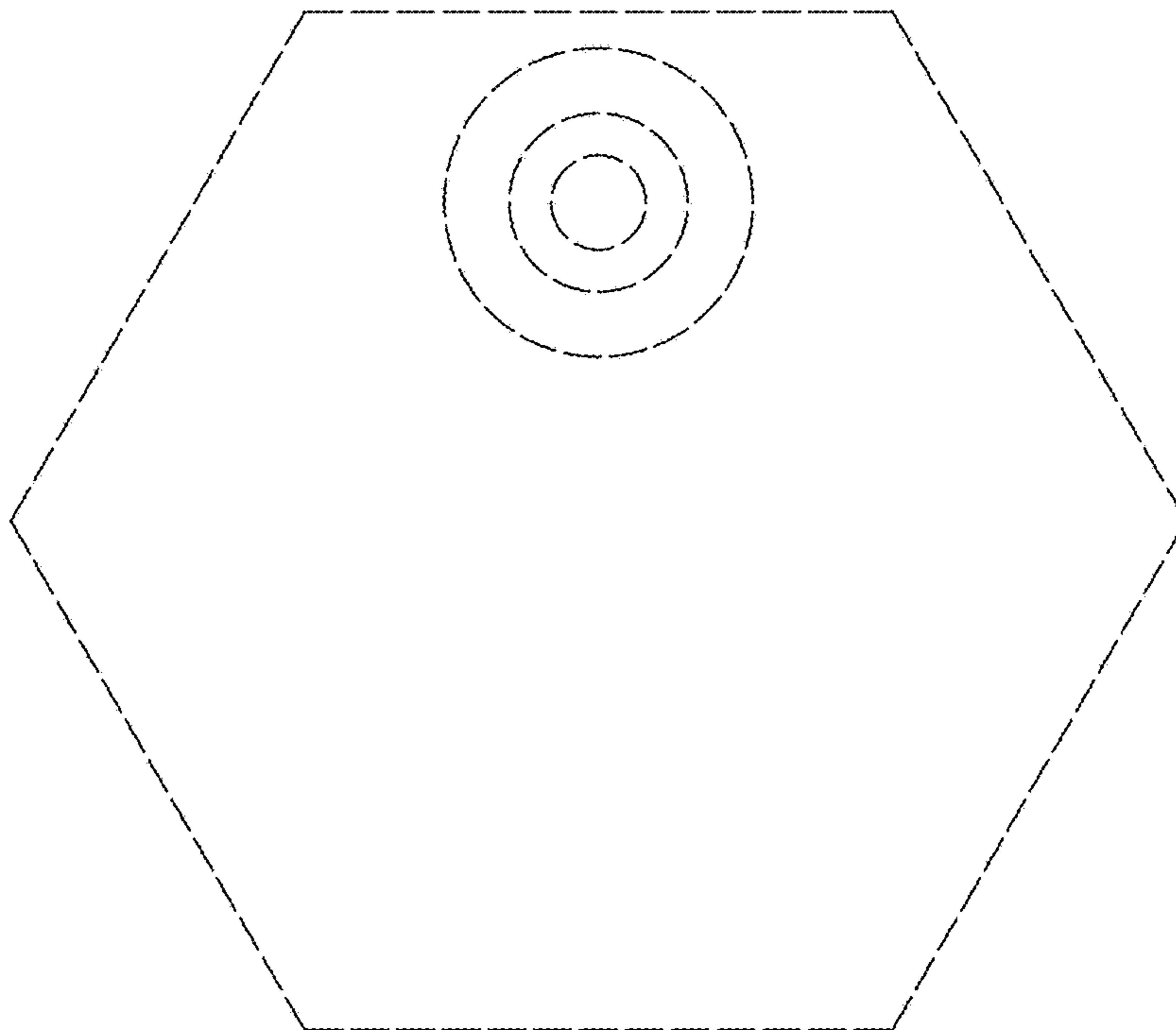


FIG. 3

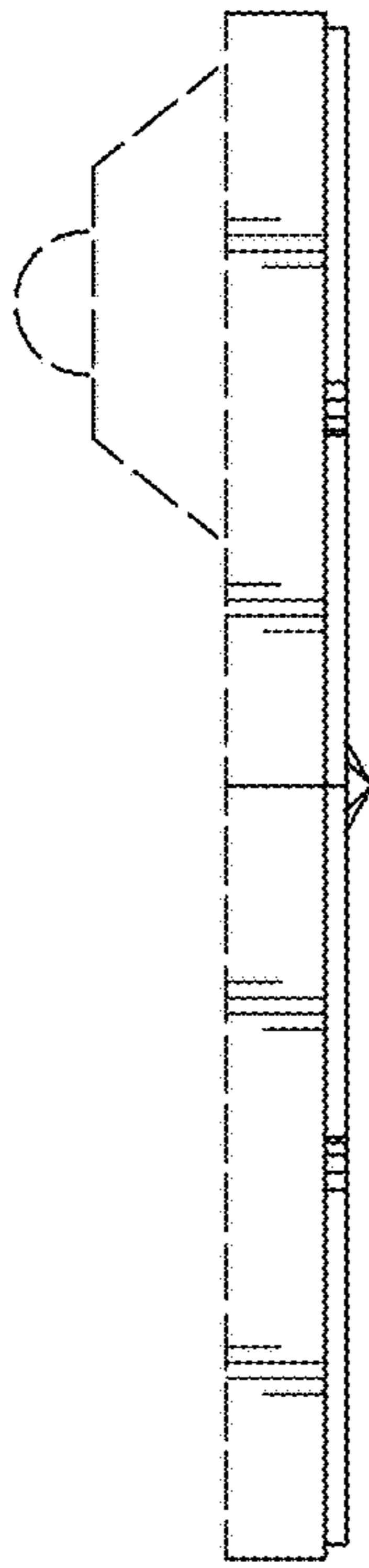


FIG. 4

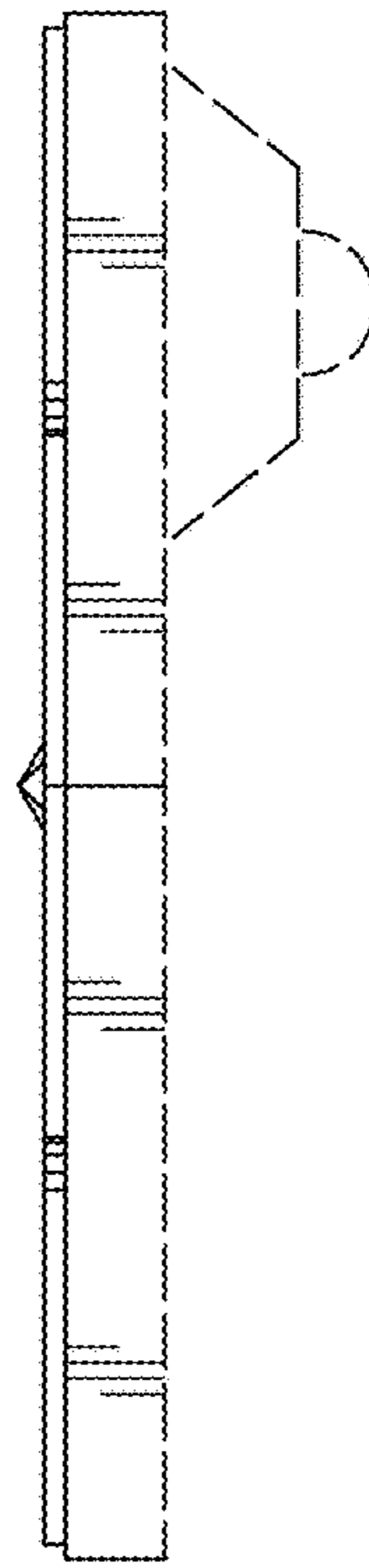


FIG. 5

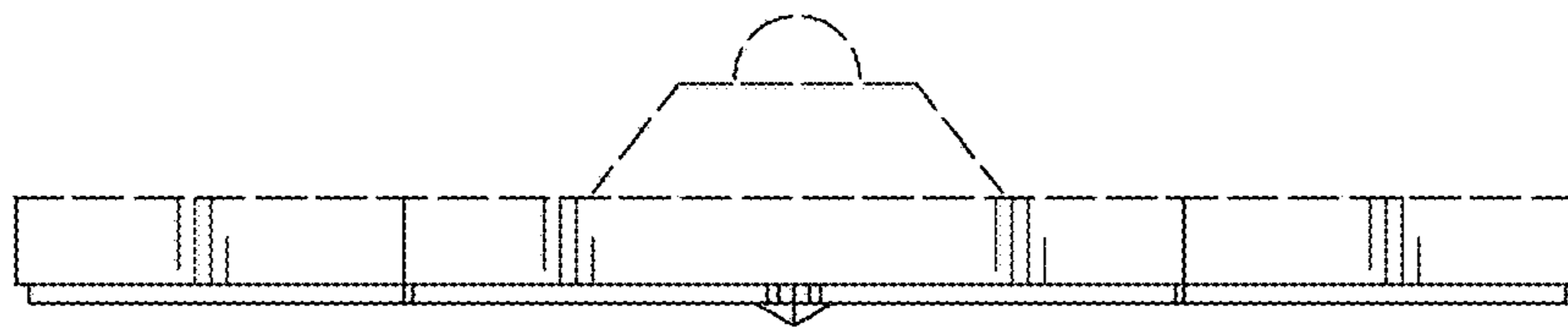


FIG. 6

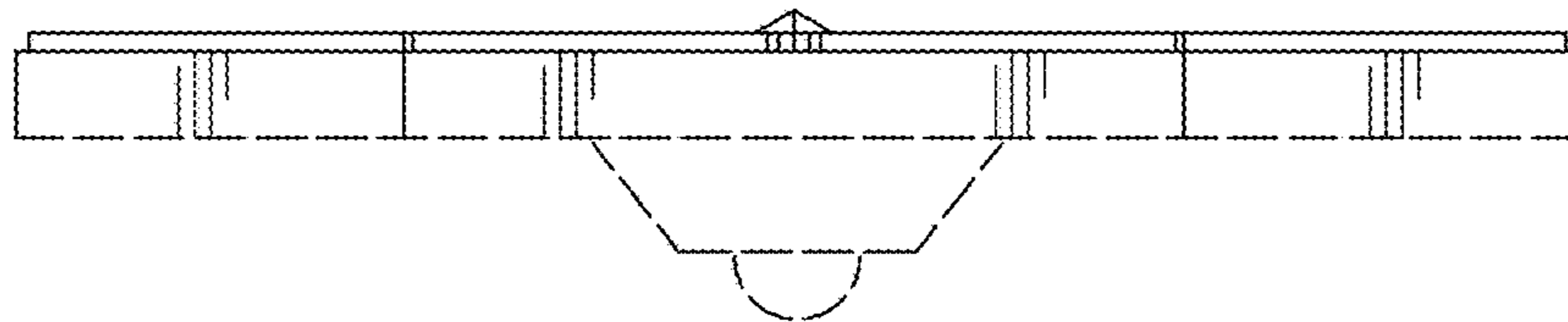


FIG. 7

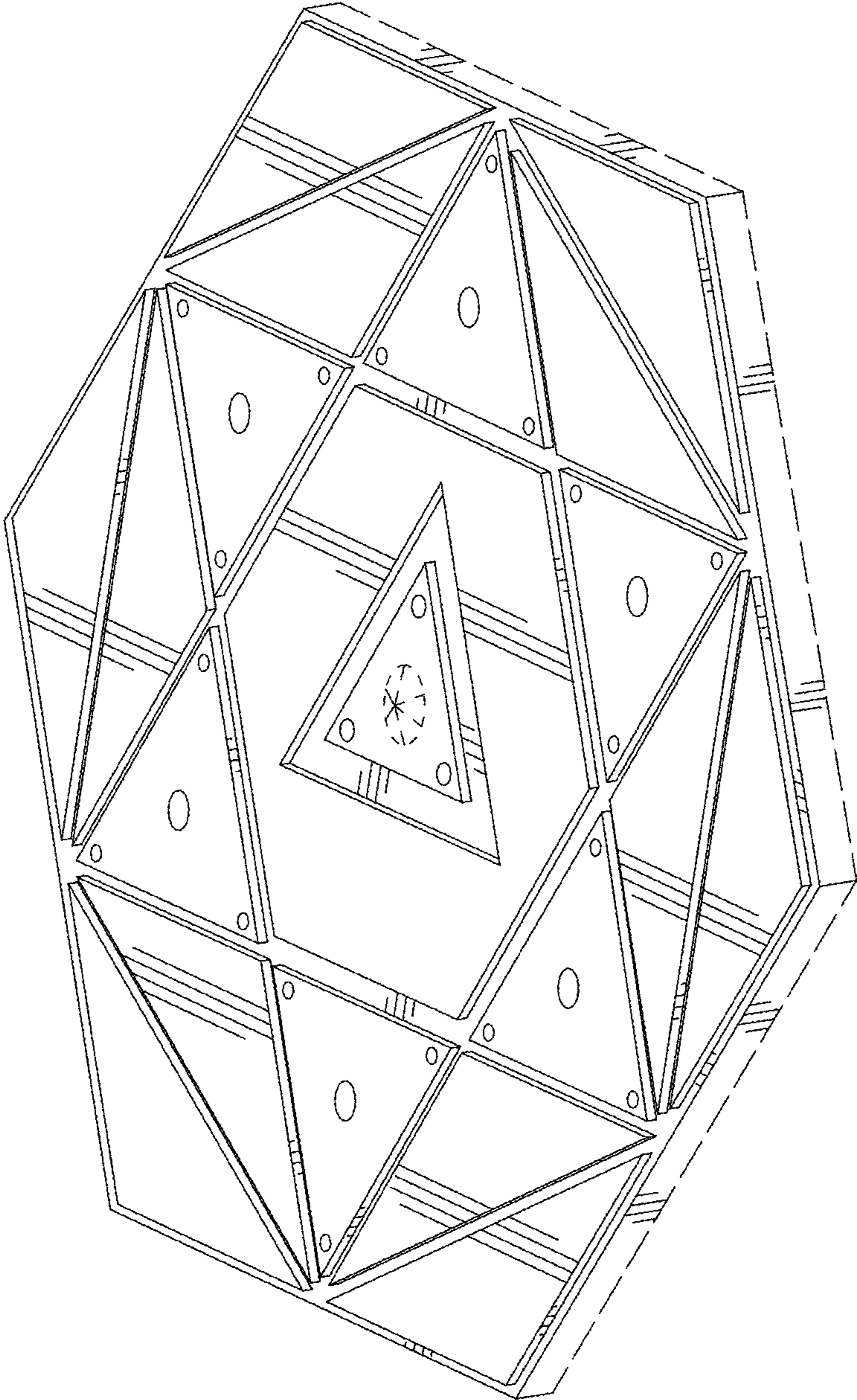


FIG. 8

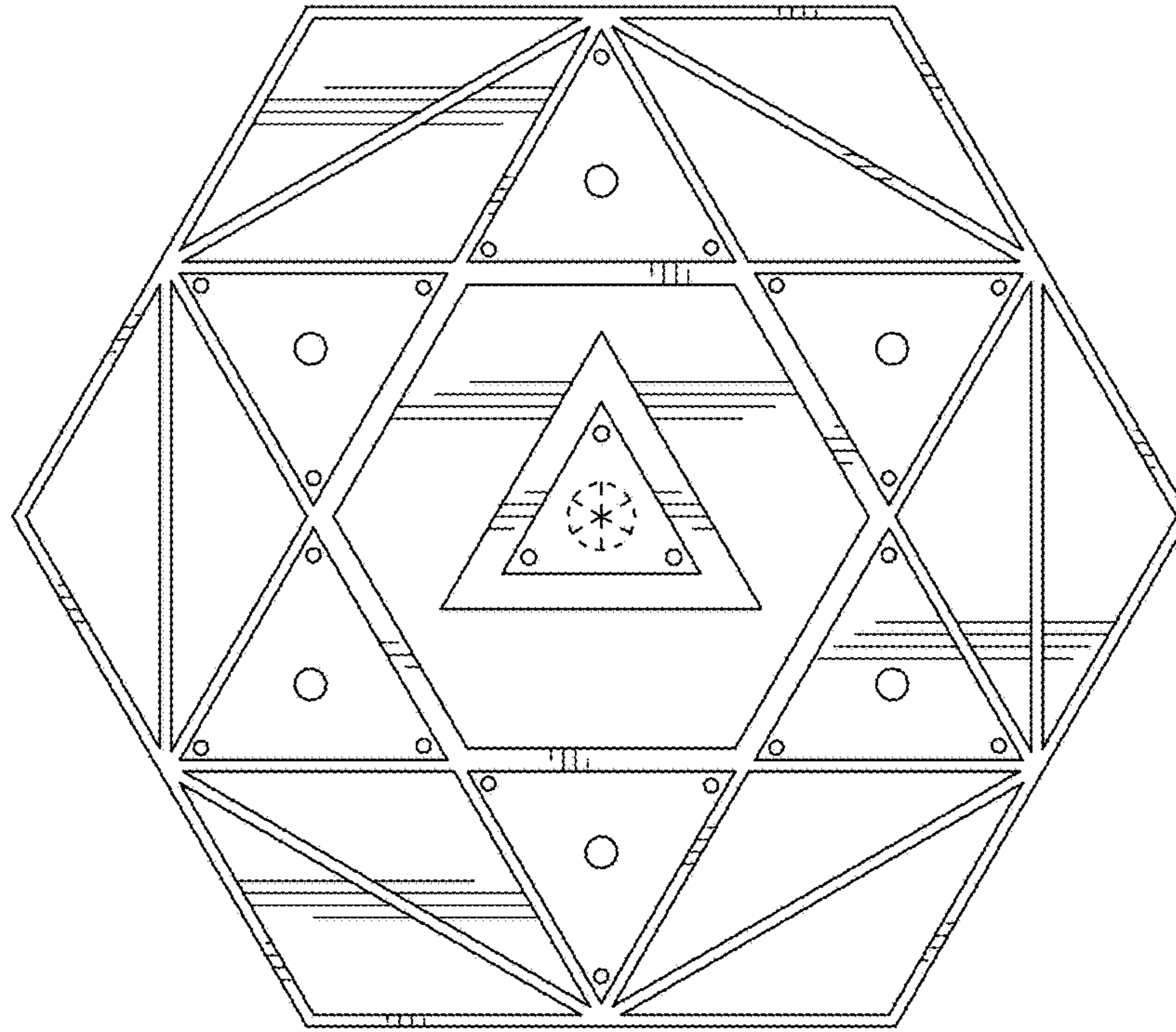


FIG. 9

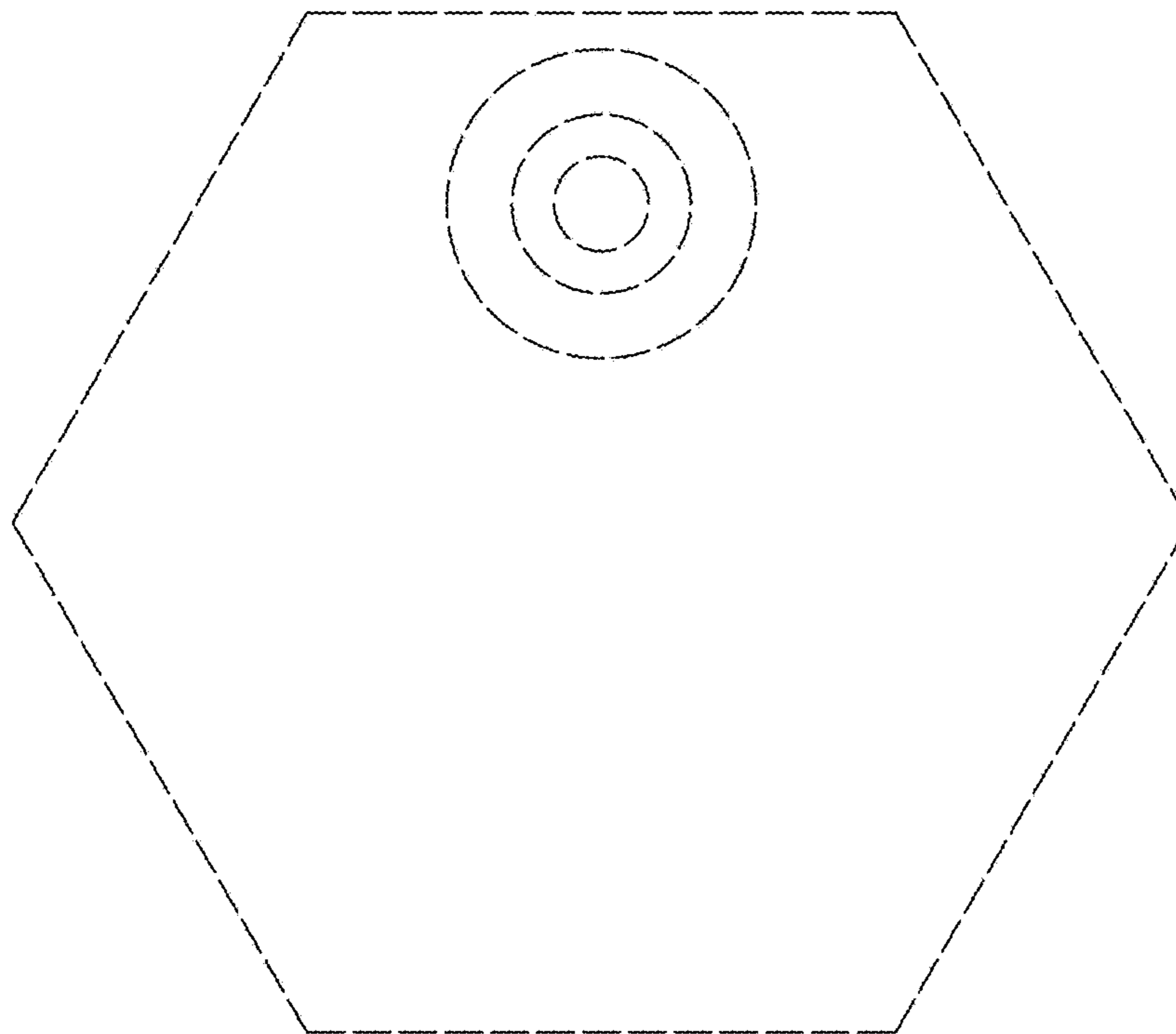


FIG. 10

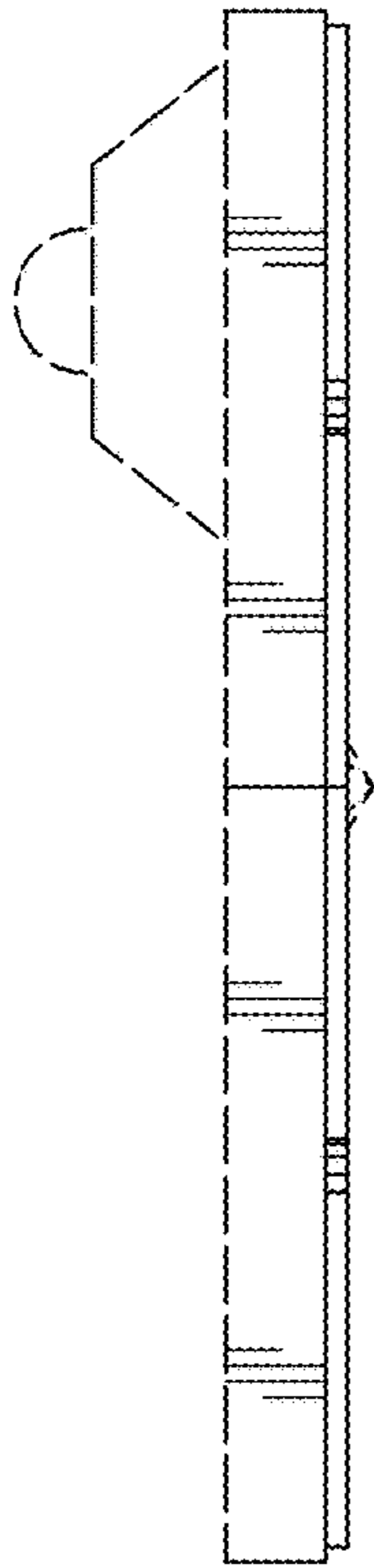


FIG. 11

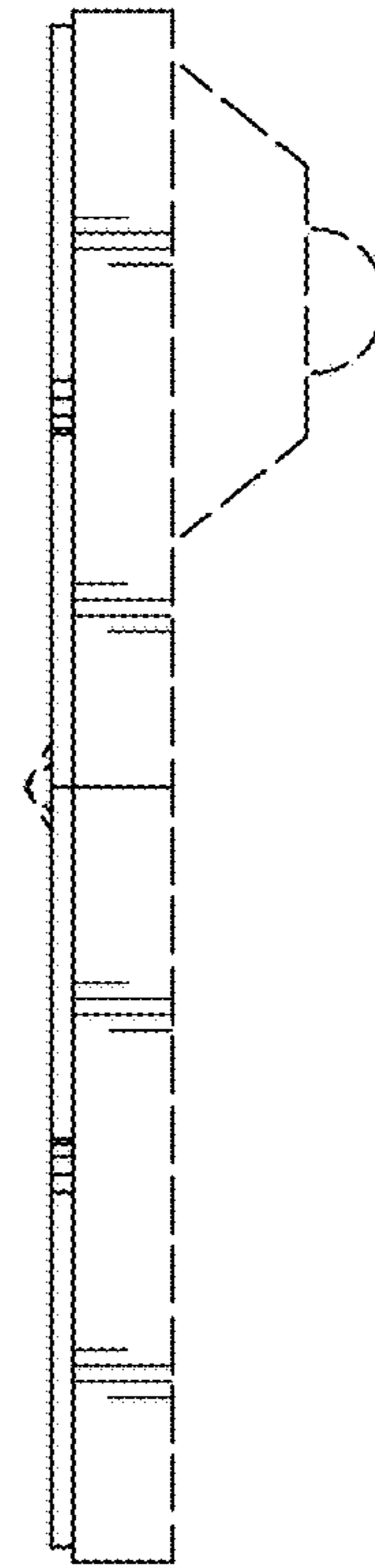


FIG. 12

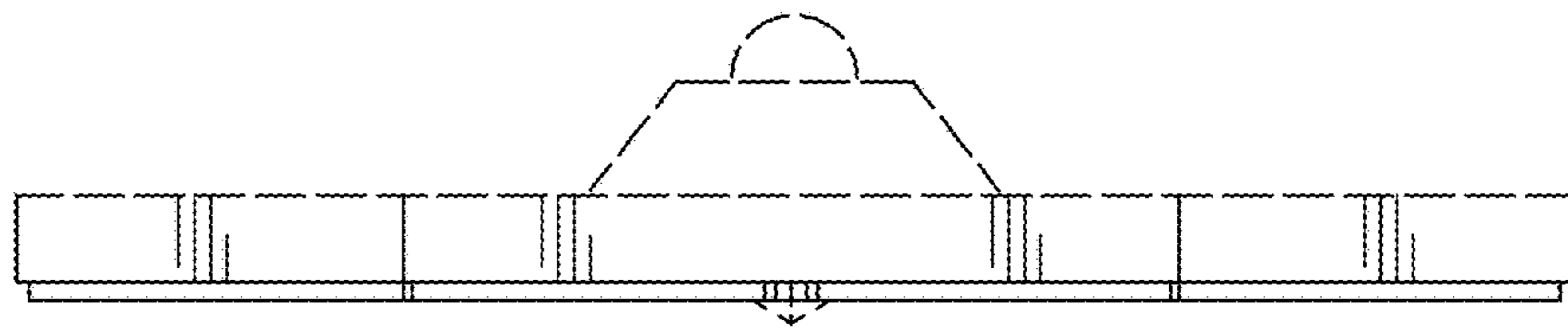


FIG. 13

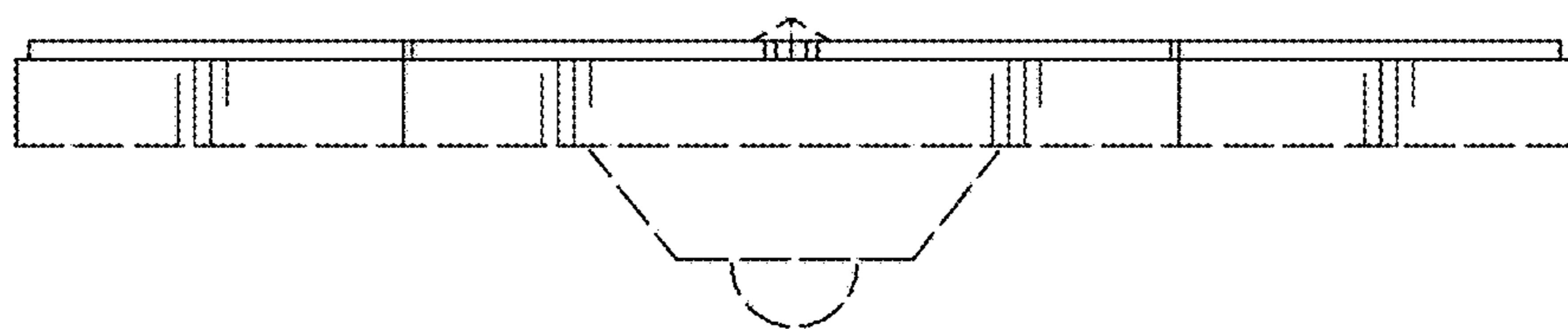


FIG. 14