



US00D811920S

(12) **United States Design Patent**
Covelli et al.

(10) **Patent No.:** **US D811,920 S**
(45) **Date of Patent:** **** Mar. 6, 2018**

- (54) **LIGHT SIGNAL DEVICE**
- (71) Applicant: **Sirius Signal Co.**, San Diego, CA (US)
- (72) Inventors: **Anthony W. Covelli**, La Costa, CA (US); **Robert B. Simons, Jr.**, San Diego, CA (US)
- (73) Assignee: **Sirius Signal Co.**
- (**) Term: **15 Years**
- (21) Appl. No.: **29/595,834**
- (22) Filed: **Mar. 2, 2017**

4,628,420 A 12/1986 McArthur
 4,896,620 A * 1/1990 Jones B63B 51/02
 114/253
 D318,817 S * 8/1991 Sinrod D10/107
 D451,044 S * 11/2001 Campman D10/107
 D608,232 S * 1/2010 Duran Neira D10/107
 7,859,425 B2 12/2010 Glasa et al.

* cited by examiner

Primary Examiner — Marcus Jackson

(74) *Attorney, Agent, or Firm* — The Belles Group, P.C.

(57) **CLAIM**

We claim the ornamental design for a light signal device, as shown and described.

Related U.S. Application Data

- (63) Continuation of application No. 29/557,241, filed on Mar. 7, 2016, now Pat. No. Des. 784,175.
- (51) **LOC (11) Cl.** **10-05**
- (52) **U.S. Cl.**
USPC **D10/114.1**
- (58) **Field of Classification Search**
USPC D10/107, 114.1
CPC B63B 22/12; B63B 22/16; B63B 51/04;
B63B 51/02; B63B 45/02; A47G
19/2227; F21L 21/00; B63C 9/0005
See application file for complete search history.

DESCRIPTION

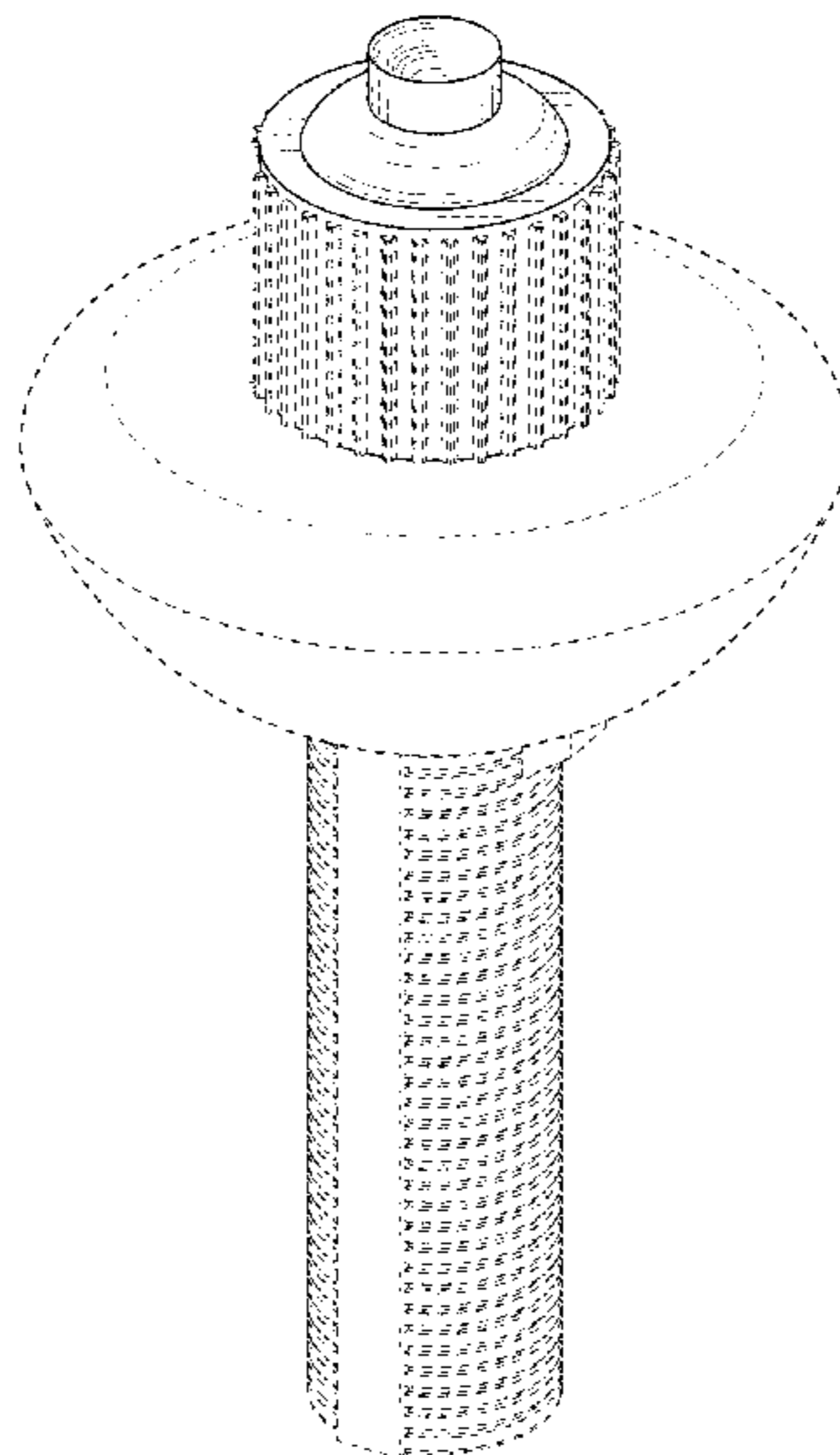
FIG. 1 is a top perspective view of a light signal device according to a first embodiment of our design;
 FIG. 2 is a bottom perspective view thereof;
 FIG. 3 is a front plan view thereof;
 FIG. 4 is a rear plan view thereof;
 FIG. 5 is a right-side plan view thereof, the left-side plan view being a mirror-image of the right-side plan view;
 FIG. 6 is a top plan view thereof;
 FIG. 7 is a bottom plan view thereof;
 FIG. 8 is a top perspective view of a light signal device according to a second embodiment of our design;
 FIG. 9 is a bottom perspective view thereof;
 FIG. 10 is a front plan view thereof;
 FIG. 11 is a rear plan view thereof;
 FIG. 12 is a right-side plan view thereof, the left-side plan view being a mirror-image of the right-side plan view;
 FIG. 13 is a top plan view thereof; and,
 FIG. 14 is a bottom plan view thereof.
 The portions of the drawings shown in broken lines are intended for environmental purposes only and form no part of the claimed design.

(56) **References Cited**

U.S. PATENT DOCUMENTS

- 1,669,055 A * 5/1928 Hogg B63B 22/16
185/30
- 2,366,929 A 1/1945 Pfeil
- 2,765,481 A * 10/1956 Manhart B63B 51/04
362/158
- 3,818,208 A * 6/1974 Kahl A47G 19/2227
340/331
- 4,464,129 A * 8/1984 Vancheri B63B 45/02
116/107

1 Claim, 12 Drawing Sheets



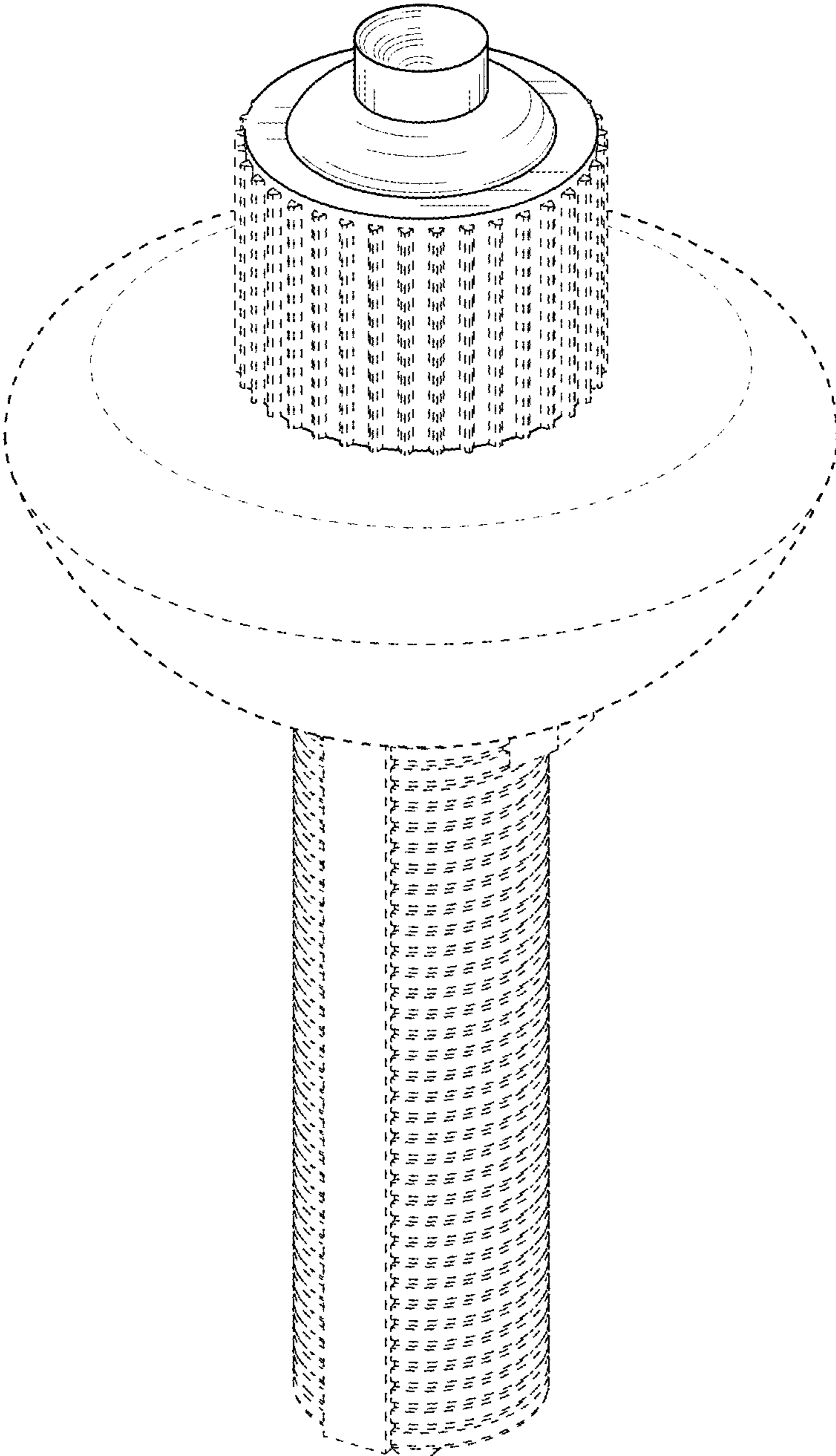


FIG. 1

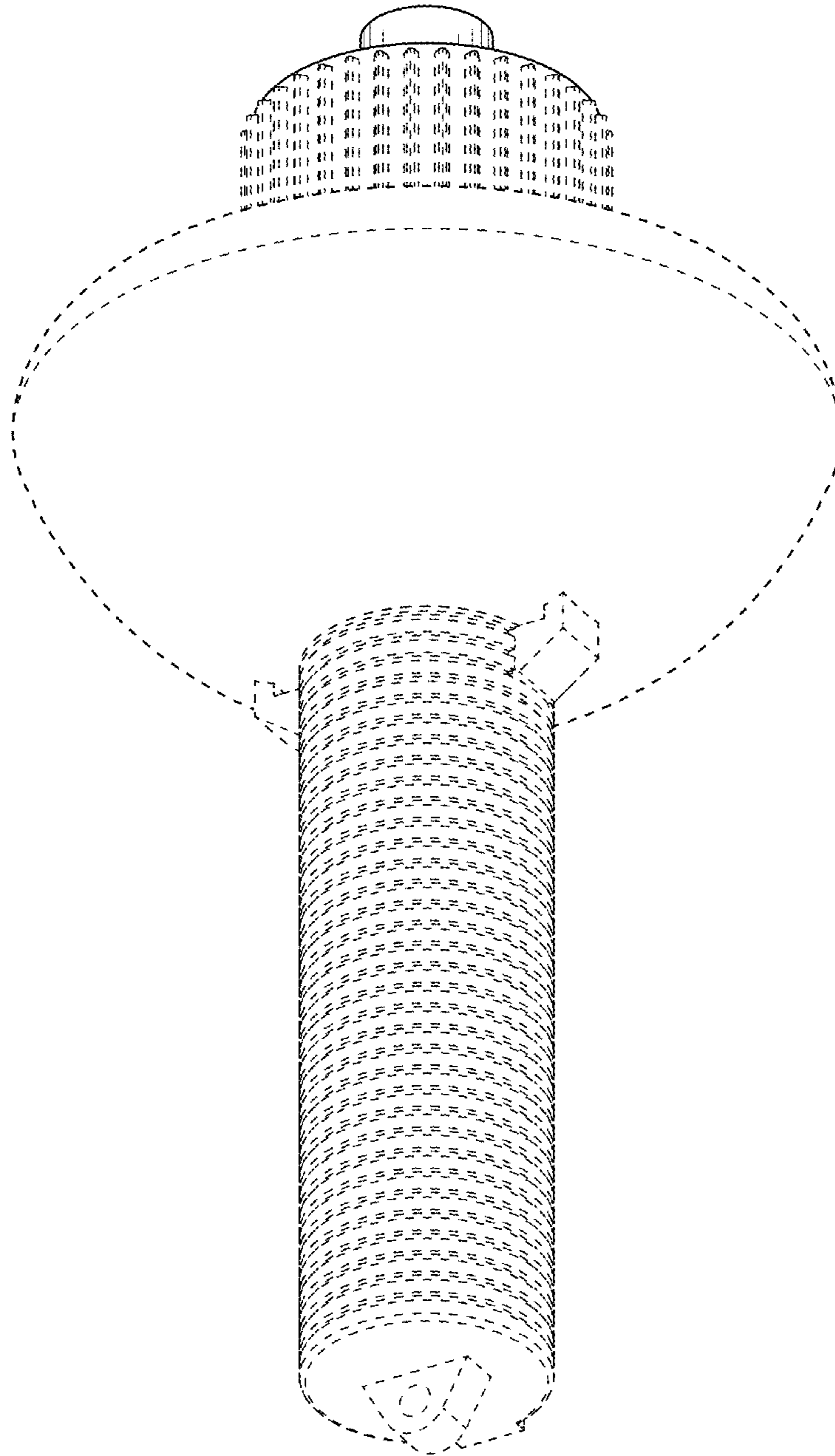


FIG. 2

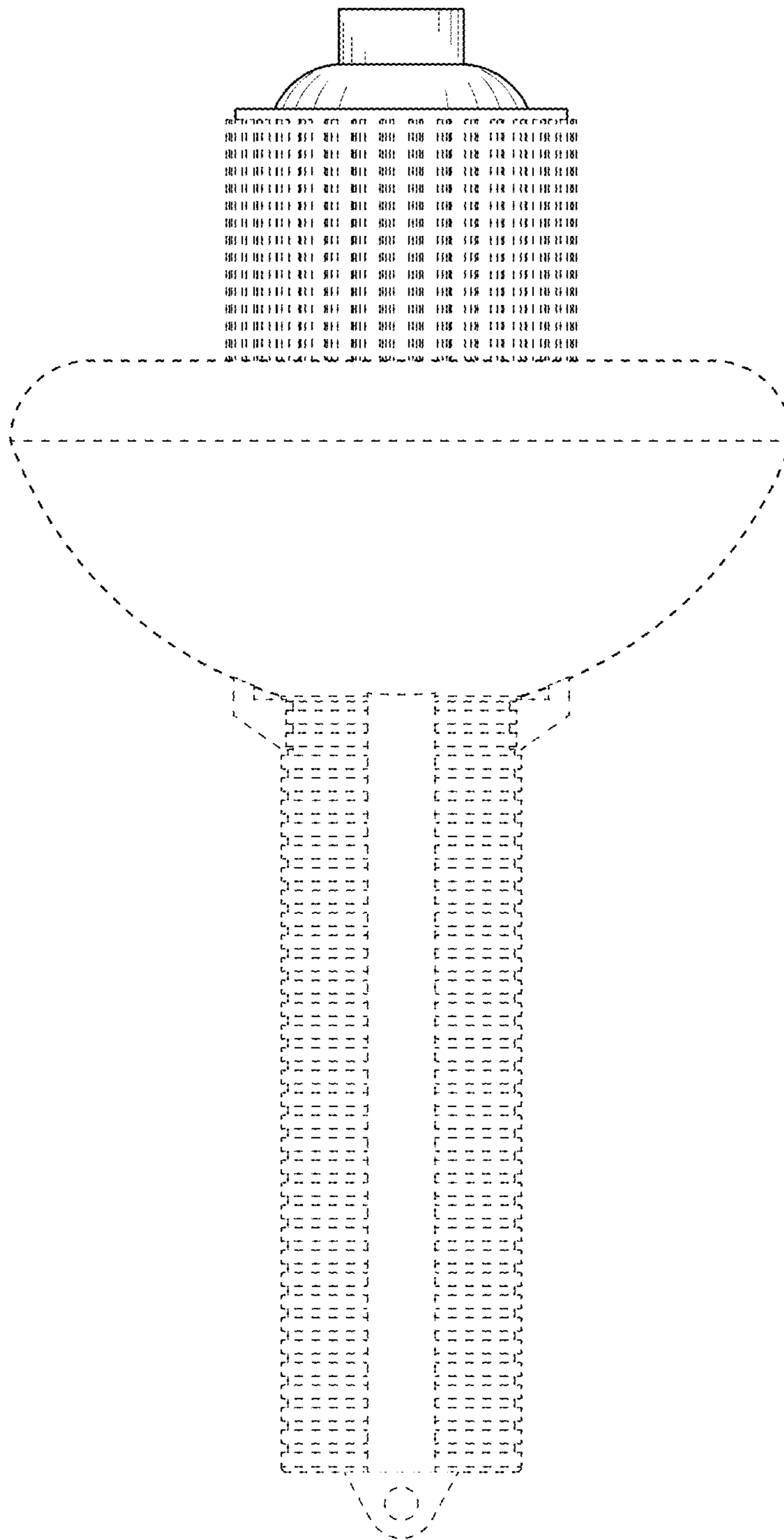


FIG. 3

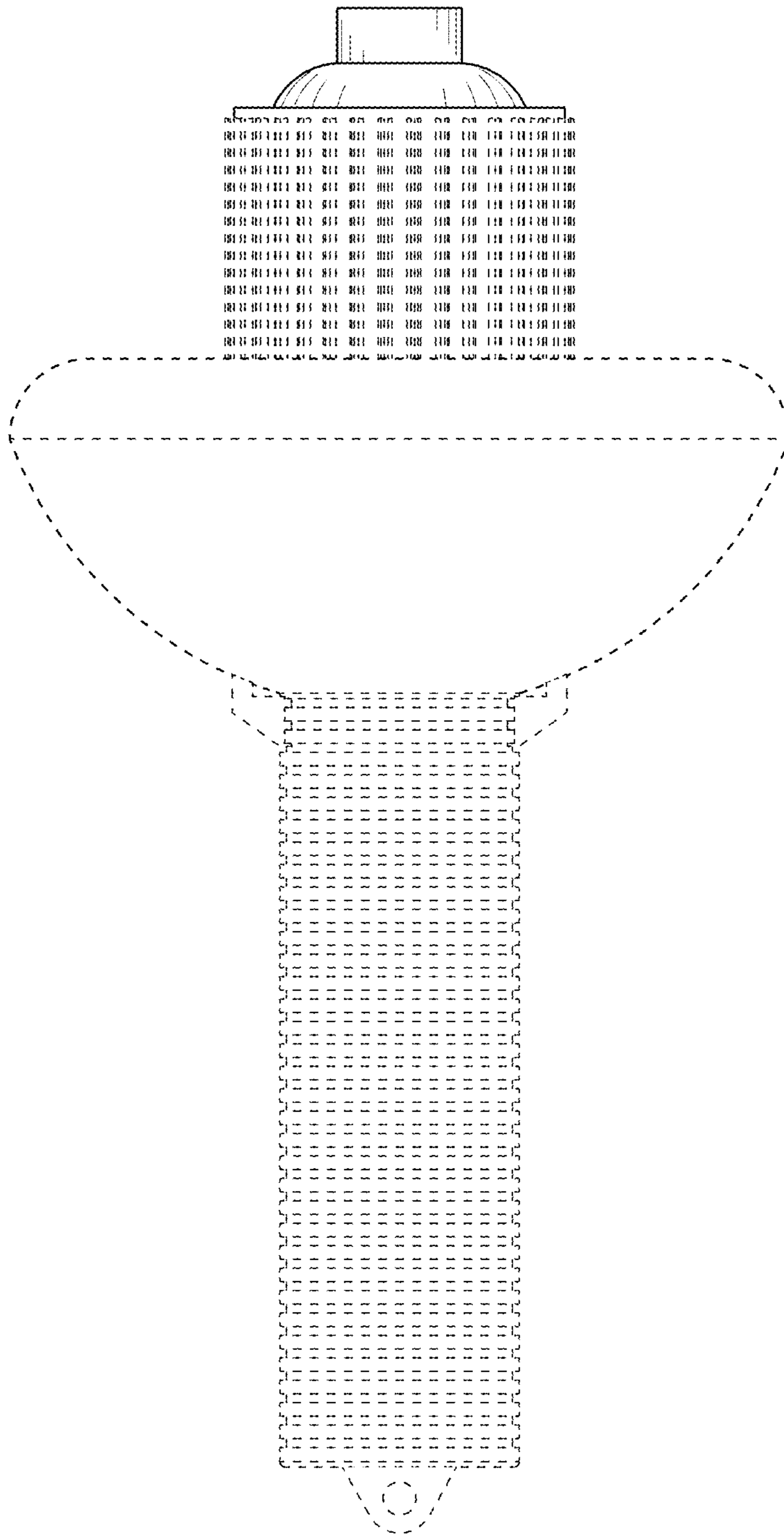


FIG. 4

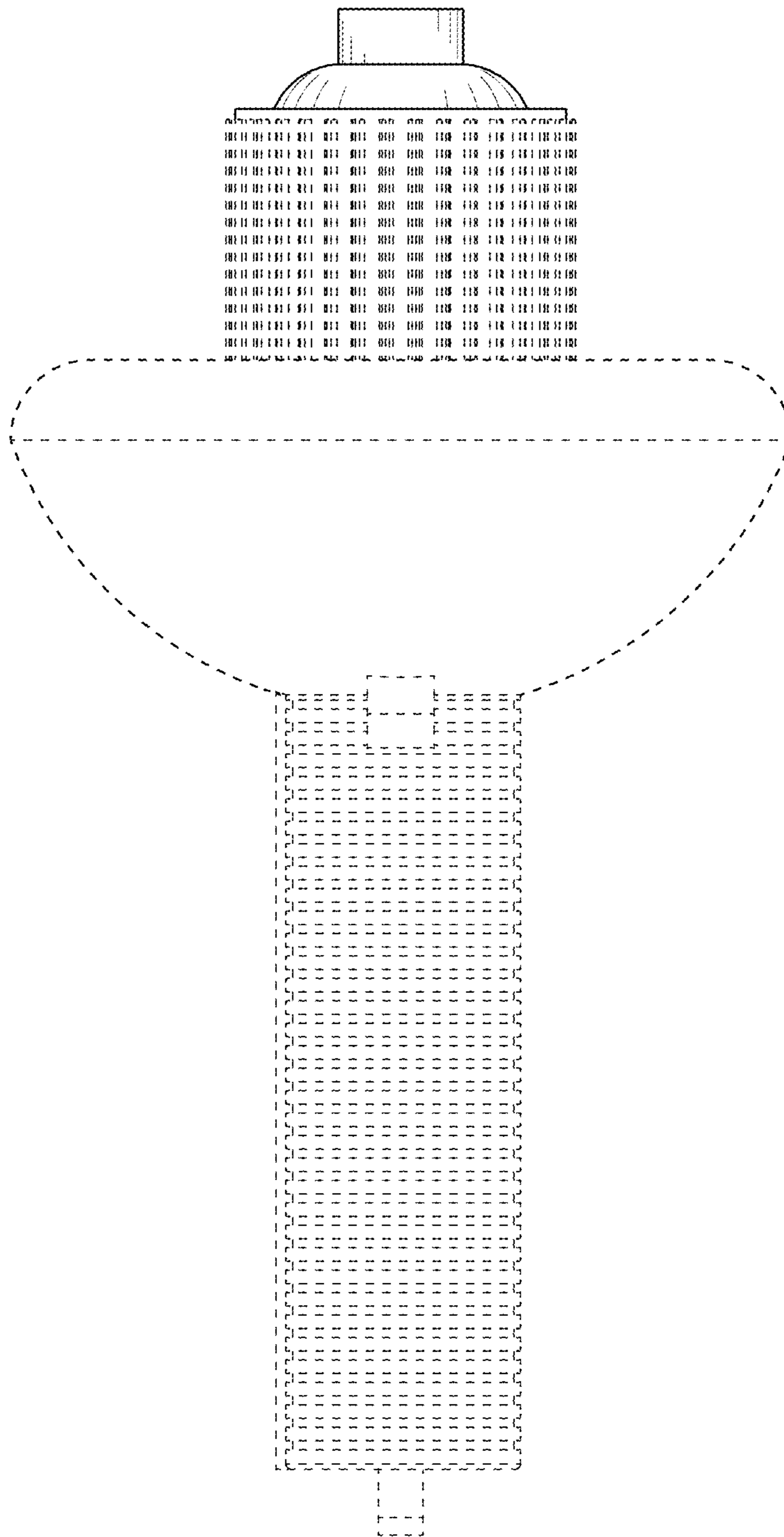


FIG. 5

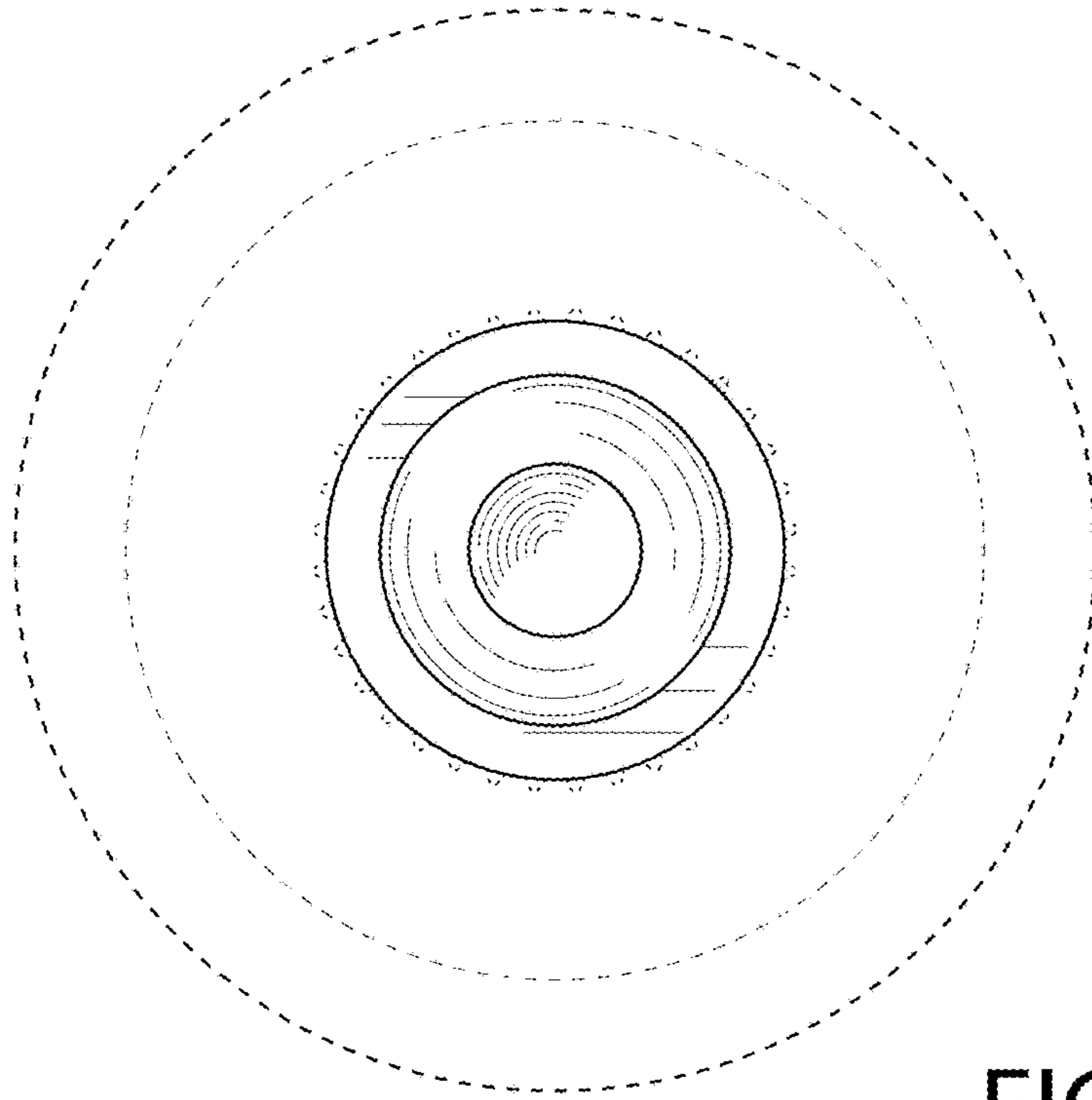


FIG. 6

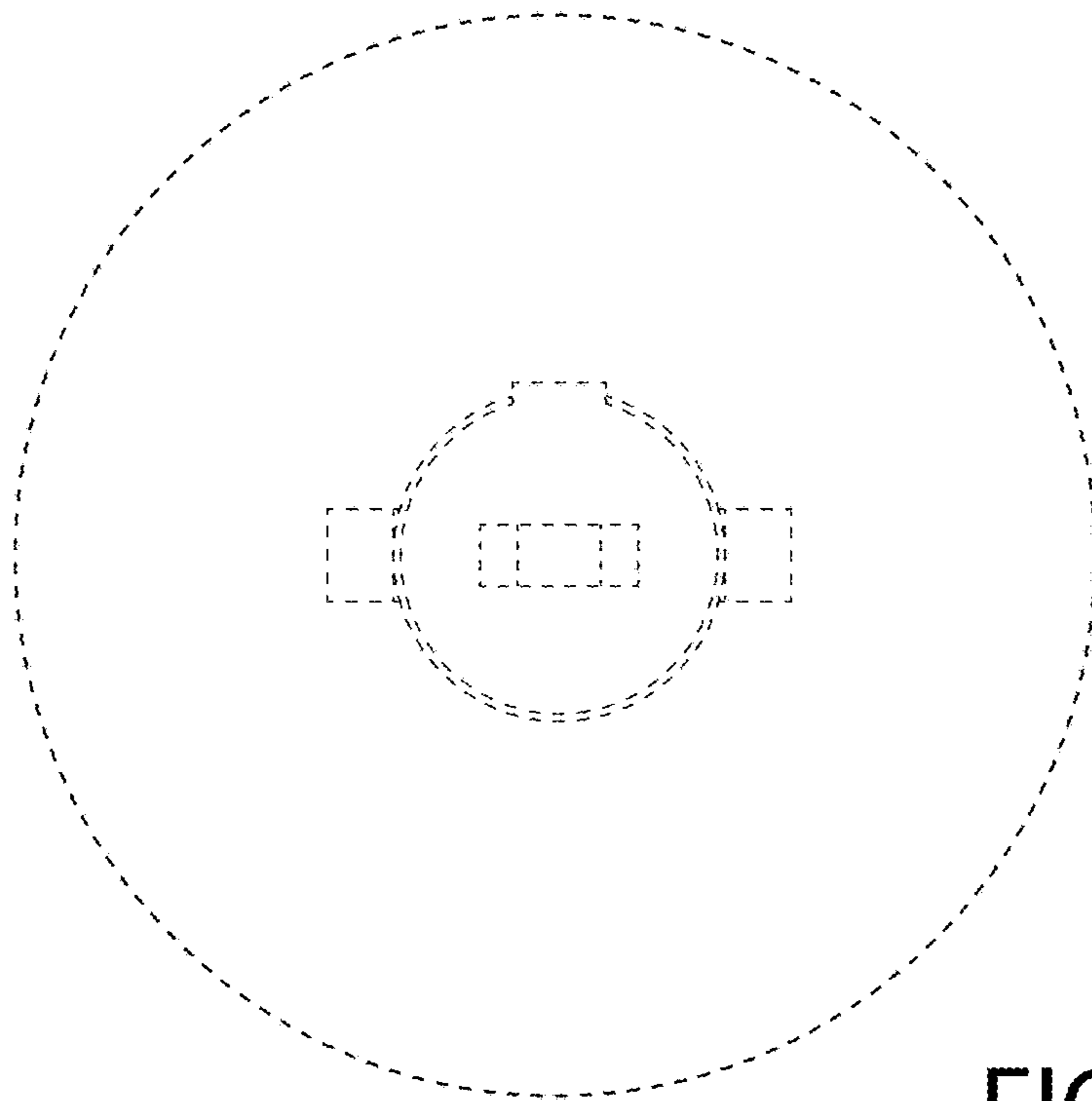


FIG. 7

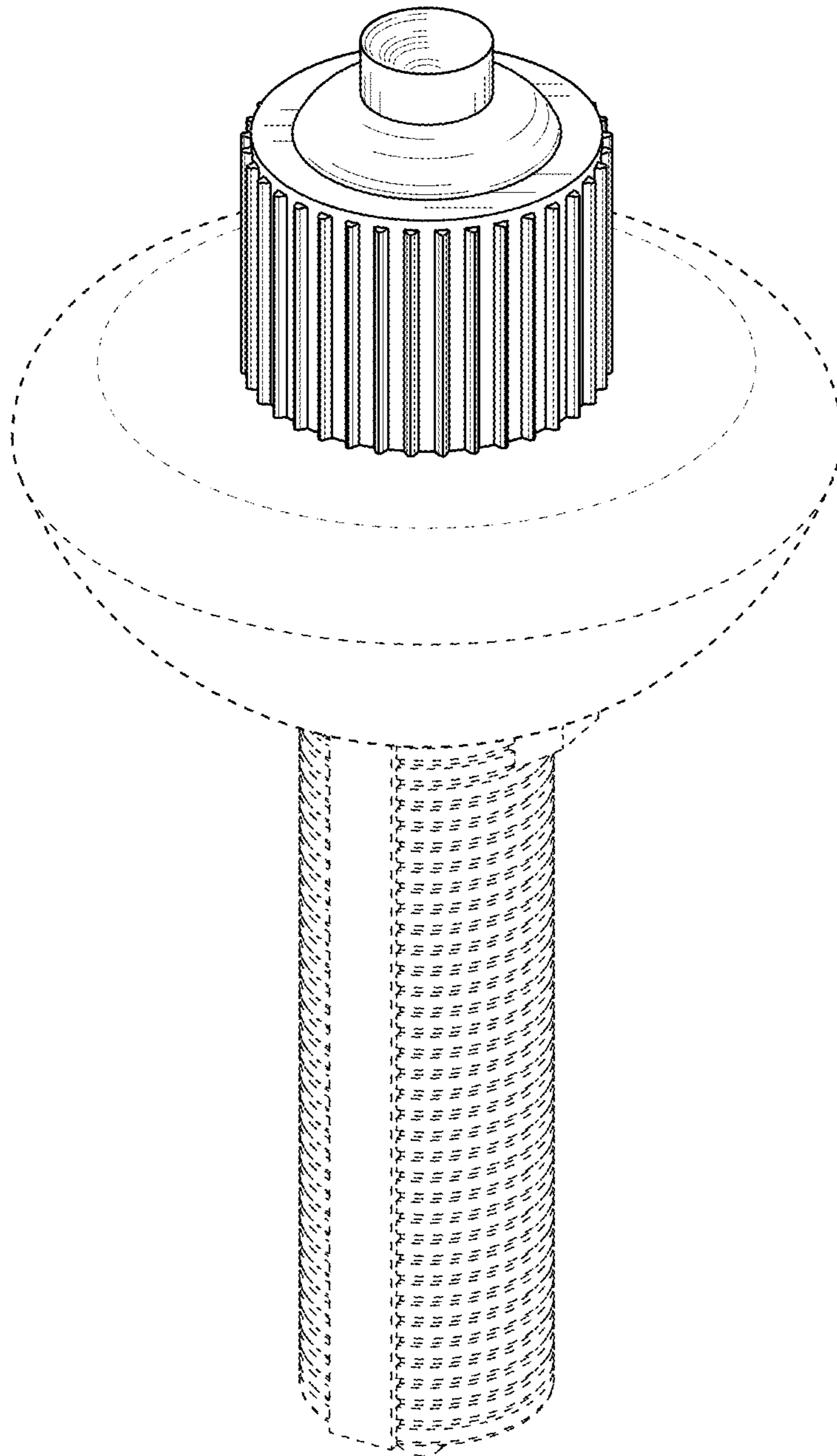


FIG. 8

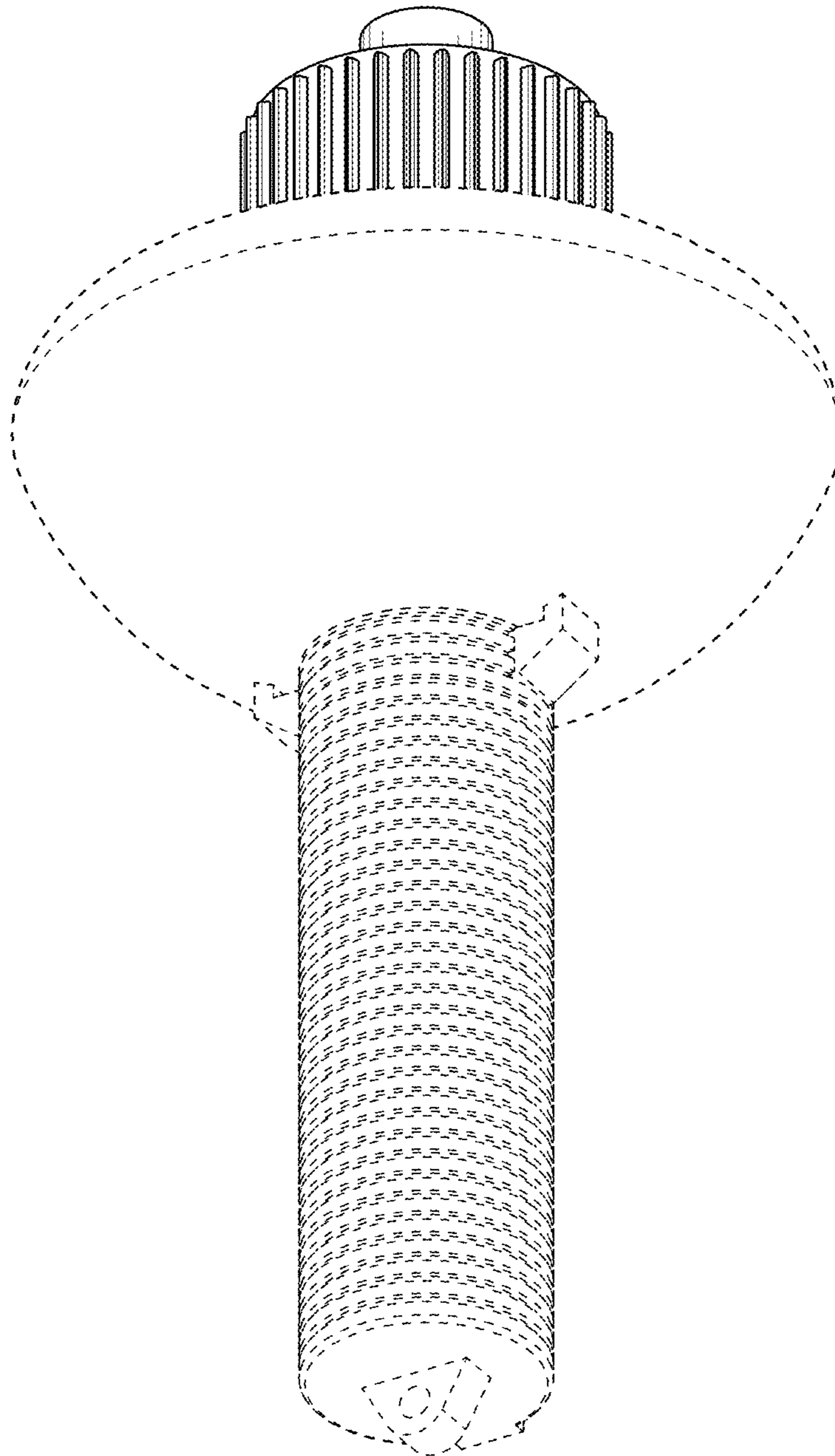


FIG. 9

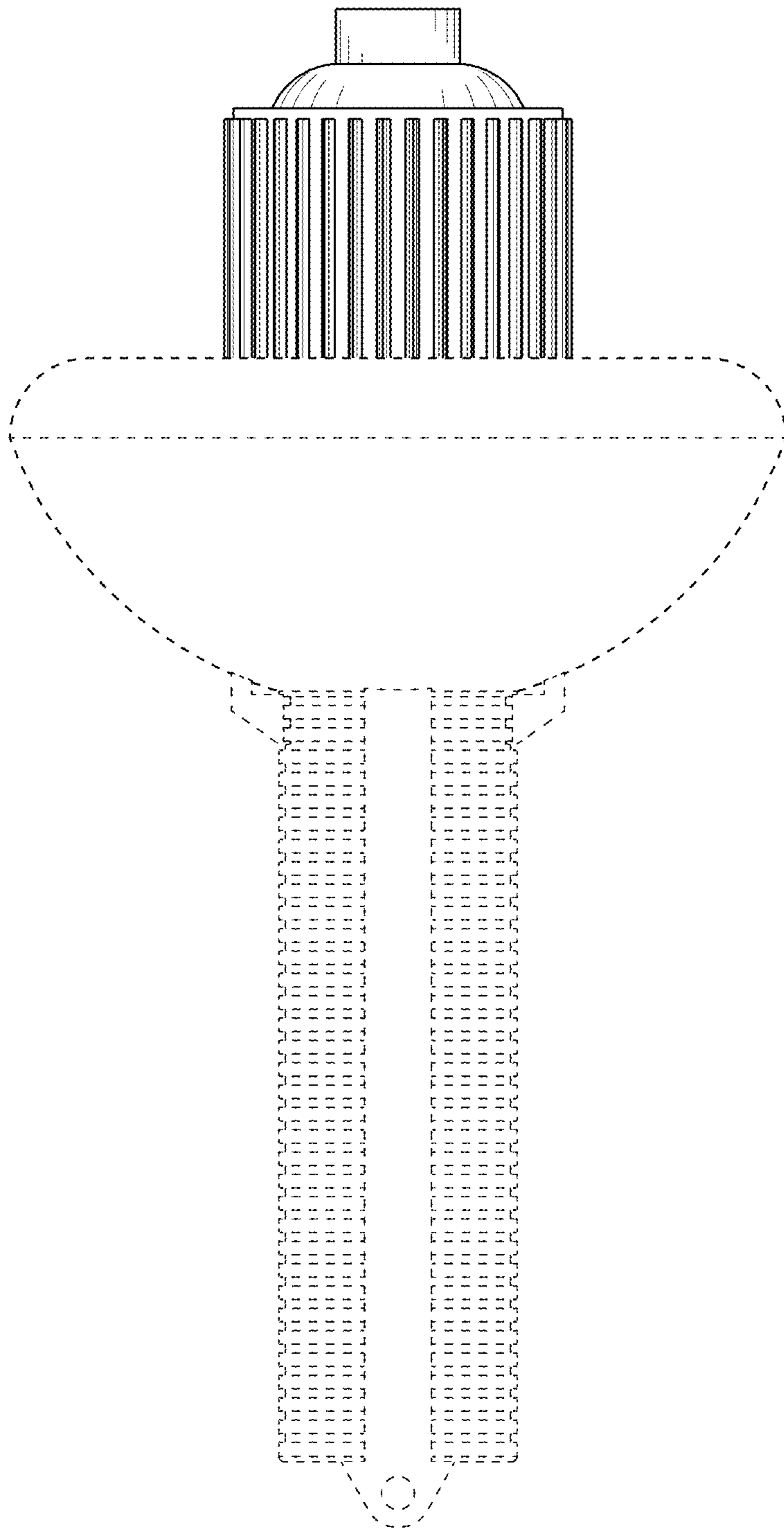


FIG. 10

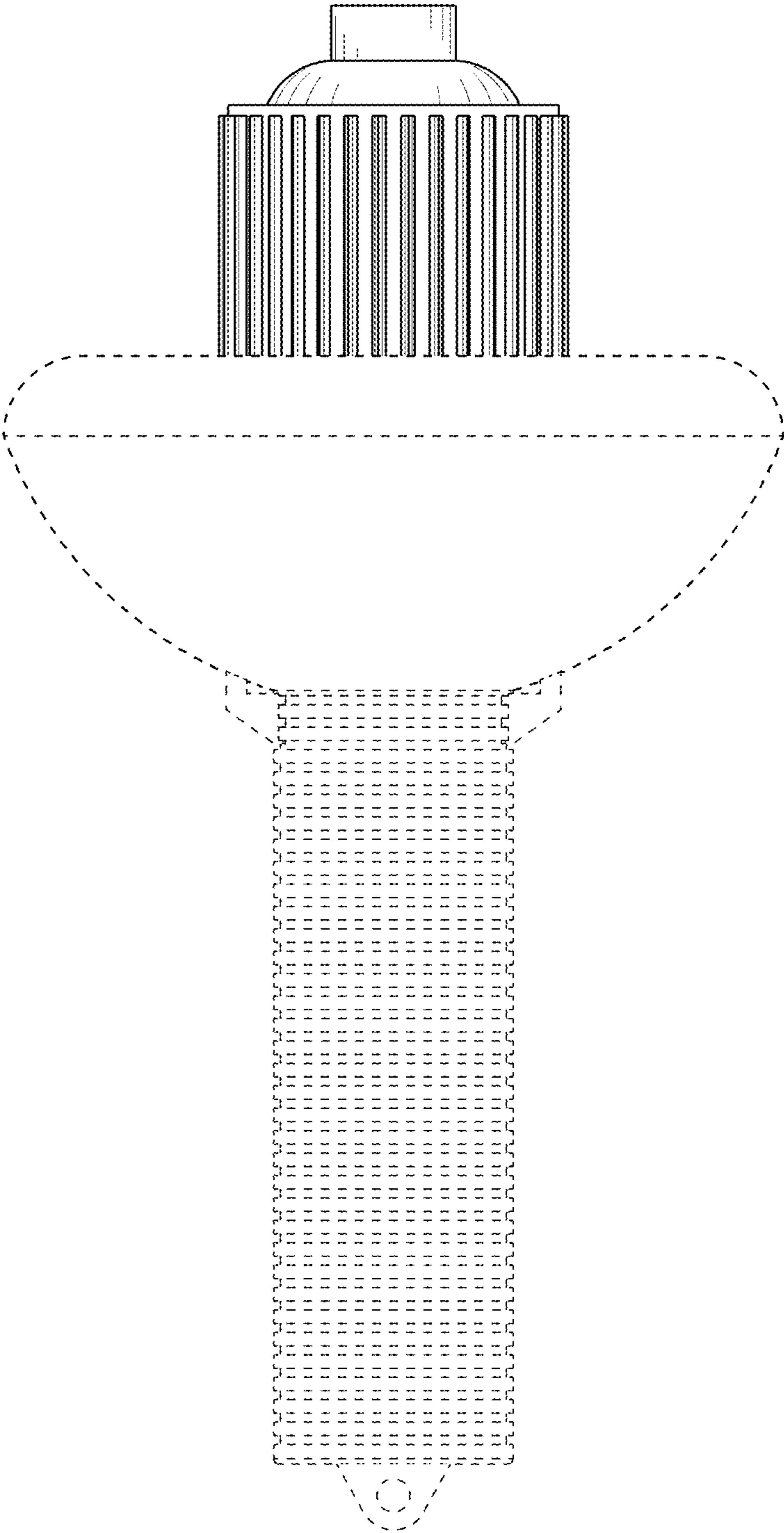


FIG. 11

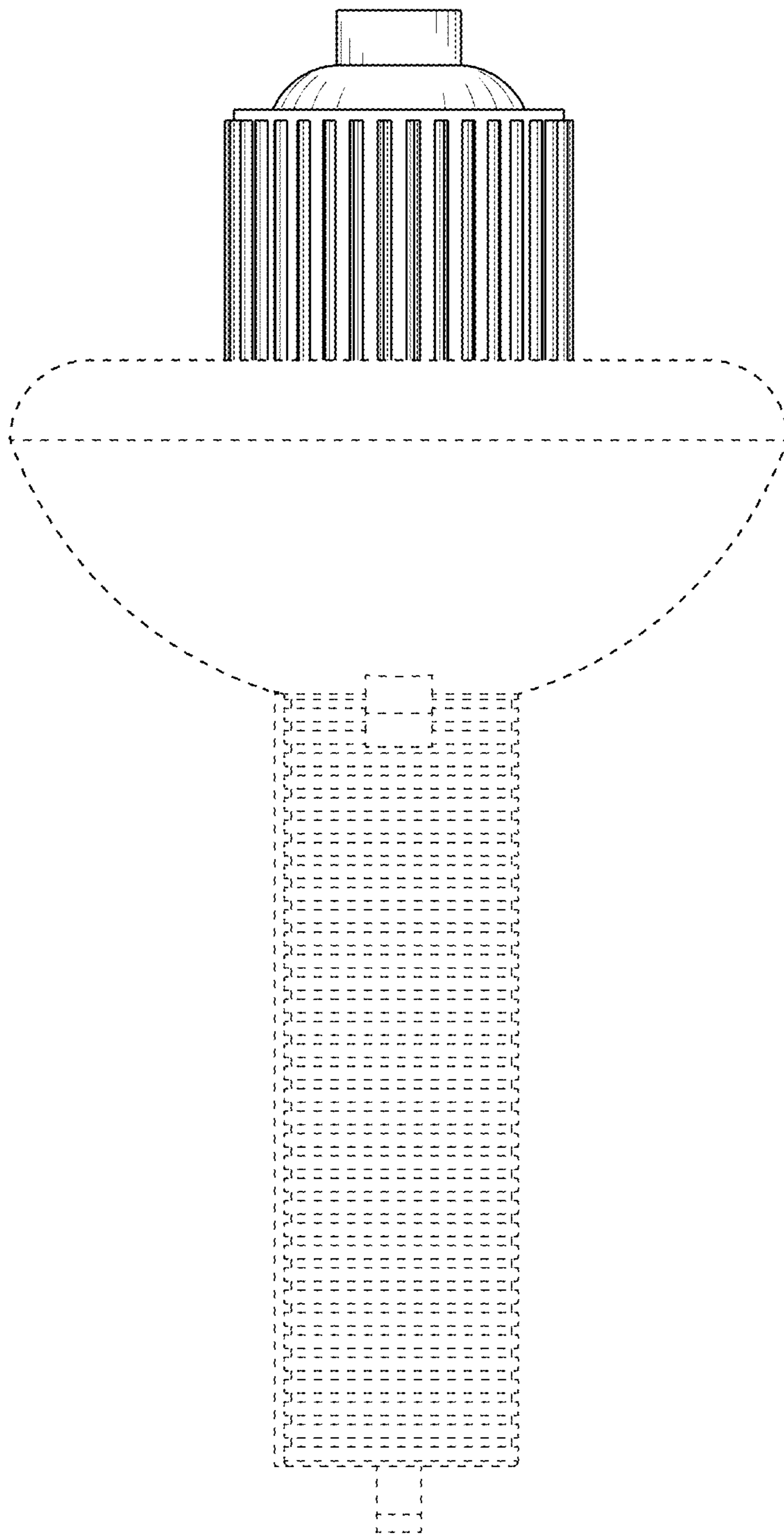


FIG. 12

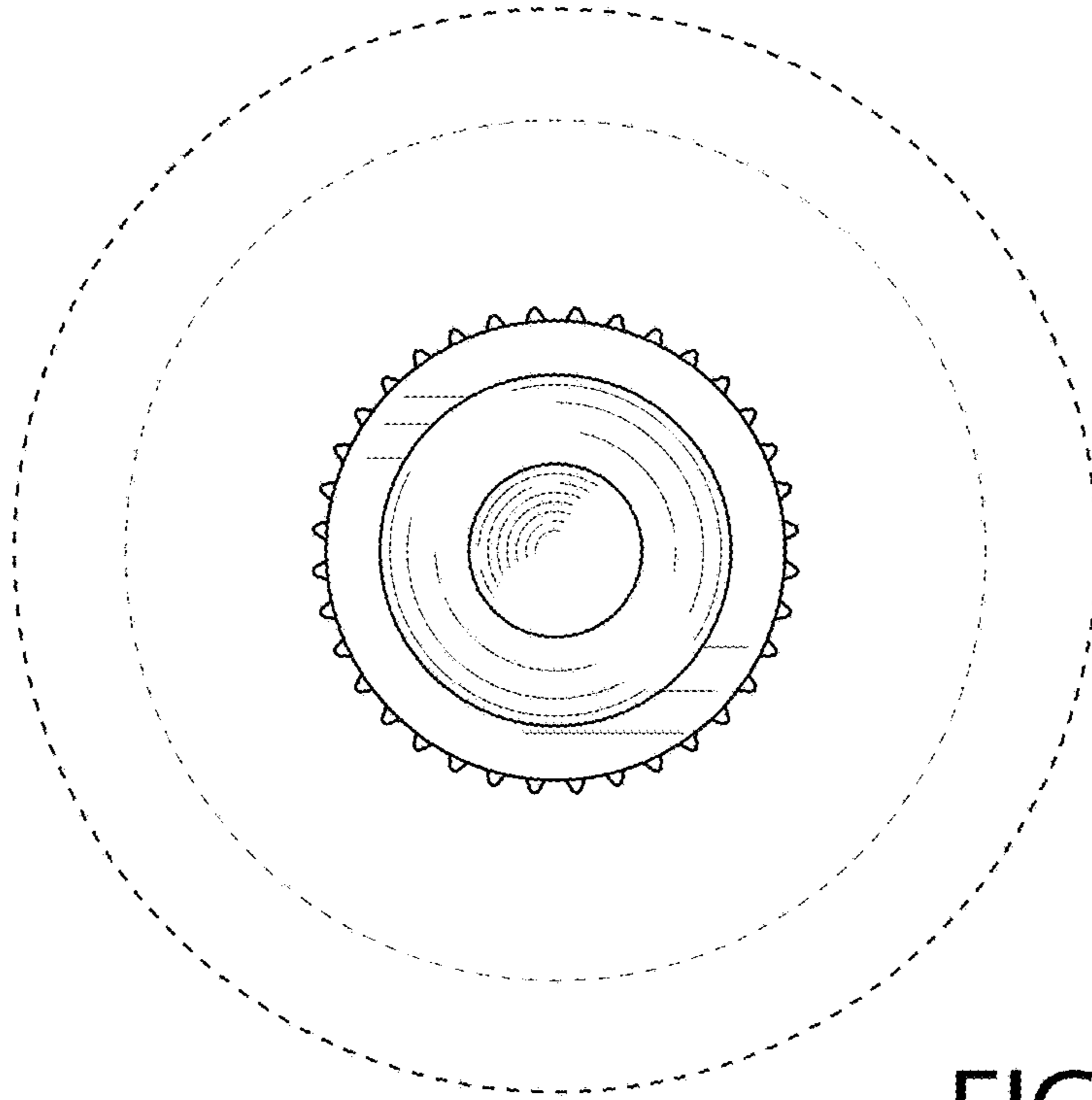


FIG. 13

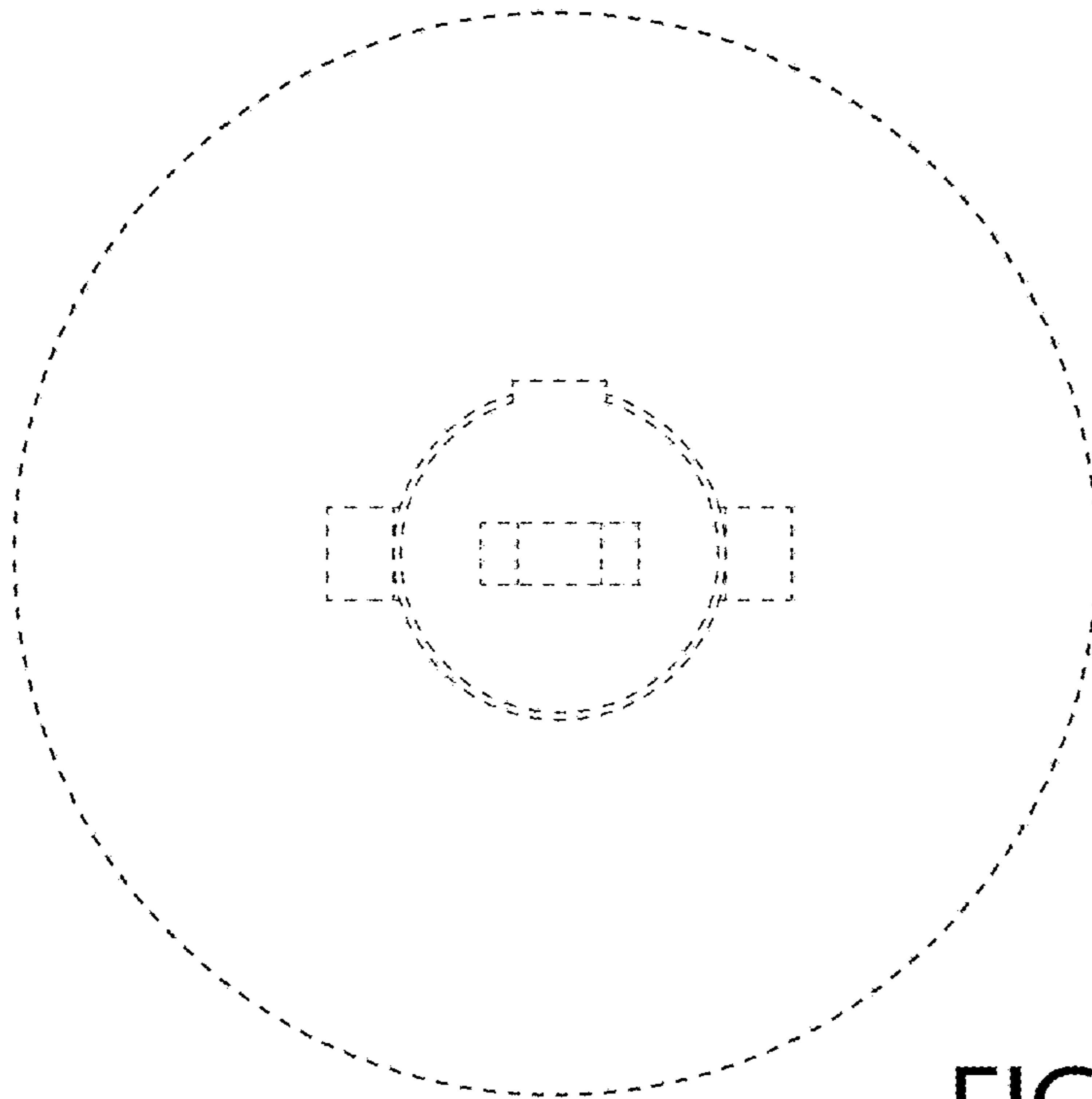


FIG. 14