



US00D811918S

(12) **United States Design Patent**  
**Kalyan**

(10) **Patent No.:** **US D811,918 S**  
(45) **Date of Patent:** **\*\* Mar. 6, 2018**

- (54) **SMOKE DETECTOR COVER**
- (71) Applicant: **Honeywell International Inc.**,  
Morristown, NJ (US)
- (72) Inventor: **Vivek Kalyan**, Bangalore (IN)
- (73) Assignee: **HONEYWELL INTERNATIONAL INC.**,  
Morristown, NJ (US)
- (\*\*) Term: **15 Years**
- (21) Appl. No.: **29/589,683**
- (22) Filed: **Jan. 4, 2017**
- (51) **LOC (11) Cl.** ..... **10-05**
- (52) **U.S. Cl.**  
USPC ..... **D10/106.5**
- (58) **Field of Classification Search**  
USPC ..... D10/104.1, 106.1, 106.2, 106.3, 106.5  
CPC ..... G08B 17/00; G08B 17/06; G08B  
17/10-17/12; G08B 17/103; G08B 17/107  
See application file for complete search history.

(56) **References Cited**

U.S. PATENT DOCUMENTS

|               |         |          |                        |
|---------------|---------|----------|------------------------|
| D308,836 S *  | 6/1990  | Fenne    | D10/106.5              |
| D339,756 S *  | 9/1993  | Igarashi | D10/106.5              |
| D339,998 S *  | 10/1993 | Igarashi | D10/106.5              |
| D340,201 S *  | 10/1993 | Fenne    | D10/106.5              |
| D355,862 S *  | 2/1995  | Tice     | D10/106.5              |
| D360,373 S *  | 7/1995  | Tice     | D10/106.5              |
| 5,486,816 A * | 1/1996  | Ariga    | G08B 17/107<br>250/574 |
| D377,321 S *  | 1/1997  | Tomizawa | D10/106.5              |
| D391,185 S *  | 2/1998  | Tomizawa | D10/106.5              |
| D435,800 S *  | 1/2001  | Higashi  | D10/106.5              |
| D446,741 S *  | 8/2001  | Johnson  | D10/106.5              |

|                   |        |           |                      |
|-------------------|--------|-----------|----------------------|
| D476,252 S *      | 6/2003 | Runciman  | D10/106.5            |
| D485,200 S *      | 1/2004 | Berthold  | D10/106.5            |
| D505,632 S *      | 5/2005 | Johnson   | D10/106.5            |
| D622,170 S *      | 8/2010 | Cargile   | D10/106.5            |
| D651,926 S *      | 1/2012 | Akiyama   | D10/106.5            |
| D664,875 S *      | 8/2012 | Sun       | D10/106.5            |
| D665,288 S *      | 8/2012 | Sun       | D10/106.5            |
| D675,948 S *      | 2/2013 | Kawaguchi | D10/106.5            |
| 2015/0030375 A1 * | 1/2015 | Kawaguchi | G01D 11/30<br>403/19 |
| 2016/0240059 A1 * | 8/2016 | Stowell   | G08B 17/10           |

\* cited by examiner

*Primary Examiner* — George D. Kirschbaum  
*Assistant Examiner* — Joseph J Kukella  
(74) *Attorney, Agent, or Firm* — Husch Blackwell LLP

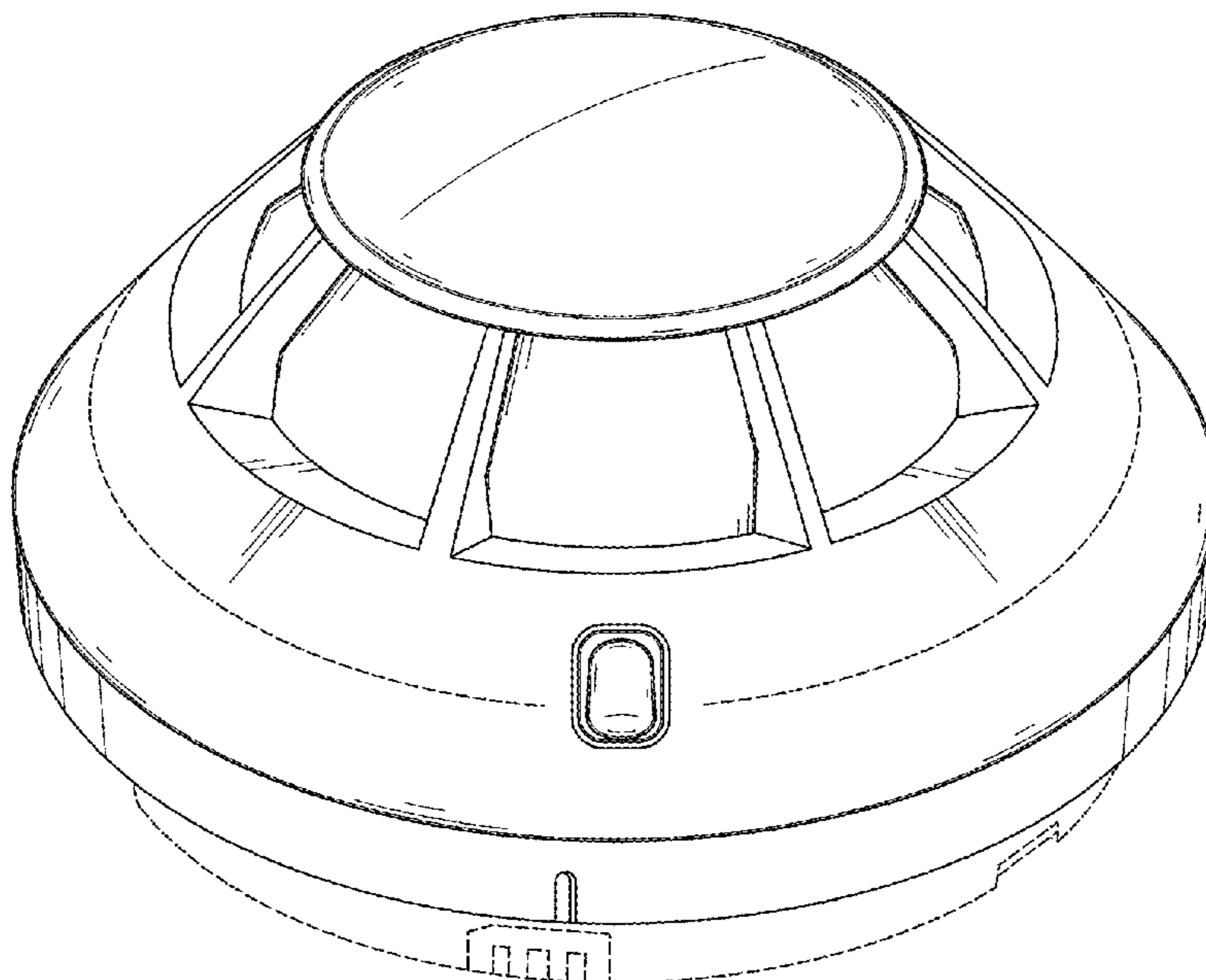
(57) **CLAIM**

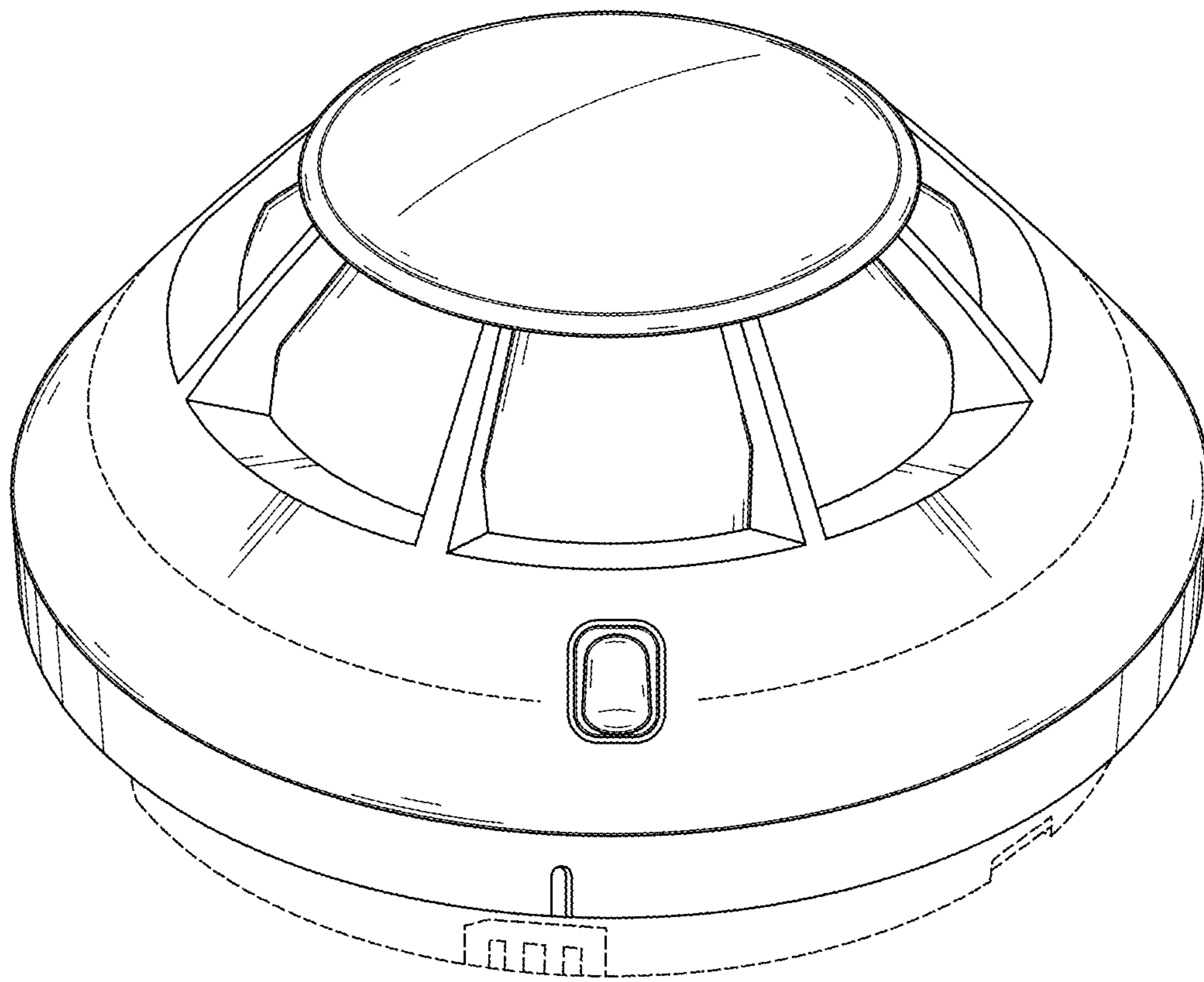
The ornamental design for a smoke detector cover, as shown and described.

**DESCRIPTION**

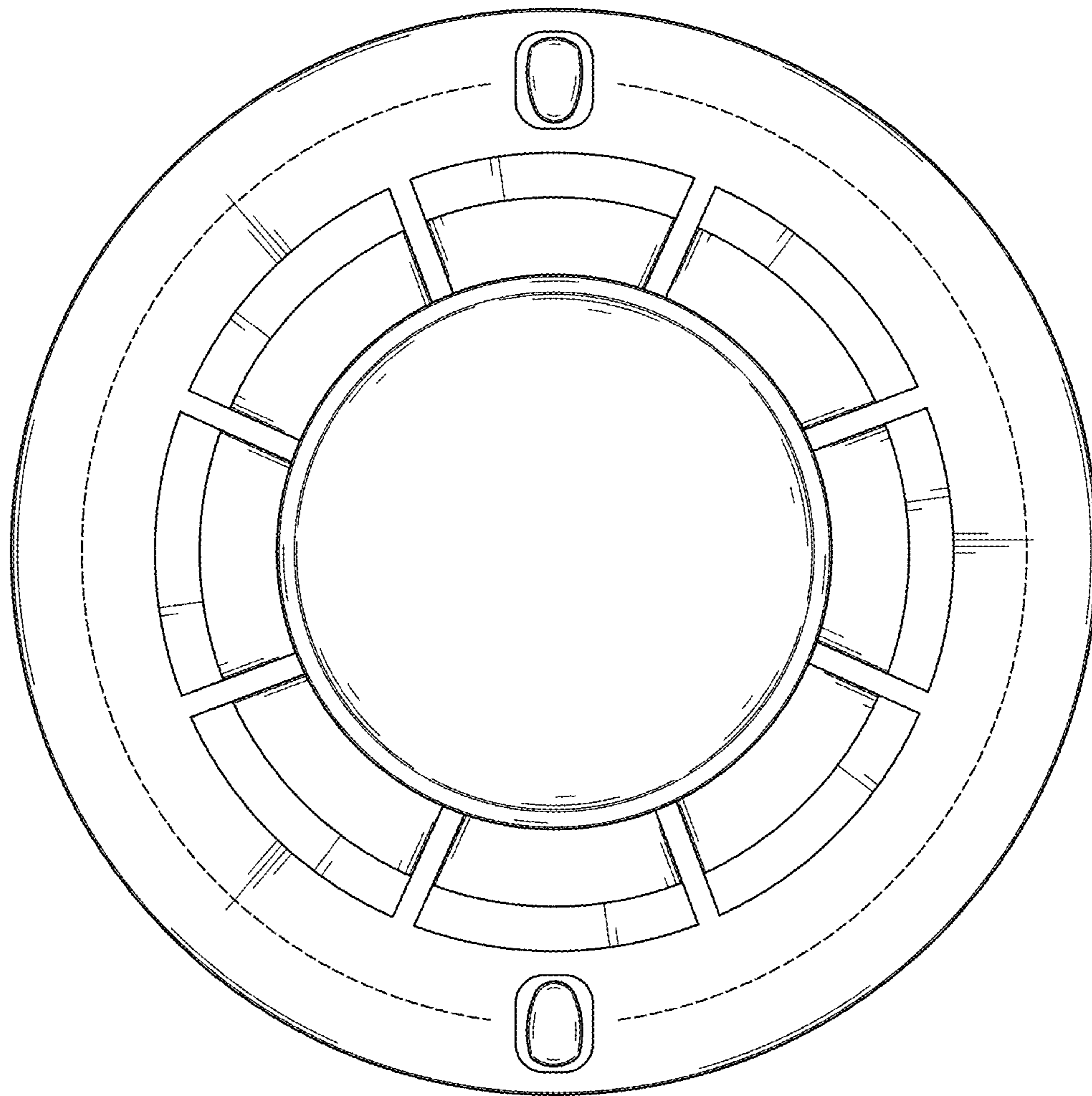
FIG. 1 is a perspective view of the smoke detector cover. FIG. 2 is a front elevation view thereof. FIG. 3 is a first side elevation view thereof, the opposing side of the smoke detector cover being a mirror image thereof; and, FIG. 4 is a second side elevation view of the smoke detector cover rotated ninety degrees from the view shown in FIG. 3, the opposing side of the smoke detector cover shown in FIG. 4 being a mirror image thereof. The rear view of the smoke detector cover illustrated in FIGS. 1-4 forms no part of the claimed design. In the drawings, the broken lines depict environmental subject matter only and form no part of the claimed design.

**1 Claim, 3 Drawing Sheets**

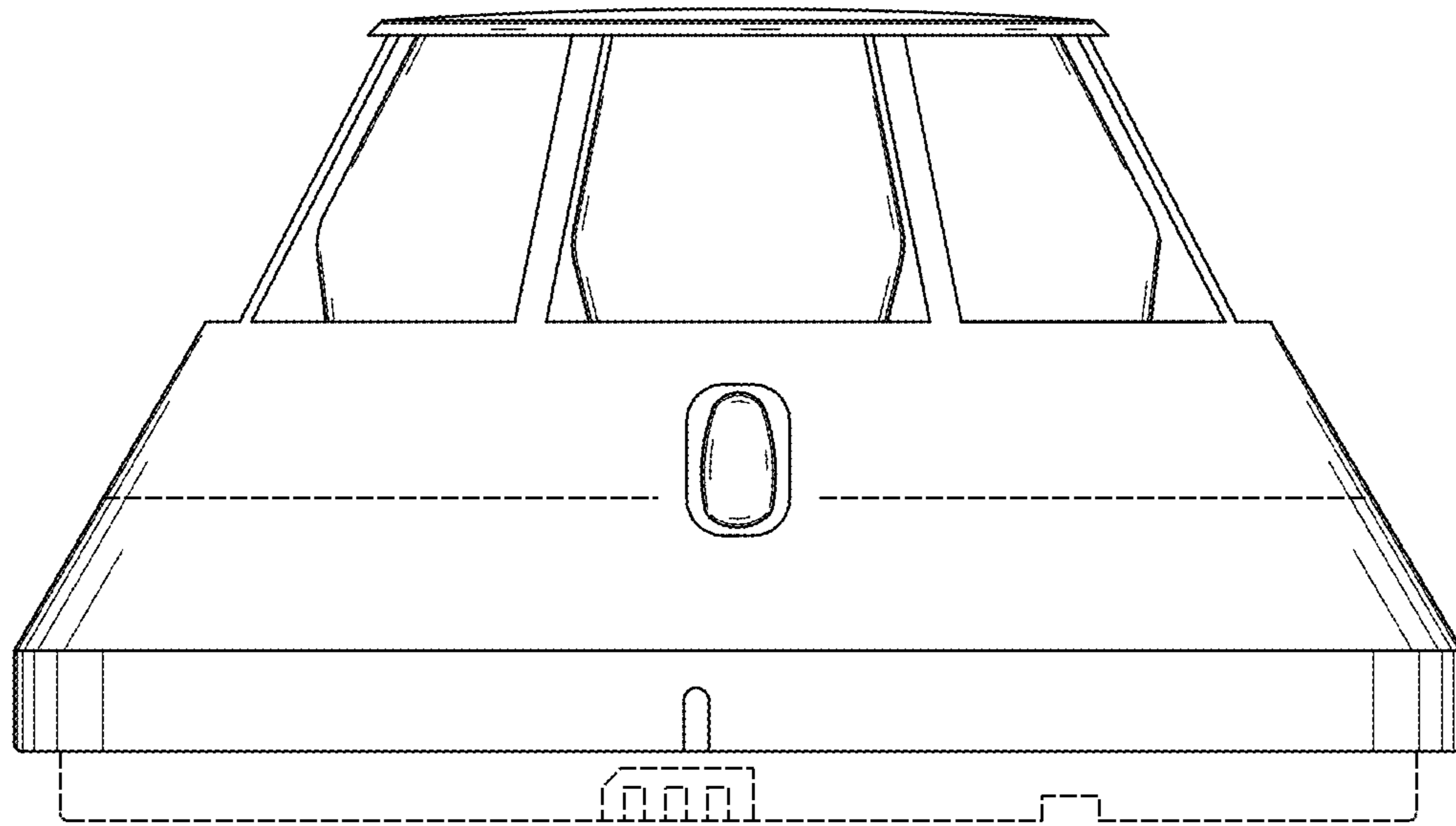




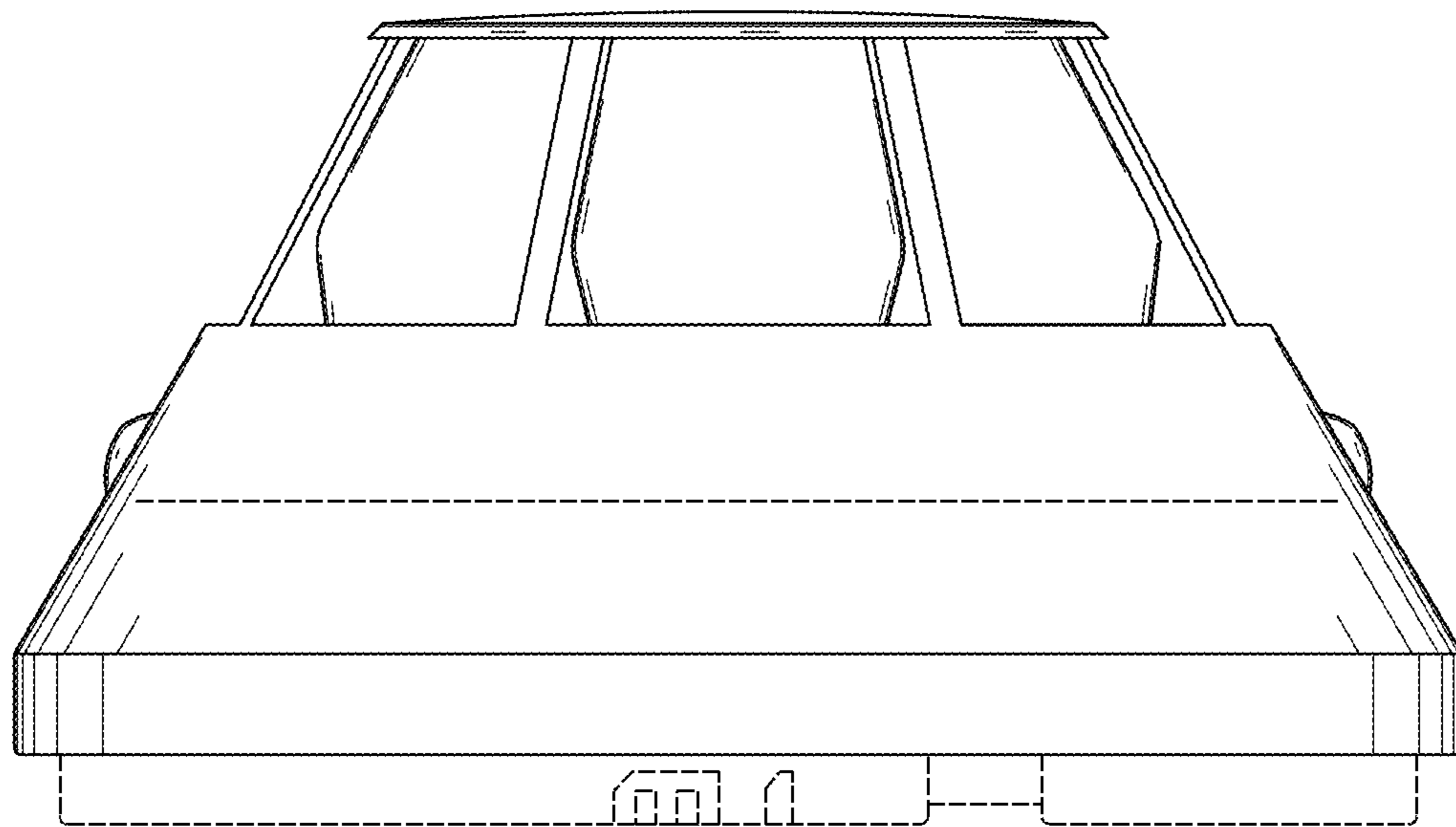
*FIG. 1*



*FIG. 2*



*FIG. 3*



*FIG. 4*