



US00D811917S

(12) **United States Design Patent**
Kalyan et al.

(10) **Patent No.:** **US D811,917 S**
(45) **Date of Patent:** **** Mar. 6, 2018**

(54) **SMOKE DETECTOR COVER**
(71) Applicant: **Honeywell International Inc.,**
Morristown, NJ (US)
(72) Inventors: **Vivek Kalyan, Bangalore (IN);**
Shivanand Bhat, Bangalore (IN);
Raghavendra Bhakthavastala Doddi,
Bangalore (IN)
(73) Assignee: **HONEYWELL INTERNATIONAL**
INC., Morristown, NJ (US)

D391,185 S * 2/1998 Tomizawa D10/106.5
D435,800 S * 1/2001 Higashi D10/106.5
D446,741 S * 8/2001 Johnson D10/106.5
D476,252 S * 6/2003 Runciman D10/106.5
D485,200 S * 1/2004 Berthold D10/106.5
D505,632 S * 5/2005 Johnson D10/106.5
D622,170 S * 8/2010 Cargile D10/106.5
D651,926 S * 1/2012 Akiyama D10/106.5
D664,875 S * 8/2012 Sun D10/106.5
D665,288 S * 8/2012 Sun D10/106.5
D675,948 S * 2/2013 Kawaguchi D10/106.5
2015/0030375 A1 * 1/2015 Kawaguchi G01D 11/30
403/19
2016/0240059 A1 * 8/2016 Stowell G08B 17/10

(**) Term: **15 Years**

* cited by examiner

(21) Appl. No.: **29/589,675**

Primary Examiner — George D. Kirschbaum

(22) Filed: **Jan. 4, 2017**

Assistant Examiner — Joseph J Kukella

(51) **LOC (11) Cl.** **10-05**

(74) *Attorney, Agent, or Firm* — Husch Blackwell LLP

(52) **U.S. Cl.**
USPC **D10/106.5**

(57) **CLAIM**

(58) **Field of Classification Search**
USPC D10/104.1, 106.1, 106.2, 106.3, 106.5
CPC G08B 17/00; G08B 17/06; G08B
17/10–17/12; G08B 17/103; G08B 17/107
See application file for complete search history.

The ornamental design for a smoke detector cover, as shown and described.

DESCRIPTION

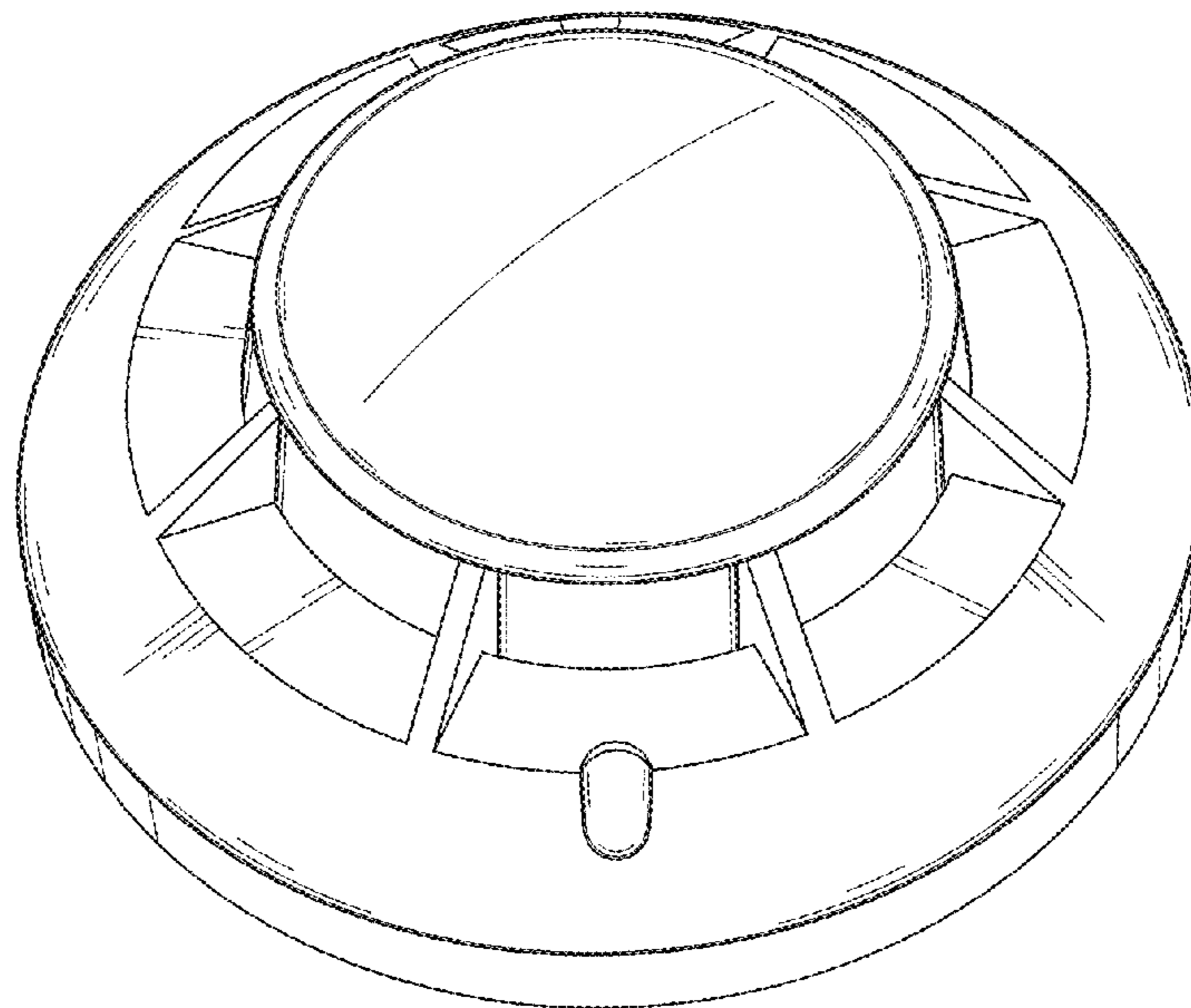
(56) **References Cited**

FIG. 1 is a perspective view of the smoke detector cover. FIG. 2 is a front elevation view thereof. FIG. 3 is a first side elevation view thereof, the opposing side of the smoke detector cover being a mirror image thereof; and, FIG. 4 is a second side elevation view of the smoke detector cover rotated ninety degrees from the view shown in FIG. 3, the opposing side of the smoke detector cover shown in FIG. 4 being a mirror image thereof. The rear view of the smoke detector cover illustrated in FIGS. 1-4 forms no part of the claimed design.

U.S. PATENT DOCUMENTS

D308,836 S * 6/1990 Fenne D10/106.5
D339,756 S * 9/1993 Igarashi D10/106.5
D339,998 S * 10/1993 Igarashi D10/106.5
D340,201 S * 10/1993 Fenne D10/106.5
D355,862 S * 2/1995 Tice D10/106.5
D360,373 S * 7/1995 Tice D10/106.5
5,486,816 A * 1/1996 Ariga G08B 17/107
250/574
D377,321 S * 1/1997 Tomizawa D10/106.5

1 Claim, 3 Drawing Sheets



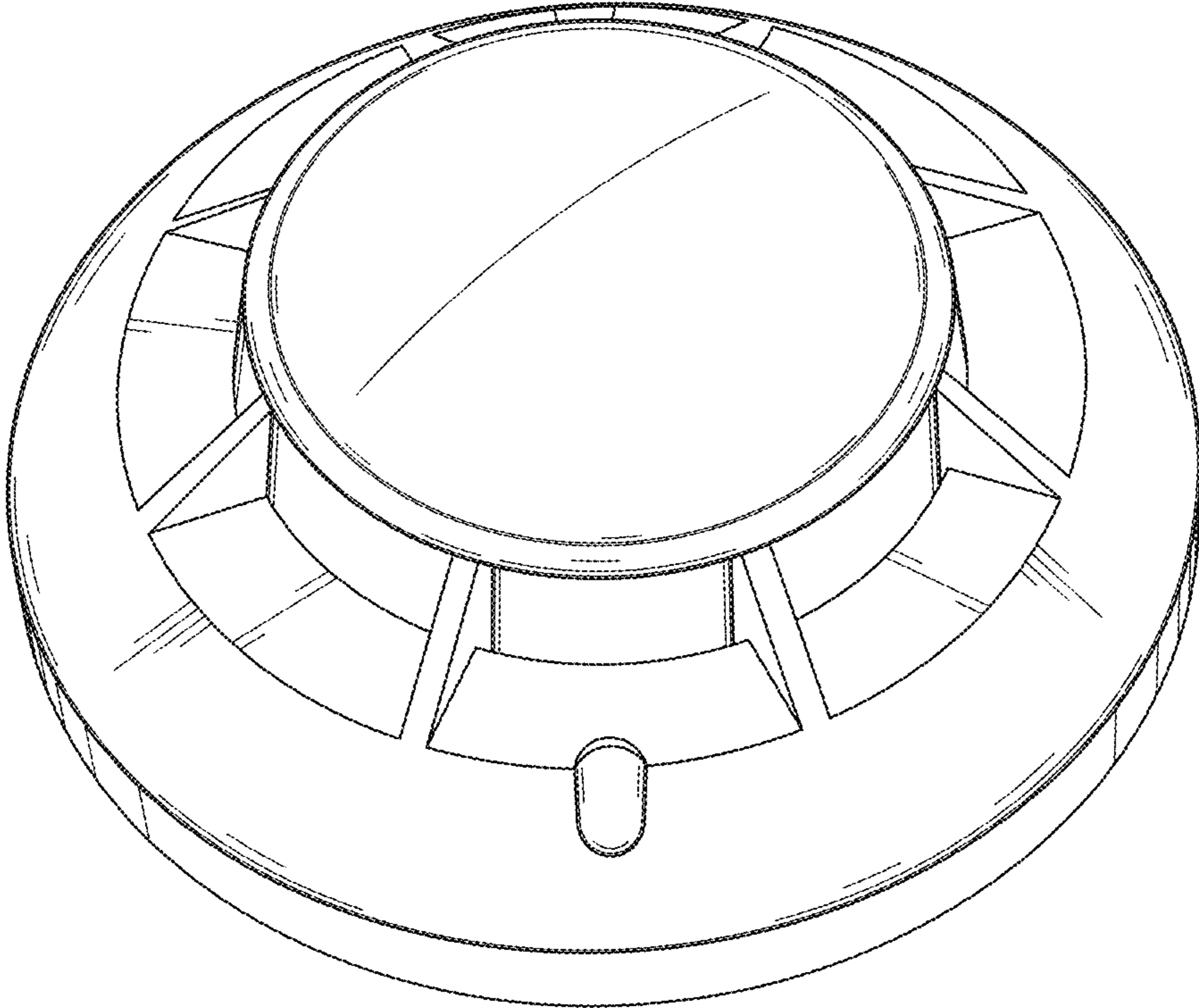


FIG. 1

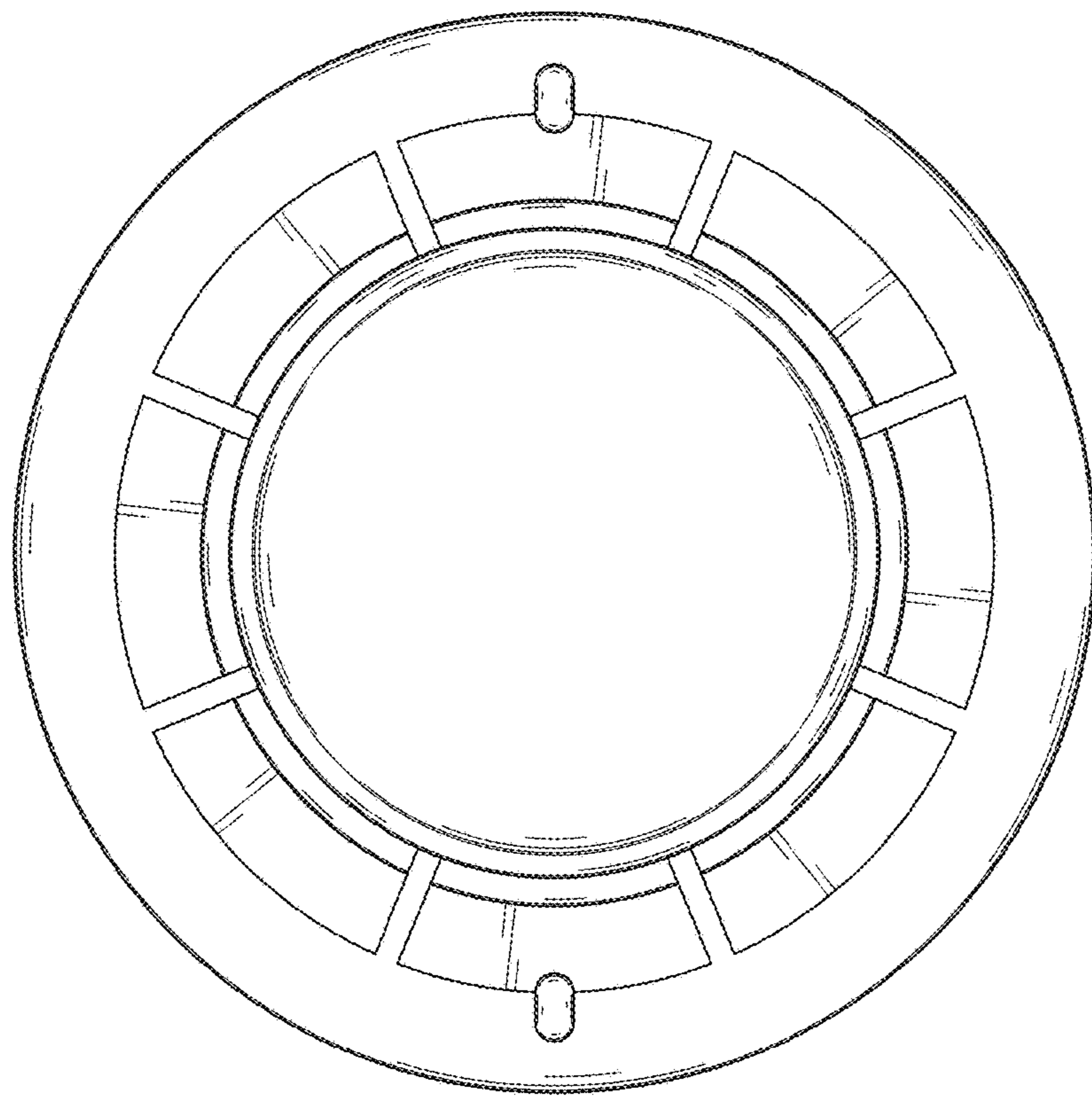


FIG. 2

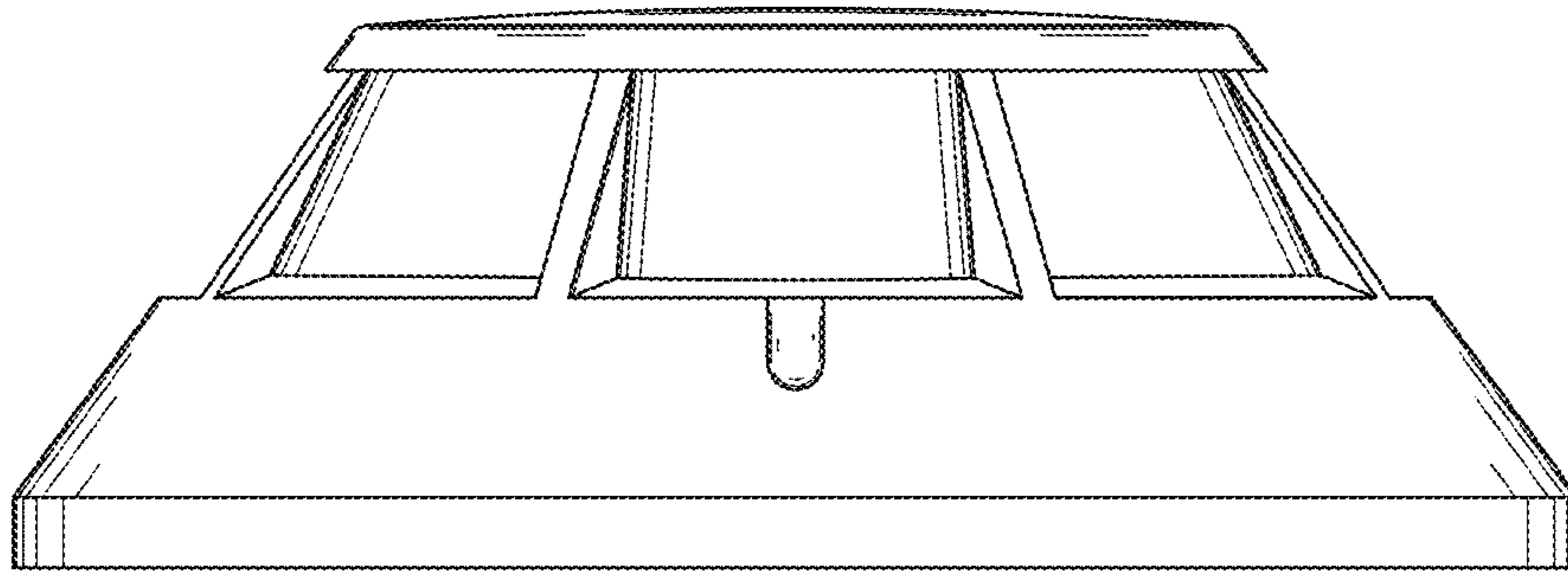


FIG. 3

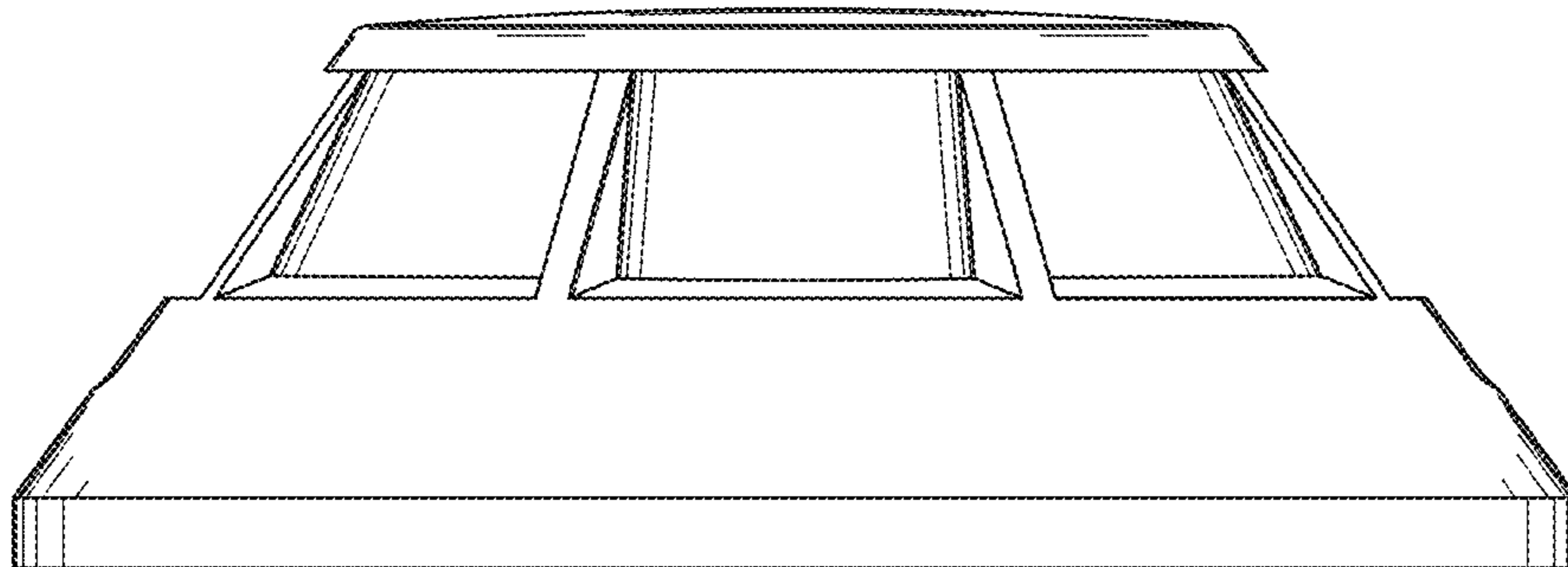


FIG. 4