



US00D811912S

(12) **United States Design Patent**
Jung

(10) **Patent No.:** **US D811,912 S**
(45) **Date of Patent:** **** Mar. 6, 2018**

(54) **PLUNGER FOR SEMICONDUCTOR
CHIP-TESTING PROBE**

G01R 31/2886; G01R 31/2887; G01R
31/2889; G01R 31/2891; H01R 2201/20

See application file for complete search history.

(71) Applicant: **QUALMAX TESTECH, INC.,**
Pyeongtaek-si (KR)

(56) **References Cited**

(72) Inventor: **Ki Young Jung,** Pyeongtaek-si (KR)

U.S. PATENT DOCUMENTS

(73) Assignee: **QUALMAX TESTECH, INC.,**
Pyeongtaek-si (KR)

5,804,984 A * 9/1998 Alcoe G01R 1/06733
324/750.16
6,138,501 A * 10/2000 Rastegar G01N 3/48
73/12.09

(**) Term: **15 Years**

* cited by examiner

(21) Appl. No.: **29/580,751**

Primary Examiner — Antoine Duval Davis

(22) Filed: **Oct. 12, 2016**

(74) *Attorney, Agent, or Firm* — Lathrop Gage L.L.P.

(30) **Foreign Application Priority Data**

(57) **CLAIM**

Apr. 12, 2016 (KR) 30-2016-0017348

The ornamental design for a plunger for semiconductor chip-testing probe, as shown and described.

(51) **LOC (11) Cl.** **10-04**

DESCRIPTION

(52) **U.S. Cl.**

USPC **D10/80; D10/103**

(58) **Field of Classification Search**

USPC D10/80, 103; D14/437

CPC G01R 1/06; G01R 1/067; G01R 1/06705;

G01R 1/06711; G01R 1/06716; G01R

1/06722; G01R 1/06727; G01R 1/06733;

G01R 1/06738; G01R 1/06744; G01R

1/0675; G01R 1/06766; G01R 1/06772;

G01R 1/06777; G01R 1/06783; G01R

1/06788; G01R 1/06794; G01R 1/07;

G01R 1/071; G01R 1/072; G01R 3/00;

FIG. 1 is a perspective view.

FIG. 2 is a front view.

FIG. 3 is a back view.

FIG. 4 is a left side view.

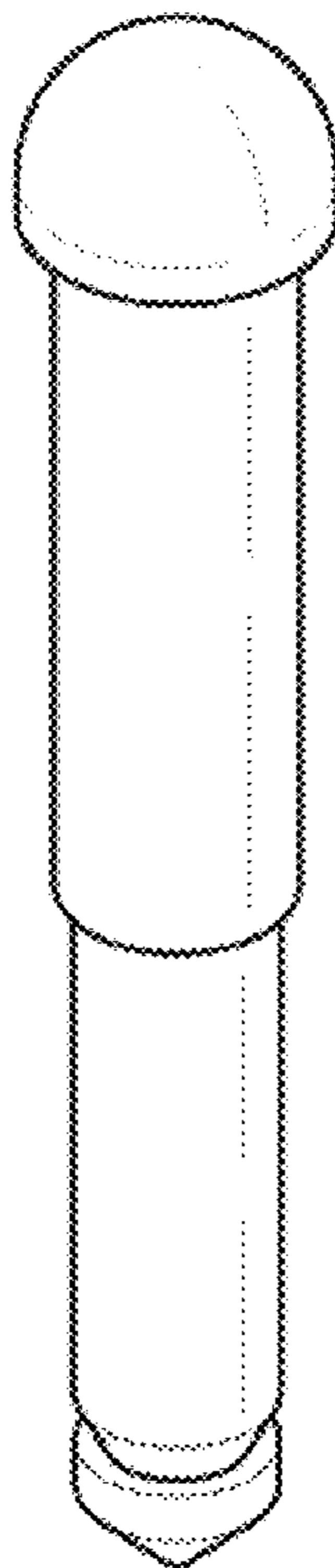
FIG. 5 is a right side view.

FIG. 6 is a top plan view; and,

FIG. 7 is a bottom plan view.

The present design relates to a plunger that is inserted into a semiconductor chip-testing probe and has a conical-shaped end. The material of the present design is metal.

1 Claim, 4 Drawing Sheets



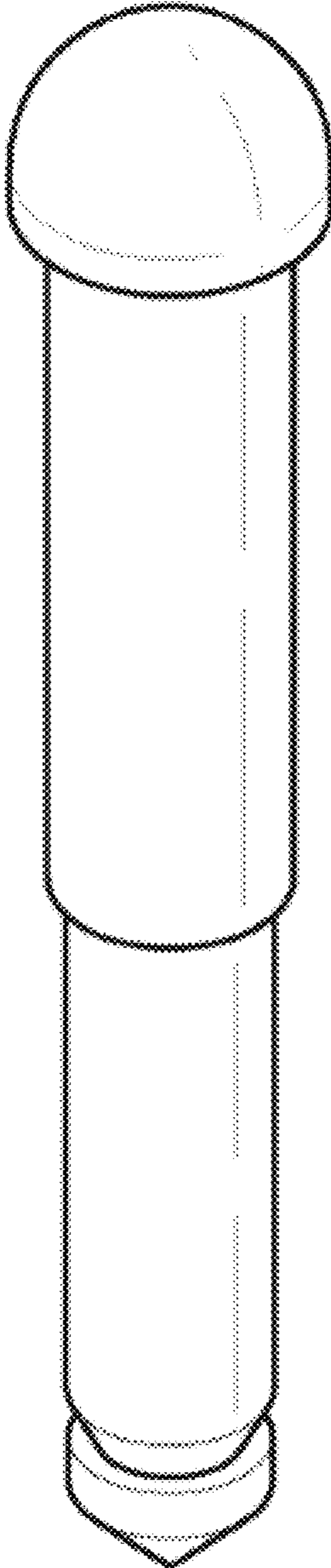


FIG. 1

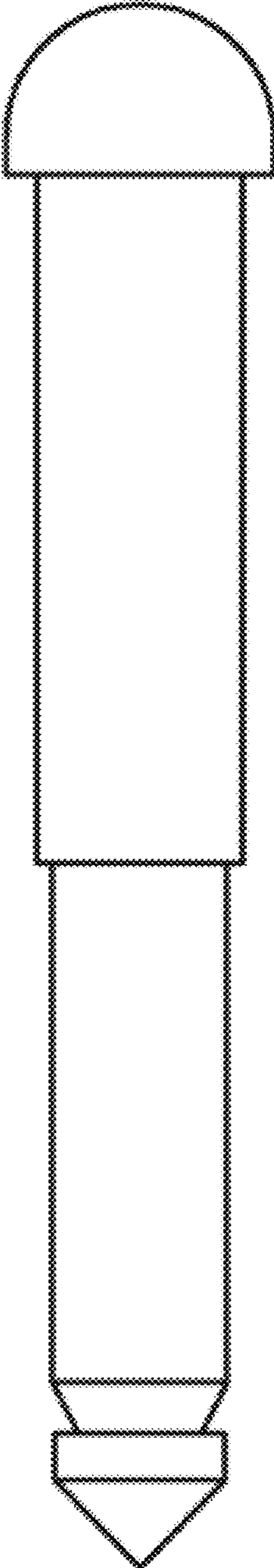


FIG. 2

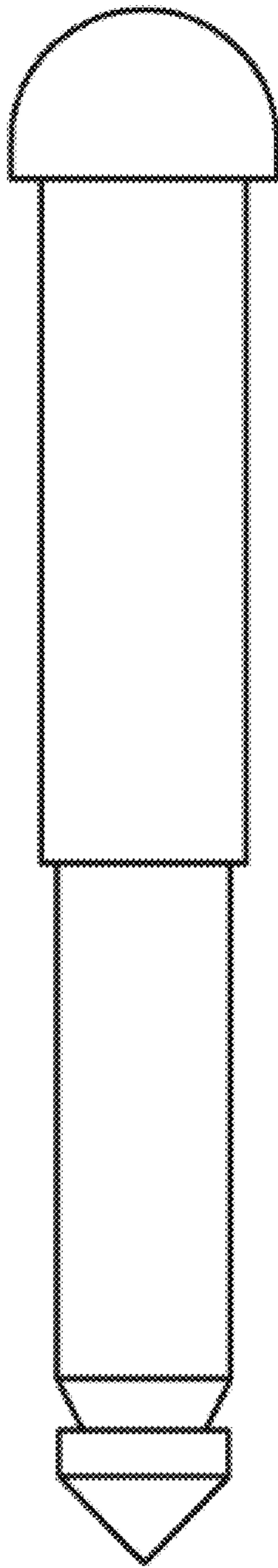


FIG. 3

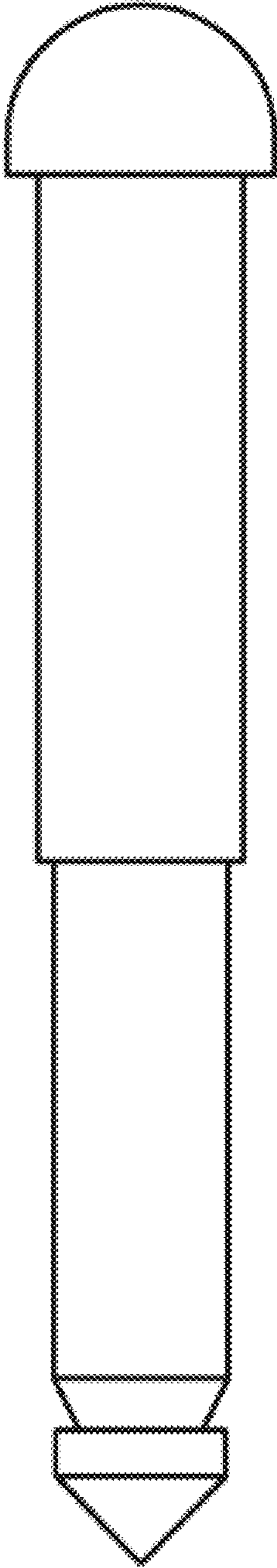


FIG. 4

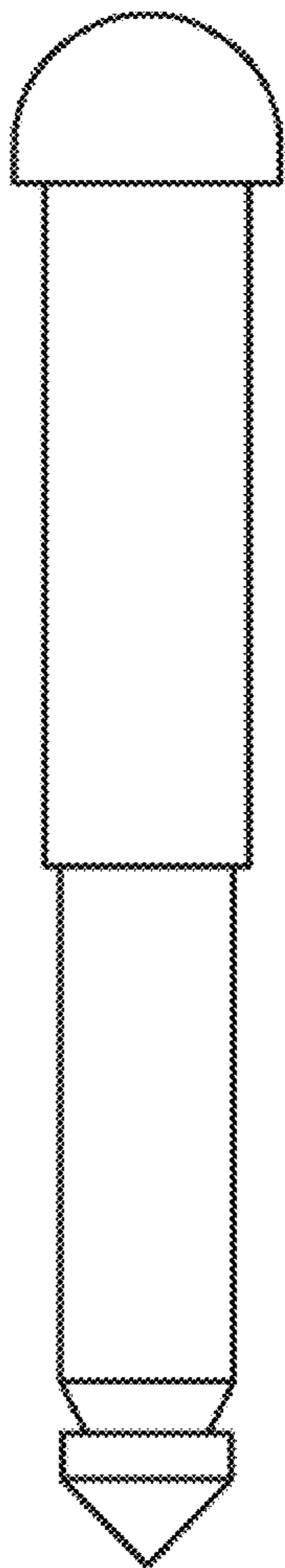


FIG. 5

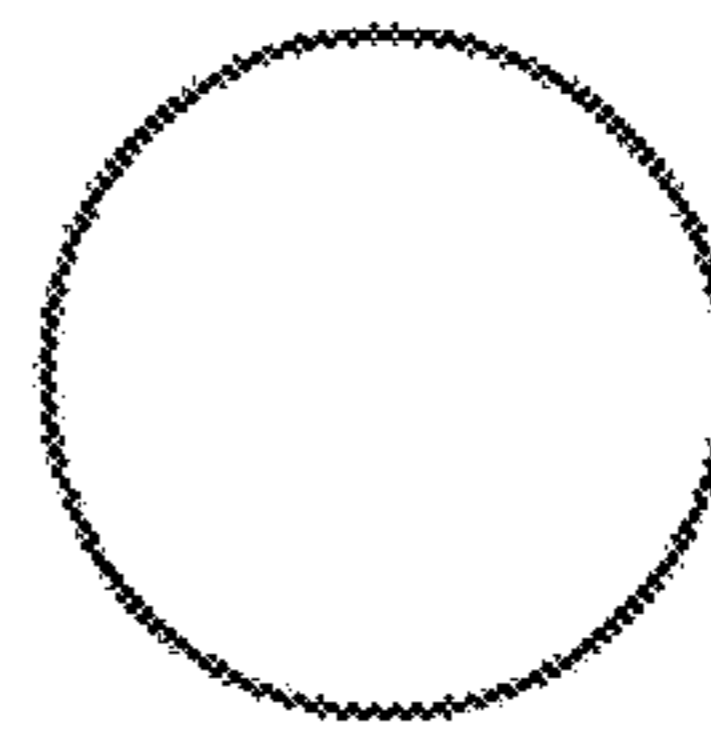


FIG. 6

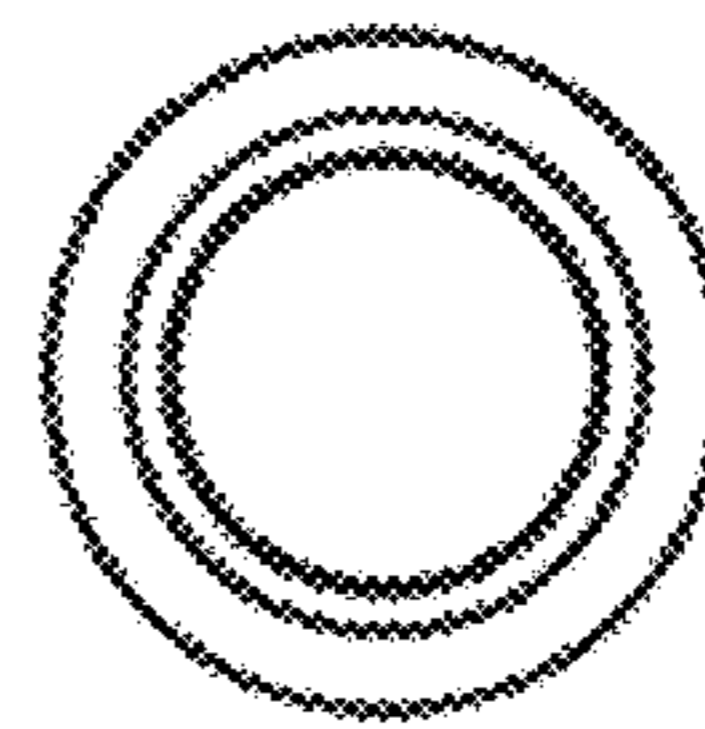


FIG. 7