



US00D811907S

(12) **United States Design Patent**
McLaughlin

(10) **Patent No.:** **US D811,907 S**

(45) **Date of Patent:** **** Mar. 6, 2018**

(54) **ADJUSTABLE BUBBLE LEVEL**

(71) Applicant: **Jarrid C. McLaughlin**, Rosedale, IN
(US)

(72) Inventor: **Jarrid C. McLaughlin**, Rosedale, IN
(US)

(**) Term: **15 Years**

(21) Appl. No.: **29/583,672**

(22) Filed: **Nov. 8, 2016**

(51) **LOC (11) Cl.** **10-04**

(52) **U.S. Cl.**
USPC **D10/69**

(58) **Field of Classification Search**
USPC D10/69
CPC ... G01C 9/24; G01C 9/26; G01C 9/28; G01C
9/30; G01C 9/32; G01C 9/34; G01C 9/36
See application file for complete search history.

(56) **References Cited**

U.S. PATENT DOCUMENTS

- 1,105,493 A * 7/1914 Collins G01C 9/28
33/388
- 2,825,144 A 3/1958 Warden, Sr.

- D261,996 S * 11/1981 Barton D10/69
- D299,317 S * 1/1989 Dahle D10/69
- 4,999,921 A 3/1991 Bird
- 5,001,838 A 3/1991 Huxley et al.
- D409,508 S 5/1999 Gallagher
- 6,477,781 B1 11/2002 Blatt
- D498,686 S 11/2004 Levinson
- D574,273 S * 8/2008 Dolin D10/69
- 7,472,487 B2 1/2009 Tran

* cited by examiner

Primary Examiner — Antoine Duval Davis

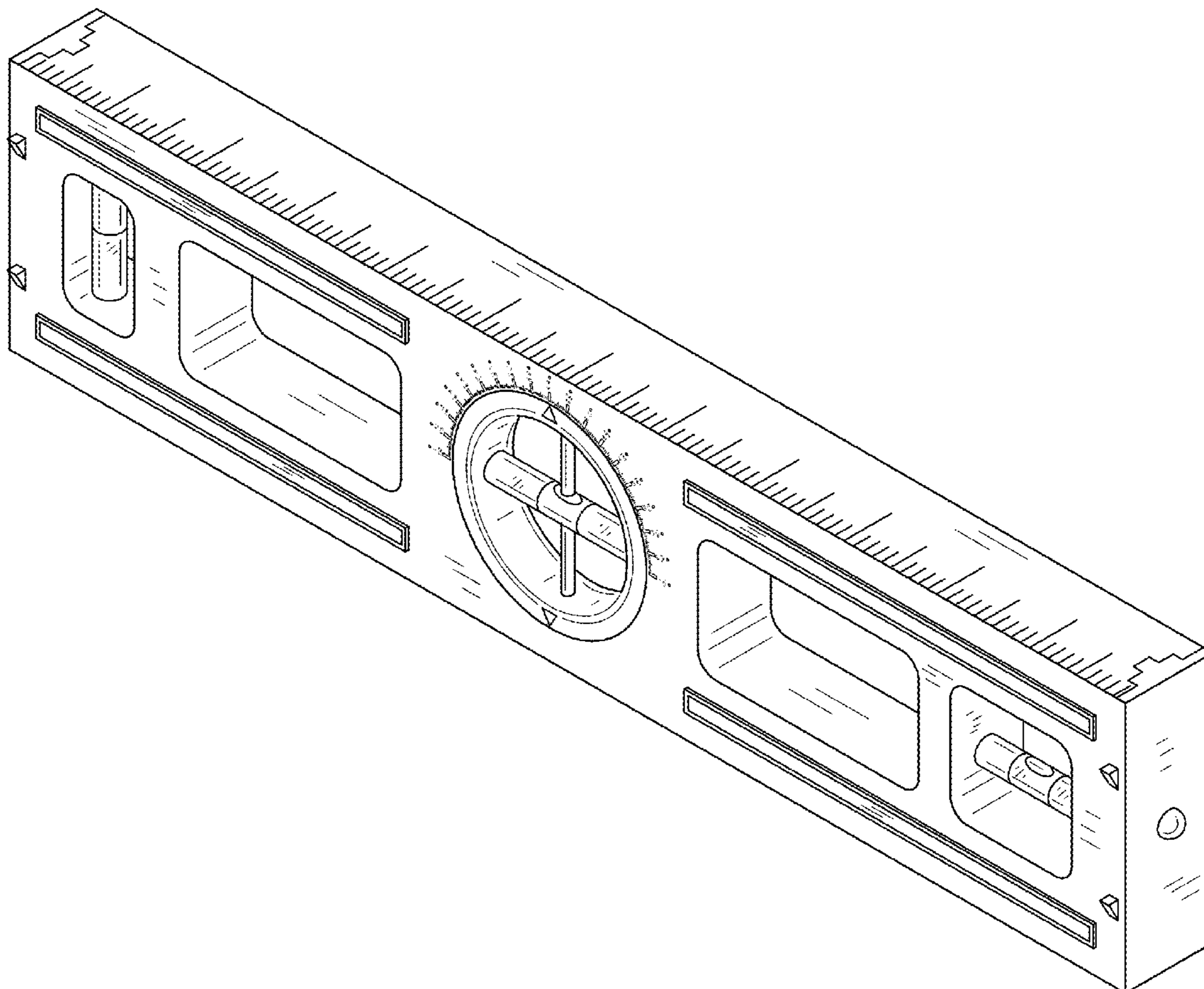
(57) **CLAIM**

I claim the ornamental design for an adjustable bubble level,
as shown and described.

DESCRIPTION

FIG. 1 is a front view of the adjustable bubble level.
FIG. 2 is a rear view of the claimed design.
FIG. 3 is a left side view of the claimed design.
FIG. 4 is a top view of the claimed design.
FIG. 5 is a perspective view of the claimed design; and,
FIG. 6 is a front detail view of the claimed design.

1 Claim, 5 Drawing Sheets



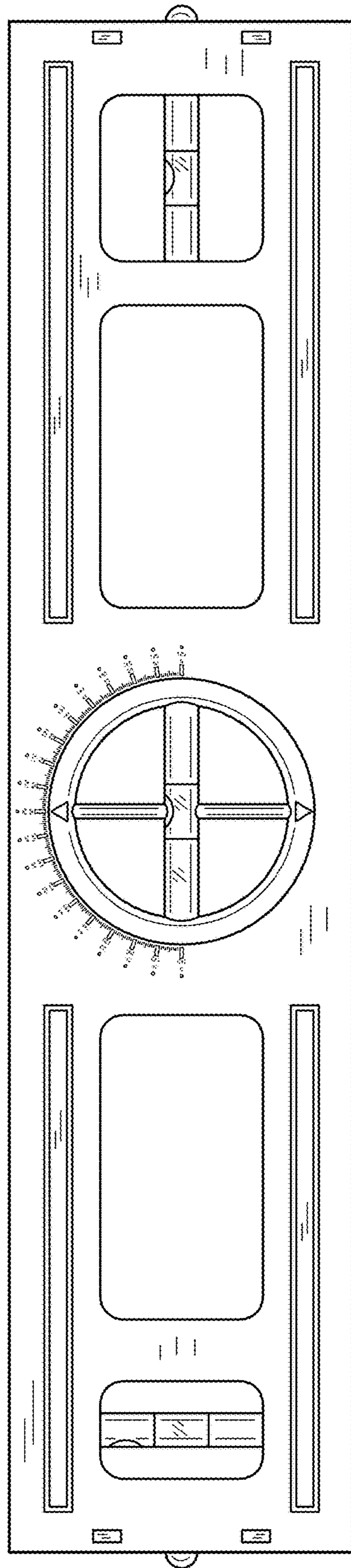


FIG. 1

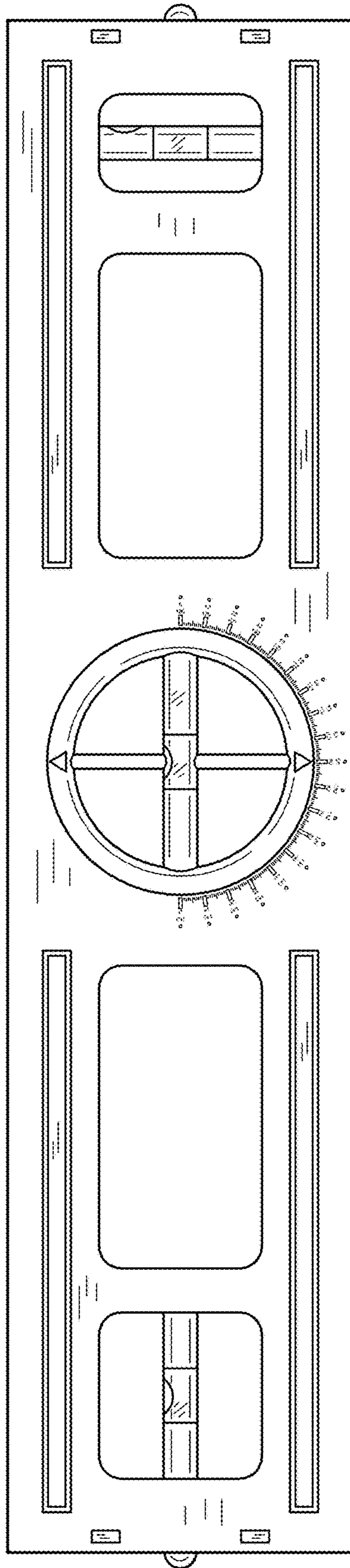


FIG. 2

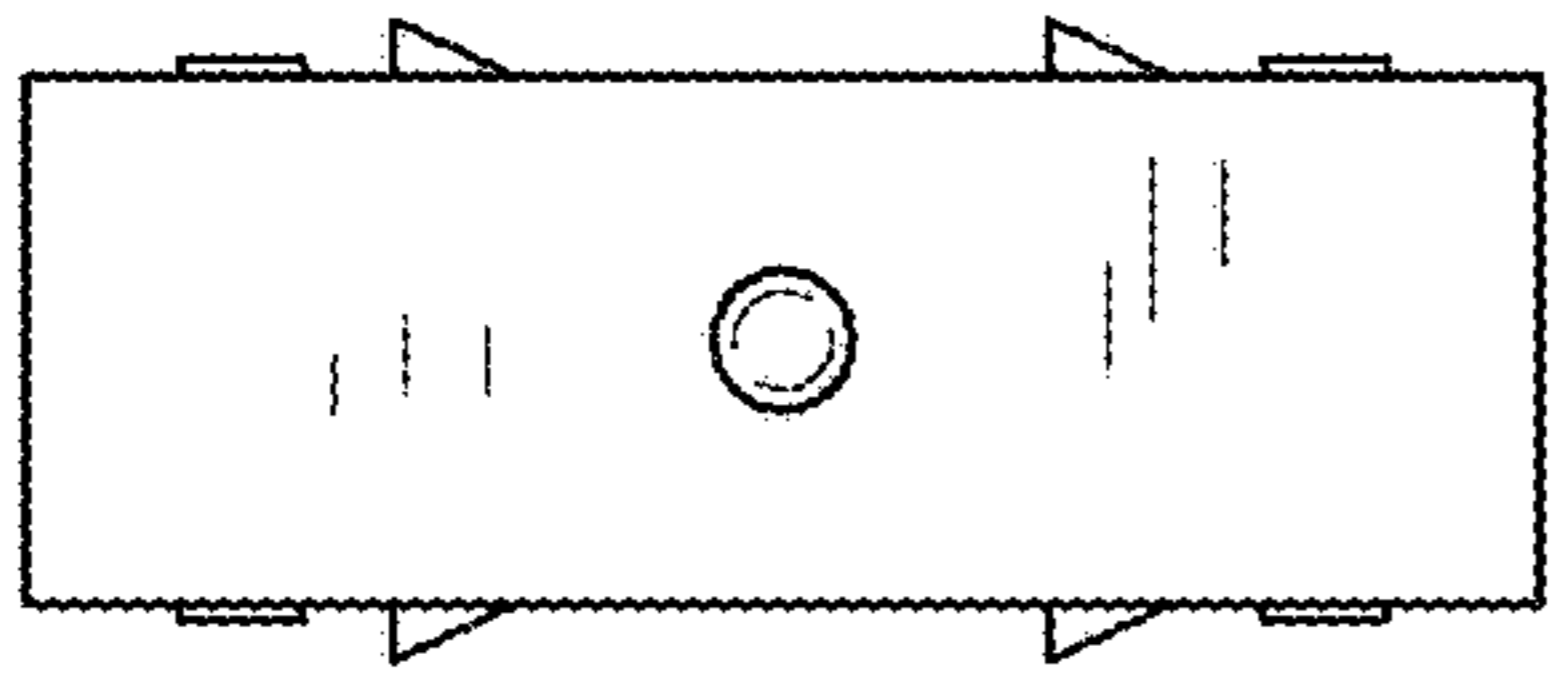


FIG. 3

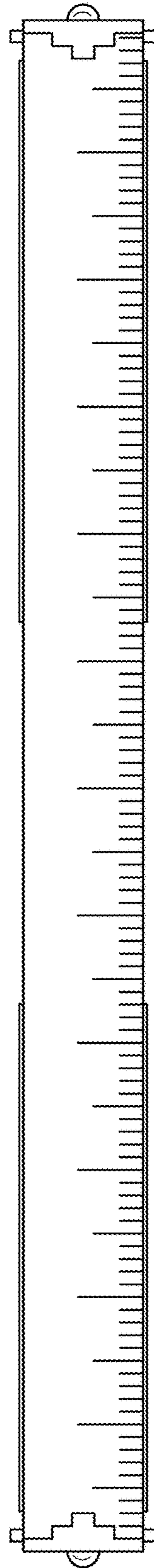


FIG. 4

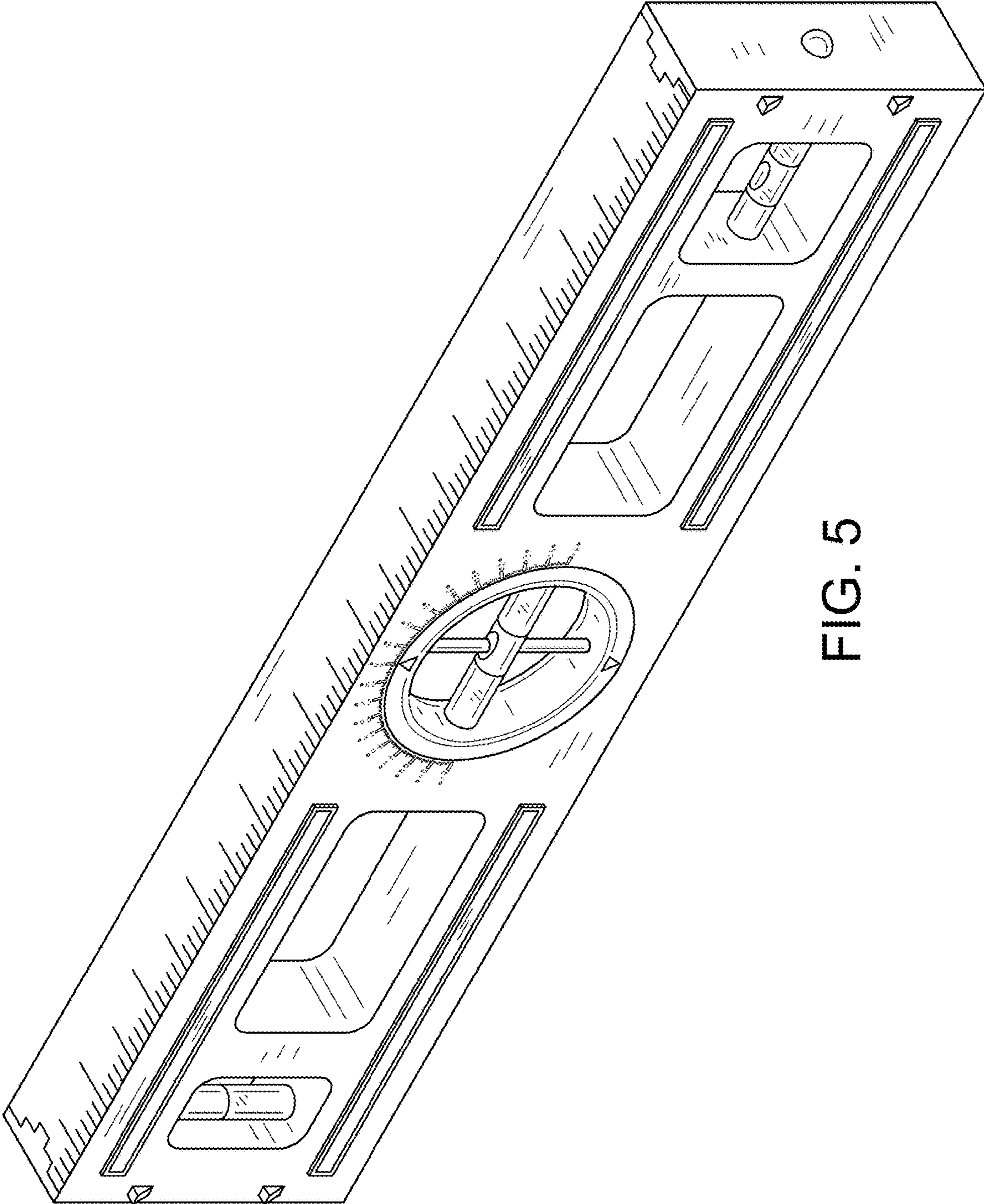


FIG. 5

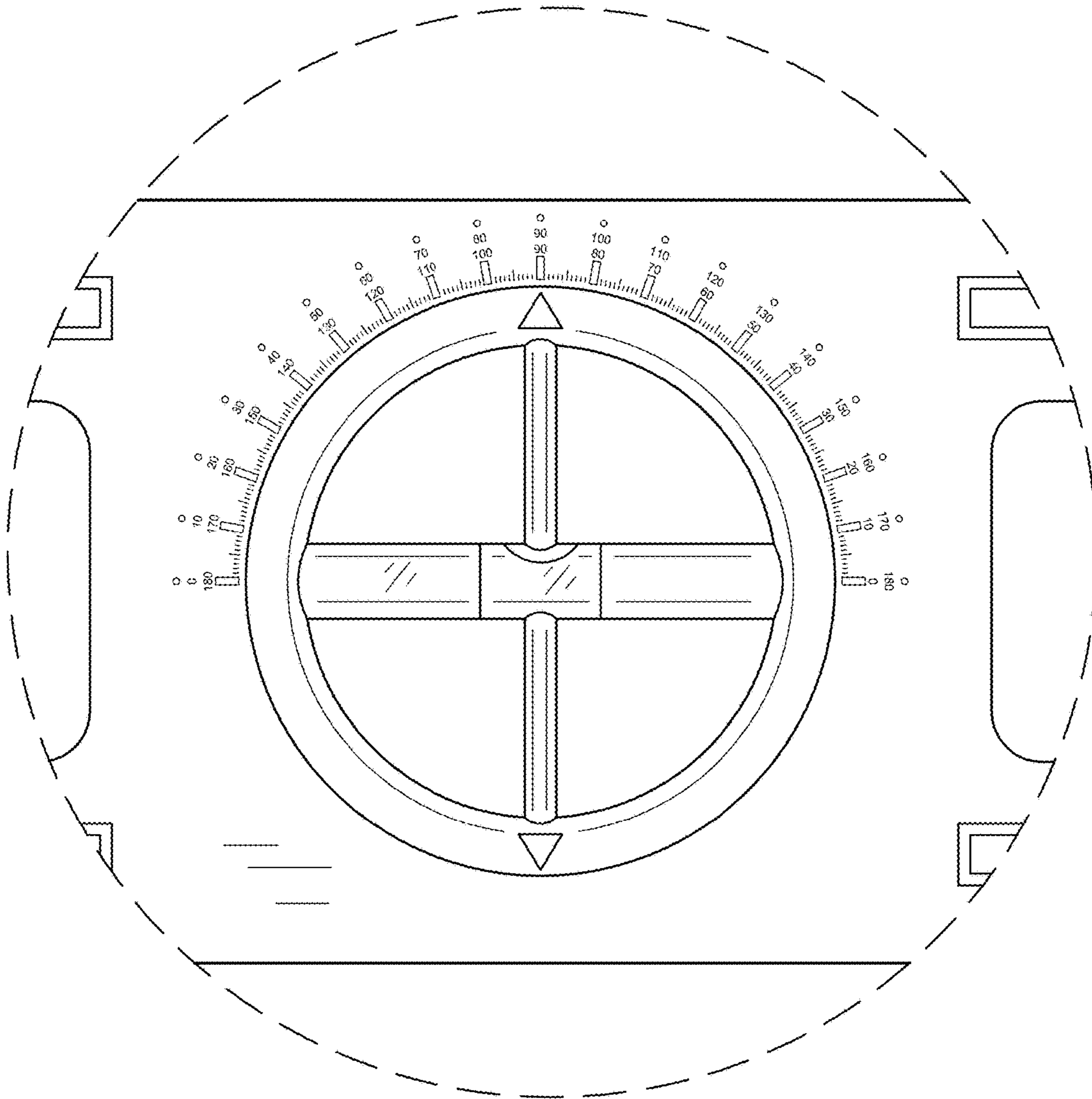


FIG. 6