



US00D811905S

(12) **United States Design Patent**  
**White et al.**

(10) **Patent No.:** **US D811,905 S**  
(45) **Date of Patent:** **\*\* Mar. 6, 2018**

- (54) **WATCH**
- (71) Applicant: **Nixon, Inc.**, Encinitas, CA (US)
- (72) Inventors: **Tyson White**, Encinitas, CA (US); **Joe Babcock**, Encinitas, CA (US); **Franck Juvin**, Encinitas, CA (US)
- (73) Assignee: **NIXON, INC.**, Encinitas, CA (US)
- (\*\*) Term: **15 Years**
- (21) Appl. No.: **29/545,228**
- (22) Filed: **Nov. 11, 2015**
- (51) **LOC (11) Cl.** ..... **10-02**
- (52) **U.S. Cl.**  
USPC ..... **D10/39**
- (58) **Field of Classification Search**  
USPC ..... D10/30-39, 65, 70, 78, 97, 98; D11/3;  
D14/344; D24/167-168, 186  
CPC ..... G04B 19/00-19/34; G04B 23/12; G04B  
37/00-37/228; G04B 47/00-47/068;  
G01C 17/00; G01C 21/00-21/3697;  
G01C 22/00-22/025; G06F 19/3481  
See application file for complete search history.

- D486,079 S \* 2/2004 de Baschmakoff ..... D10/39
- D502,120 S \* 2/2005 Nataf ..... D10/126
- D565,433 S \* 4/2008 Ratajski ..... D10/39
- D577,303 S \* 9/2008 Lalo ..... D10/122
- D587,139 S \* 2/2009 Armani ..... D10/30
- D645,766 S \* 9/2011 Bertucci ..... D10/38
- D648,229 S \* 11/2011 Moritz ..... D10/38
- D695,637 S \* 12/2013 Jacquerye ..... D10/39
- D782,338 S \* 3/2017 White ..... D10/39
- D787,954 S \* 5/2017 Morimoto ..... D10/30

\* cited by examiner

*Primary Examiner* — Sandra S Snapp

*Assistant Examiner* — Katherine Glennon

(74) *Attorney, Agent, or Firm* — Northstar Law Group;  
Thomas J. Bassolino

(57) **CLAIM**

The ornamental design for a watch, as shown and described.

**DESCRIPTION**

FIG. 1 is a front right perspective view of a watch showing our new design;  
 FIG. 2 is a front elevated view thereof;  
 FIG. 3 is a back elevated view thereof;  
 FIG. 4 is a left side view thereof;  
 FIG. 5 is a right side view thereof;  
 FIG. 6 is a top view thereof; and,  
 FIG. 7 is a bottom view thereof.

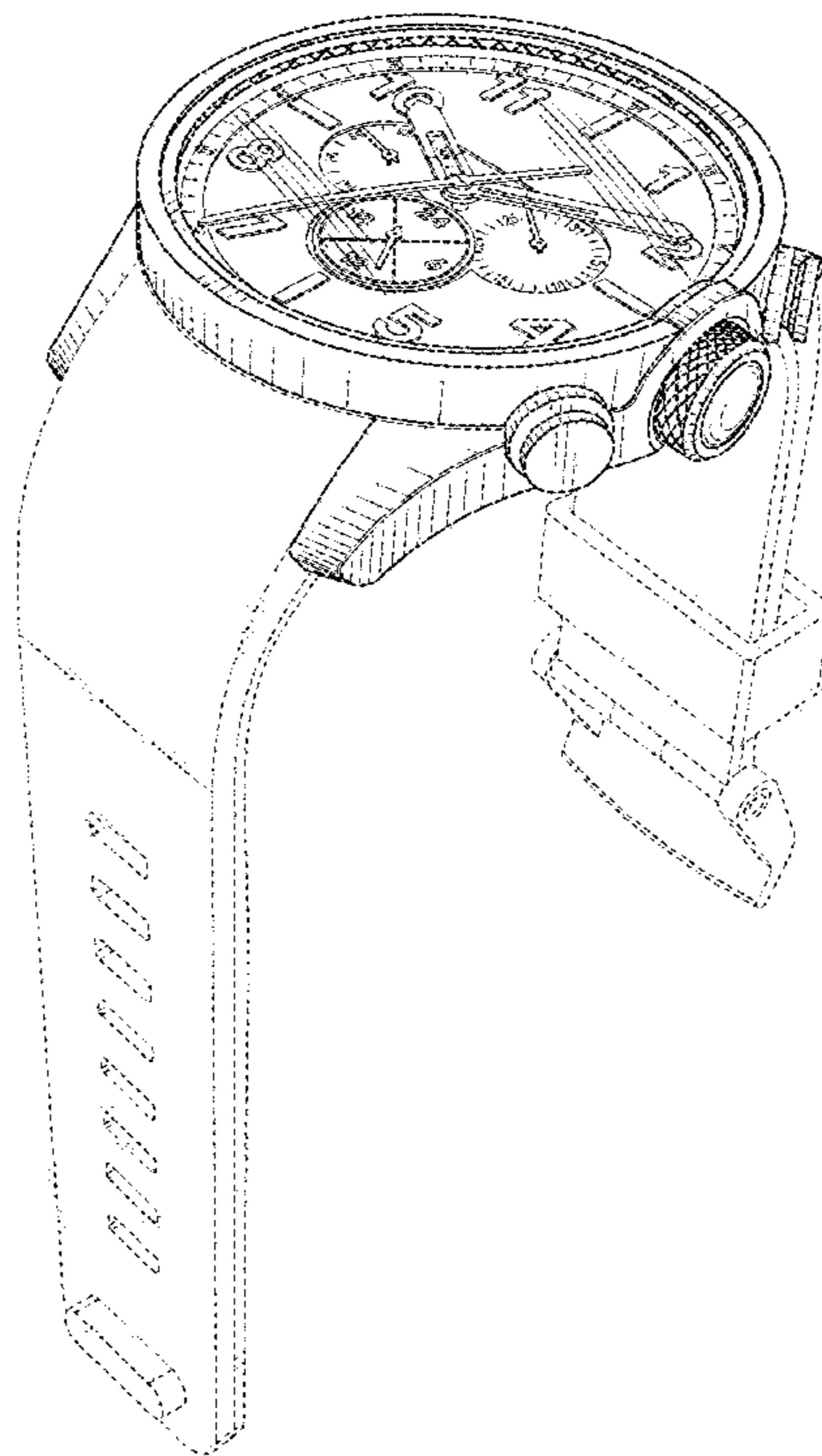
The broken lines showing the watch strap and clasp are for environmental purposes only and form no part of the claimed design. The portions of the watch in FIG. 7 shown in broken lines form no part of the claimed design.

**1 Claim, 6 Drawing Sheets**

(56) **References Cited**

U.S. PATENT DOCUMENTS

- D326,419 S \* 5/1992 Bulgari ..... D10/39
- D373,957 S \* 9/1996 Mareschal ..... D10/30
- D465,739 S \* 11/2002 Arabov ..... D10/39
- D486,078 S \* 2/2004 de Baschmakoff ..... D10/39



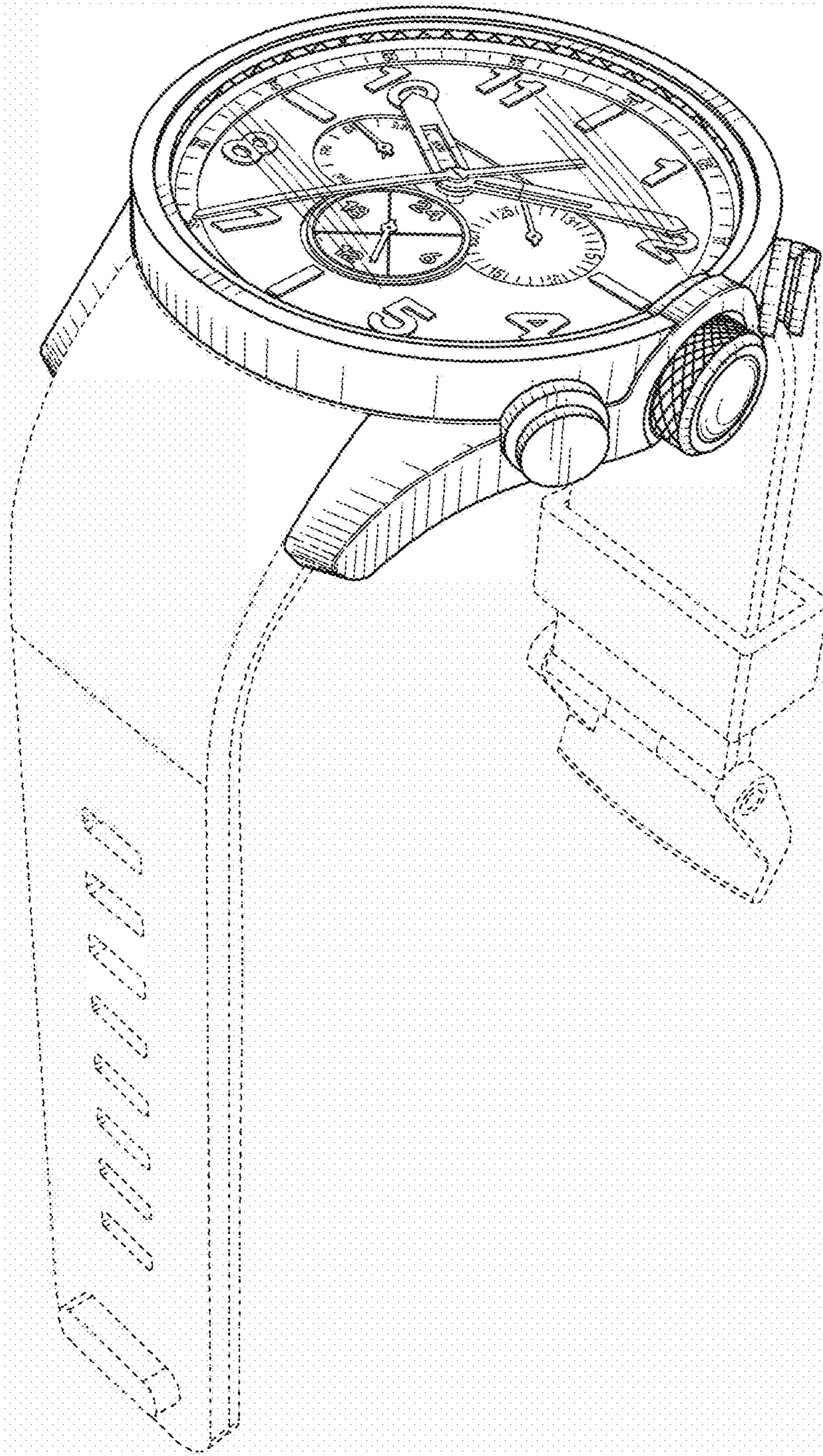


FIG. 1



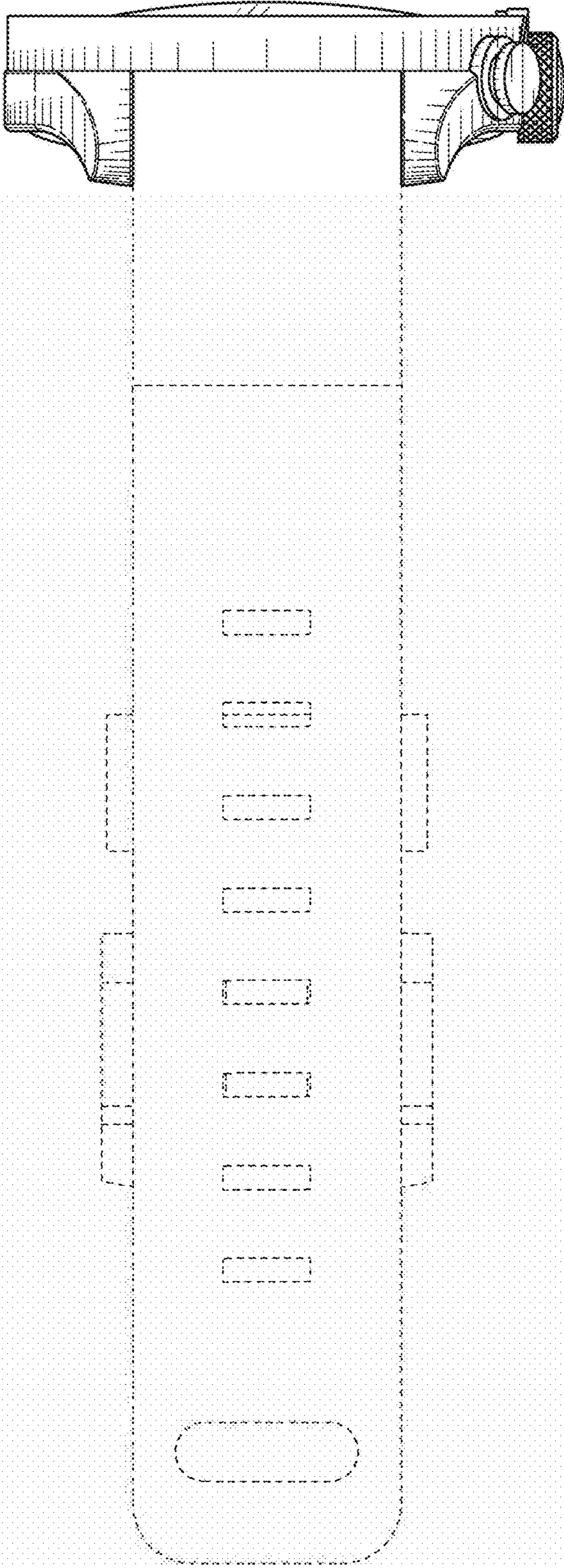


FIG. 2

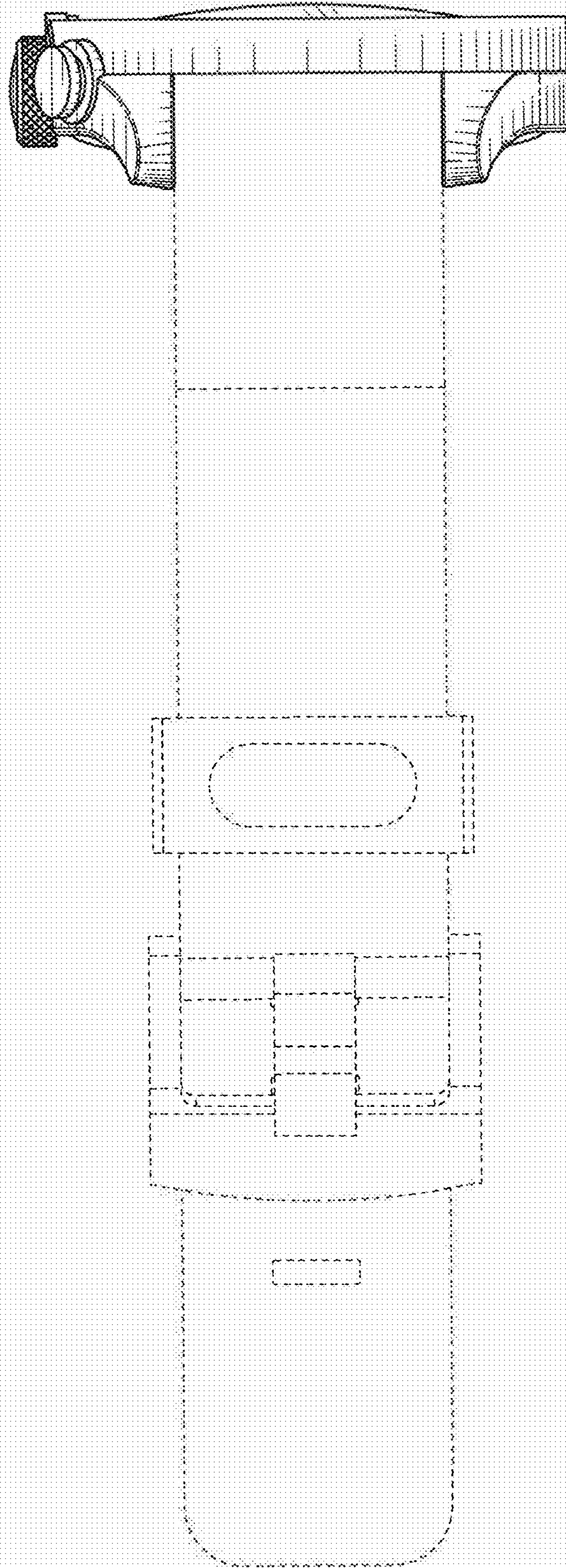


FIG. 3

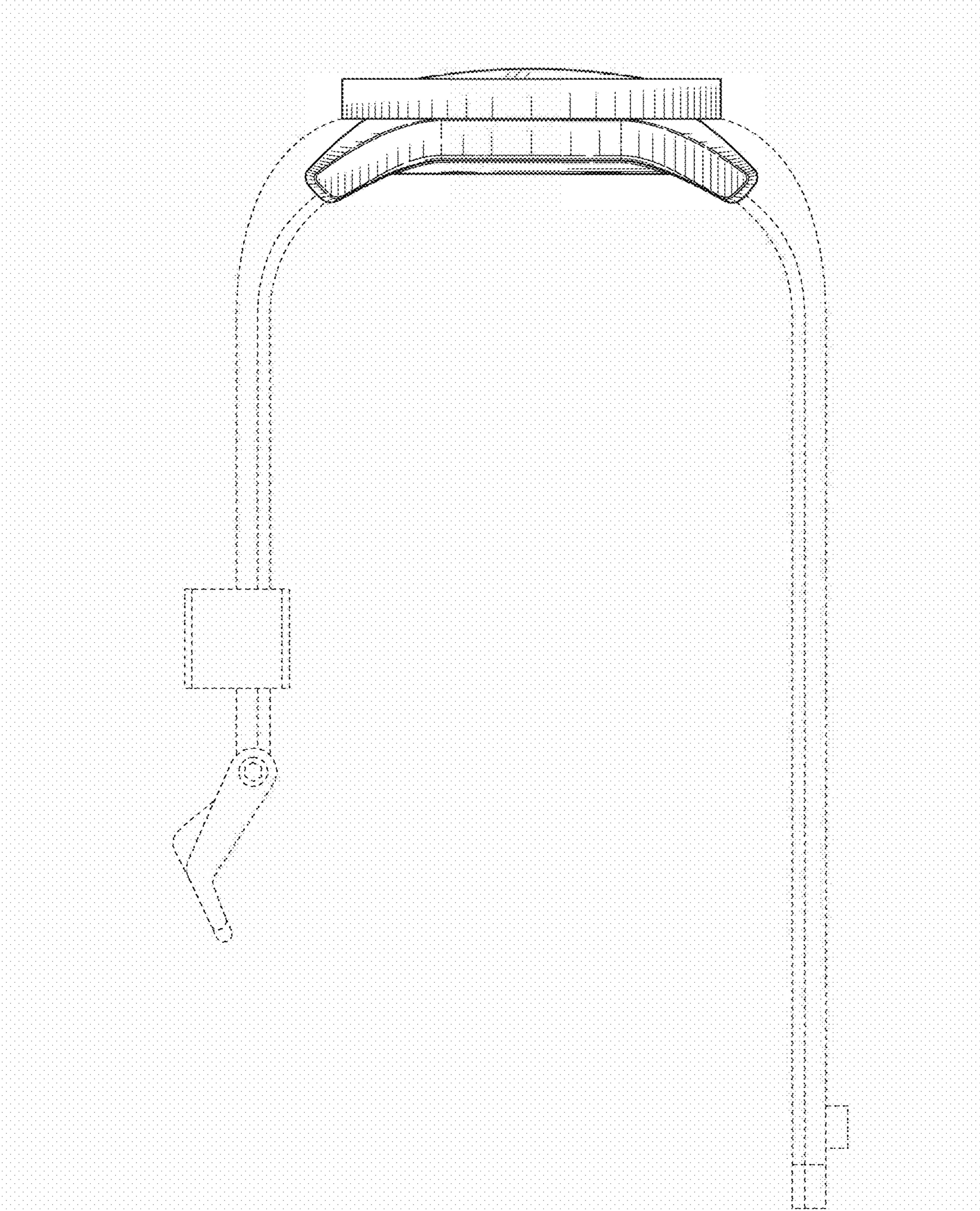


FIG. 4



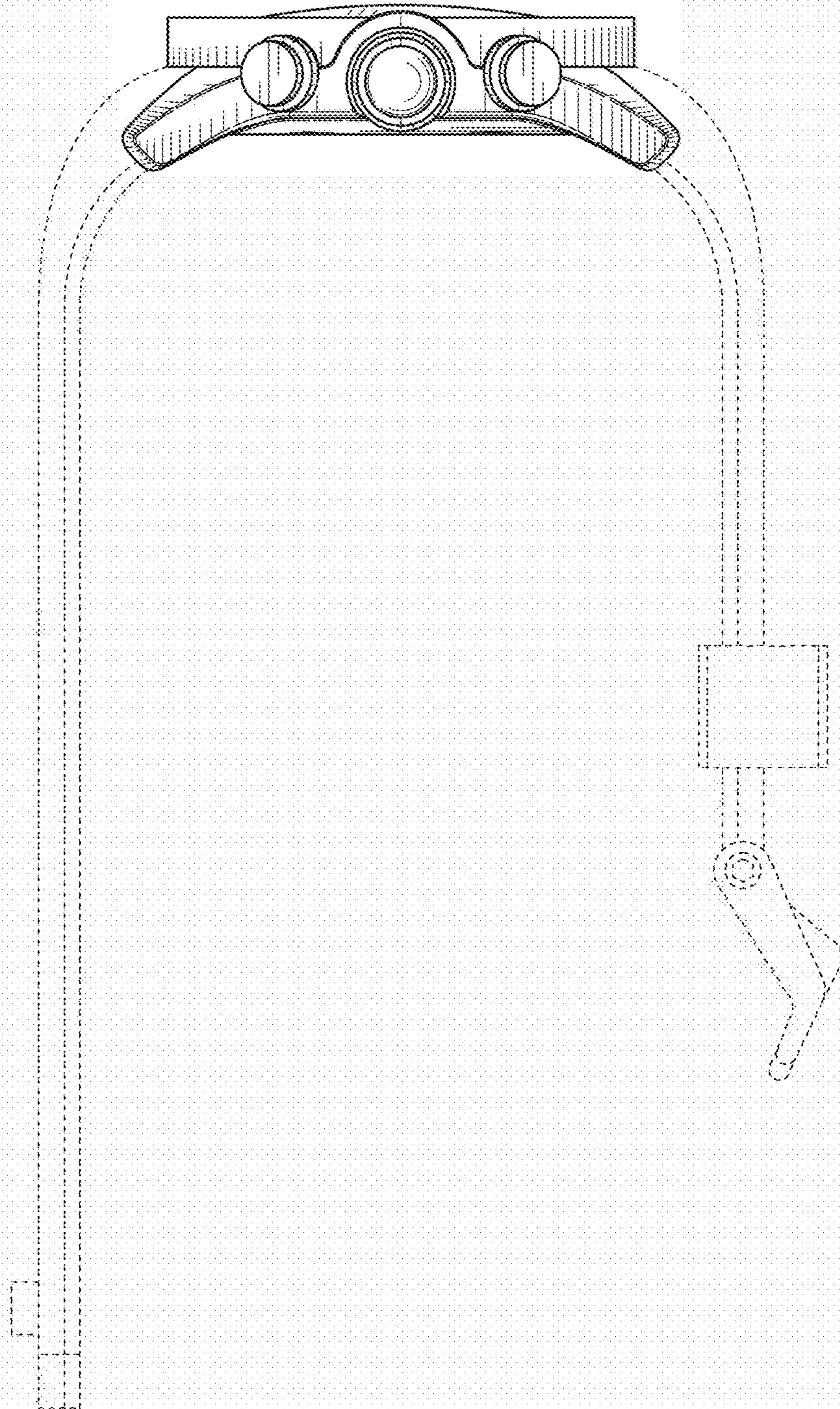


FIG. 5

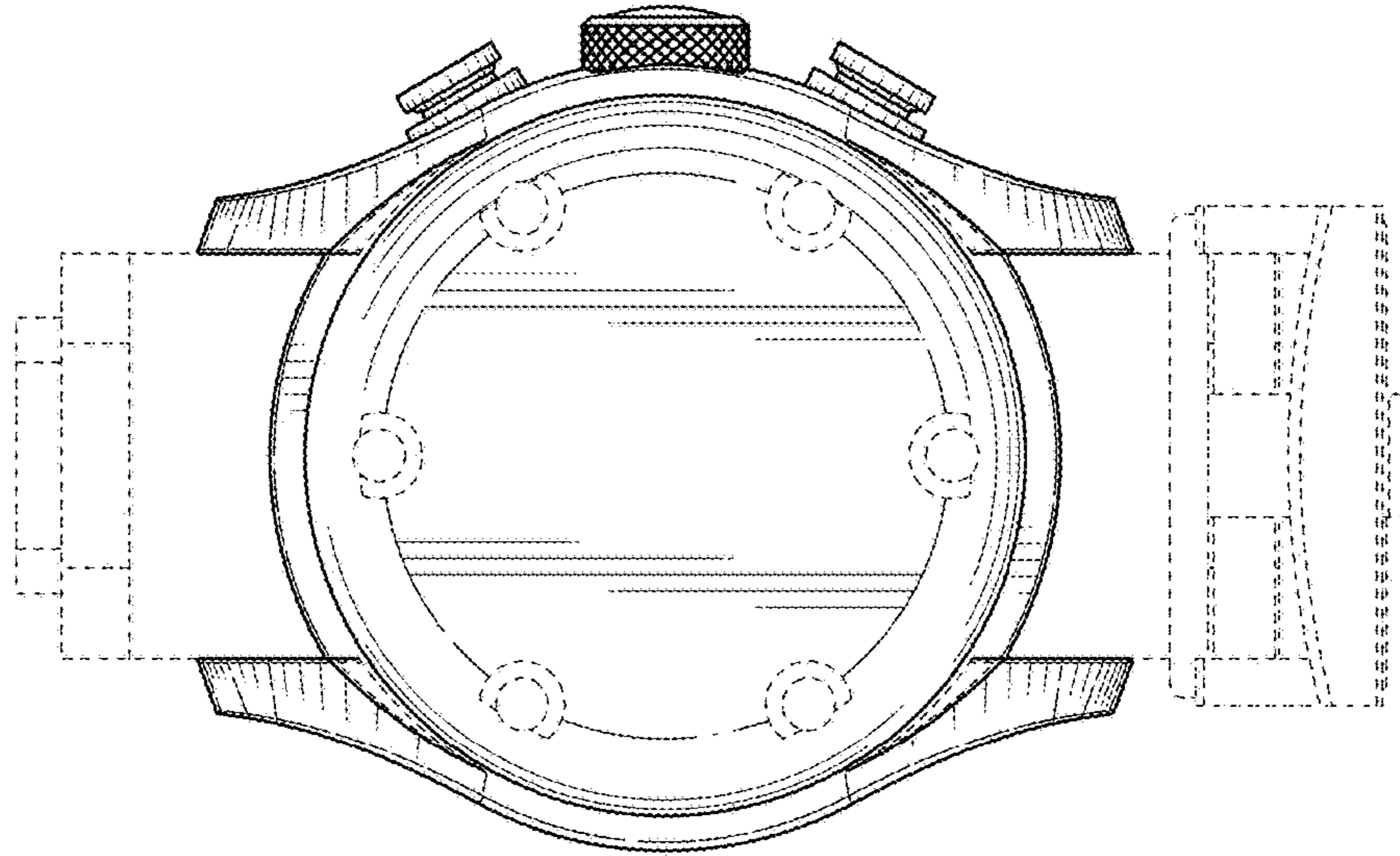


FIG. 7

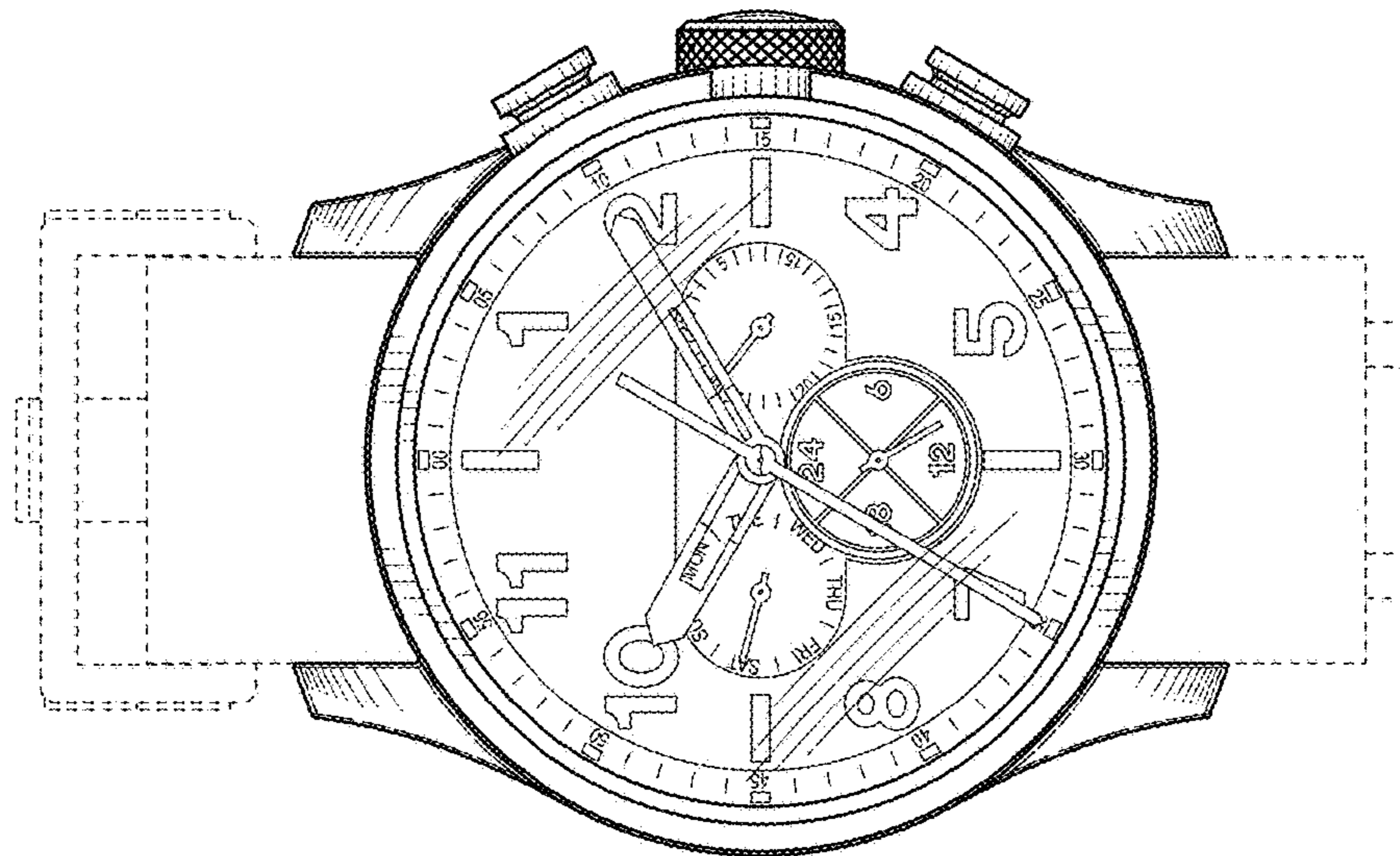


FIG. 6