



US00D811904S

(12) **United States Design Patent**
White et al.

(10) **Patent No.:** **US D811,904 S**
(45) **Date of Patent:** **** Mar. 6, 2018**

- (54) **WATCH**
- (71) Applicant: **Nixon, Inc.**, Encinitas, CA (US)
- (72) Inventors: **Tyson White**, Encinitas, CA (US); **Joe Babcock**, Encinitas, CA (US); **Franck Juvin**, Encinitas, CA (US)
- (73) Assignee: **NIXON, INC.**, Encinitas, CA (US)
- (**) Term: **15 Years**
- (21) Appl. No.: **29/545,207**
- (22) Filed: **Nov. 10, 2015**
- (51) **LOC (11) Cl.** **10-02**
- (52) **U.S. Cl.**
USPC **D10/39**
- (58) **Field of Classification Search**
USPC D10/30-39, 65, 70, 78, 97, 98; D11/3;
D14/344; D24/167-168, 186
CPC G04B 19/00-19/34; G04B 23/12; G04B
37/00-37/228; G04B 47/00-47/068;
G01C 17/00; G01C 21/00-21/3697;
G01C 22/00-22/025; G06F 19/3481
See application file for complete search history.

D565,433 S *	4/2008	Ratajski	D10/39
D587,139 S *	2/2009	Armani	D10/30
D648,229 S *	11/2011	Moritz	D10/38
D694,655 S *	12/2013	Rufenacht	D10/38
D750,505 S *	3/2016	Cerrato	D10/30
D758,888 S *	6/2016	Gu	D10/126
D768,526 S *	10/2016	Cerrato	D10/126
D771,505 S *	11/2016	Cerrato	D10/30
D782,338 S *	3/2017	White	D10/39
D785,470 S *	5/2017	White	D10/30

* cited by examiner

Primary Examiner — Sandra S Snapp

Assistant Examiner — Katherine Glennon

(74) *Attorney, Agent, or Firm* — Northstar Law Group;
Thomas J. Bassolino

(57) **CLAIM**

The ornamental design for a watch, as shown and described.

DESCRIPTION

FIG. 1 is a front right perspective view of a watch showing our new design;
 FIG. 2 is a front elevated view thereof;
 FIG. 3 is a back elevated view thereof;
 FIG. 4 is a left side view thereof;
 FIG. 5 is a right side view thereof;
 FIG. 6 is a top view thereof; and,
 FIG. 7 is a bottom view thereof.

The broken lines showing the watch strap and clasp are for environmental purposes only and form no part of the claimed design. The portions of the watch in FIG. 7 shown in broken lines form no part of the claimed design.

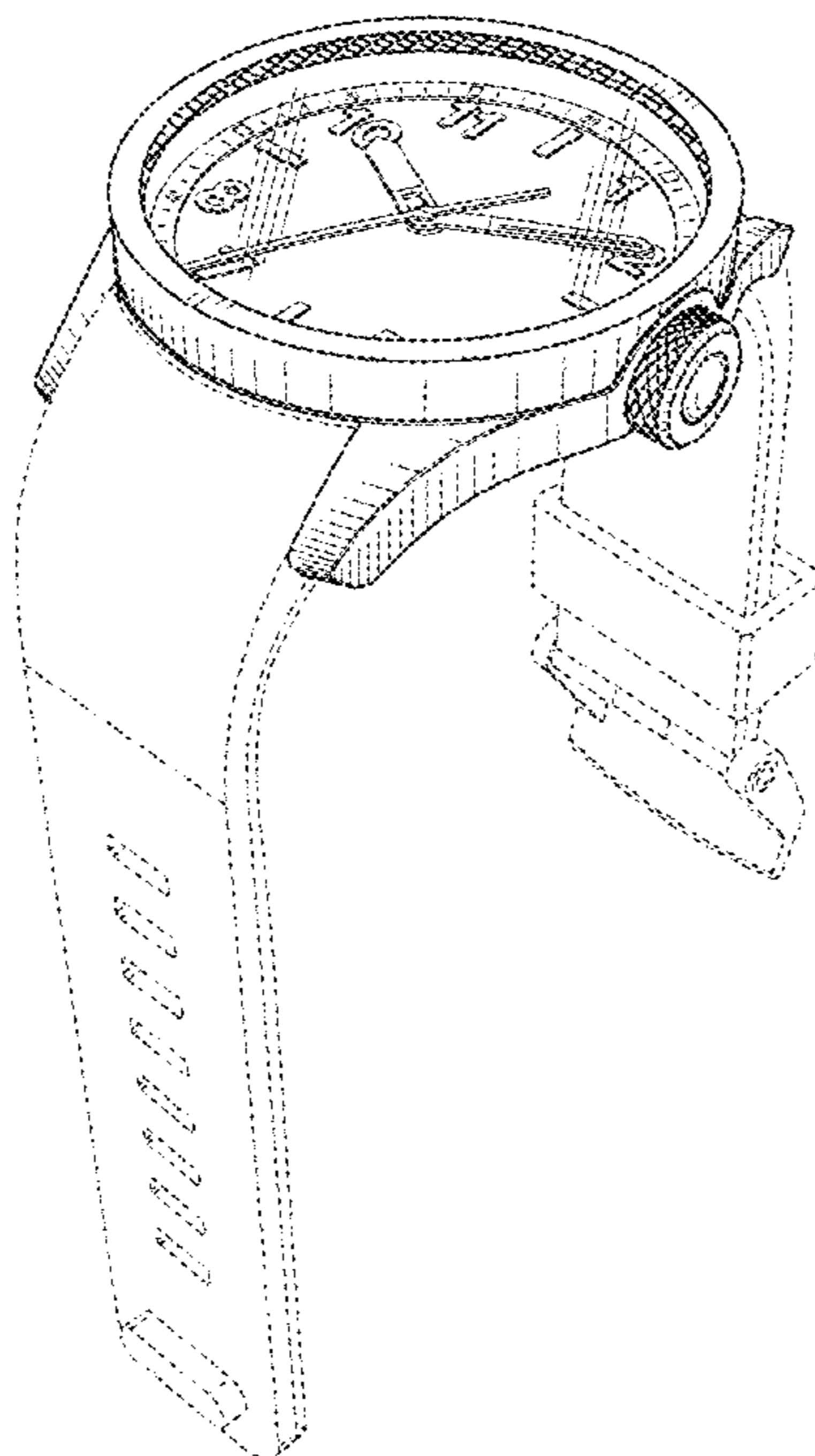
The portion of the watch in FIG. 7 shown in dot-dash lines forms no part of the claimed design.

1 Claim, 6 Drawing Sheets

(56) **References Cited**

U.S. PATENT DOCUMENTS

D172,442 S *	6/1954	Richter	D10/39
3,553,958 A *	1/1971	Grohoski	G04B 19/28 368/294
D326,419 S *	5/1992	Bulgari	D10/39
D373,957 S *	9/1996	Mareschal	D10/30
D465,739 S *	11/2002	Arabov	D10/39
D502,120 S *	2/2005	Nataf	D10/126



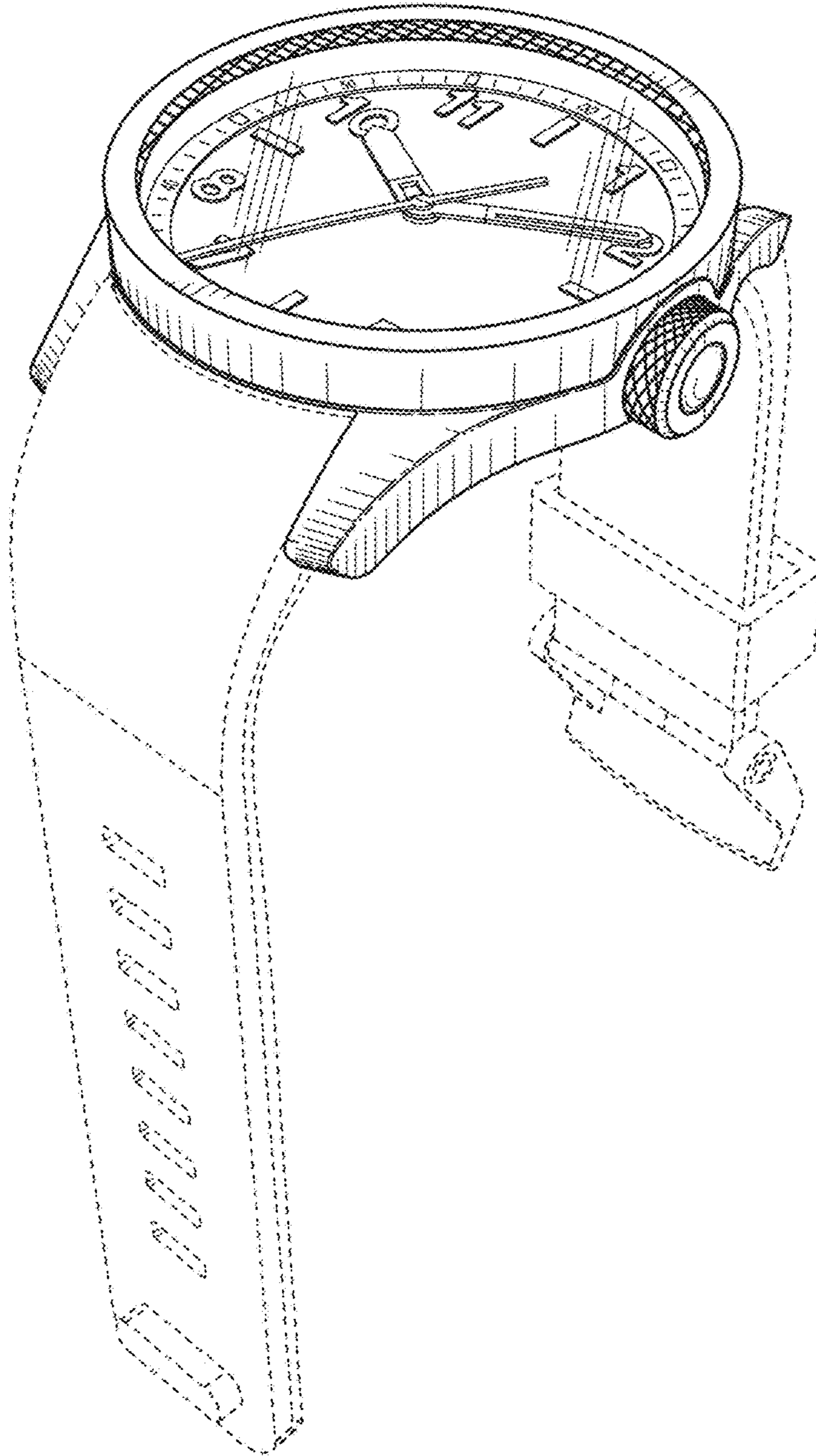


FIG. 1

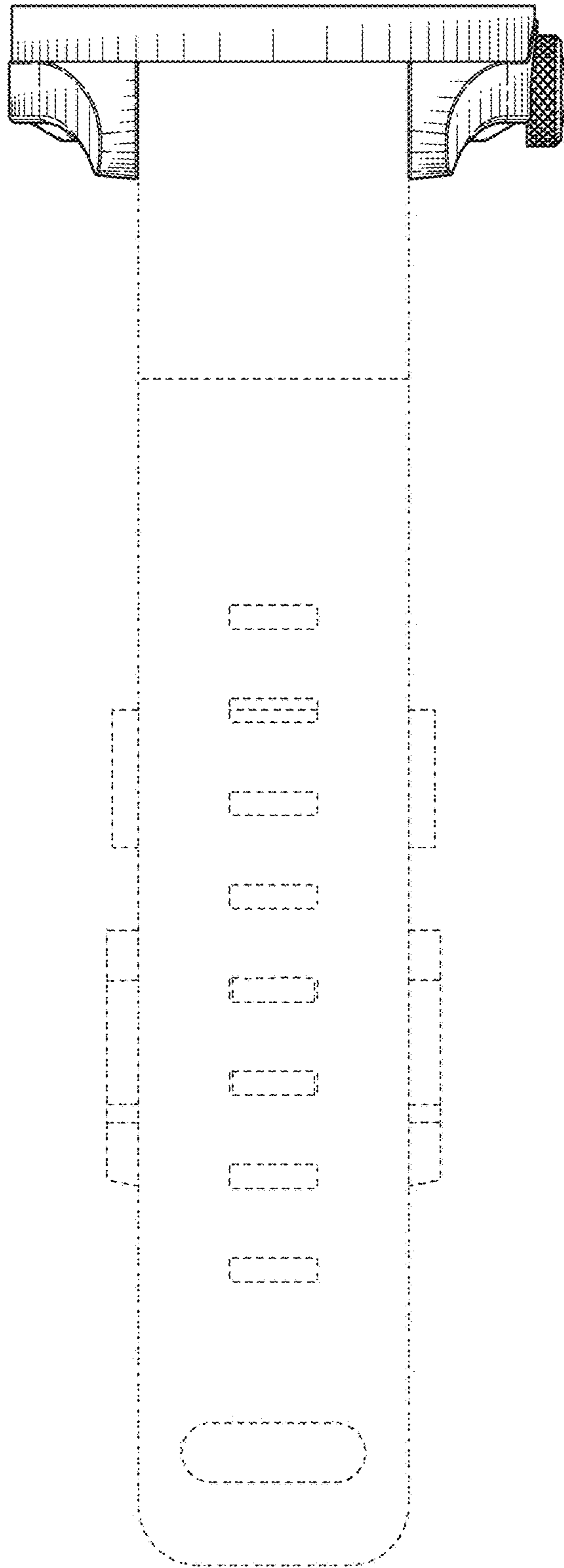


FIG. 2

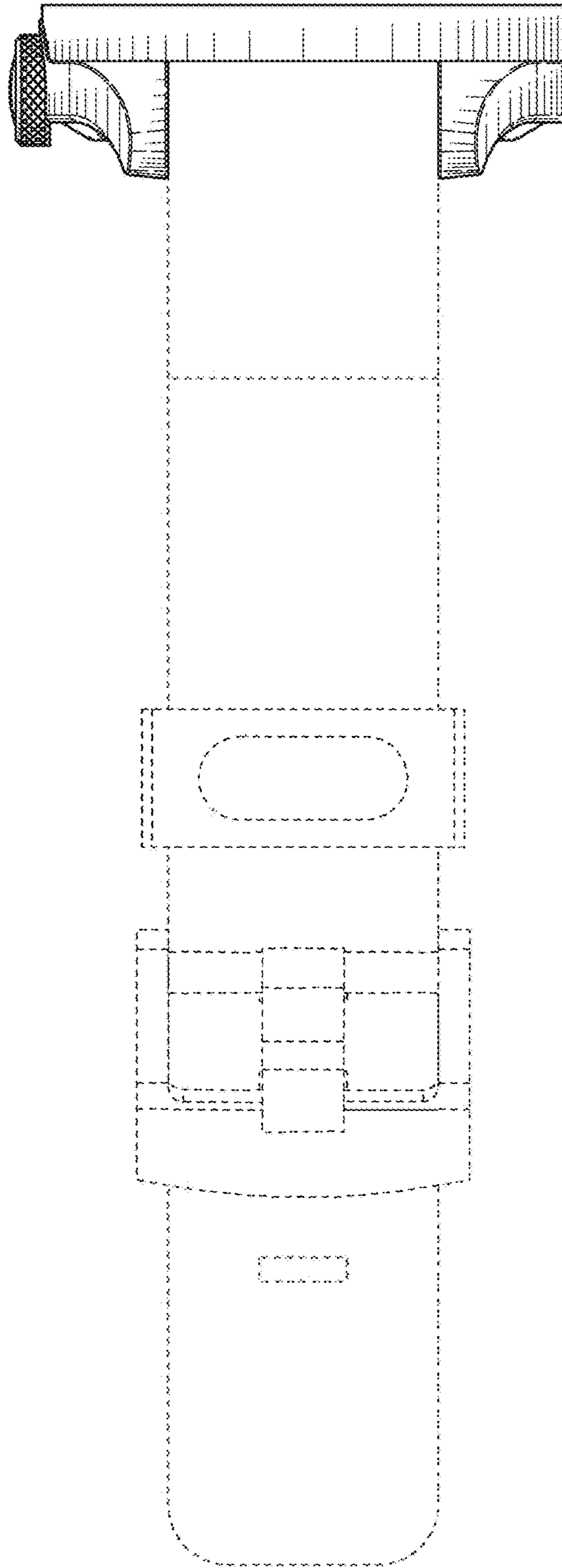


FIG. 3

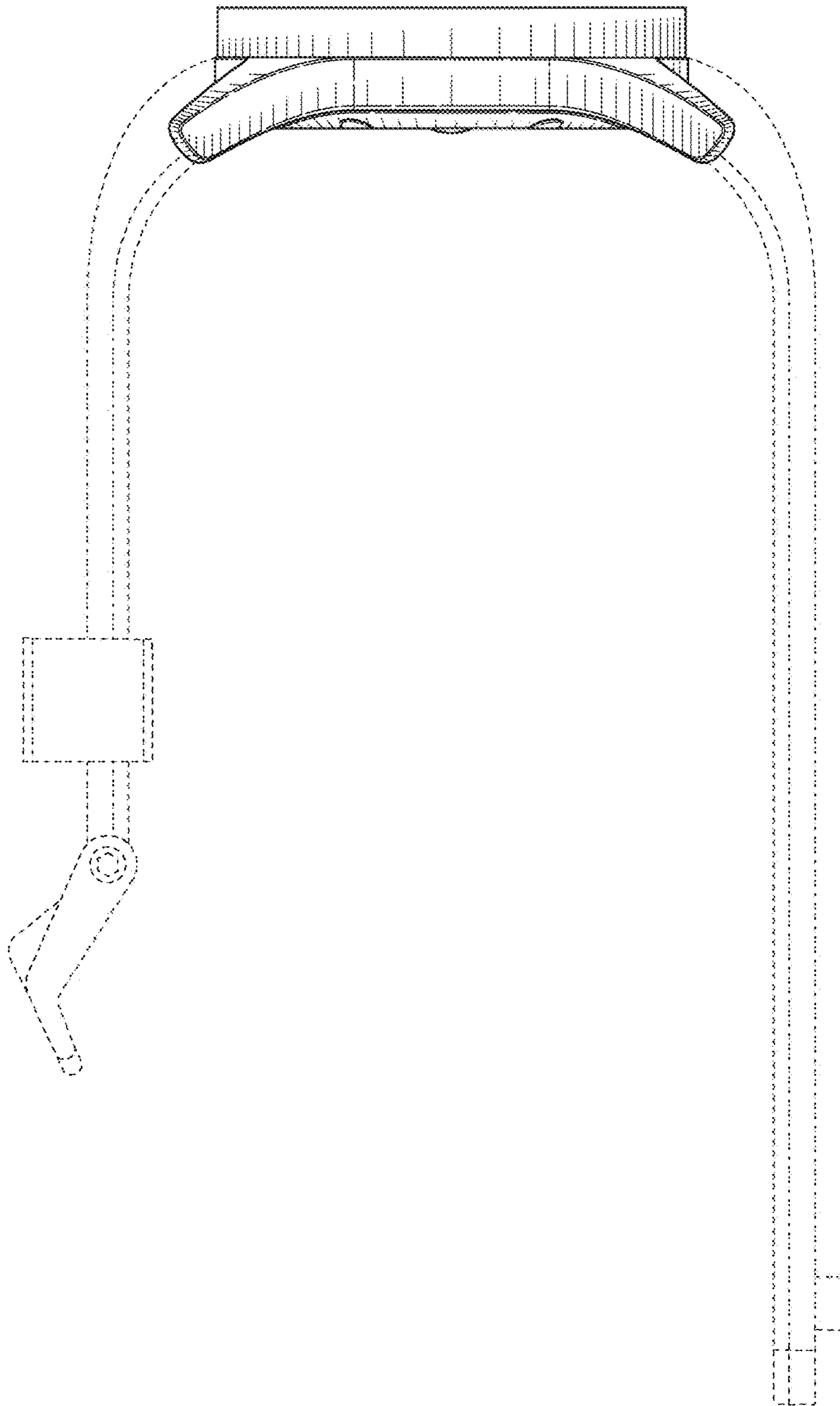


FIG. 4

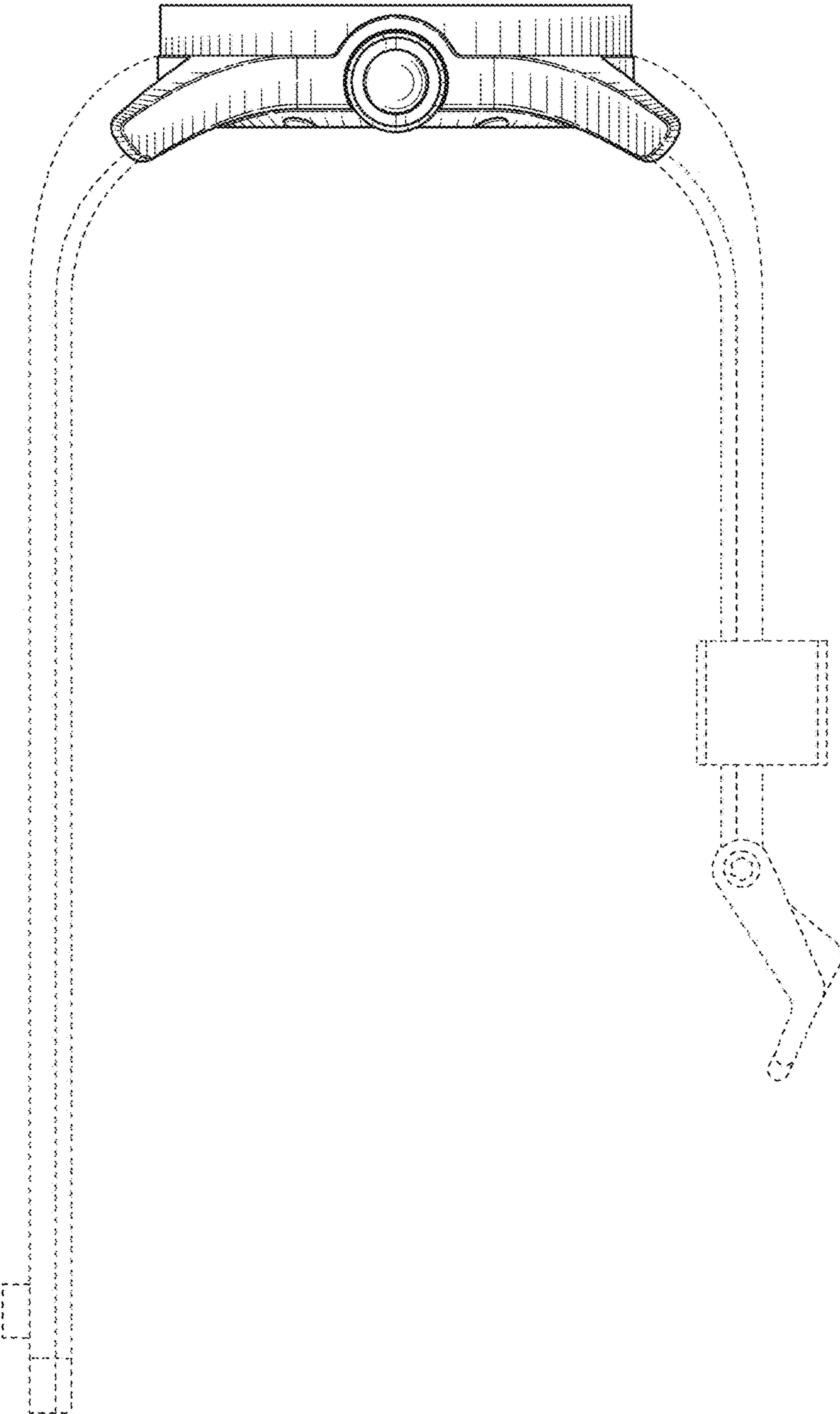


FIG. 5

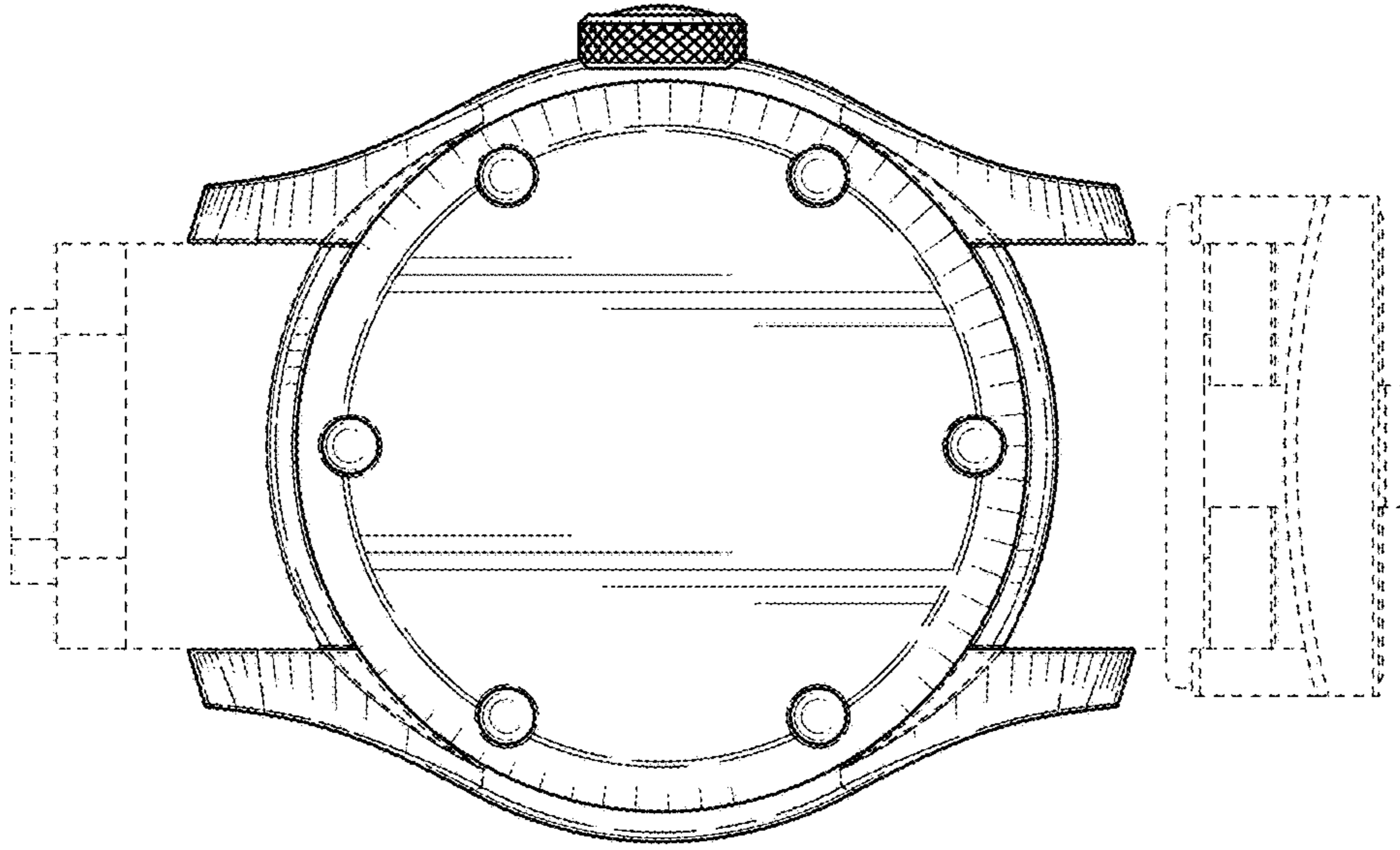


FIG. 7

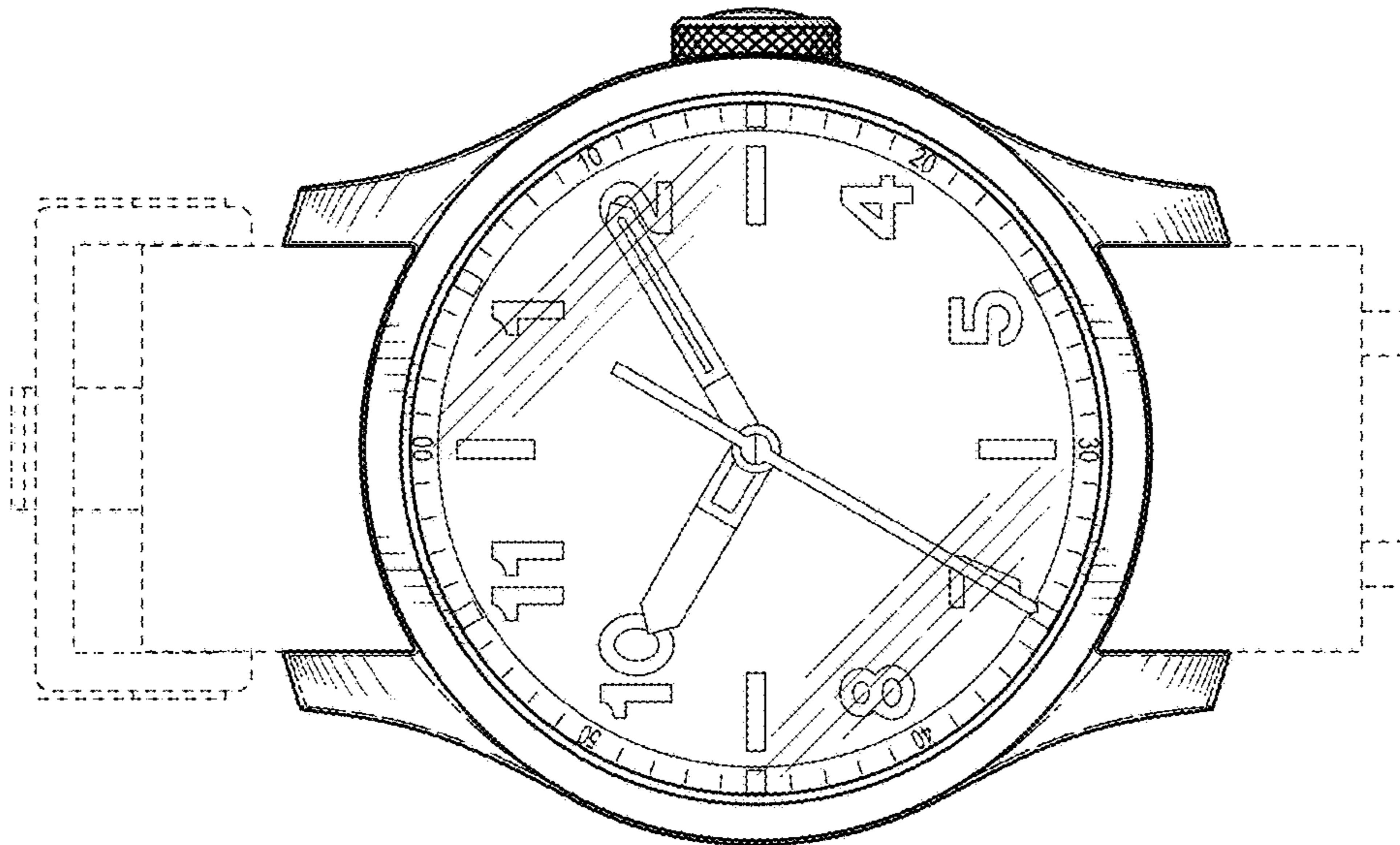


FIG. 6