



US00D811893S

(12) **United States Design Patent**  
**Bandawat**

(10) **Patent No.:** **US D811,893 S**

(45) **Date of Patent:** **\*\* Mar. 6, 2018**

(54) **PERSONAL COOLING APPARATUS**

(71) Applicant: **Misty Mate, Inc.**, Scottsdale, AZ (US)

(72) Inventor: **David Bandawat**, Los Angeles, CA (US)

(73) Assignee: **MISTY MATE, INC.**, Scottsdale, AZ (US)

(\*\*) Term: **15 Years**

(21) Appl. No.: **29/588,603**

(22) Filed: **Dec. 21, 2016**

(51) **LOC (11) Cl.** ..... **09-01**

(52) **U.S. Cl.**  
USPC ..... **D9/682**; D9/684; D9/686; D23/225;  
D23/328

(58) **Field of Classification Search**  
USPC ..... D9/682-694, 715, 719, 722, 737, 738,  
D9/739, 741, 742, 745, 751, 753, 754,  
D9/763, 767, 772-780, 500-505, 516,  
D9/517, 520-543, 549-575, 723-729,  
D9/434-436, 443, 444, 445, 447, 448,  
D9/449, 455; D23/223, 225, 226, 314,  
D23/328, 332, 333, 341

CPC ..... B65D 23/001; B65D 23/003; B65D  
23/0885; B65D 23/104; B65D 83/14;  
B65D 83/16; B65D 83/20; B65D 83/201;  
B65D 83/202; B65D 83/205; B65D  
83/206; B65D 83/207; B65D 83/36;  
B65D 83/38; B65D 83/384; B65D  
83/386; B65D 83/388; B65D 83/68;  
B65D 83/72; B65D 83/74; B65D 83/75;  
B05B 11/0037; B05B 11/0054; B05B  
11/0056; B05B 11/0059; B05B 11/0078;  
B05B 11/0097; B05B 9/047; B05B

9/0816; B05B 9/0827; B05B 9/0838;  
B05B 15/061; F24F 6/14; F24F 2006/146  
See application file for complete search history.

(56) **References Cited**

U.S. PATENT DOCUMENTS

1,246,213	A	11/1917	Zawels et al.	
1,935,688	A	6/1930	Wilbur	
2,091,735	A	12/1936	Jepson	
D202,002	S *	8/1965	Douglas	D9/541
3,756,472	A *	9/1973	Vos	B65D 83/205 222/189.06
D229,548	S *	12/1973	Kranz	D9/502
4,154,401	A	5/1979	Thompson	
4,165,025	A *	8/1979	Mascia	B05B 9/0822 222/401

(Continued)

*Primary Examiner* — Catherine A Tuttle

(74) *Attorney, Agent, or Firm* — Quarles and Brady LLP

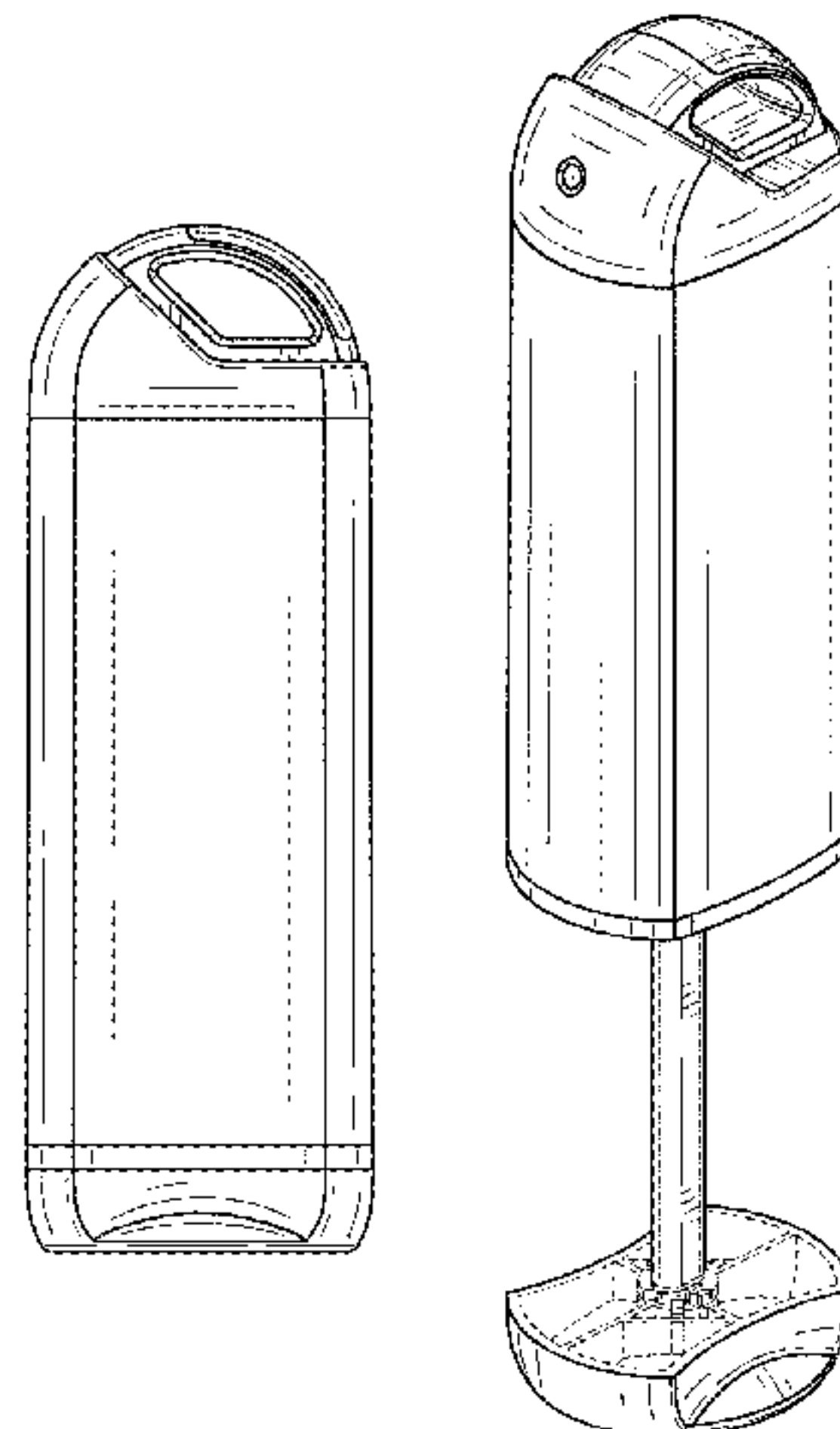
(57) **CLAIM**

The ornamental design for a personal cooling apparatus, as shown and described.

**DESCRIPTION**

FIG. 1 is a top, front, left isometric view showing my new design for a personal cooling apparatus wherein the bottom-operated handle is shown in a retracted position; FIG. 2 is a bottom, front, left isometric view of FIG. 1; FIG. 3 is a front elevational view of FIG. 1; FIG. 4 is a rear elevational view of FIG. 1; FIG. 5 is a left elevational view of FIG. 1; FIG. 6 is a right elevational view of FIG. 1; FIG. 7 is a top plan view of FIG. 1; FIG. 8 is a bottom plan view of FIG. 1; FIG. 9 is a top, front, left isometric view showing the design with its handle in an extended position; FIG. 10 is a bottom, front, left isometric view of FIG. 9; and, FIG. 11 is a right elevational view of FIG. 9.

(Continued)



The broken lines are included for the purpose of illustrating the portions of the personal cooling apparatus that form no part of the claimed design.

**1 Claim, 5 Drawing Sheets**

(56)

**References Cited**

U.S. PATENT DOCUMENTS

4,424,920 A \* 1/1984 Tada ..... B65D 83/205  
222/153.07  
D279,166 S \* 6/1985 Tada ..... D9/692  
4,606,477 A 8/1986 Spengler et al.  
D306,965 S \* 4/1990 Jaworski ..... D9/500  
D315,292 S \* 3/1991 Seager ..... D9/688  
5,267,674 A 12/1993 Schuckmann  
5,335,855 A 8/1994 Borod  
5,535,951 A 7/1996 Utter  
5,620,140 A 4/1997 Utter  
D379,429 S \* 5/1997 Weiss ..... D9/447  
D386,687 S \* 11/1997 Fitten ..... D9/501  
5,749,502 A 5/1998 Hinds  
5,775,590 A 7/1998 Utter  
D405,005 S \* 2/1999 Lifshay ..... D9/529  
5,967,415 A 10/1999 Utter  
D434,840 S \* 12/2000 Schaefer ..... D23/328  
6,161,777 A \* 12/2000 Carter ..... A45F 3/16  
222/129

6,402,056 B1 6/2002 Lin  
D618,113 S 6/2010 Bandawat et al.  
D643,092 S \* 8/2011 Bandawat ..... F24F 6/14  
D23/202  
8,070,140 B2 12/2011 Bandawat et al.  
D663,208 S \* 7/2012 Jenkins ..... D9/503  
D675,100 S \* 1/2013 Herbst ..... D7/511  
D697,424 S \* 1/2014 Adams ..... B65D 83/205  
D9/445  
D700,060 S \* 2/2014 Trevisan ..... D9/688  
D767,337 S \* 9/2016 Boroski ..... D7/510  
2004/0206782 A1 \* 10/2004 Salamini ..... B05B 11/0048  
222/383.1  
2004/0262329 A1 12/2004 Byron  
2005/0145722 A1 \* 7/2005 Wang ..... B05B 9/0838  
239/323  
2007/0138121 A1 \* 6/2007 Stribling ..... A47G 19/2272  
215/11.4  
2013/0153530 A1 \* 6/2013 Boukobaz ..... B65D 1/0261  
215/376  
2014/0014740 A1 \* 1/2014 Sands ..... B05B 3/022  
239/289  
2014/0048564 A1 \* 2/2014 An ..... B05B 11/0037  
222/382  
2014/0339273 A1 \* 11/2014 Nickel ..... B65D 83/384  
224/148.4  
2017/0045246 A1 \* 2/2017 Kaleta ..... F24F 6/14  
2017/0072769 A1 \* 3/2017 Quest ..... B60H 1/00585

\* cited by examiner

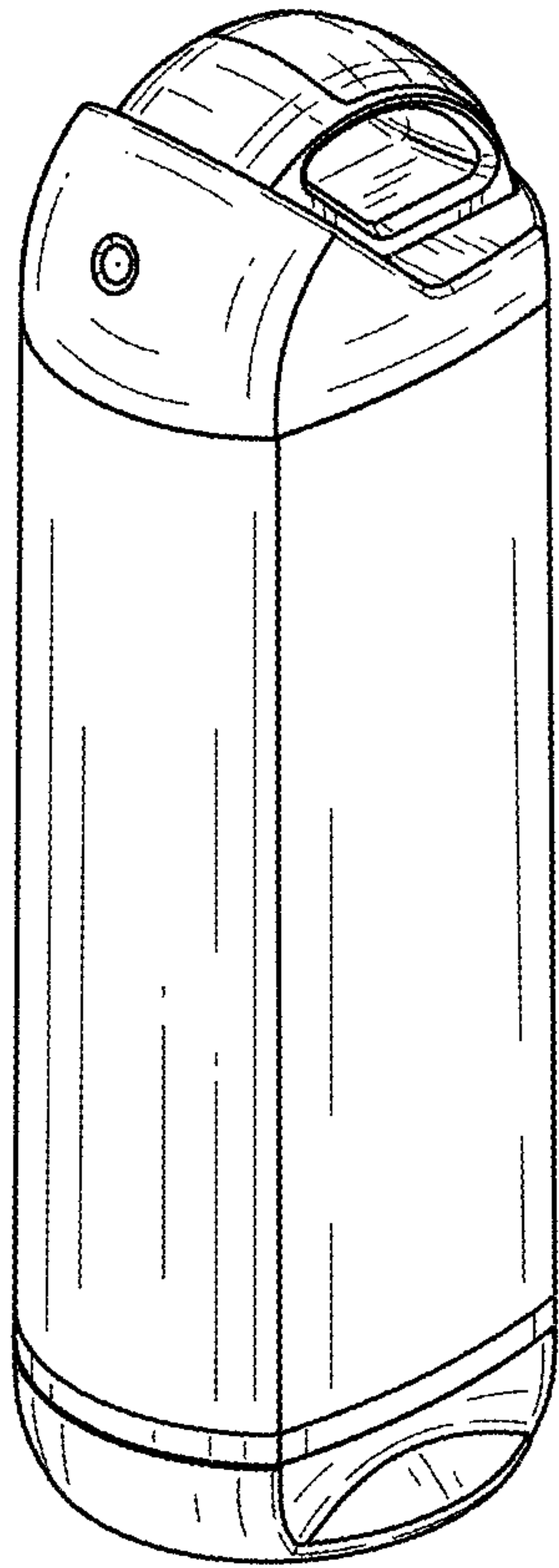


FIG. 1

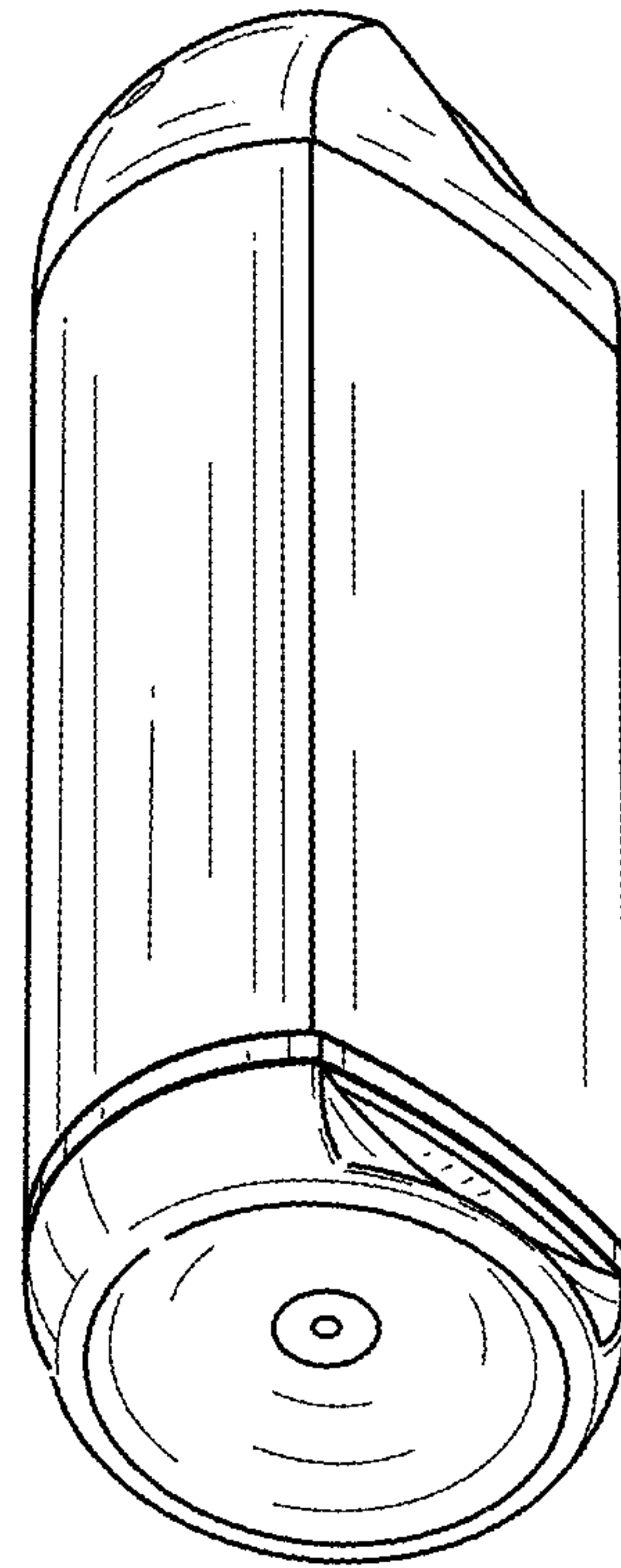


FIG. 2

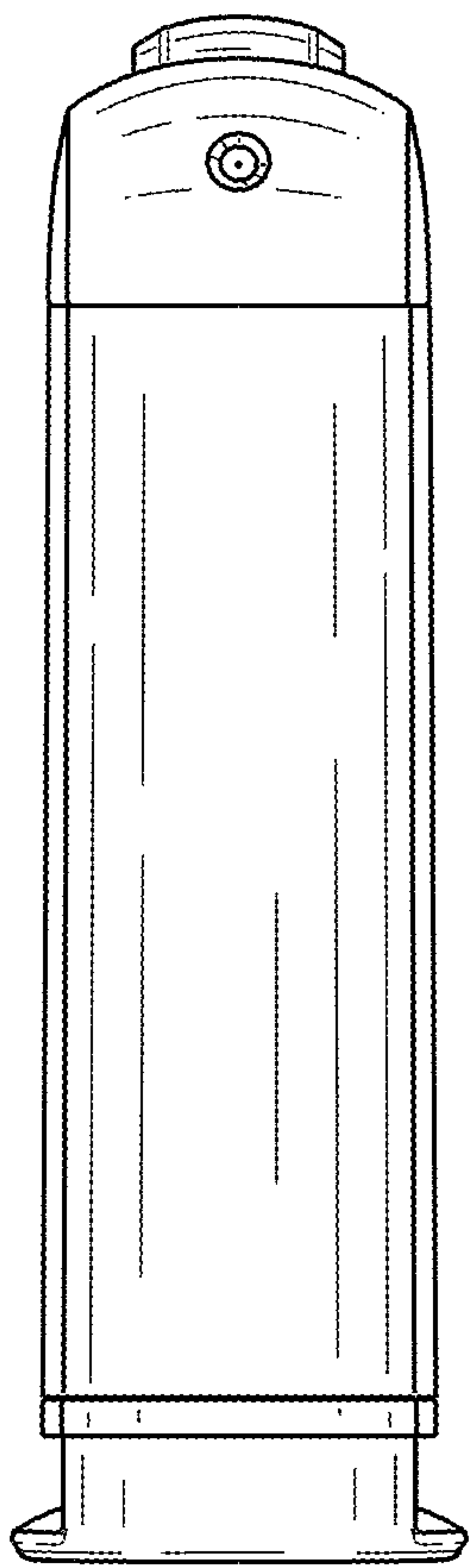


FIG. 3

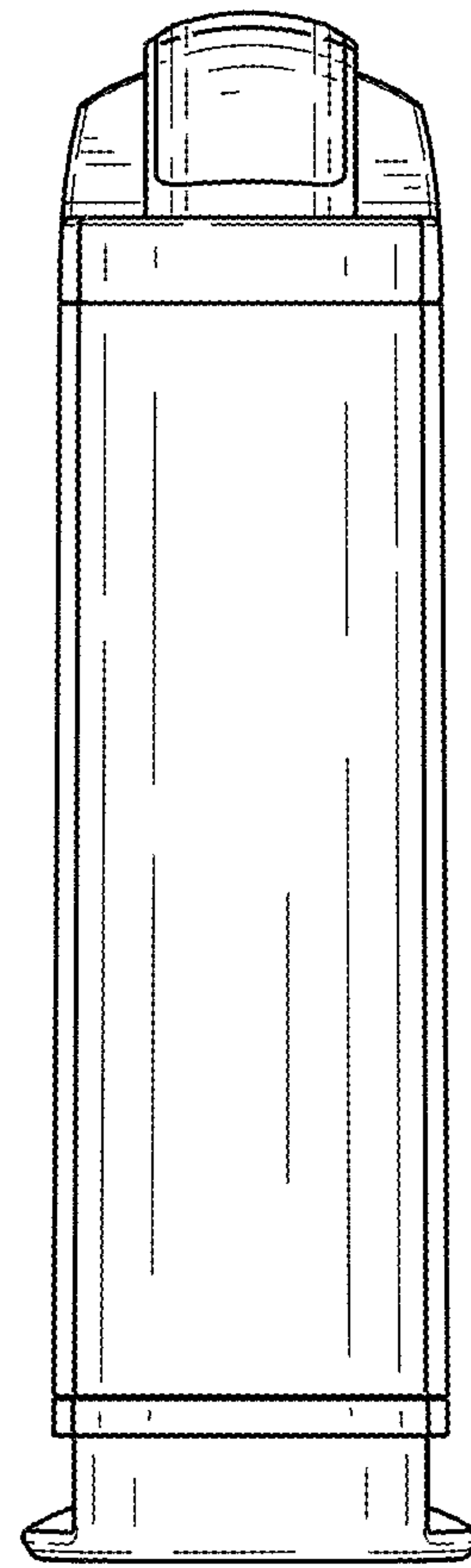


FIG. 4



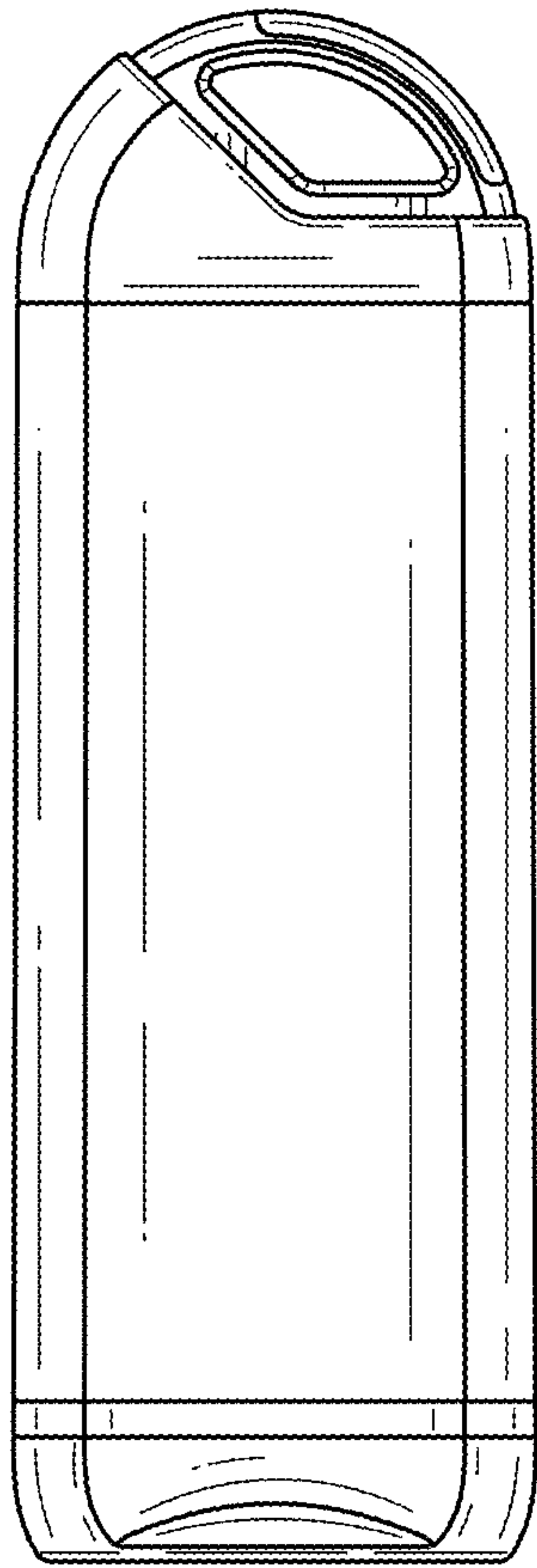


FIG. 5

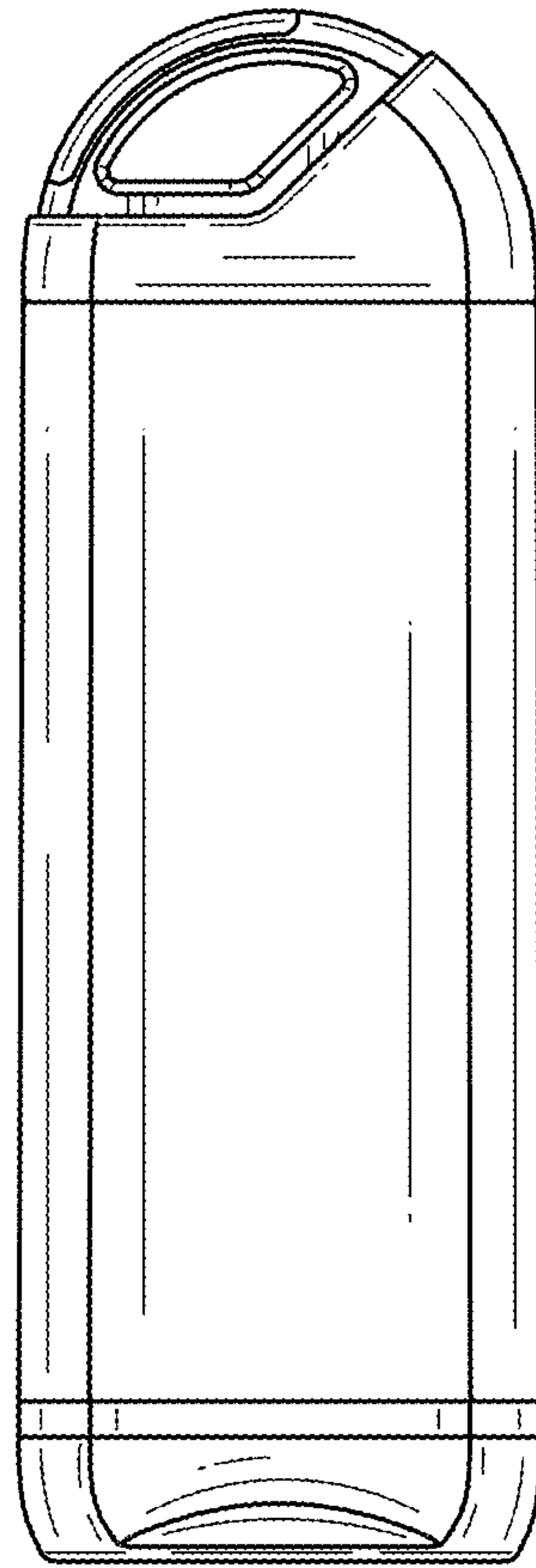


FIG. 6

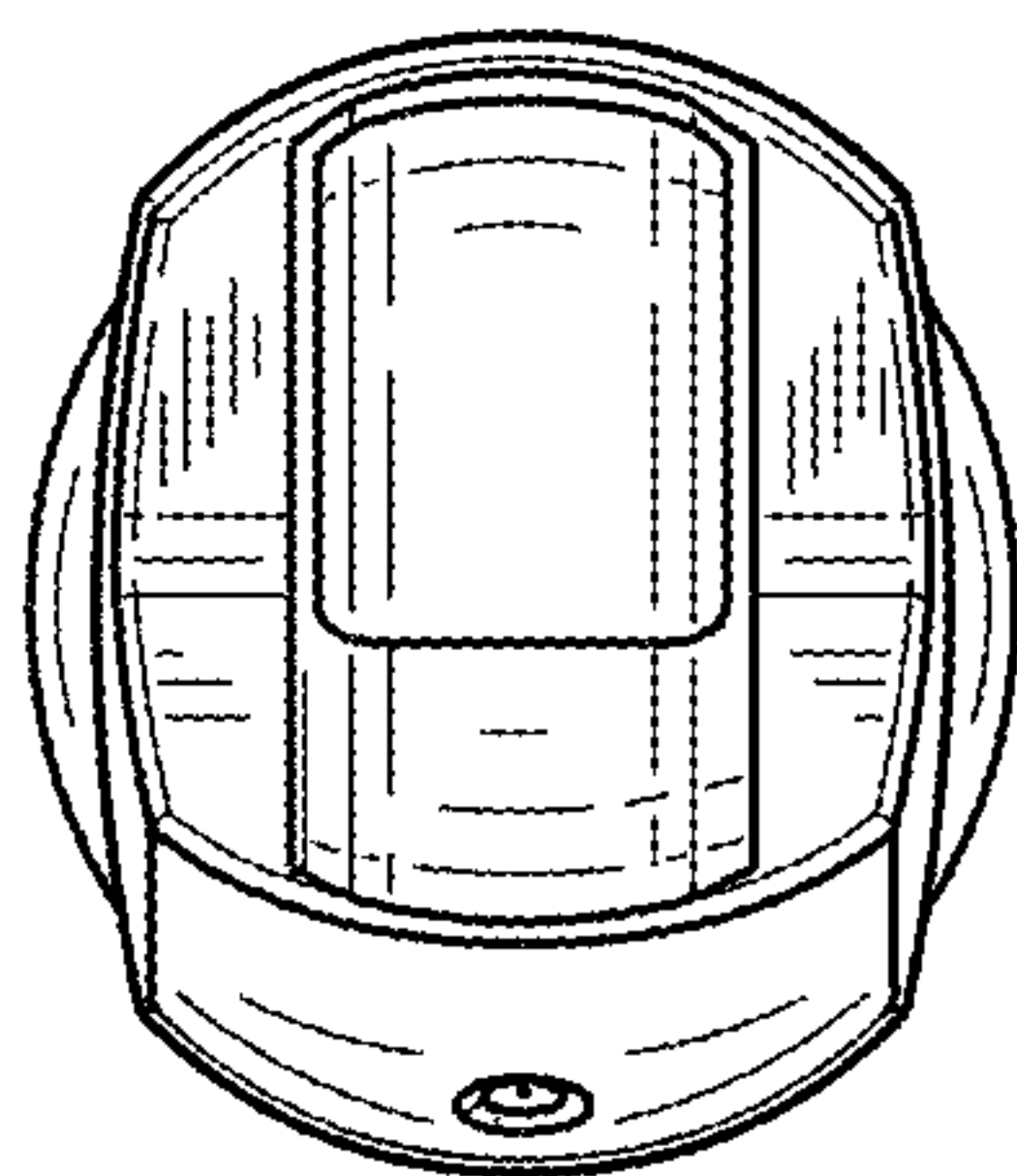


FIG. 7

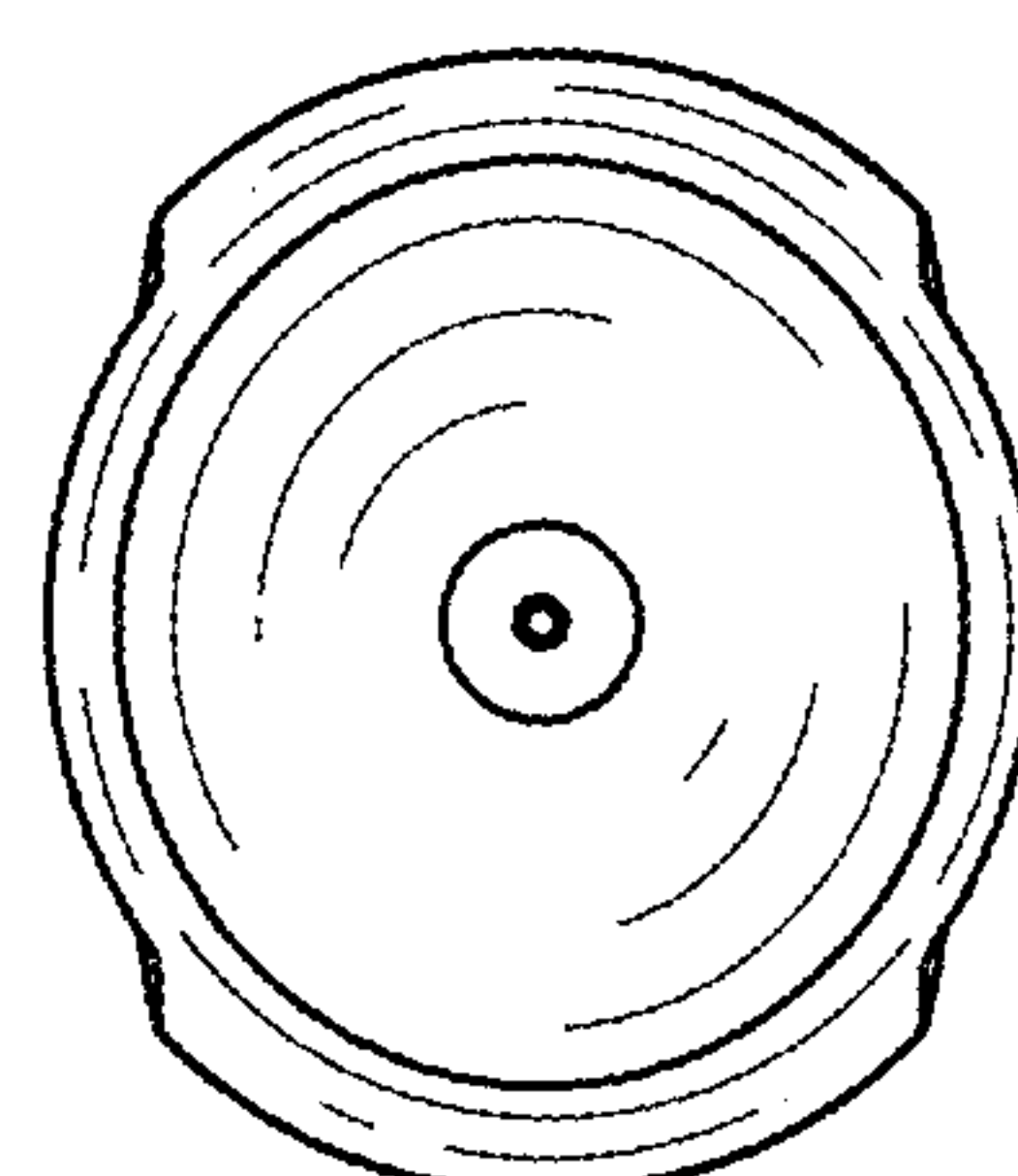


FIG. 8

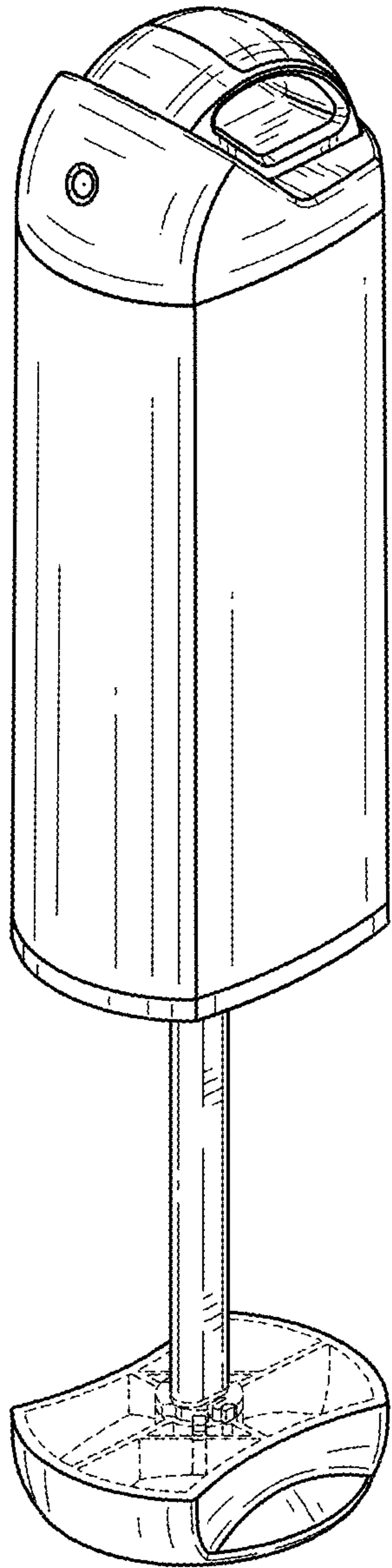


FIG. 9

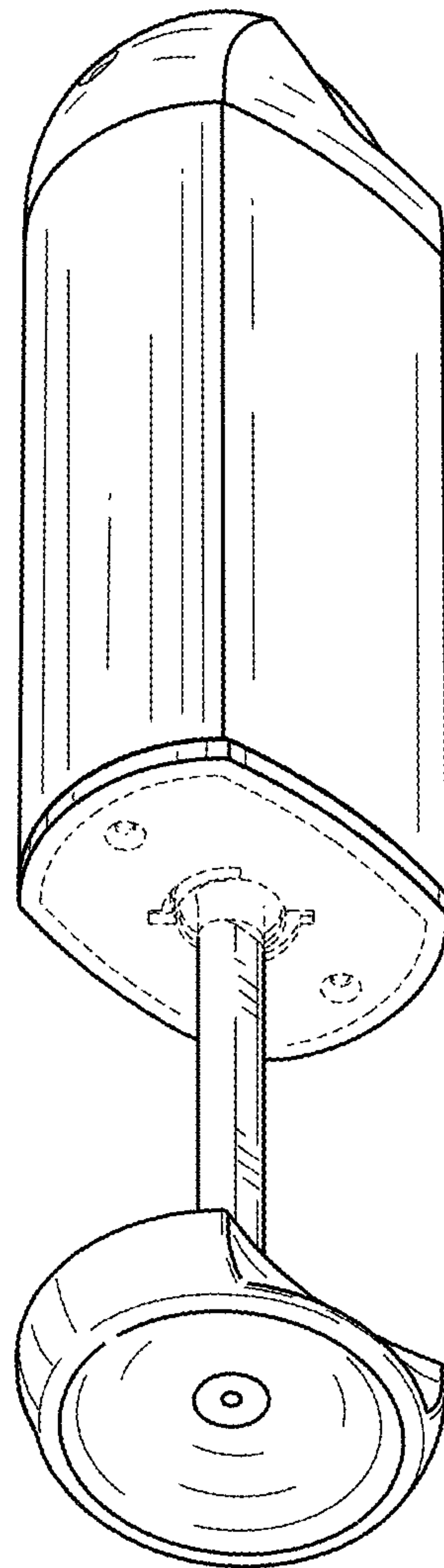


FIG. 10

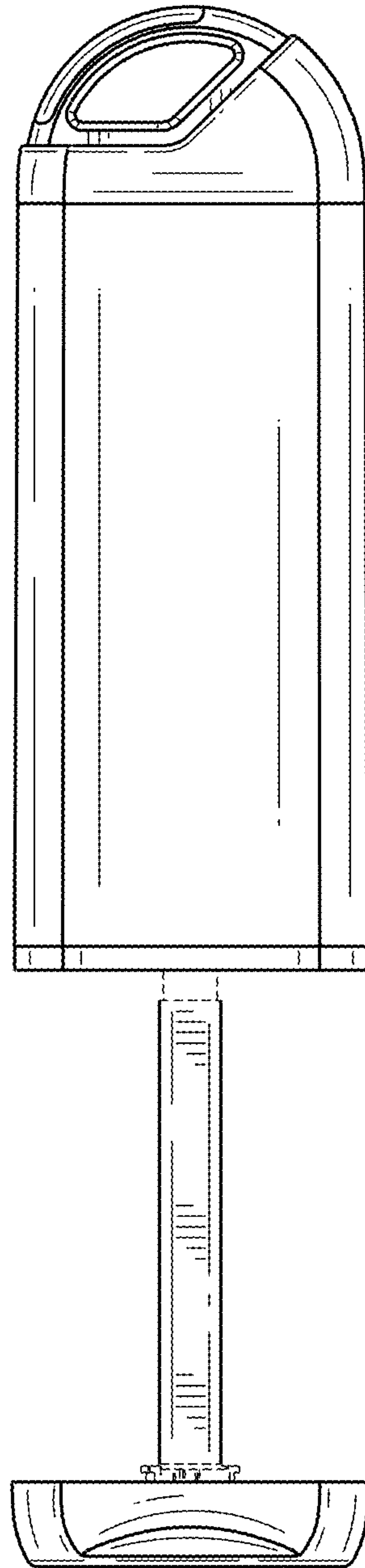


FIG. 11