



US00D811889S

(12) **United States Design Patent**
Cheng

(10) **Patent No.:** **US D811,889 S**
(45) **Date of Patent:** **** Mar. 6, 2018**

- (54) **BOTTLE**
- (71) Applicant: **Zhejiang Haoqi Ind. and Trade Co., Ltd., Yongkang (CN)**
- (72) Inventor: **Yongyang Cheng, Yongkang (CN)**
- (73) Assignee: **Zhejiang Haoqi Ind. and Trade Co., Ltd., Yongkang (CN)**
- (**) Term: **15 Years**
- (21) Appl. No.: **29/595,556**
- (22) Filed: **Feb. 28, 2017**
- (51) **LOC (11) Cl.** **09-01**
- (52) **U.S. Cl.**
USPC **D9/540; D9/500; D9/520; D9/539**
- (58) **Field of Classification Search**
USPC D9/500, 502-504, 520, 530, 537-540,
D9/549, 556, 558, 715, 719
CPC B65D 1/00; B65D 1/02; B65D 1/0223;
B65D 23/00; B65D 81/00; B65D
2501/00; B65D 2501/0009
See application file for complete search history.

D642,469 S *	8/2011	Lauret	D9/500
D695,614 S *	12/2013	Crowe	D9/500
D699,111 S *	2/2014	Jeong	D9/504
D702,131 S *	4/2014	Handy	D9/691
D704,557 S *	5/2014	Hamill	D9/500
D745,398 S *	12/2015	Cotton	D9/500
D758,206 S *	6/2016	Hoeke	D9/500

* cited by examiner

Primary Examiner — Dana L Meyrow

(74) *Attorney, Agent, or Firm* — Stetina Brunda Garred and Brucker

(57) **CLAIM**

The ornamental design for a bottle, as shown and described.

DESCRIPTION

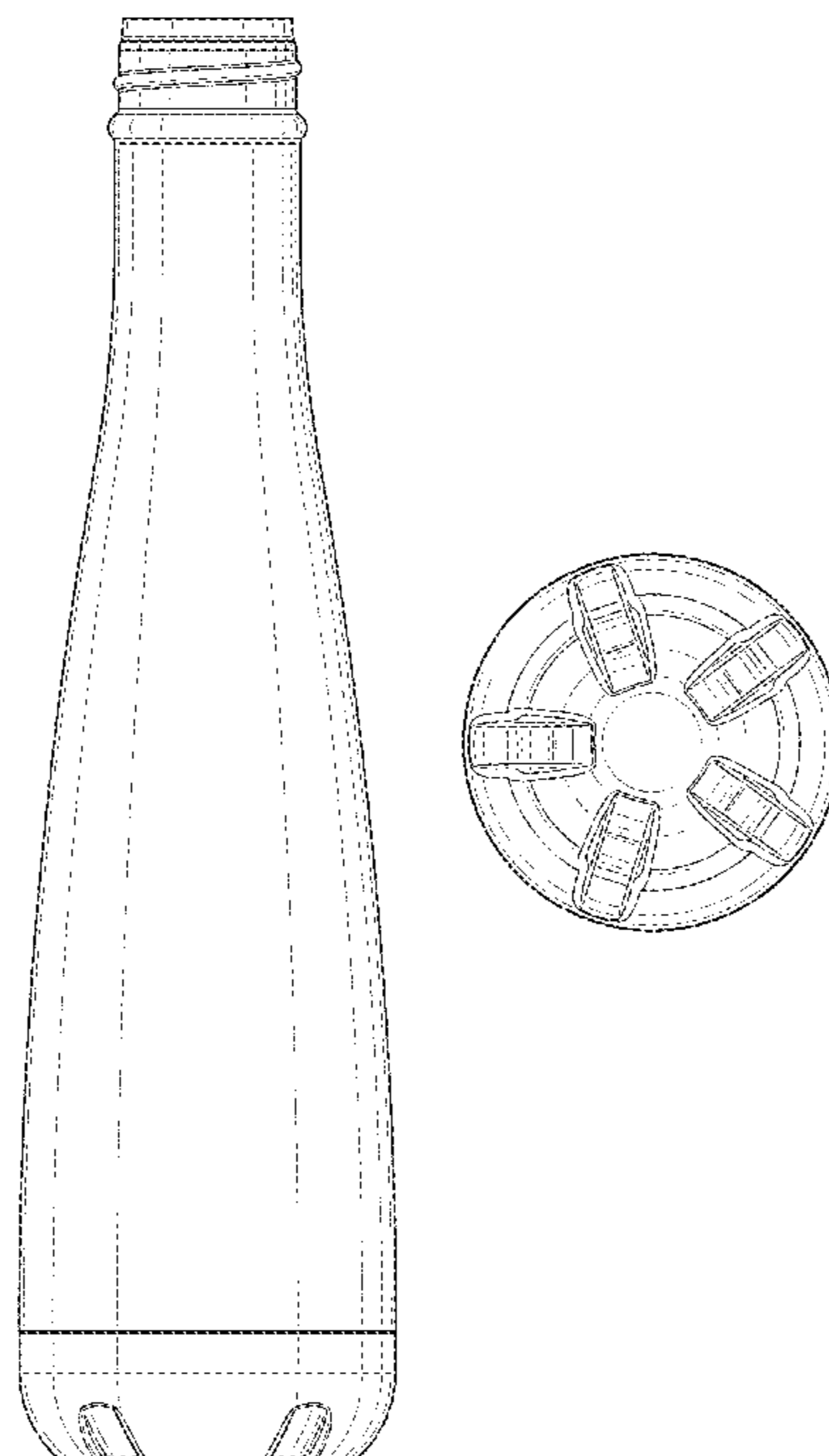
FIG. 1 is a perspective view of the bottle of the present invention showing our new design;
 FIG. 2 is a front view of the bottle shown in FIG. 1;
 FIG. 3 is a rear view of the bottle shown in FIG. 1;
 FIG. 4 is a left view of the bottle shown in FIG. 1;
 FIG. 5 is a right view of the bottle shown in FIG. 1;
 FIG. 6 is a top view of the bottle shown in FIG. 1;
 FIG. 7 is a bottom view of the bottle shown in FIG. 1; and,
 FIG. 8 is a cross-section view of the bottle of FIG. 1 taken along the line 8-8 in FIG. 2, shown at an enlarged scale.
 The evenly-dashed broken lines in the drawings illustrate the portions of the bottle that form no part of the claim. The short dash-long dash broken line in FIG. 2 is to indicate the location in which the cross-section view has been taken and also forms no part of the claim.

1 Claim, 7 Drawing Sheets

(56) **References Cited**

U.S. PATENT DOCUMENTS

D269,499 S *	6/1983	Rafart	D9/500
D276,697 S *	12/1984	Martini	D9/500
D390,467 S *	2/1998	Blackburn	D9/500
D446,694 S *	8/2001	Bodum	D7/679
D481,949 S *	11/2003	Pinnavaia	D9/500
D500,444 S *	1/2005	Drake	D9/503
D573,023 S *	7/2008	Pivert	D9/520
D584,157 S *	1/2009	Lepoitevin	D9/552
D596,942 S *	7/2009	Britto	D9/500



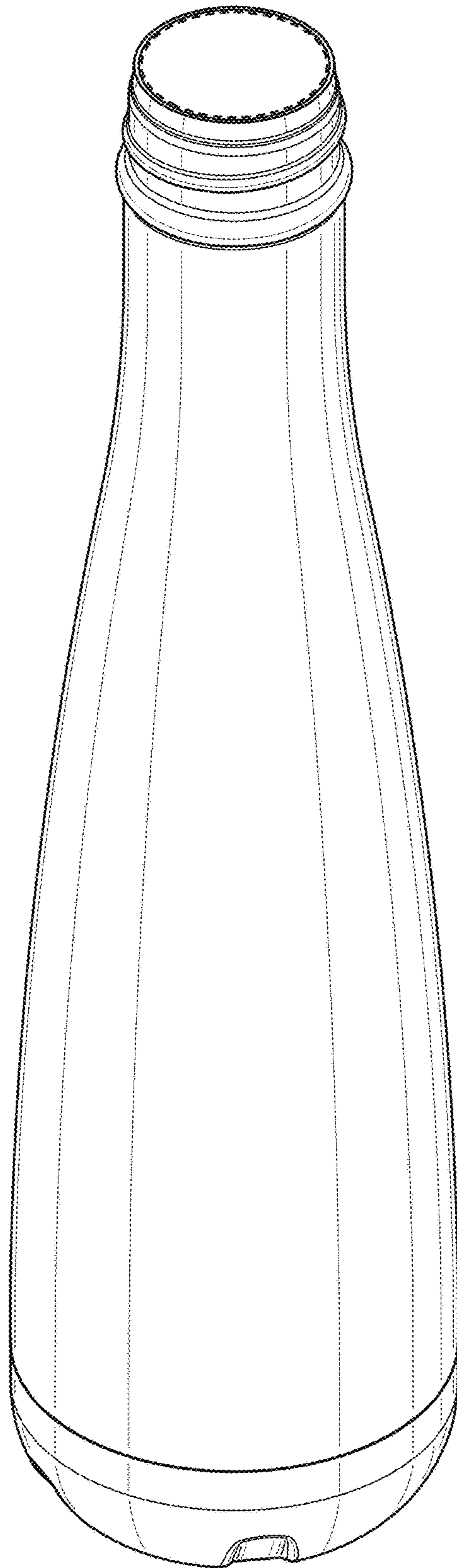


FIG. 1

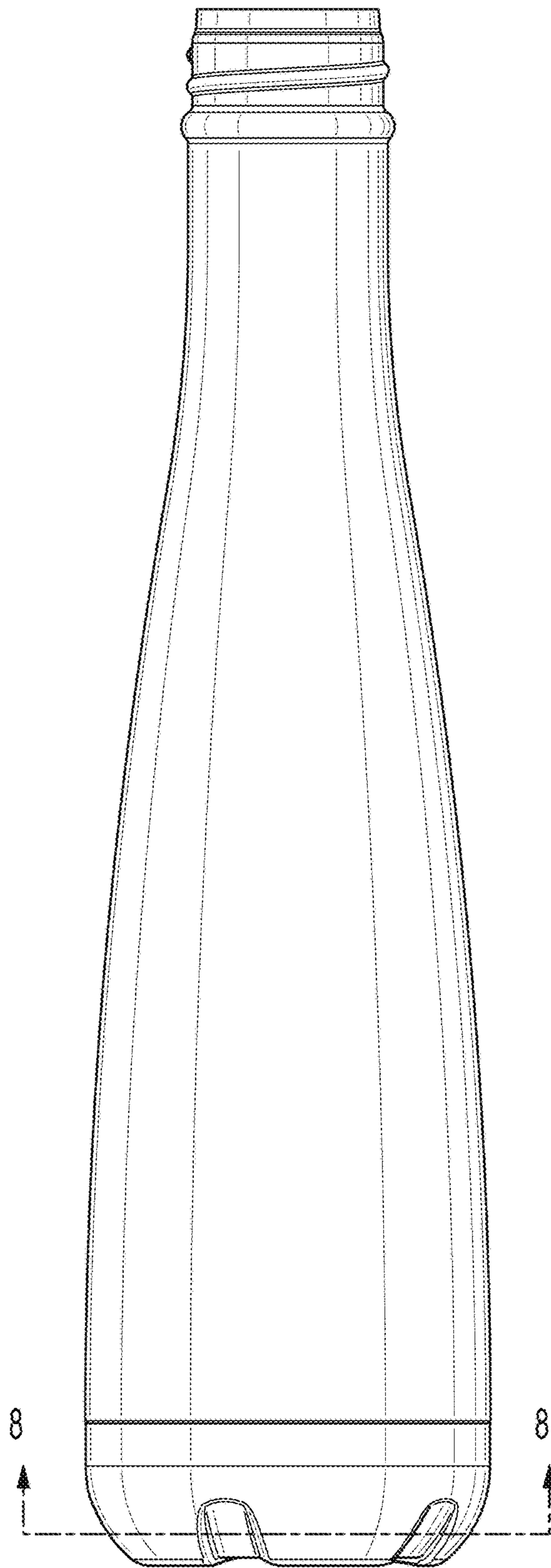


FIG. 2

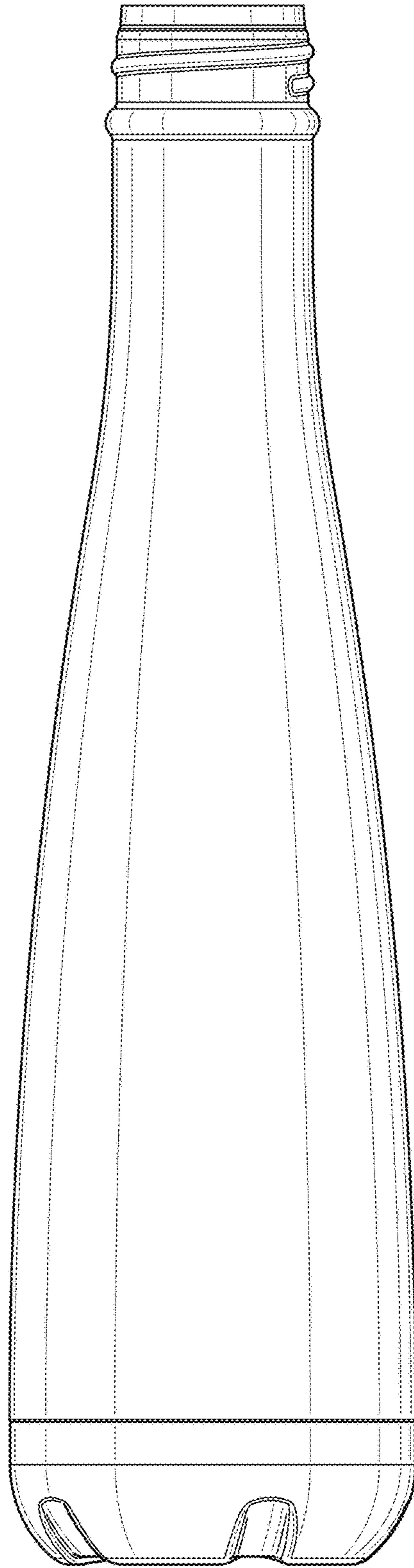


FIG. 3

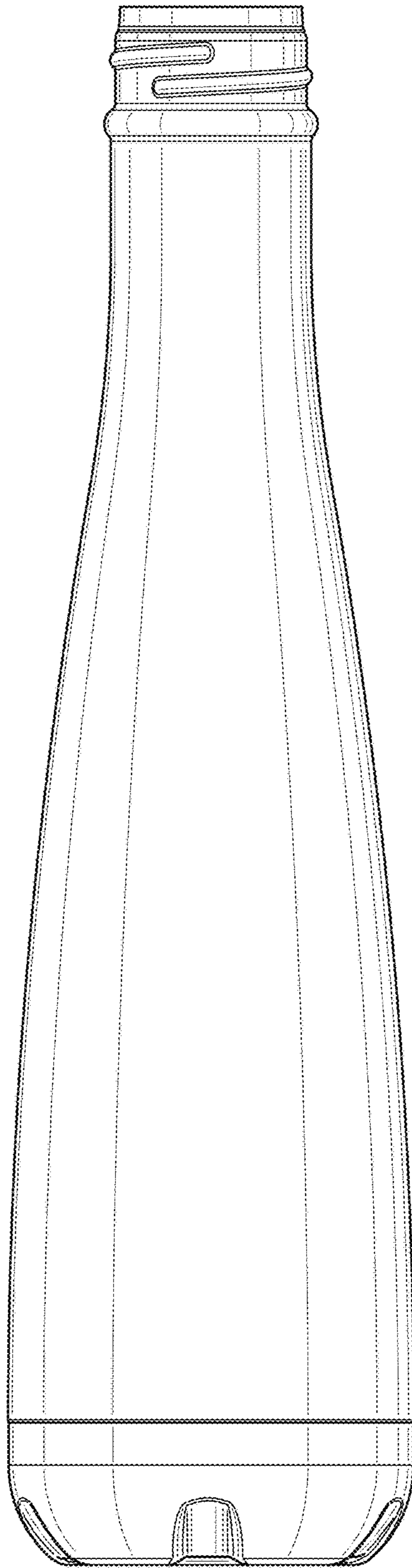


FIG. 4

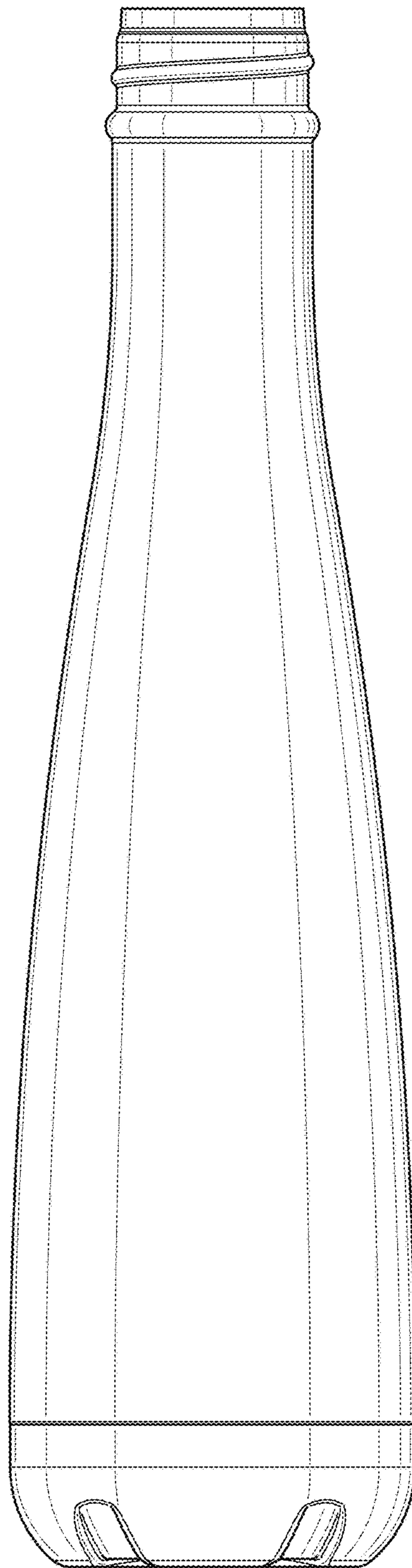


FIG. 5

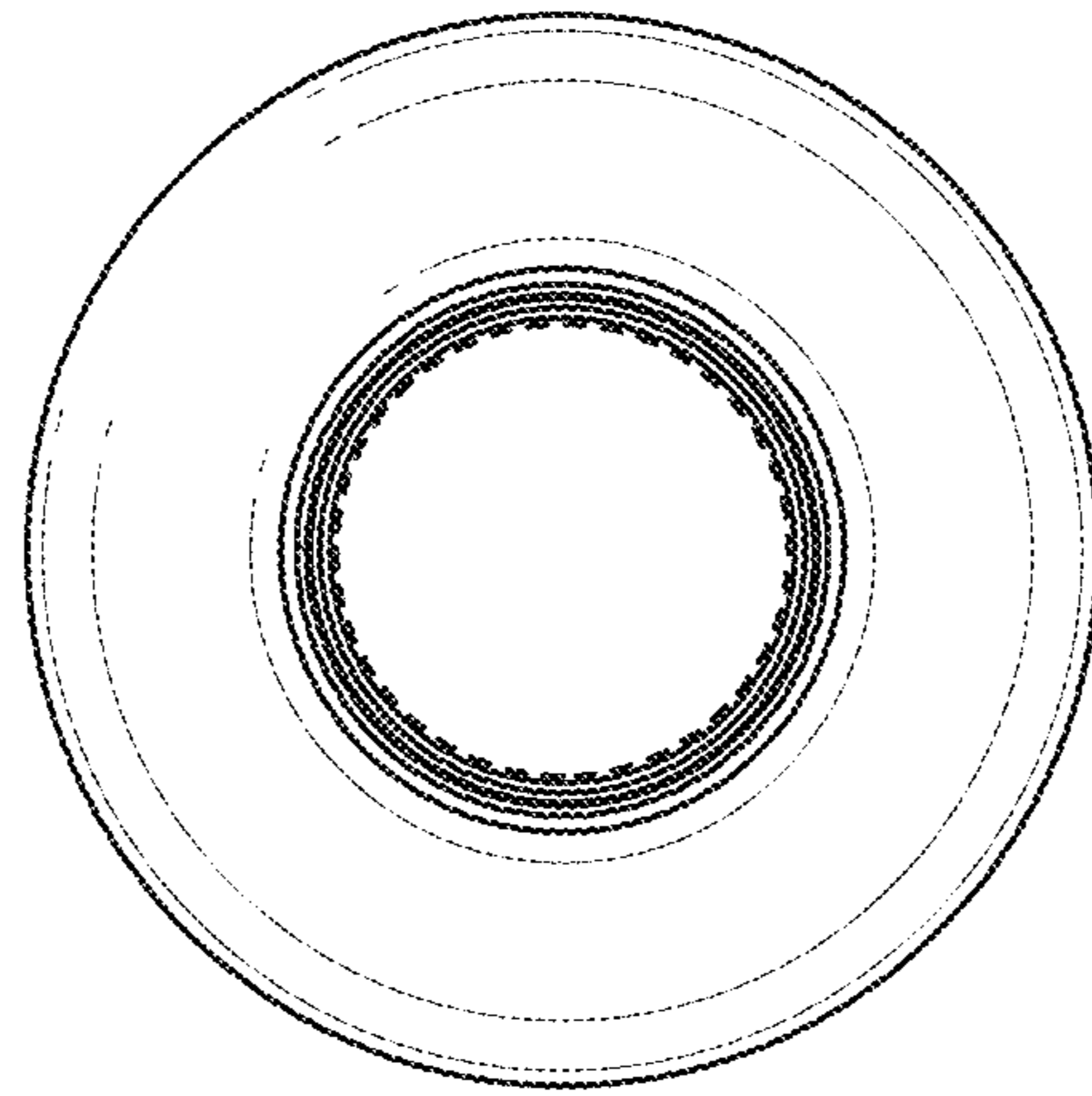


FIG. 6

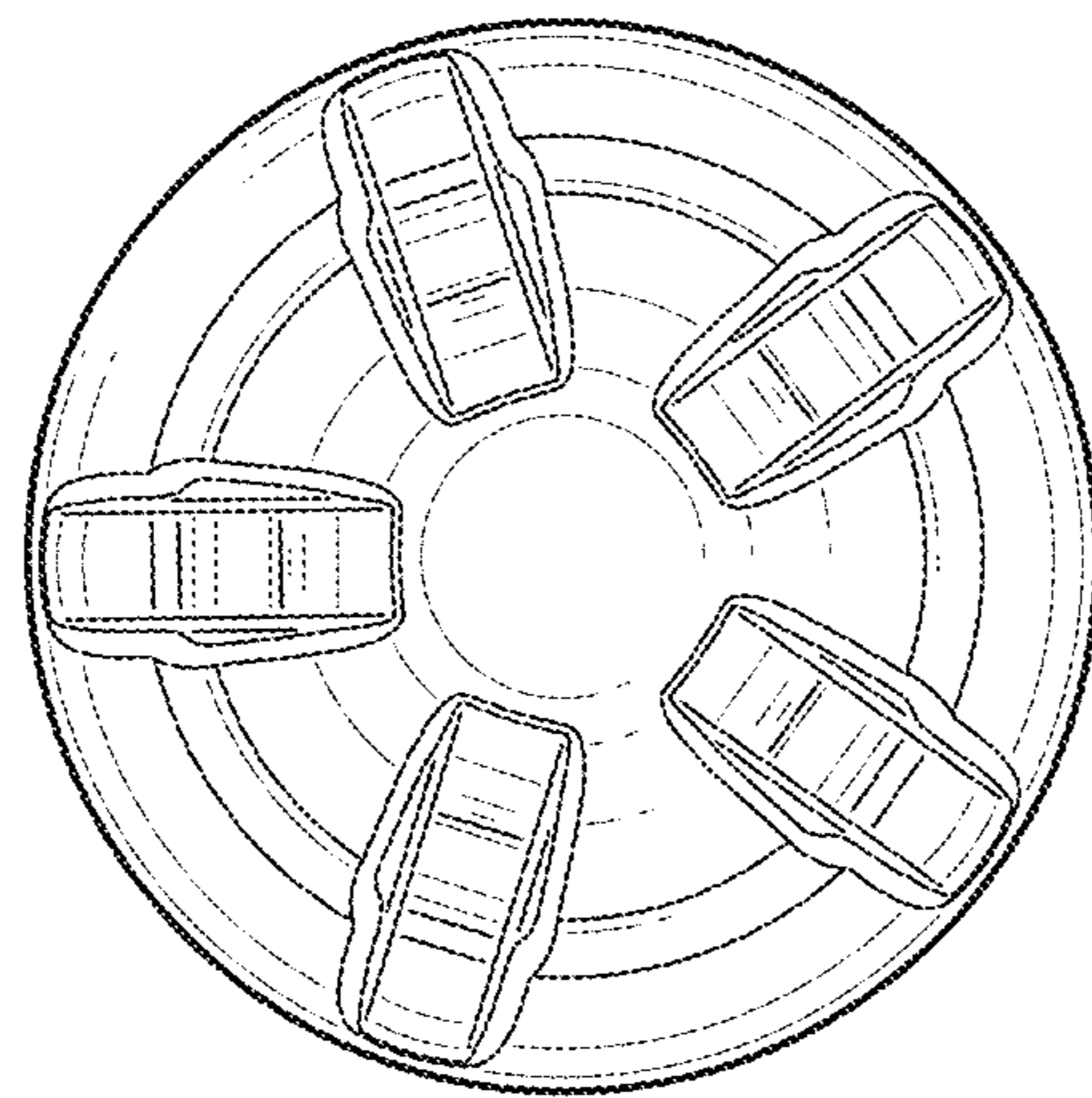


FIG. 7

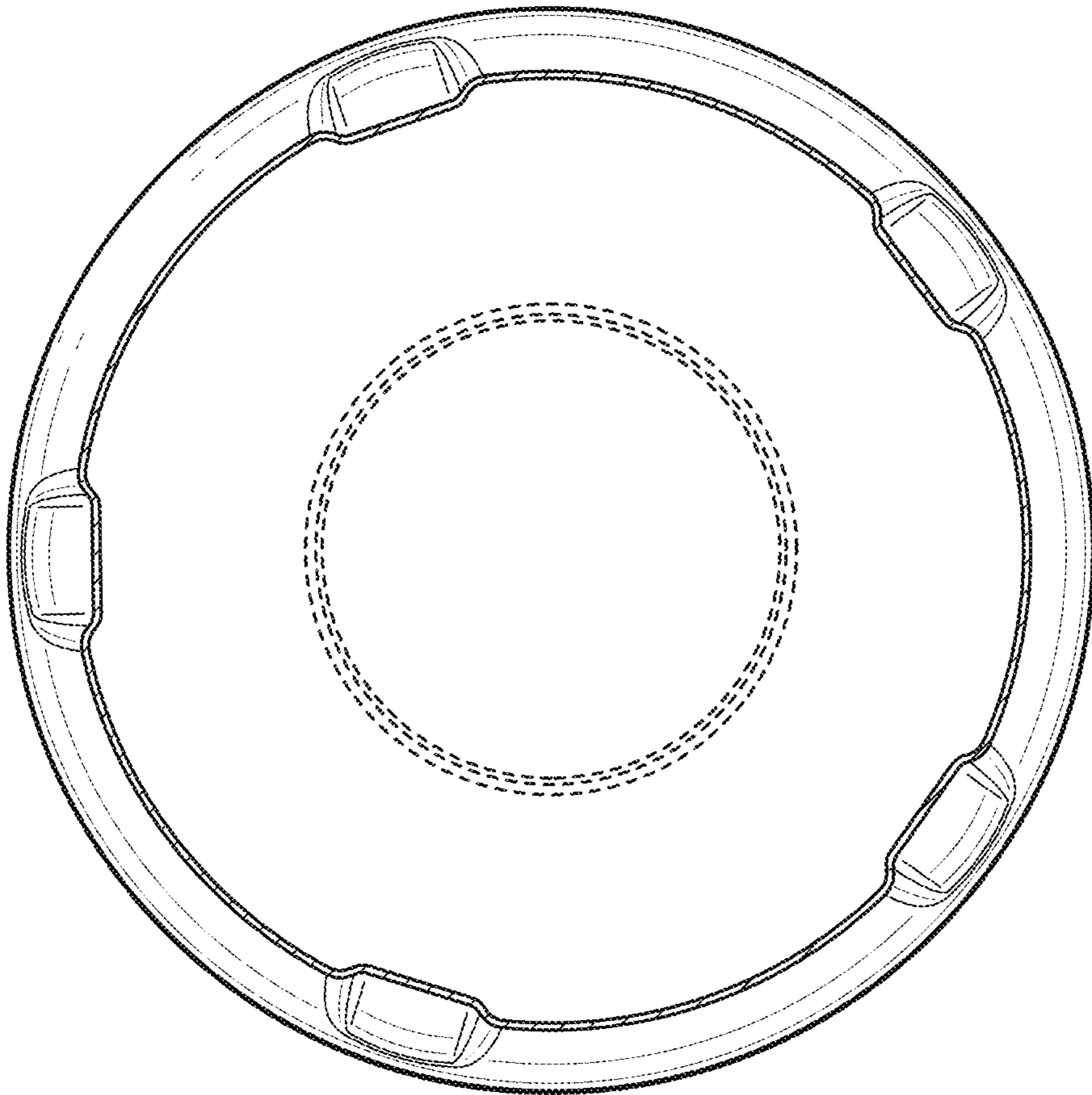


FIG. 8