



US00D811885S

(12) **United States Design Patent** (10) **Patent No.:** **US D811,885 S**
Sanguinet et al. (45) **Date of Patent:** **** Mar. 6, 2018**

- (54) **RIBBED CONTAINER**
- (71) Applicant: **Berlin Packaging, LLC**, Chicago, IL (US)
- (72) Inventors: **Andrew Sanguinet**, La Grange Park, IL (US); **Noah Wangerin**, Chicago, IL (US)
- (73) Assignee: **Berlin Packaging, LLC**, Chicago, IL (US)
- (**) Term: **15 Years**
- (21) Appl. No.: **29/594,985**
- (22) Filed: **Feb. 24, 2017**

Related U.S. Application Data

- (62) Division of application No. 29/514,970, filed on Jan. 19, 2015, now Pat. No. Des. 783,408.
- (51) **LOC (11) Cl.** **09-01**
- (52) **U.S. Cl.**
USPC **D9/523**; D9/566; D9/575
- (58) **Field of Classification Search**
USPC D9/516, 523, 528, 530, 536, 541, 543, D9/544, 546, 559, 560, 563, 566, D9/569-575, 715, 719, 520, 549, 550, D9/553, 557, 558; D7/619.1
CPC B65D 1/02; B65D 1/0207; B65D 1/0223; B65D 1/14; B65D 2501/0081
See application file for complete search history.

(56) **References Cited**

U.S. PATENT DOCUMENTS

D114,665 S	5/1939	Noble	
4,877,142 A	10/1989	Doering	
D419,077 S	1/2000	Sultan	
6,237,792 B1 *	5/2001	Skolnicki B65D 23/10
			215/365
D445,037 S	7/2001	Kokenge	

D449,539 S	10/2001	Lakatosh	
D484,056 S	12/2003	Wiper	
D497,554 S	10/2004	Le Bourg	
D501,405 S	2/2005	Feen	
D501,796 S *	2/2005	Crawford D9/523
D508,855 S	8/2005	Hasler	
D510,870 S	10/2005	Kelly	
D556,583 S	12/2007	Gurst	

(Continued)

OTHER PUBLICATIONS

Parent U.S. Appl. No. 29/514,970 Restriction Requirement, Jul. 29, 2016.

(Continued)

Primary Examiner — Ian Simmons
Assistant Examiner — Keith Frank
(74) *Attorney, Agent, or Firm* — Adam K. Sacharoff;
Much Shelist, P.C.

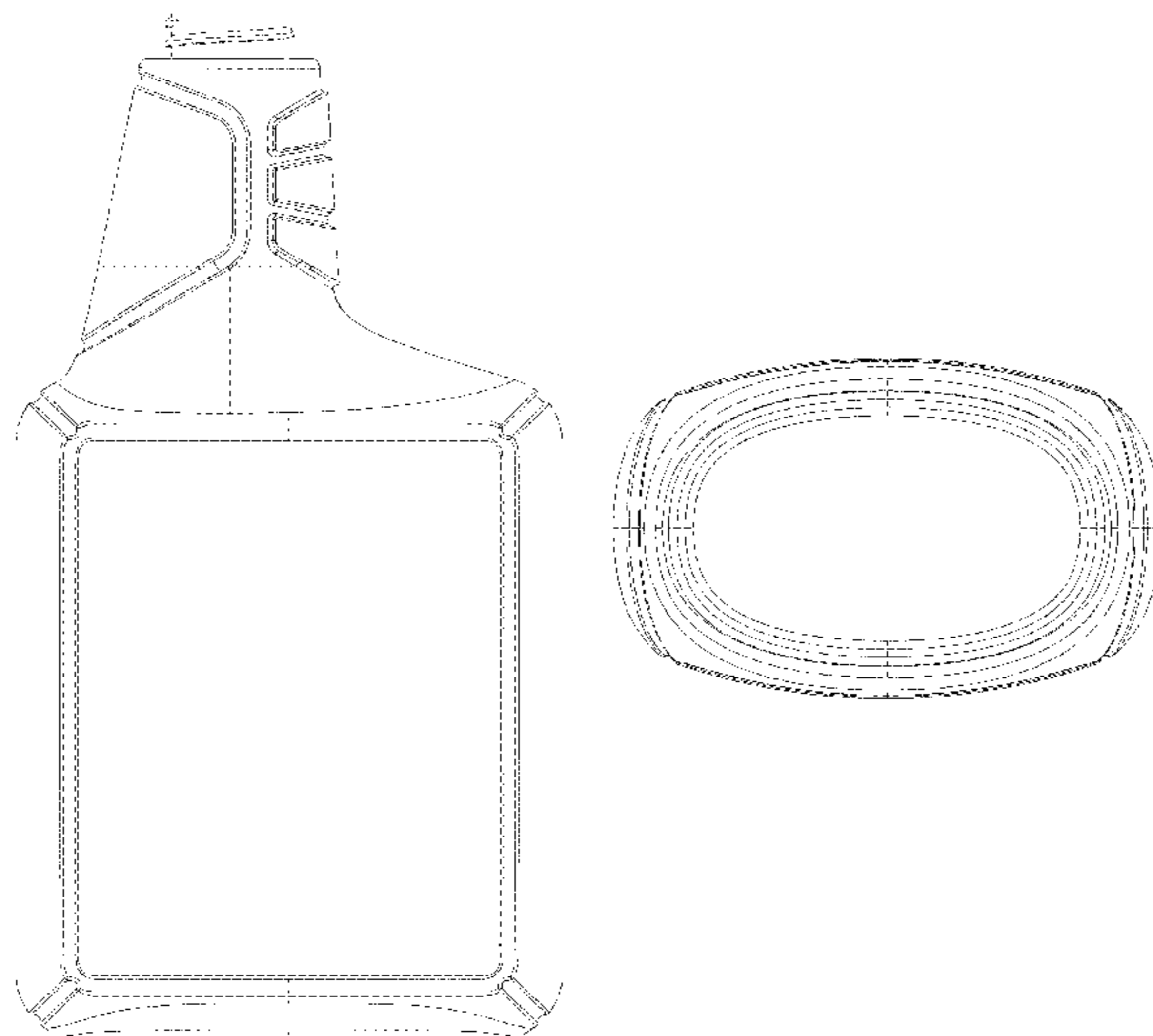
(57) **CLAIM**

The ornamental design for a ribbed container, as shown and described.

DESCRIPTION

FIG. 1 is a front side perspective view of a ribbed container showing our new design;
FIG. 2 is a rear side perspective view thereof;
FIG. 3 is a front rear side perspective view in an upside down configuration thereof;
FIG. 4 is a front elevation view thereof;
FIG. 5 is a rear elevation view thereof;
FIG. 6 is a left side view thereof;
FIG. 7 is a right side view thereof;
FIG. 8 is a top plan view thereof; and,
FIG. 9 is a bottom plan view thereof.
The broken lines in the drawings showing the ribbed container illustrate the portions of the ribbed container that form no part of the claimed design.

1 Claim, 9 Drawing Sheets



(56)

References Cited

U.S. PATENT DOCUMENTS

D563,227	S	3/2008	Feen	
D579,778	S	11/2008	De Gopegul	
D591,605	S	5/2009	Ungrady	
D595,579	S *	7/2009	Feen	D9/516
D598,772	S	8/2009	Yourist	
D600,561	S	9/2009	Feen	
D614,964	S	5/2010	Verdura	
D635,029	S *	3/2011	Warren	D9/523
D651,907	S *	1/2012	Dennis	D9/543
D653,961	S	2/2012	Johnston	
D659,544	S	5/2012	Labadle	
D663,626	S	7/2012	Berger	
D670,168	S	11/2012	Borger	
D681,470	S *	5/2013	Martel	D9/523
D691,053	S	10/2013	Garcia	
D722,882	S	2/2015	Castillo Higareda	
D732,962	S *	6/2015	Hawry	D9/523
D735,579	S	8/2015	Hawry	
D736,637	S *	8/2015	Castillo Higareda	D9/528
D751,407	S *	3/2016	Castillo Higareda	D9/516
D757,557	S	5/2016	Melms, Jr.	
D774,913	S *	12/2016	Schwartz	D9/543
D786,077	S *	5/2017	Chung	D23/211
D787,940	S *	5/2017	Yen	D9/523
D788,588	S *	6/2017	Heisner	D9/523

OTHER PUBLICATIONS

Parent U.S. Appl. No. 29/514,970 Office Action, Dec. 1, 2016.
Parent U.S. Appl. No. 29/514,970 Notice of Allowance, Jan. 5,
2017.

* cited by examiner

FIG. 1

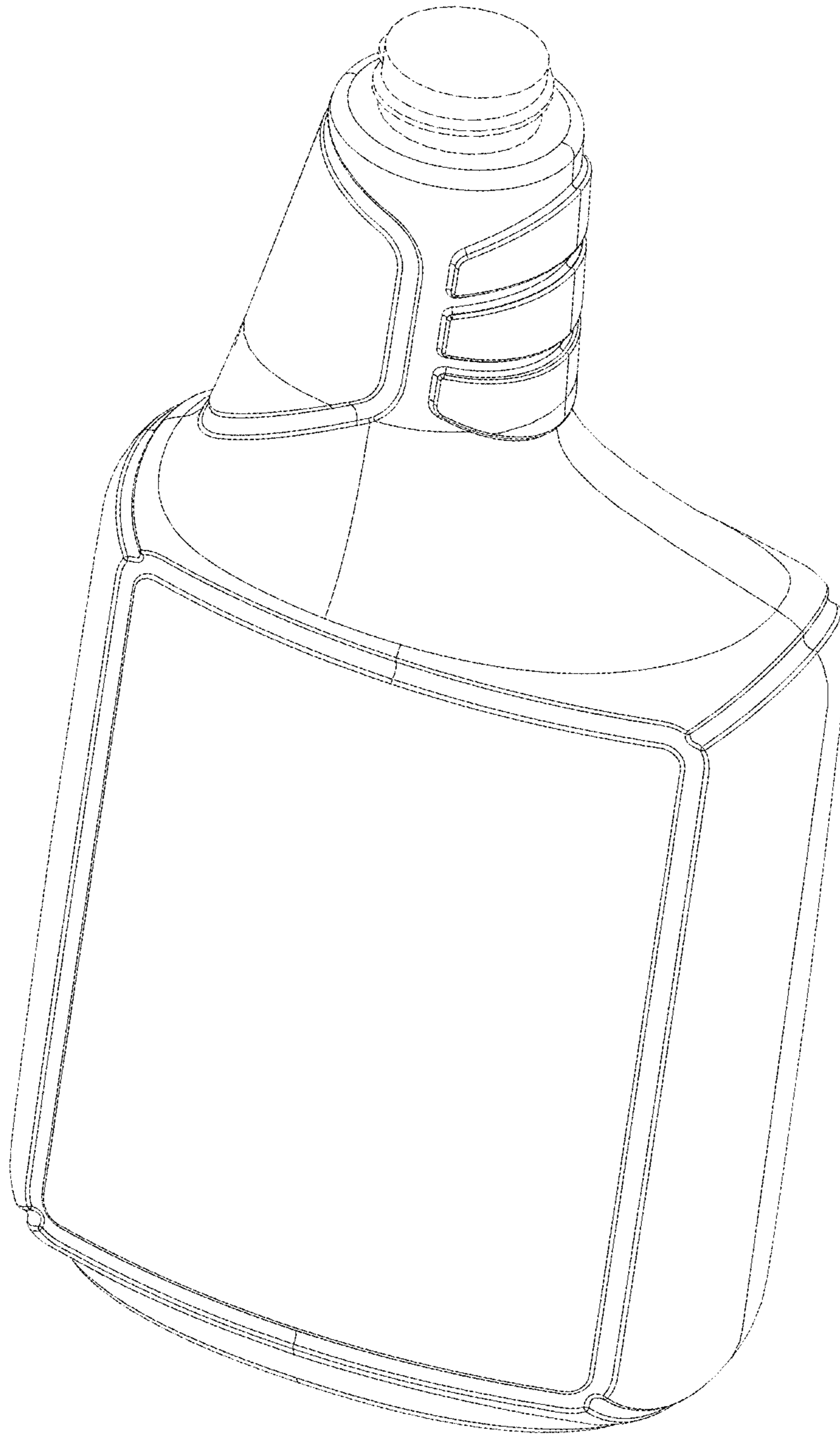


FIG. 2

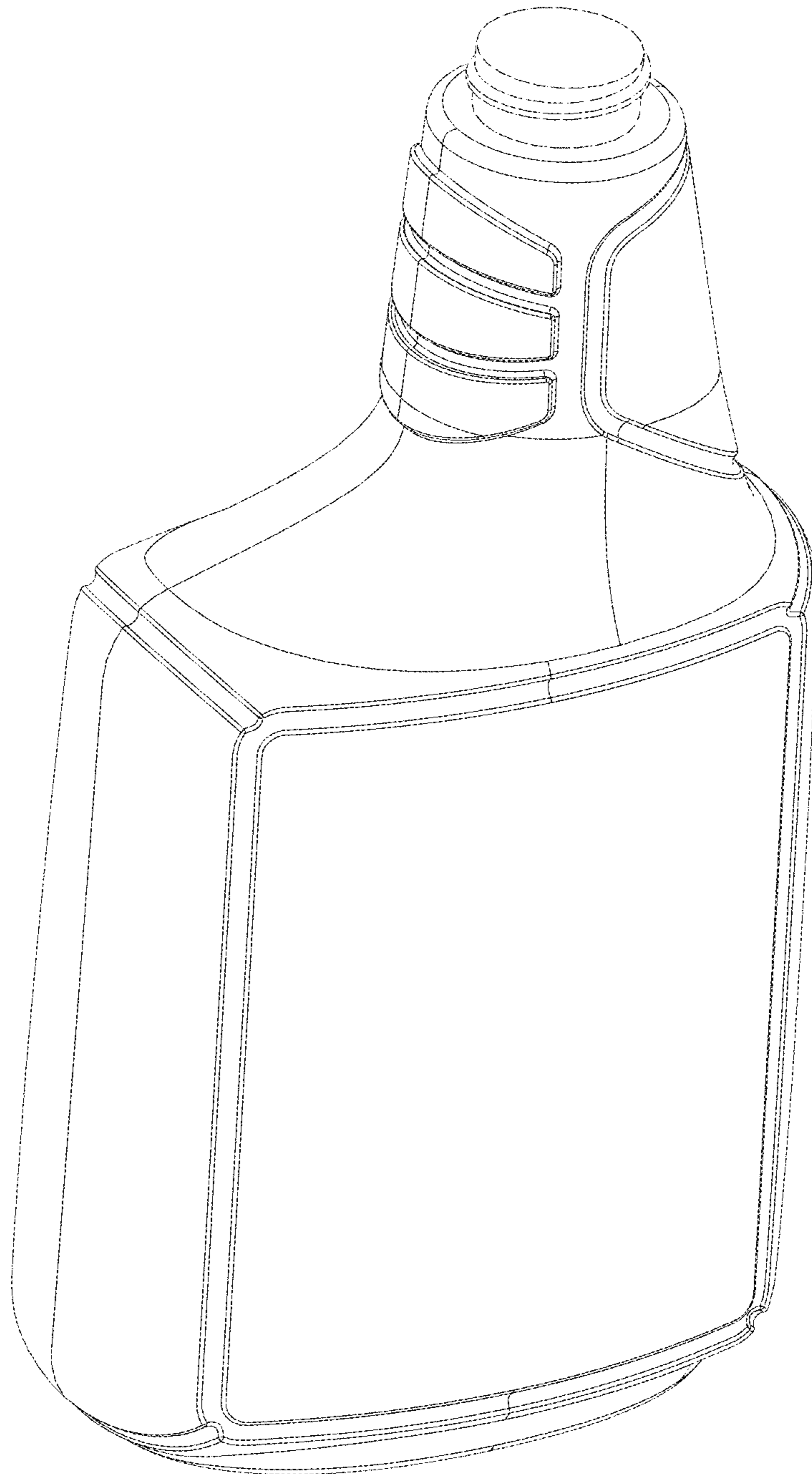


FIG. 3

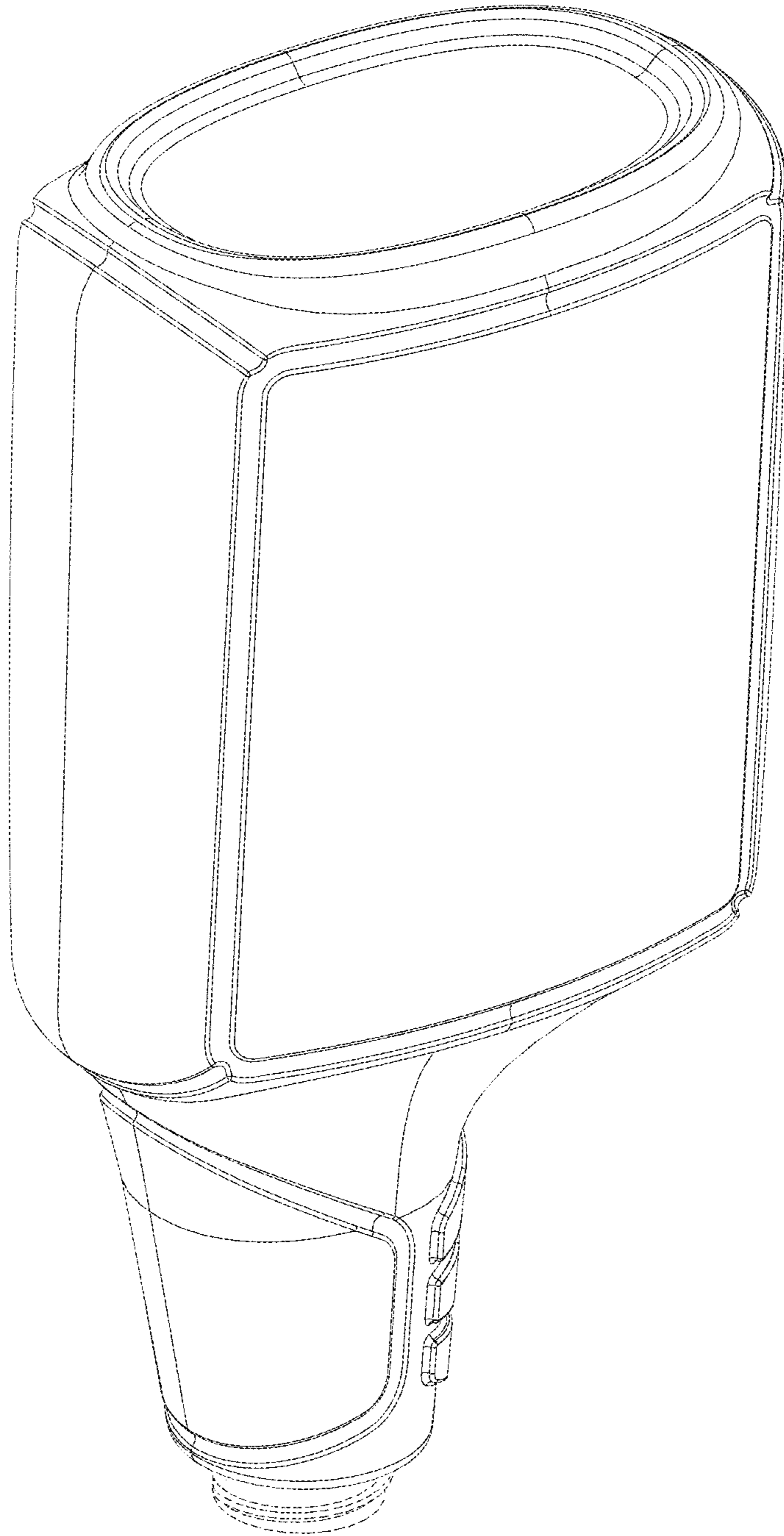


FIG. 4

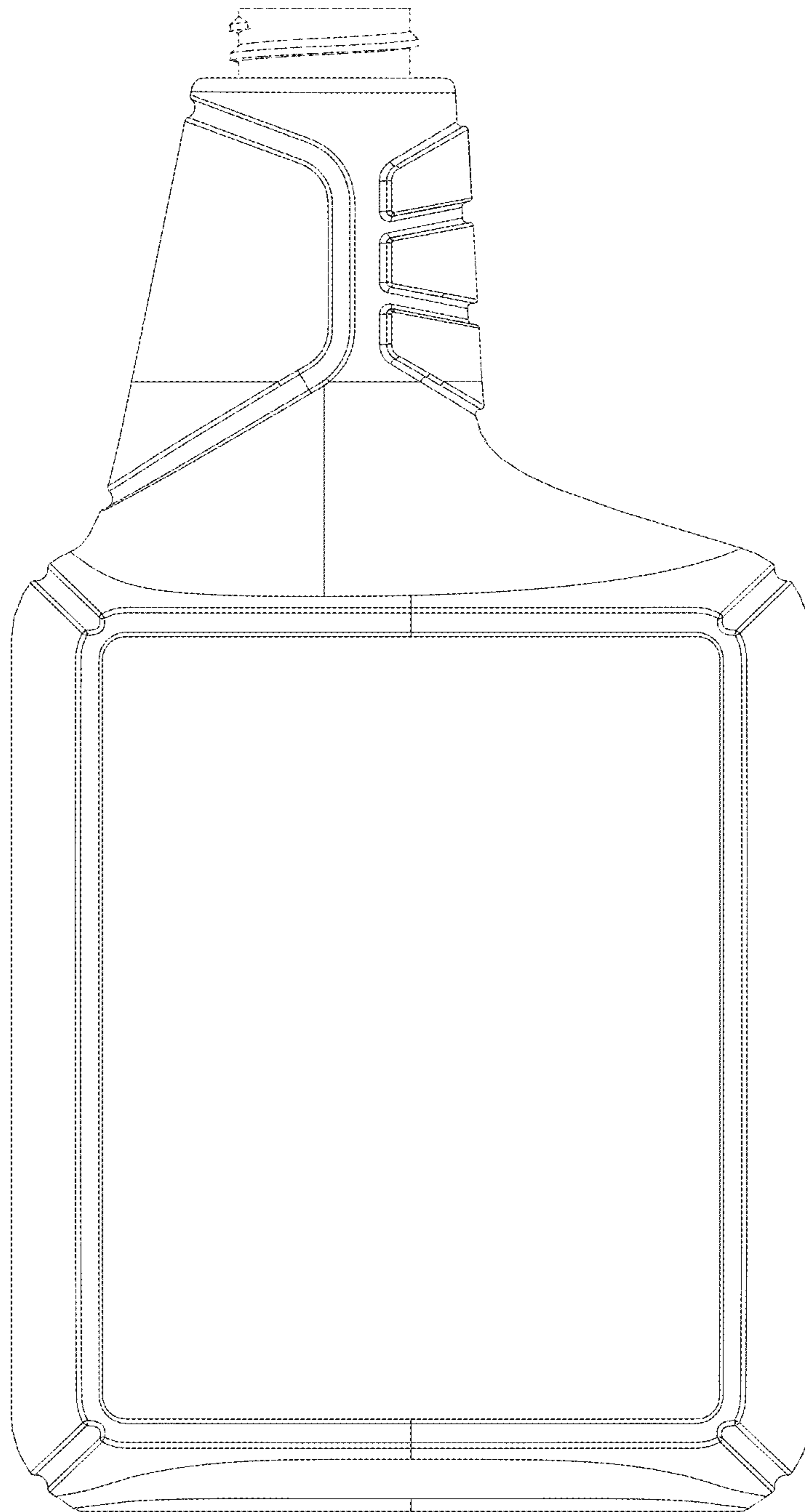


FIG. 5

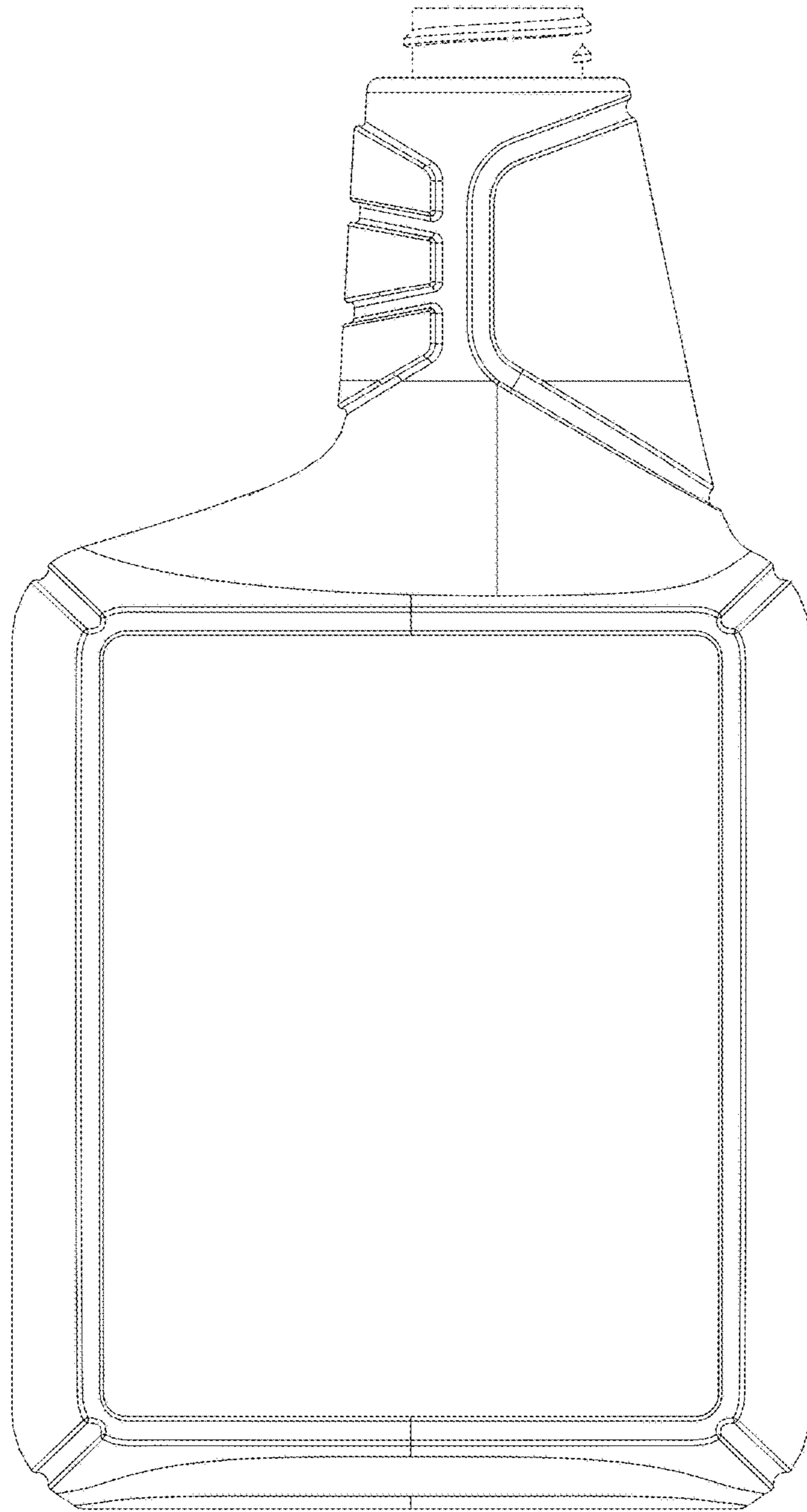


FIG. 6

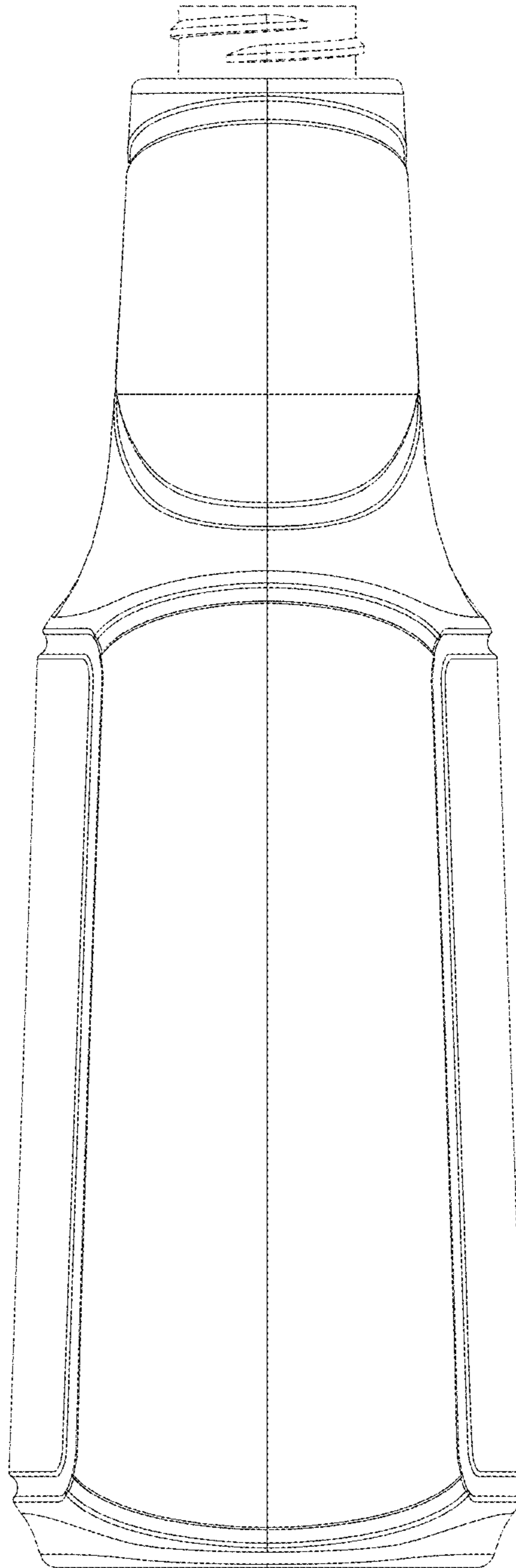


FIG. 7

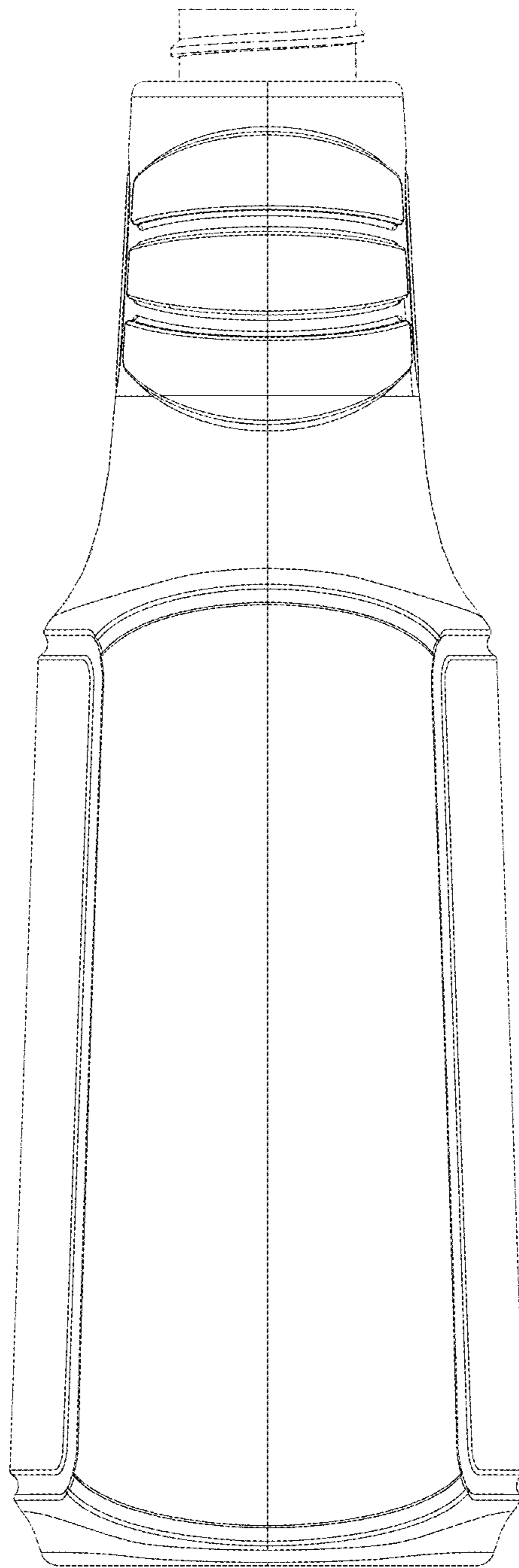


FIG. 8

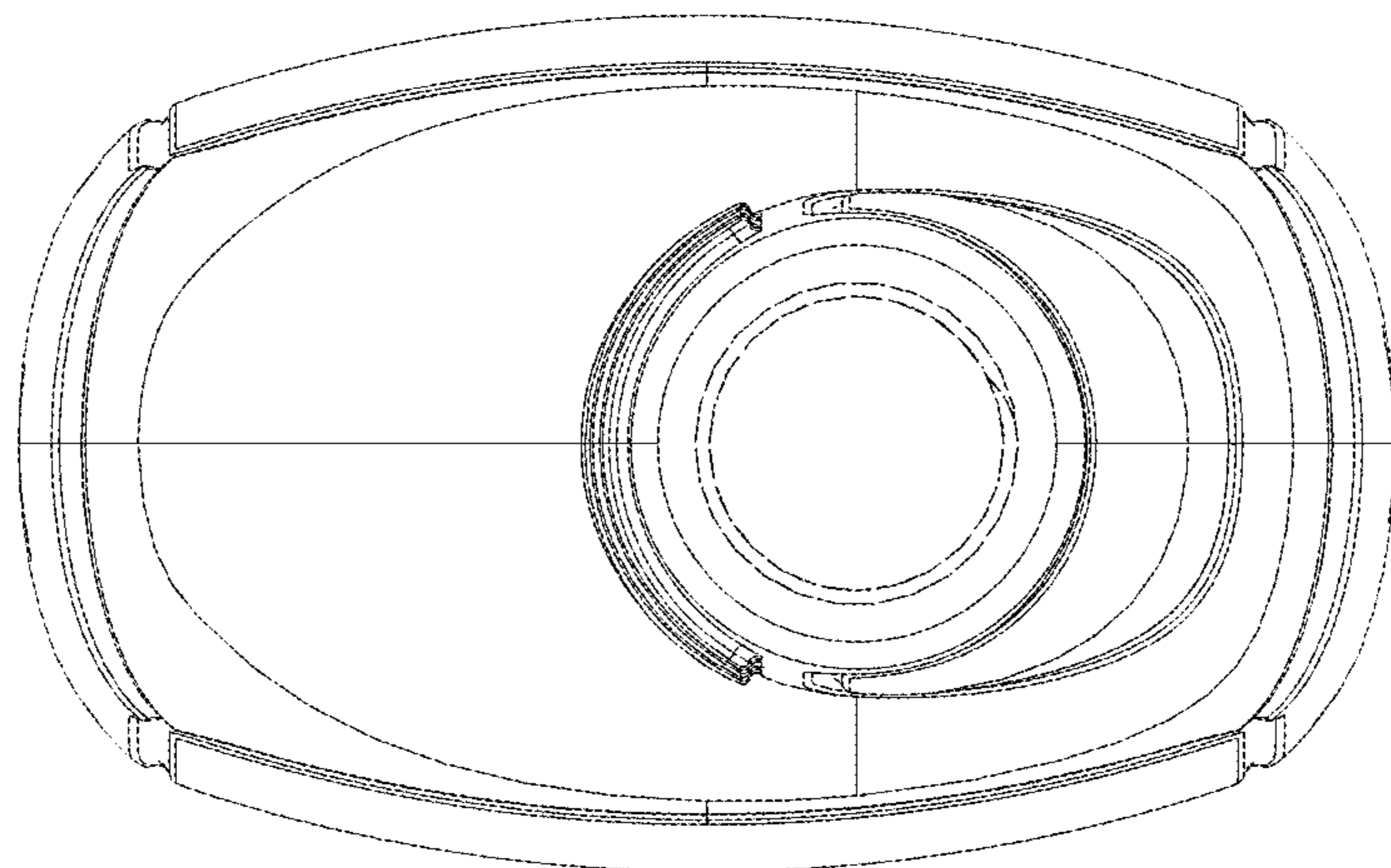


FIG. 9

