



US00D811879S

(12) **United States Design Patent**  
**Way**

(10) **Patent No.:** **US D811,879 S**

(45) **Date of Patent:** **\*\* Mar. 6, 2018**

(54) **BOTTLE LID**

(71) Applicant: **Northstar Gear Company LLC**, Erie, CO (US)

(72) Inventor: **Christopher Randall Way**, Erie, CO (US)

(73) Assignee: **Northstar Gear Company LLC**, Erie, CO (US)

(\*\*) Term: **15 Years**

(21) Appl. No.: **29/599,438**

(22) Filed: **Apr. 3, 2017**

**Related U.S. Application Data**

(63) Continuation of application No. 29/538,044, filed on Aug. 31, 2015, now Pat. No. Des. 783,401.

(51) **LOC (11) Cl.** ..... **09-07**

(52) **U.S. Cl.**  
USPC ..... **D9/449; D7/392.1**

(58) **Field of Classification Search**  
USPC ..... D9/414, 420, 425, 428, 429, 434, 435, D9/443-450, 452, 454, 499, 553, 554, D9/559-561; D7/387, 392, 393, 396.2, D7/396.4, 509, 510, 511, 514, 538; D3/202, 203.2, 223, 264, 294, 304, 318; D28/91.1  
CPC .. A61J 1/00; A61J 1/1412; B65D 1/00; B65D 1/02; B65D 1/10; B65D 1/46; B65D 2585/56; B65D 2585/545; B65D 41/00; B65D 41/56; B65D 41/62; B65D 47/06; B65D 47/08; B65D 2543/00046; B65D 2543/00092; B65D 2543/00296  
See application file for complete search history.

(56) **References Cited**

**U.S. PATENT DOCUMENTS**

4,098,421 A \* 7/1978 Foster ..... B65D 41/18 215/321  
D258,495 S \* 3/1981 Benedict ..... D9/414

D336,240 S \* 6/1993 Castaldo ..... D9/414  
D353,766 S \* 12/1994 Thorso ..... D9/428  
D366,615 S \* 1/1996 Gearin ..... D9/434  
D375,198 S \* 11/1996 Tashiro ..... D3/273  
D418,757 S \* 1/2000 Reidenbach ..... D9/453  
D494,474 S \* 8/2004 Houk ..... D27/190

(Continued)

*Primary Examiner* — Karen S Acker

*Assistant Examiner* — Wendy Arminio

(74) *Attorney, Agent, or Firm* — Baker Botts L.L.P.

(57) **CLAIM**

The ornamental design for a bottle lid, as shown and described.

**DESCRIPTION**

FIG. 1 is a perspective view of a bottle lid embodying the claimed design, shown in a position of use attached to a bottle drawn in broken line.

FIG. 2 is a bottom perspective view of the bottle lid.

FIG. 3 is a top plan view of the bottle lid.

FIG. 4 is a front elevation view of the bottle lid.

FIG. 5 is a left-side elevation view of the bottle lid, with the right-side elevation view being a mirror image thereof.

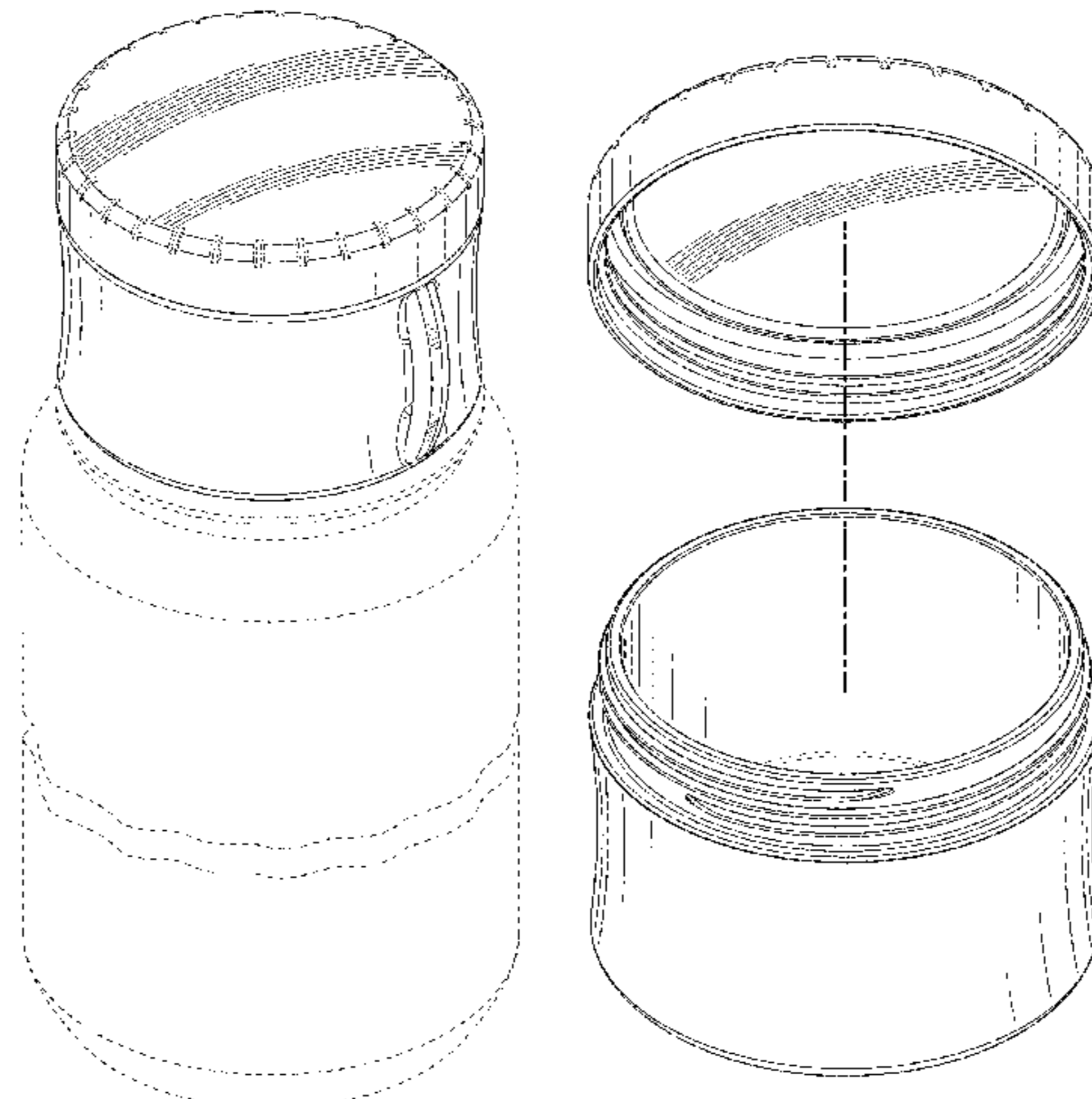
FIG. 6 is a rear elevation view of the bottle lid.

FIG. 7 is a bottom plan view of the bottle lid; and,

FIG. 8 is an exploded perspective view showing the bottle lid, disassembled to reveal the compartment for containing items therein.

The dash-dash broken lines in FIG. 1 showing a bottle depict environmental structure and form no part of the claimed design. The dash-dot-dash broken line in FIG. 8 leading from the top of the bottle lid to the bottom of the bottle lid indicates the direction of assembly of the design and forms no part of the claimed design. All other broken lines depict portions of the bottle lid that form no part of the claimed design.

**1 Claim, 5 Drawing Sheets**



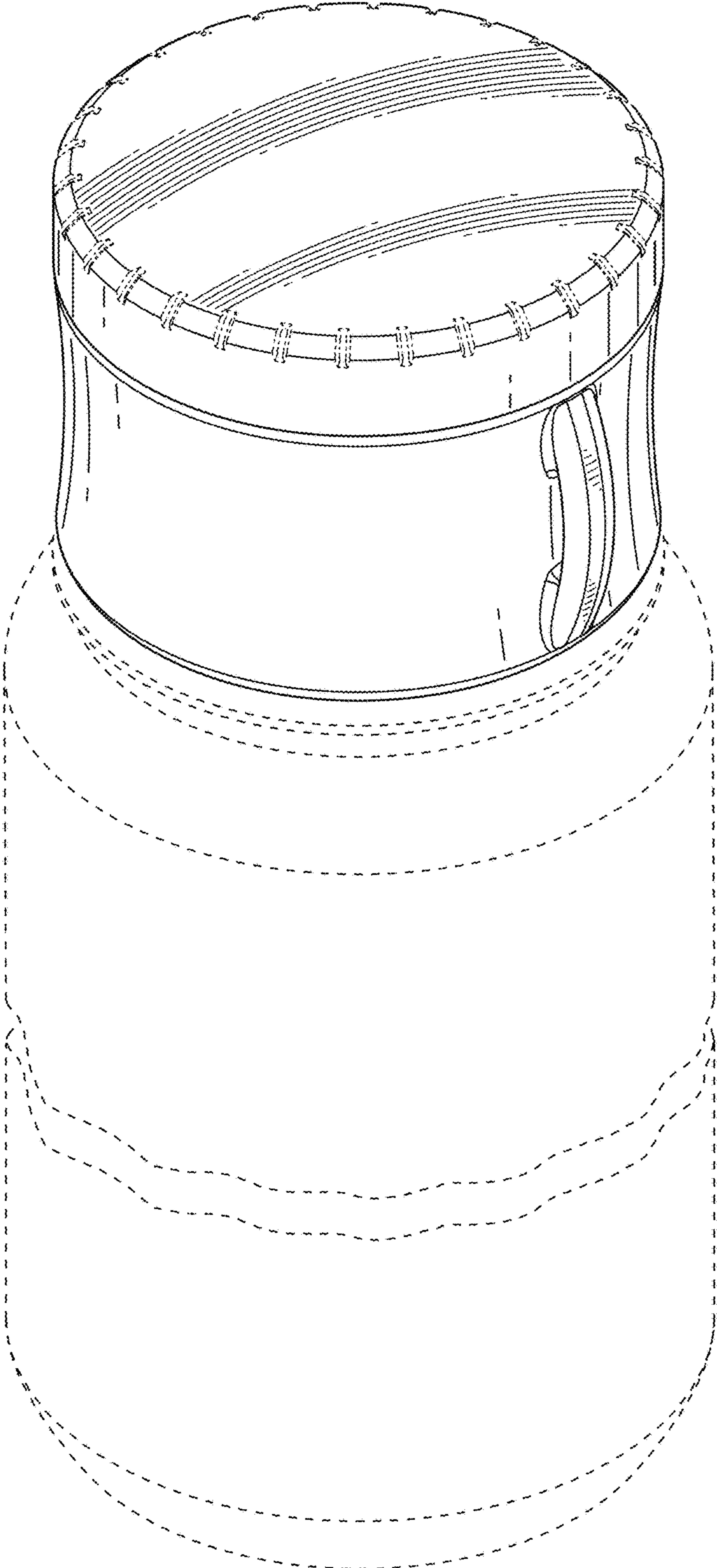
(56)

References Cited

U.S. PATENT DOCUMENTS

D508,188 S \* 8/2005 Zettle ..... D7/615  
D510,524 S \* 10/2005 Houk ..... D9/503  
D515,439 S \* 2/2006 Pace ..... B65D 25/04  
D9/741  
D562,144 S \* 2/2008 Lane ..... D9/556  
D599,953 S \* 9/2009 Gibson ..... D27/190  
D605,529 S \* 12/2009 Holtrop ..... D9/454  
D621,603 S \* 8/2010 Traylor ..... D3/203.2  
D633,386 S \* 3/2011 Taber ..... D9/453  
D640,935 S \* 7/2011 Davies ..... D9/453  
D695,138 S \* 12/2013 Ball ..... D9/435  
D711,239 S \* 8/2014 Julier ..... D9/549  
9,463,899 B2 \* 10/2016 Strominger ..... B65D 21/0209  
2003/0000910 A1 \* 1/2003 Jang ..... B65D 51/18  
215/227  
2007/0023433 A1 \* 2/2007 Vahavihu ..... B65D 77/208  
220/254.7  
2009/0101654 A1 \* 4/2009 Brashear ..... B65D 43/0231  
220/522  
2013/0056463 A1 \* 3/2013 Buck ..... A47G 19/065  
220/23.83  
2013/0228486 A1 \* 9/2013 Buck ..... B65D 21/0238  
206/459.1  
2016/0068318 A1 \* 3/2016 Enko ..... B65D 65/42  
215/307

\* cited by examiner



*FIG. 1*

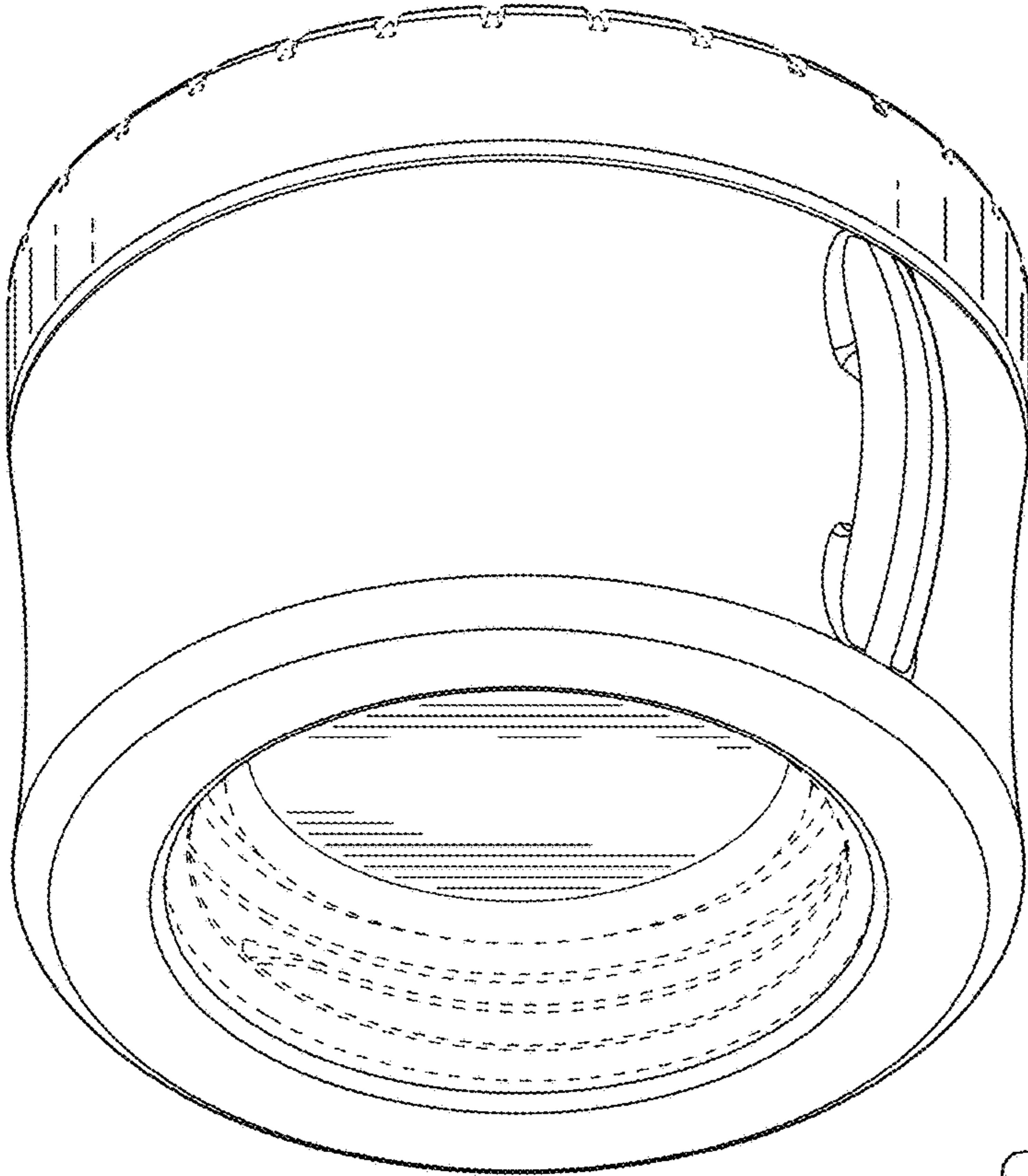


FIG. 2

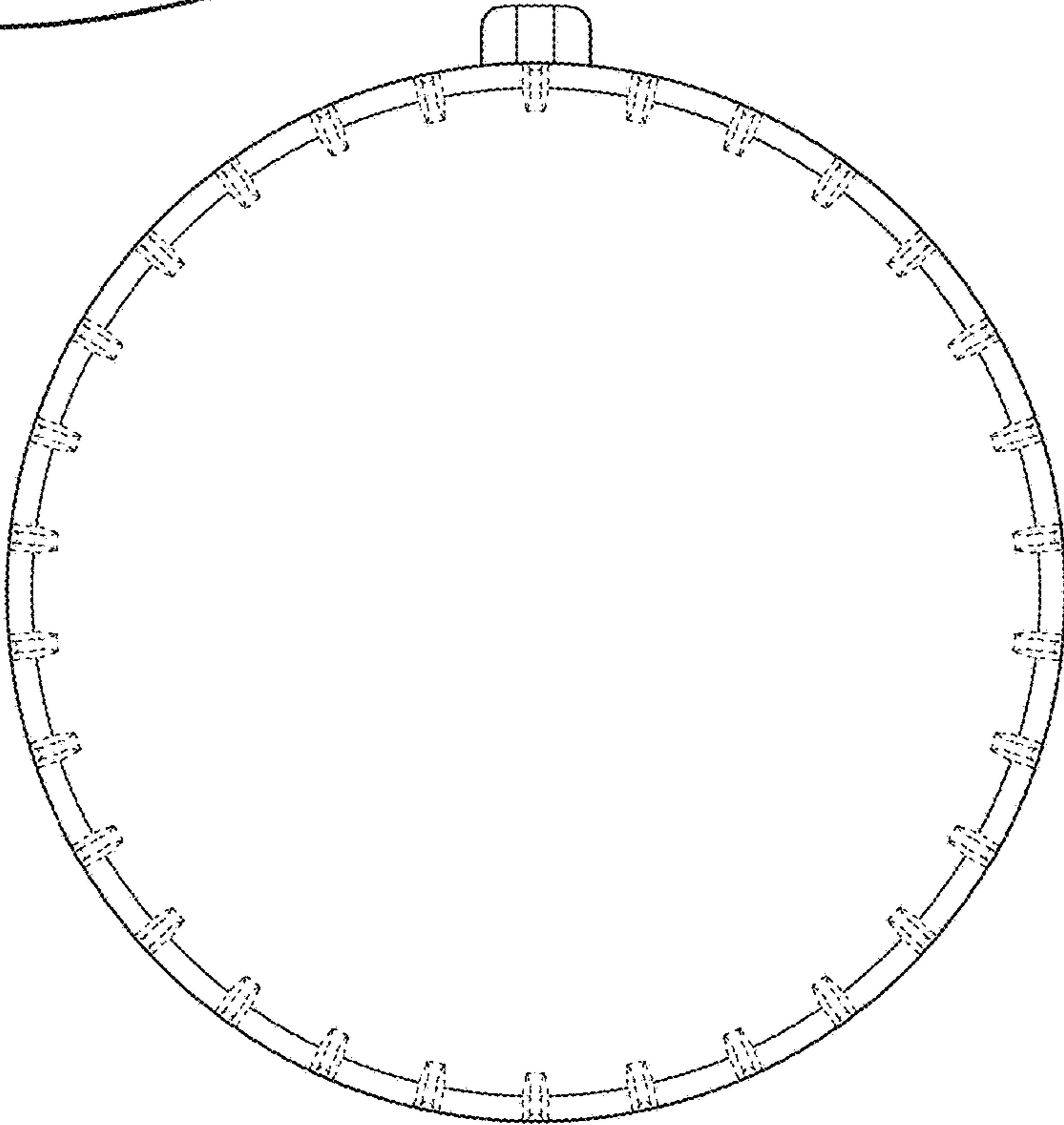
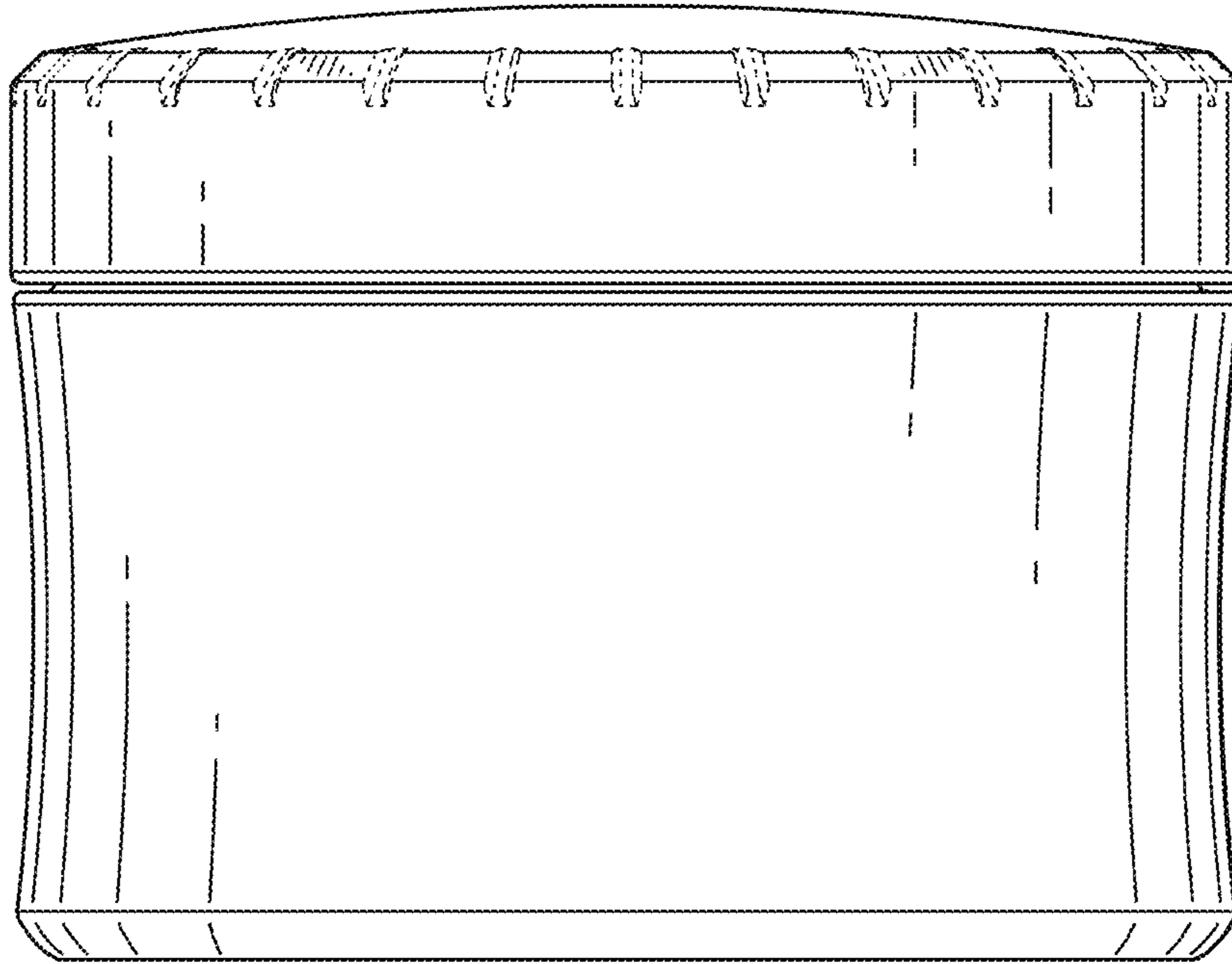
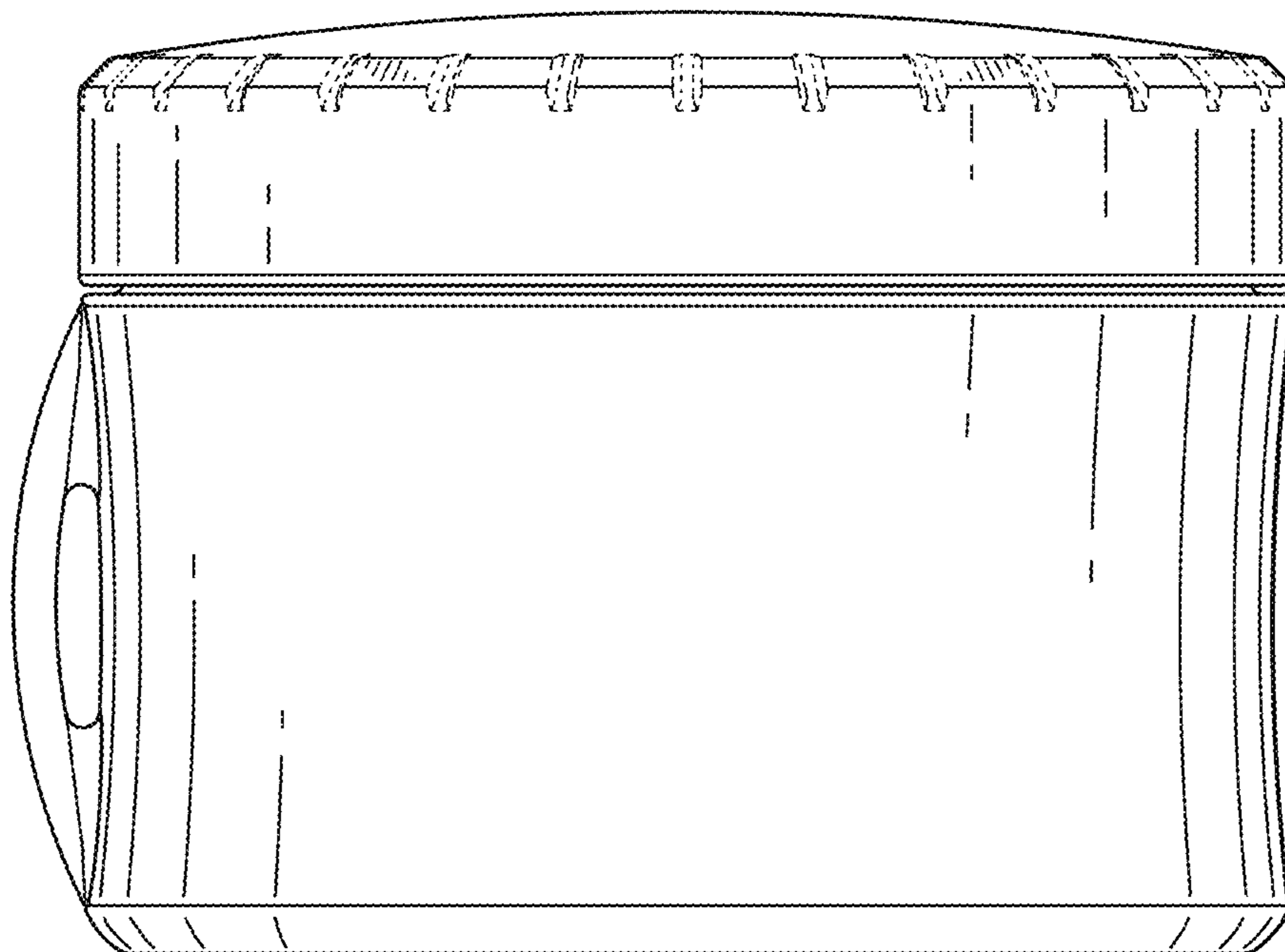


FIG. 3



*FIG. 4*



*FIG. 5*

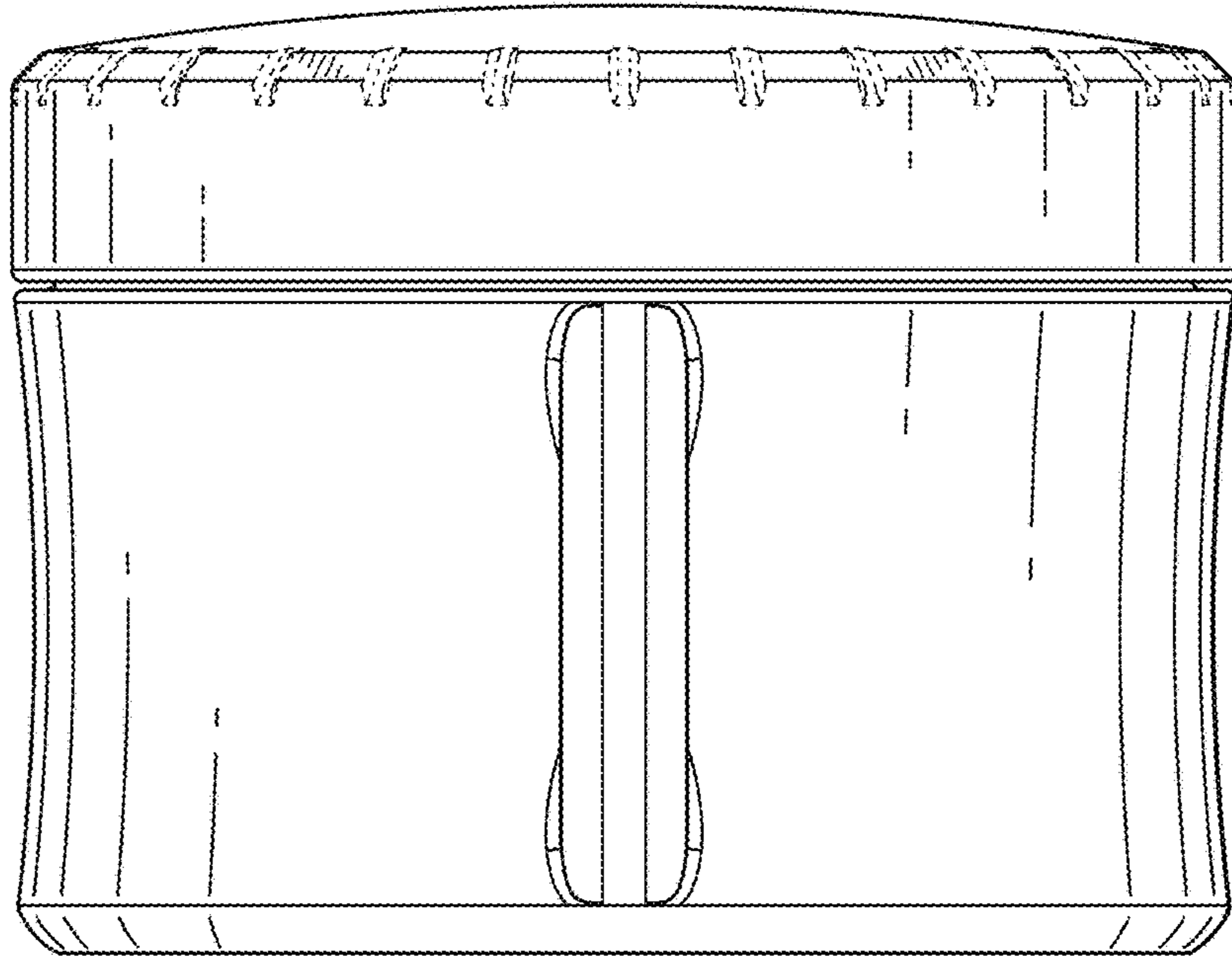


FIG. 6

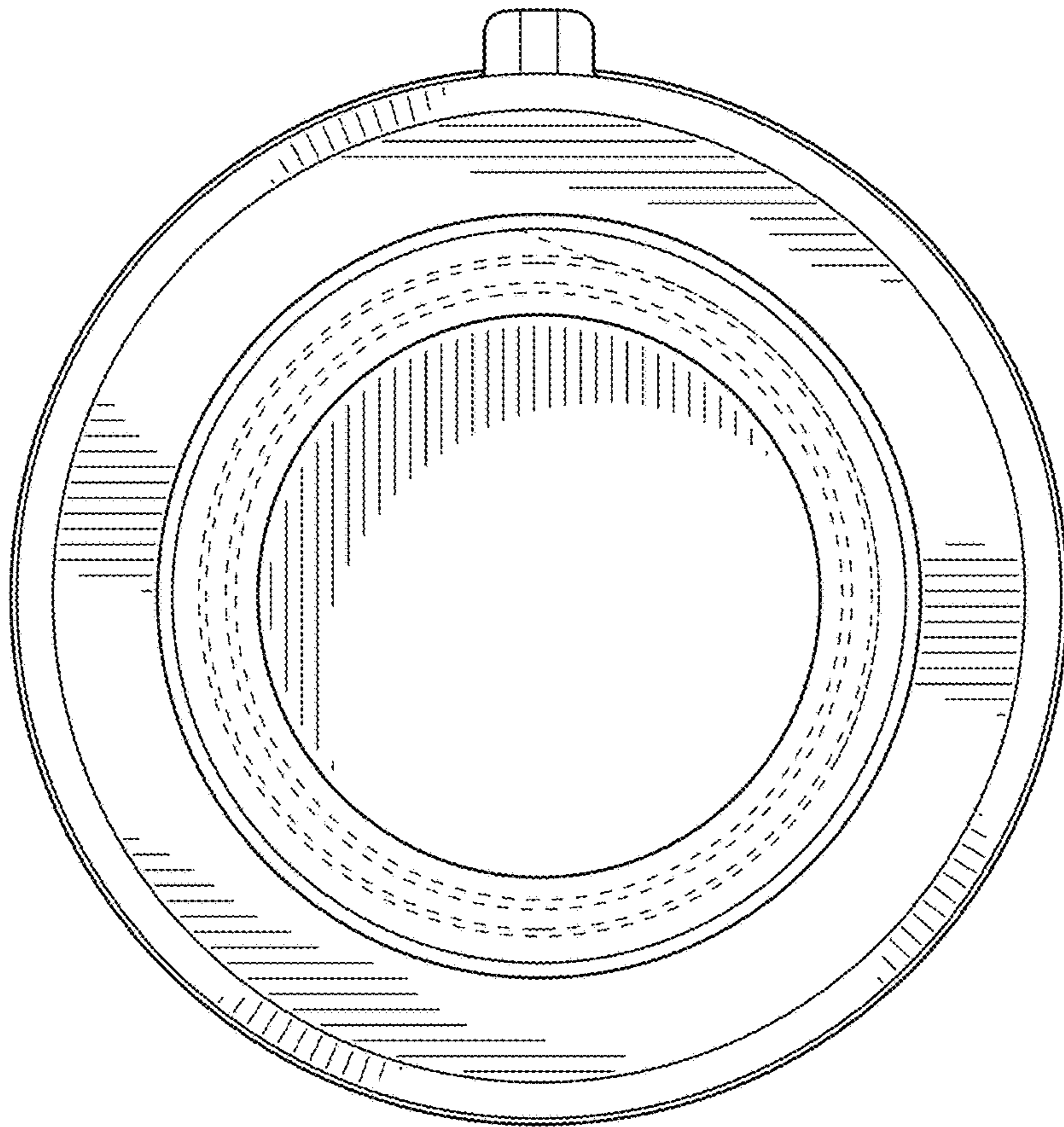


FIG. 7

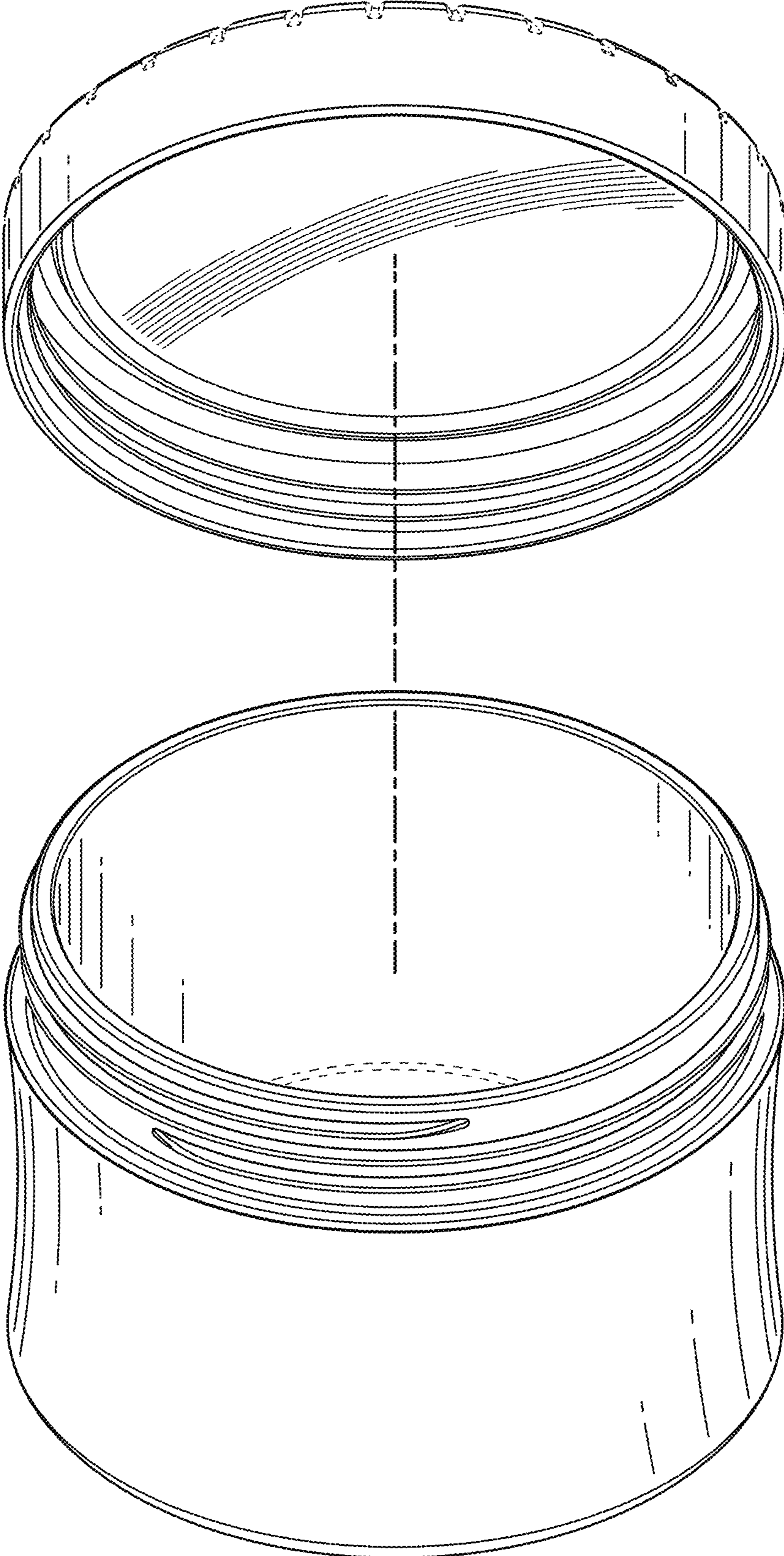


FIG. 8