



US00D811877S

(12) **United States Design Patent** (10) **Patent No.:** **US D811,877 S**  
**Yu** (45) **Date of Patent:** **\*\* Mar. 6, 2018**

(54) **CAP FOR BOTTLE**  
(71) Applicant: **Choongil Yu**, Gyeonggi-Do (KR)  
(72) Inventor: **Choongil Yu**, Guri-si (KR)  
(\*\*) Term: **15 Years**  
(21) Appl. No.: **35/500,906**

D381,881 S \* 8/1997 Shaul ..... D8/40  
D385,191 S \* 10/1997 Cheek ..... D9/436  
D462,506 S \* 9/2002 Davison, III ..... D2/869  
D469,649 S \* 2/2003 Kreuzer ..... D6/610  
D495,255 S \* 8/2004 Lewis ..... D9/436  
D543,456 S \* 5/2007 Muhlemann ..... D9/452  
D548,016 S \* 8/2007 Jackson ..... D7/625  
D614,029 S \* 4/2010 Lake, Jr. .... D9/451  
D644,822 S \* 9/2011 Keppler ..... D2/870

(Continued)

(22) Filed: **Jan. 7, 2016**

*Primary Examiner* — Melanie H Tung  
*Assistant Examiner* — Bao-Yen Nguyen  
(74) *Attorney, Agent, or Firm* — Birch, Stewart, Kolasch & Birch, LLP

(80) **Hague Agreement Data**

Int. Filing Date: **Jan. 7, 2016**  
Int. Reg. No.: **DM/090288**  
Int. Reg. Date: **Jan. 7, 2016**  
Int. Reg. Pub. Date: **May 6, 2016**

(30) **Foreign Application Priority Data**

Jul. 10, 2015 (KR) ..... 30-2015-0034870

(51) **LOC (11) Cl.** ..... **09-07**

(52) **U.S. Cl.**  
USPC ..... **D9/436**

(58) **Field of Classification Search**  
USPC ..... D9/434, 435, 436, 438, 439, 440, 443,  
D9/446, 447, 448, 449, 450, 452, 453,  
D9/454, 502, 503, 504, 516, 517, 529;  
D7/300, 300.1, 216, 317, 387, 391, 392.1,  
D7/393, 396.2, 509, 510, 511, 523,  
D7/525-531, 538, 541, 549, 629, 703,  
D7/900  
CPC . B65D 23/00; B65D 1/00; B65D 1/02; B65D  
1/0223; B65D 2501/00; B65D 2501/0009;  
B65D 83/06; B65D 50/041; A47G 18/22;  
A47G 18/23

See application file for complete search history.

(56) **References Cited**

U.S. PATENT DOCUMENTS

3,198,369 A \* 8/1965 St Jacques ..... B65D 41/12  
215/328  
5,263,600 A \* 11/1993 Henning ..... B65D 41/0464  
215/295

(57) **CLAIM**

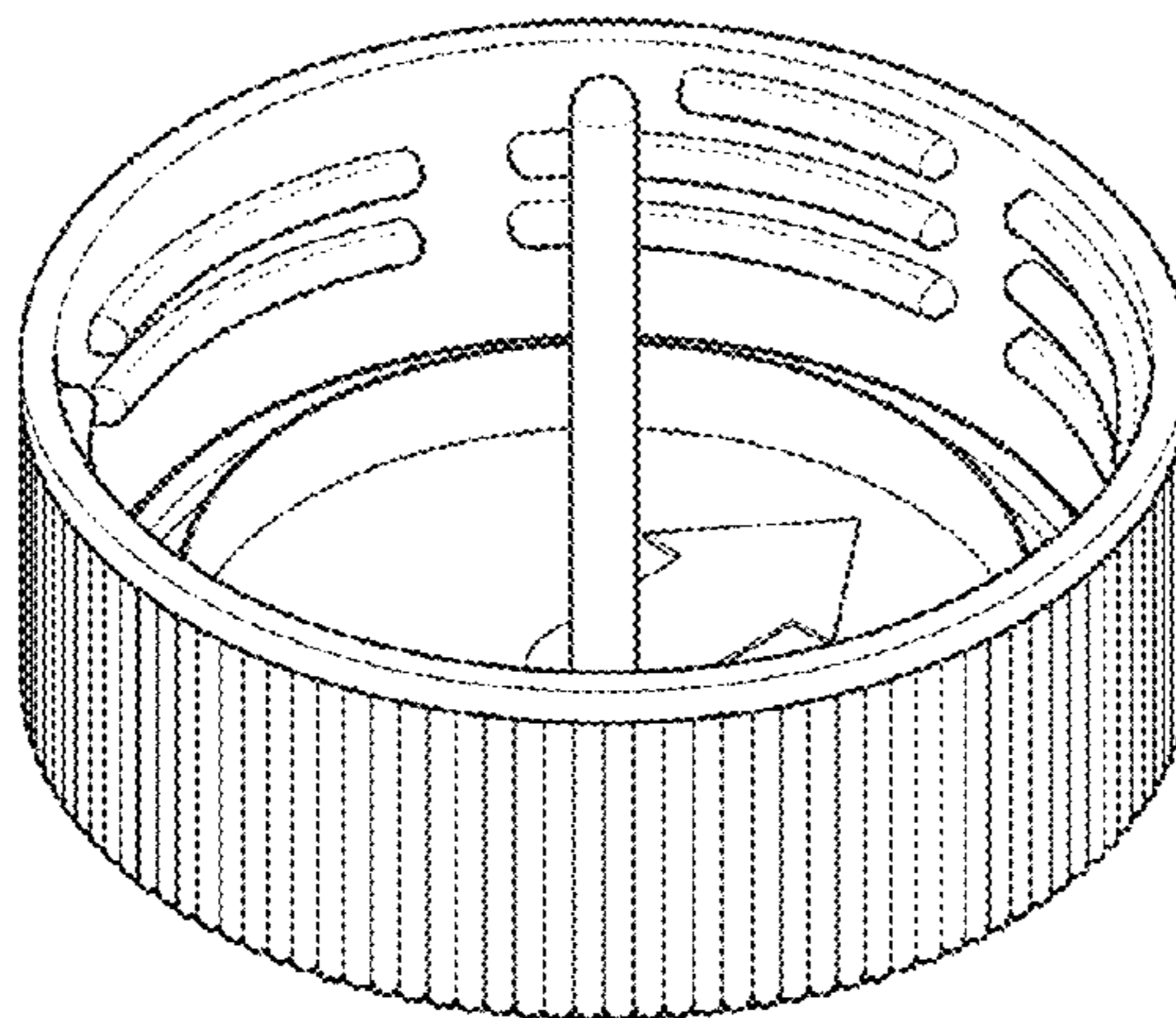
The ornamental design for a cap for bottle, as shown and described.

**DESCRIPTION**

The patent or application file contains at least one drawing executed in color. Copies of this patent or patent application publication with color drawing(s) will be provided by the Office upon request and payment of the necessary fee.

- 1. Cap for bottle
  - 1.1 is a perspective view.
  - 1.2 is a front view.
  - 1.3 is a back view.
  - 1.4 is a left view.
  - 1.5 is a right view.
  - 1.6 is a top view.
  - 1.7 is a bottom view.
  - 1.8 is a bottom perspective view.
  - 1.9 is a cross-sectional view.
  - 1.10 is a perspective view shown in a state of use.
- The hand shown in blue in reproduction 1.10 forms no part of the claim.

**1 Claim, 6 Drawing Sheets**  
**(1 of 6 Drawing Sheet(s) Filed in Color)**



(56)

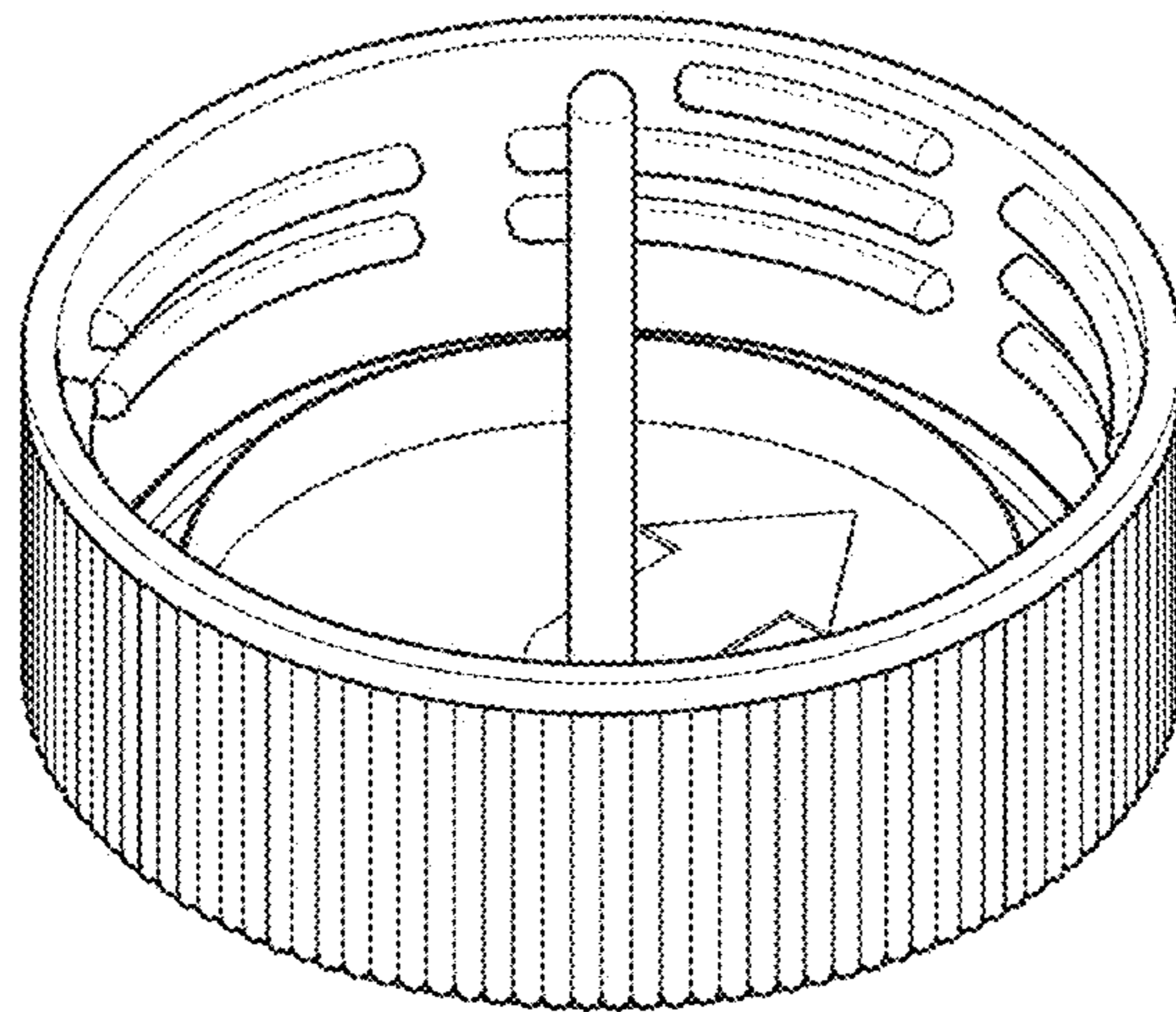
**References Cited**

U.S. PATENT DOCUMENTS

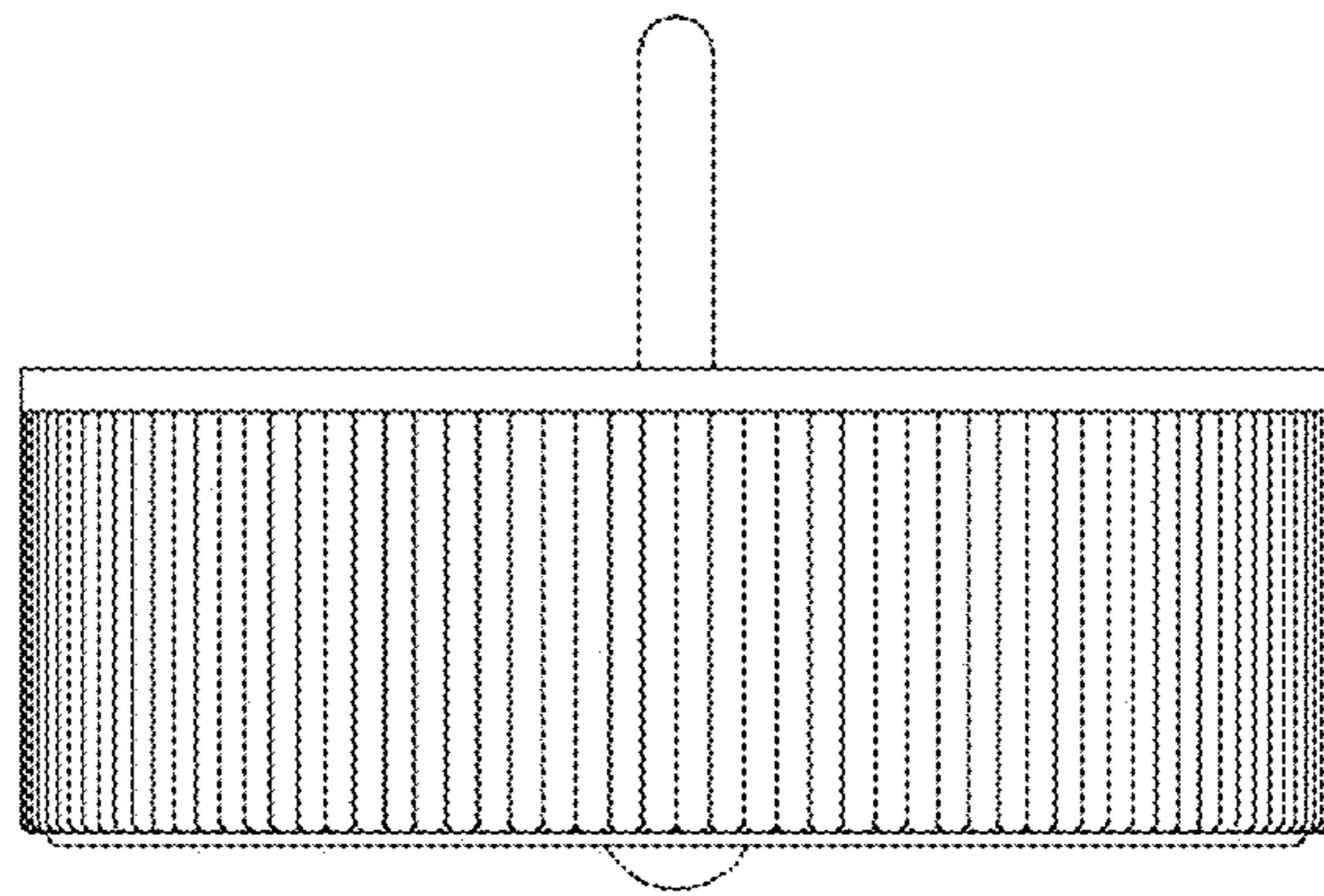
D670,166 S *	11/2012	Lavender .....	D9/452
D682,596 S *	5/2013	Messing .....	D6/688
D687,299 S *	8/2013	Peykoff .....	D9/453
D687,314 S *	8/2013	Armani .....	D9/503
D690,201 S *	9/2013	Klebeck .....	D9/439
D736,625 S *	8/2015	Laureano .....	D9/454
2005/0006334 A1 *	1/2005	Luker .....	B65D 41/0485 215/334

\* cited by examiner

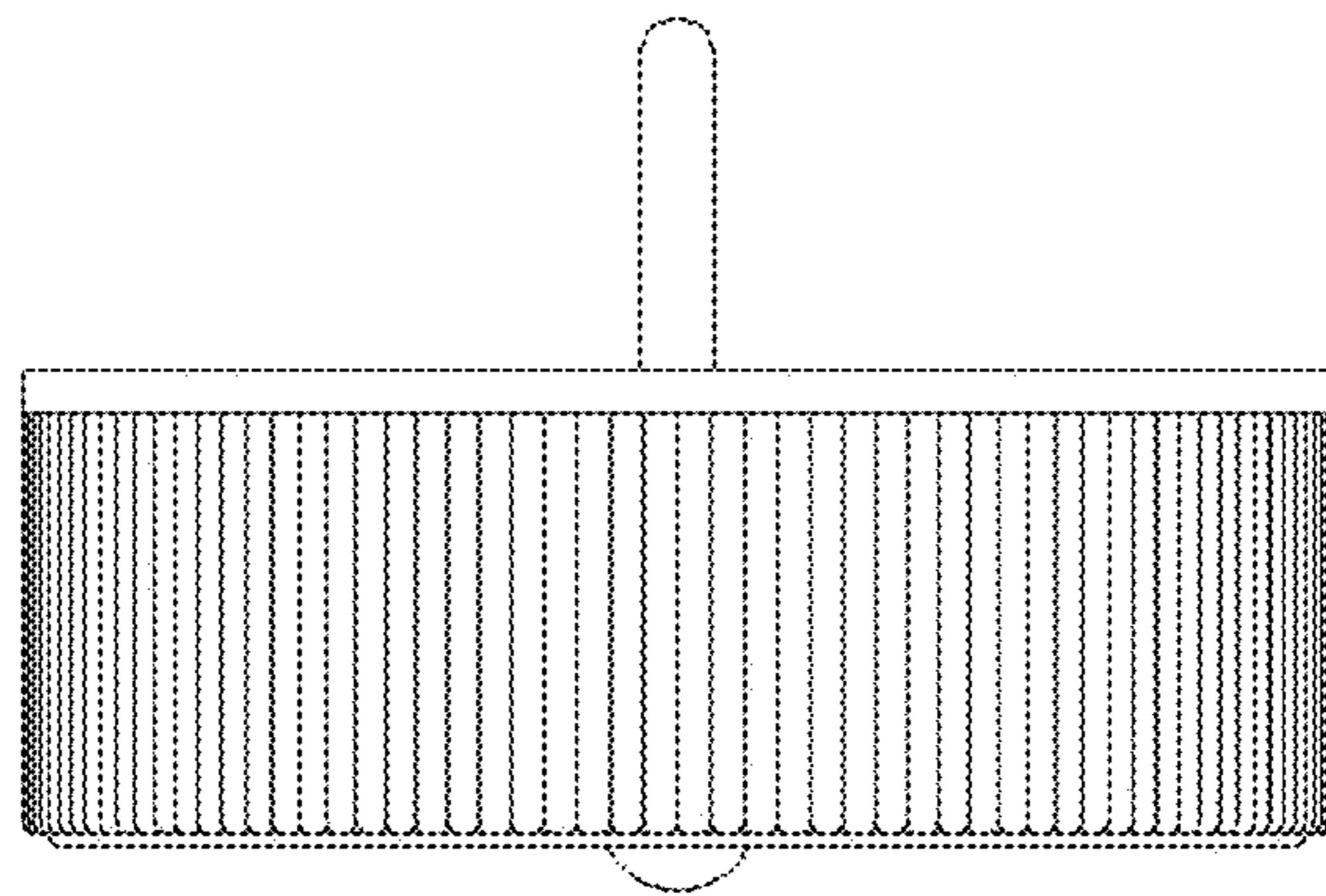
1.1



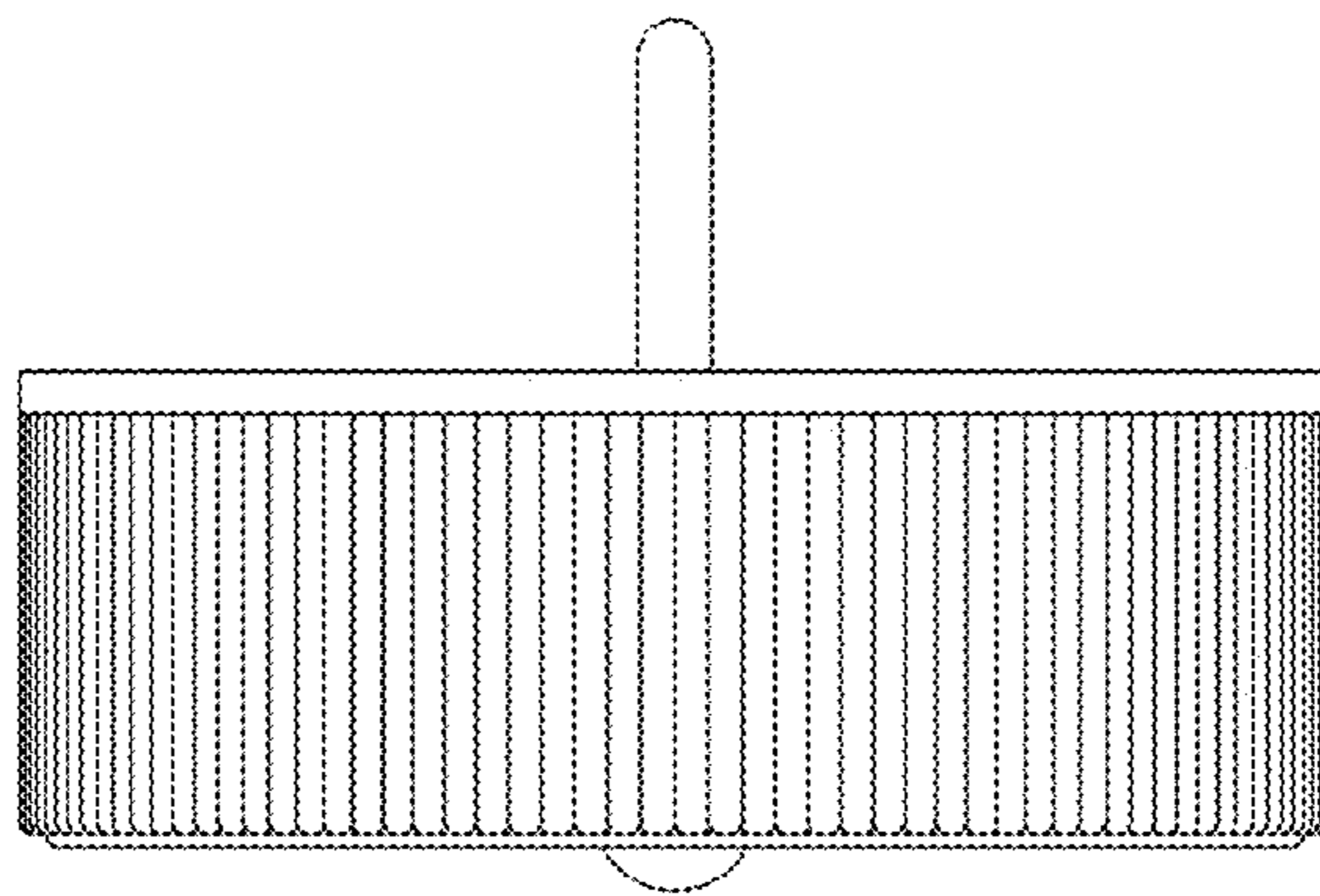
1.2



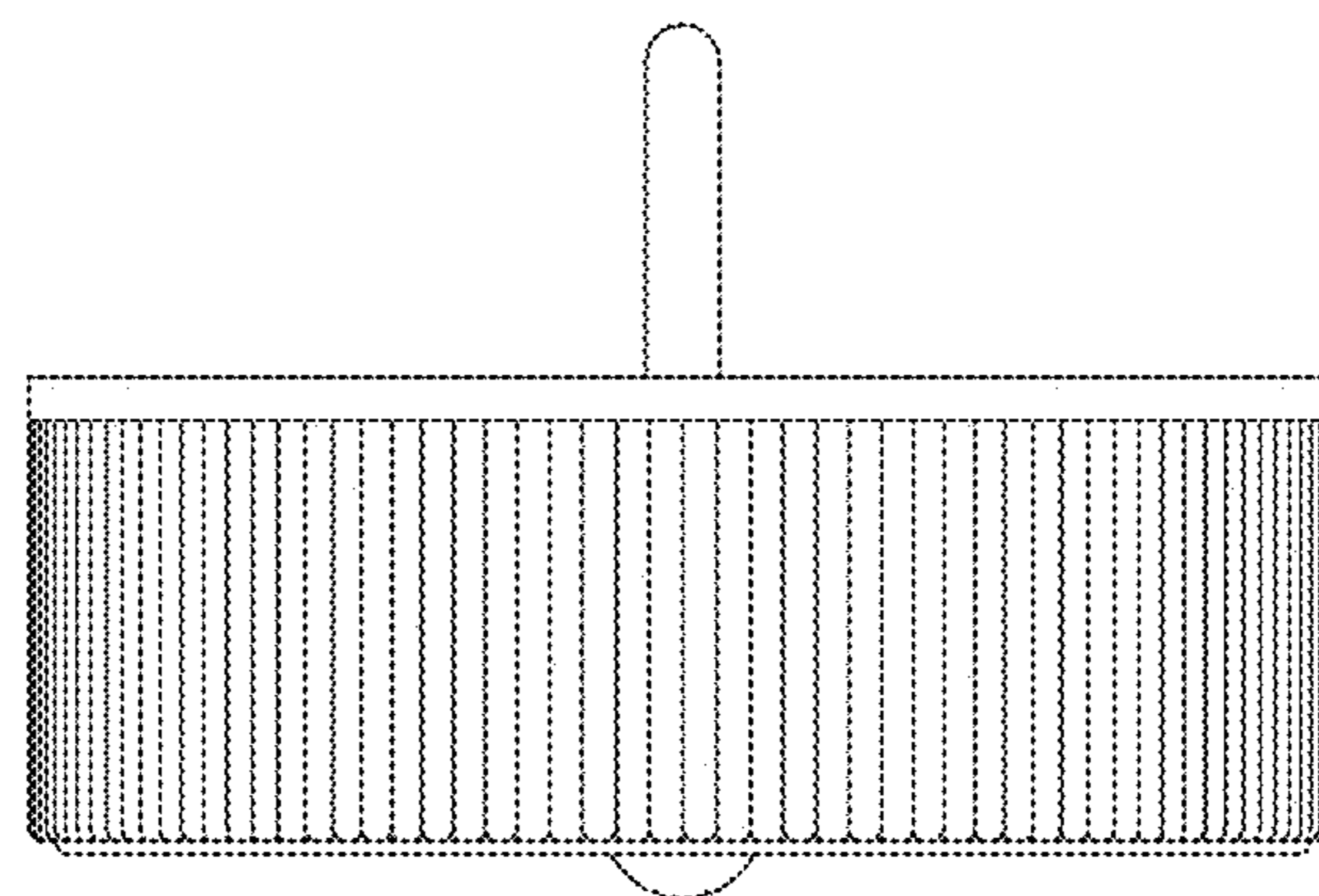
1.3



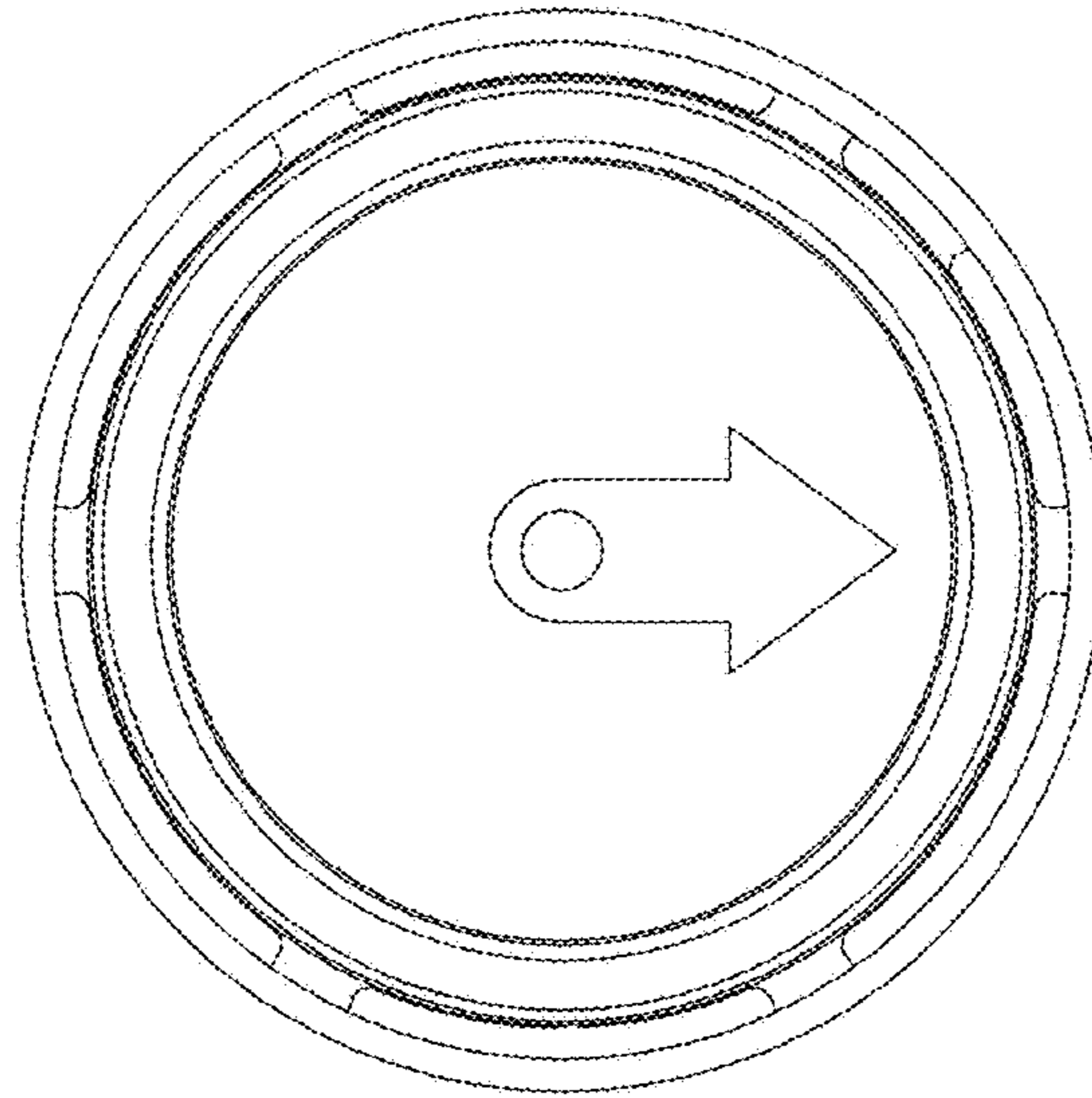
1.4



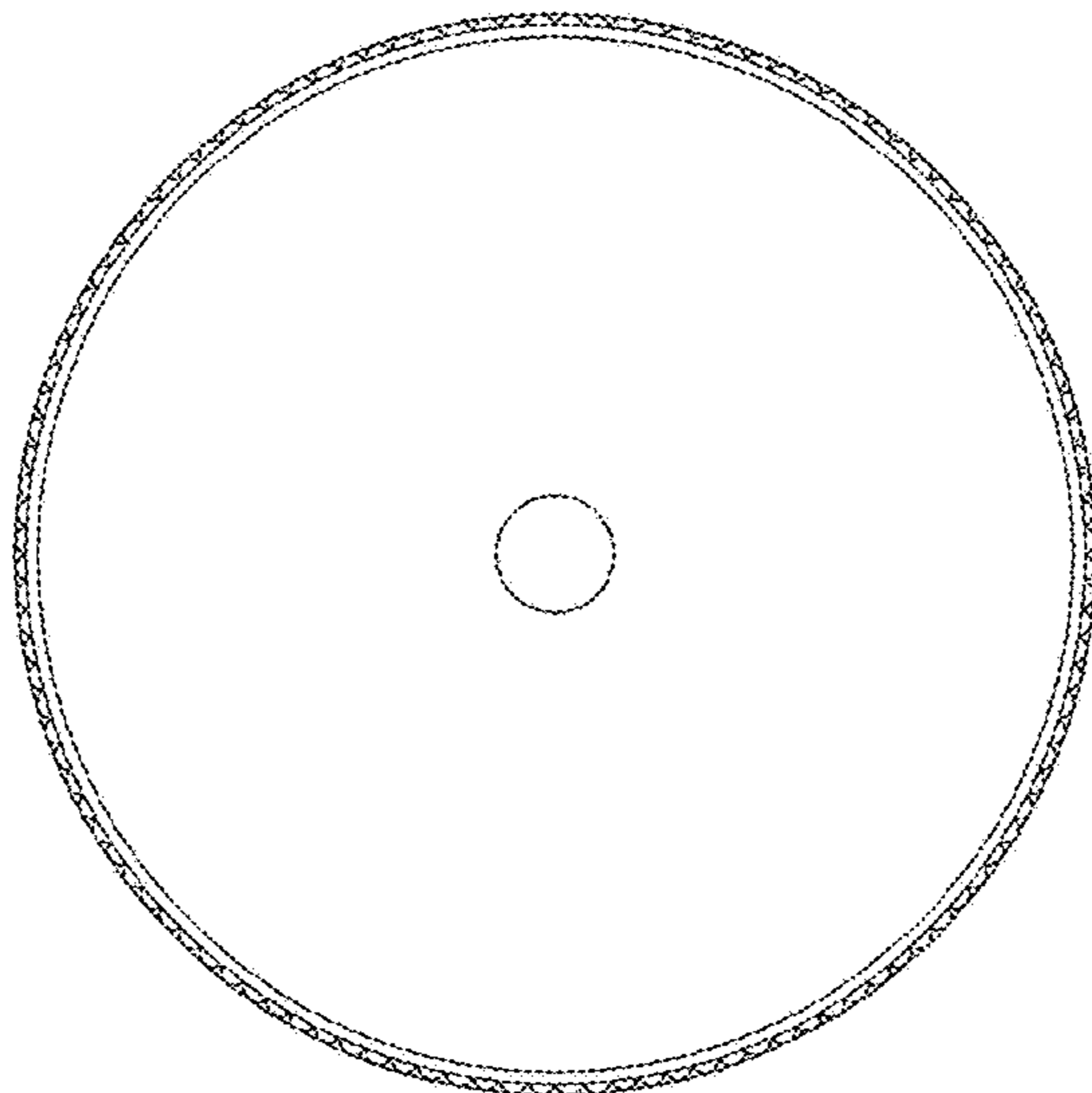
1.5



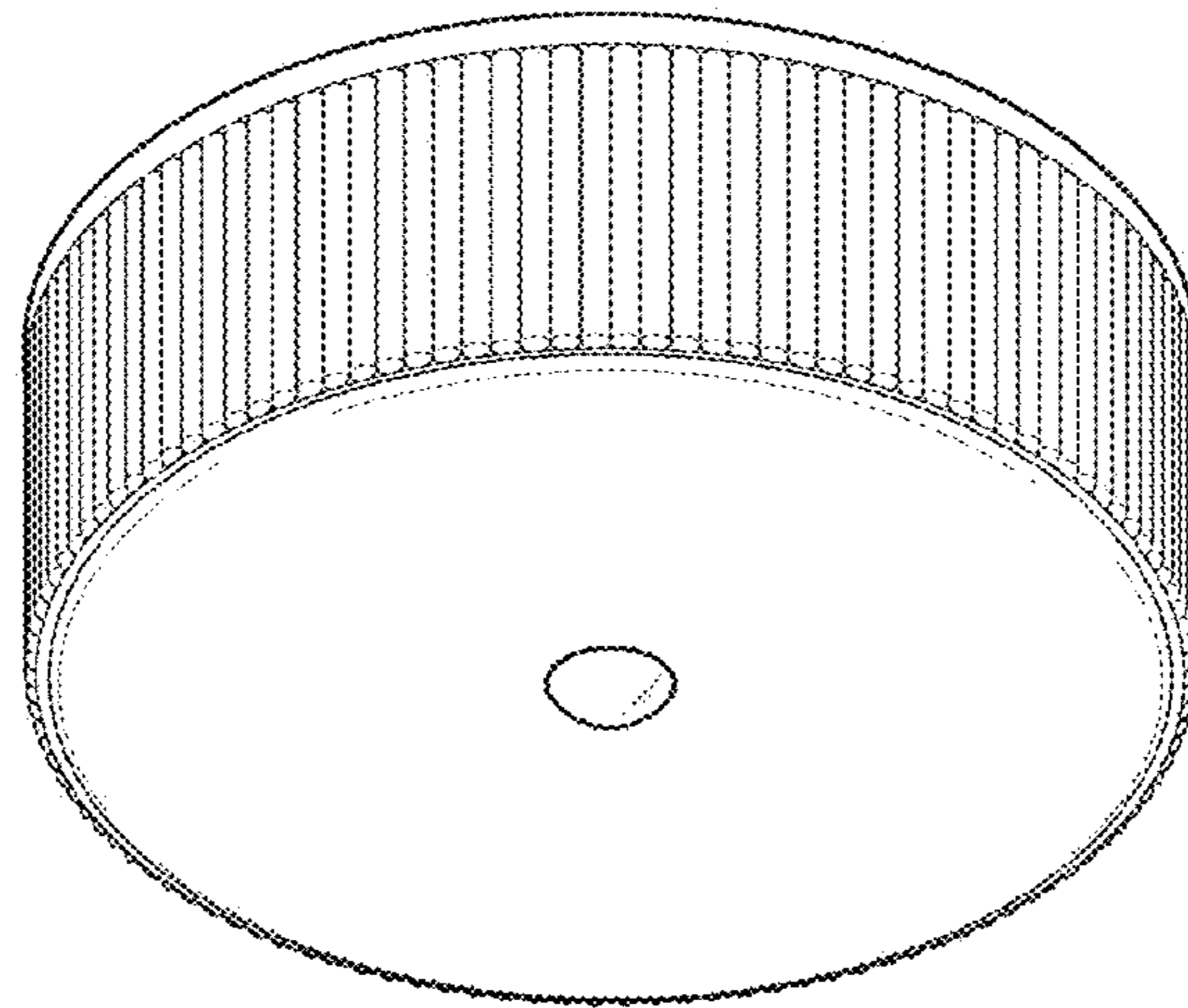
1.6



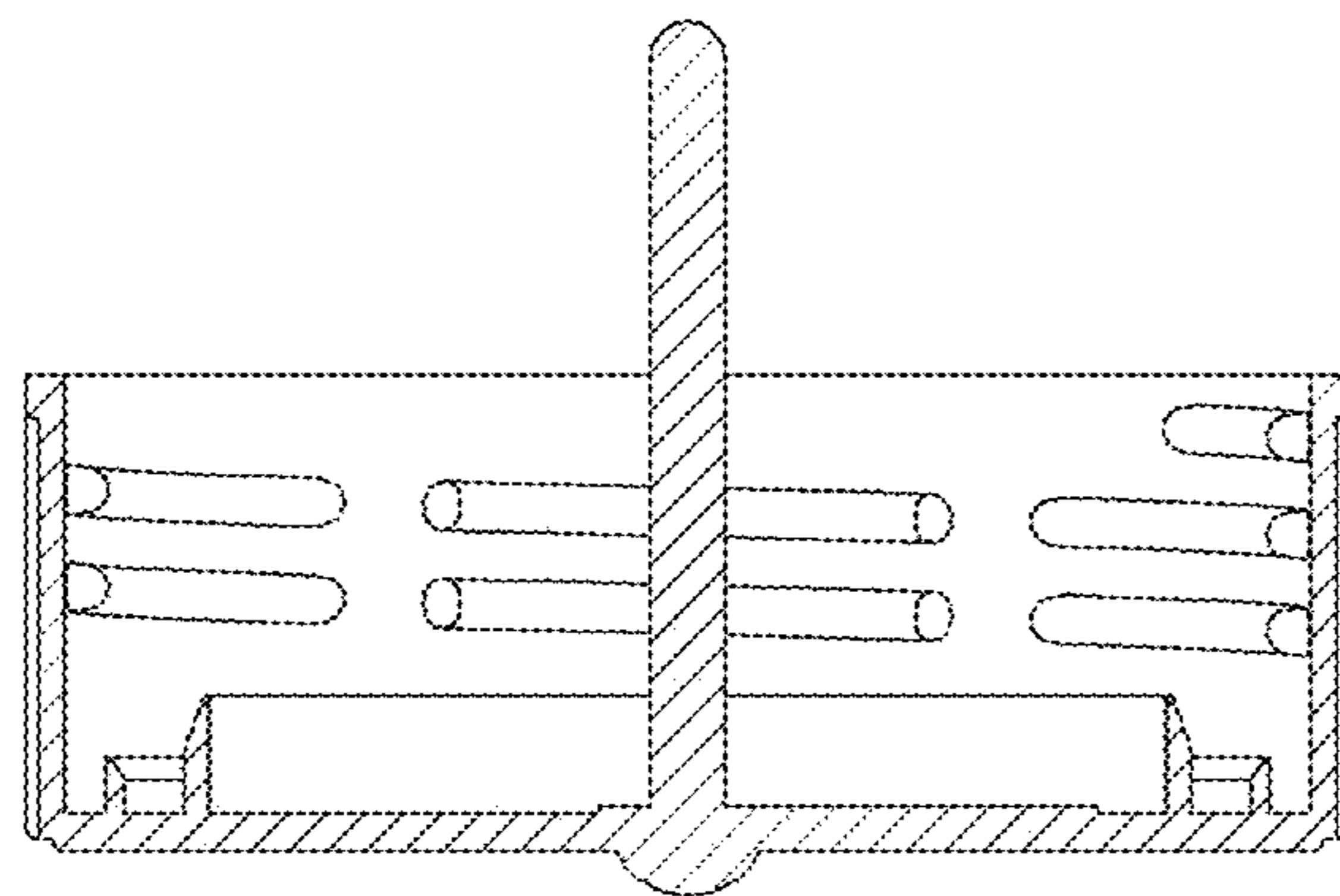
1.7



1.8



1.9



1.10

