



US00D811872S

(12) **United States Design Patent**  
**Wu**

(10) **Patent No.:** **US D811,872 S**  
(45) **Date of Patent:** **\*\* Mar. 6, 2018**

(54) **COMBINED CONTAINER WITH LID**

(71) Applicant: **Jingdong Wu**, Taishan (CN)

(72) Inventor: **Jingdong Wu**, Taishan (CN)

(\*\*) Term: **15 Years**

(21) Appl. No.: **29/565,770**

(22) Filed: **May 24, 2016**

(51) **LOC (11) Cl.** ..... **09-03**

(52) **U.S. Cl.**  
USPC ..... **D9/428**

(58) **Field of Classification Search**  
USPC ..... D7/396.1, 538-545, 602, 608, 629;  
D9/414, 420, 425-429, 432, 761;  
206/499, 508, 557; 220/23.4, 23.6, 315,  
220/500, 659, 669, 674, 675, 696, 752,  
220/760, 790, 793; 229/105, 117.09,  
229/117.26, 189, 406, 407, 902, 905  
CPC ..... B65D 1/26; B65D 1/40; B65D 81/3453;  
B65D 2581/34; B65D 2581/3404; B65D  
2581/3456

See application file for complete search history.

(56) **References Cited**

**U.S. PATENT DOCUMENTS**

3,229,886	A *	1/1966	Grogl	.....	A21B 3/13 220/608
D235,302	S *	6/1975	Lanigan	.....	220/574
D279,067	S *	6/1985	Kuster	.....	D7/554.2
D298,199	S *	10/1988	Finsilver	.....	D7/538
D343,338	S *	1/1994	Bucher	.....	D7/543
D466,762	S *	12/2002	Cote	.....	D7/543
D499,936	S *	12/2004	Wiedmeyer	.....	D7/543
D524,604	S *	7/2006	Vendl	.....	D7/545
D591,591	S *	5/2009	Moecks	.....	D9/428
D618,512	S *	6/2010	Kimmel	.....	D7/554.2
D649,872	S *	12/2011	Bouveret	.....	D9/425

**OTHER PUBLICATIONS**

Corelle Livingware 20-Ounce Bowl, announced Oct. 2013, [online], site visited Jul. 20, 2017. Available from Internet, <URL: http://www.amazon.com>.\*

FoodSaver FreshSaver Deli Containers, announced Dec. 2011, [online], site visited Jul. 20, 2017. Available from Internet, <URL: http://www.walmart.com>.\*

\* cited by examiner

*Primary Examiner* — Derrick E Holland

*Assistant Examiner* — Janice Julia Patyk

(74) *Attorney, Agent, or Firm* — Schmeiser, Olsen & Watts, LLP

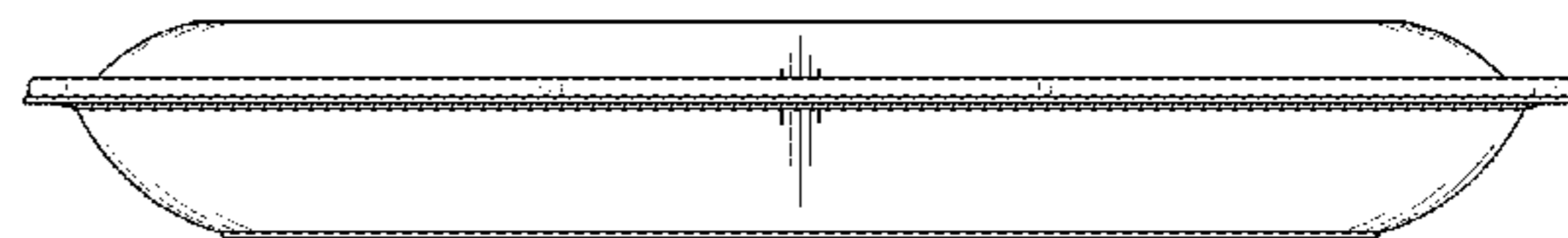
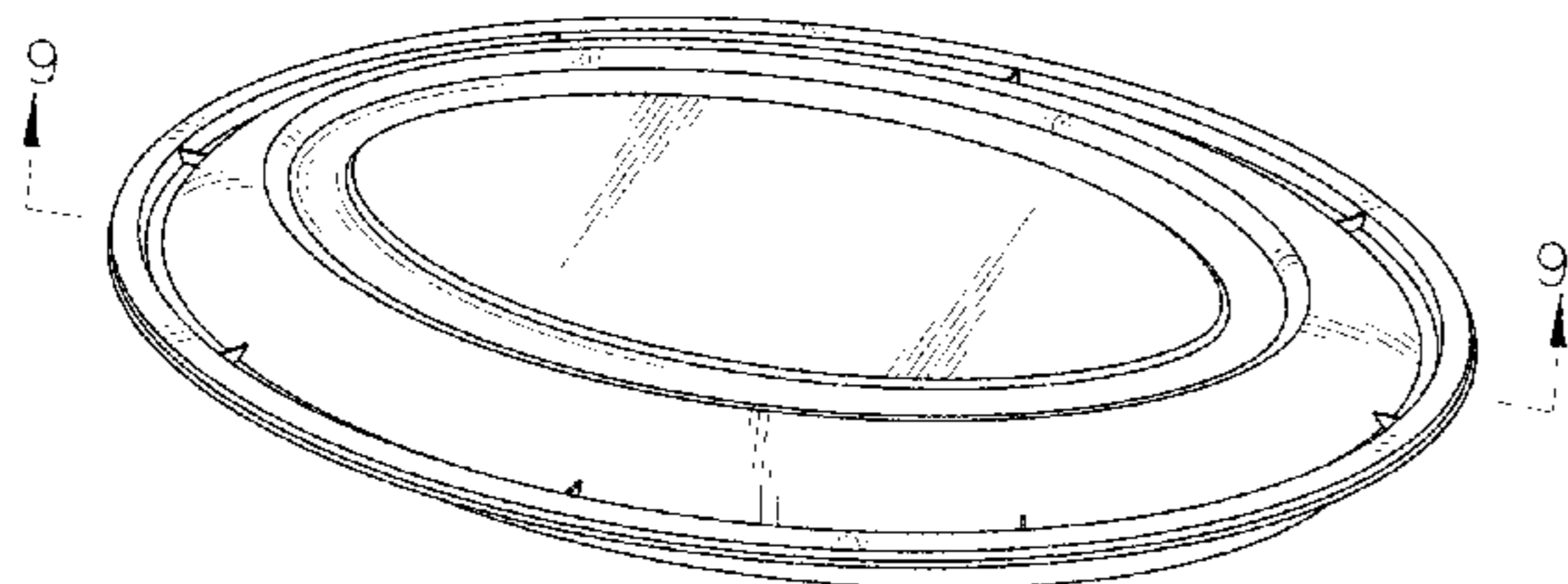
(57) **CLAIM**

The ornamental design for a combined container with lid, as shown and described.

**DESCRIPTION**

FIG. 1 is a top front perspective view of a combined container with lid showing my new design;  
FIG. 2 is a top view thereof;  
FIG. 3 is a bottom view thereof;  
FIG. 4 is a front view thereof, the rear view being the same;  
FIG. 5 is a side view thereof, the other side view being the same;  
FIG. 6 is a bottom front perspective view thereof;  
FIG. 7 is an exploded top front perspective view thereof;  
FIG. 8 is an exploded bottom front perspective view thereof;  
and,  
FIG. 9 is a cross-sectional view thereof, taken along line 9-9 of FIG. 1.

**1 Claim, 9 Drawing Sheets**



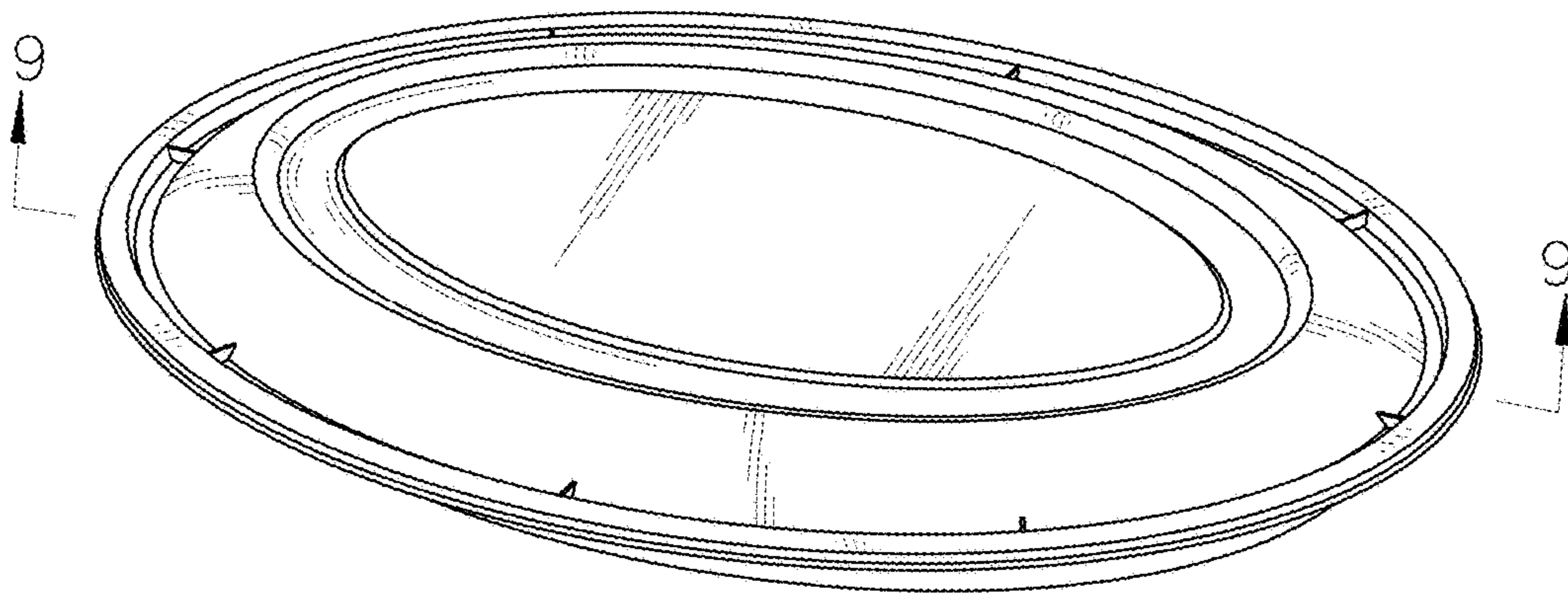


FIG. 1

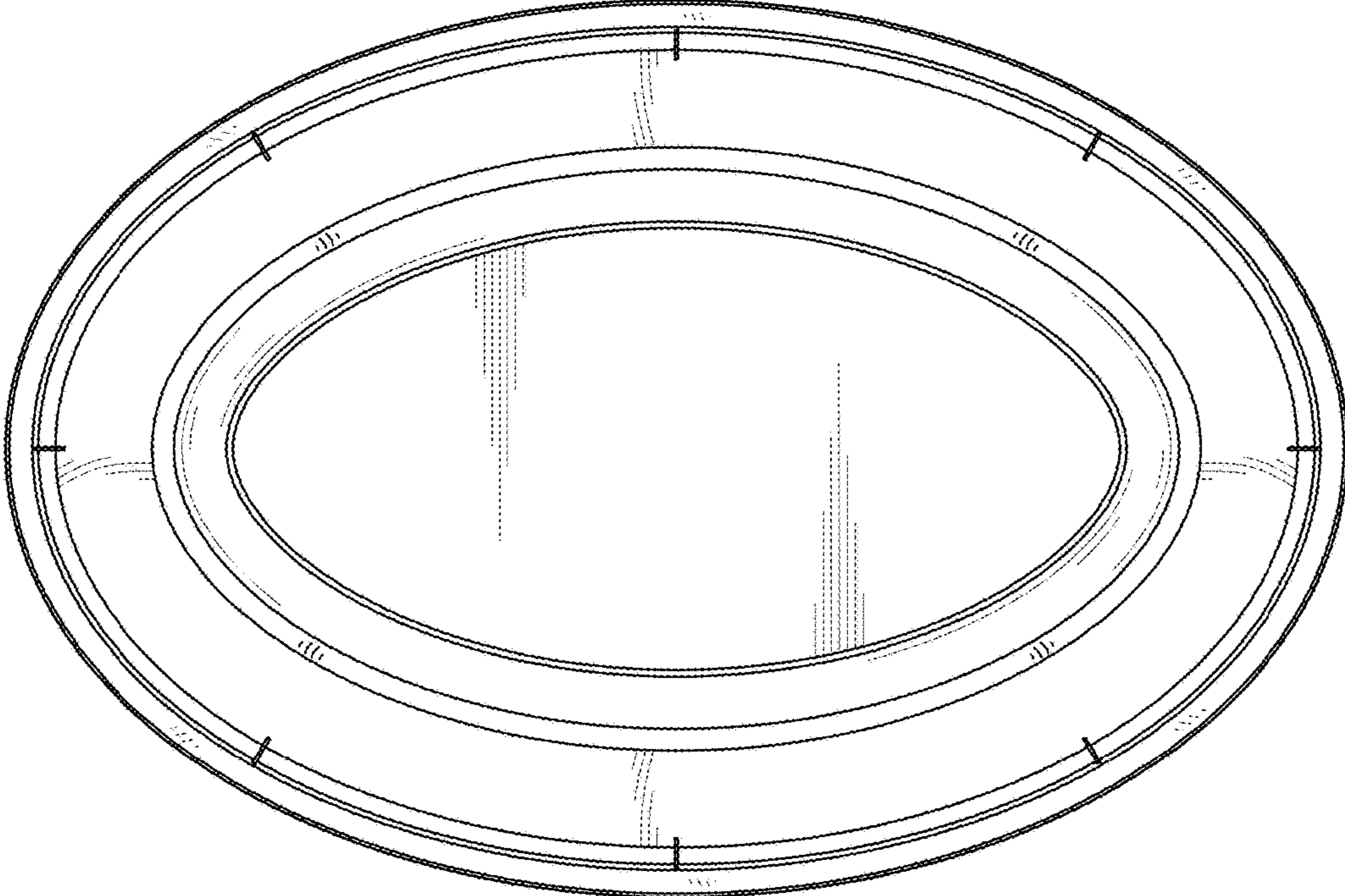


FIG. 2

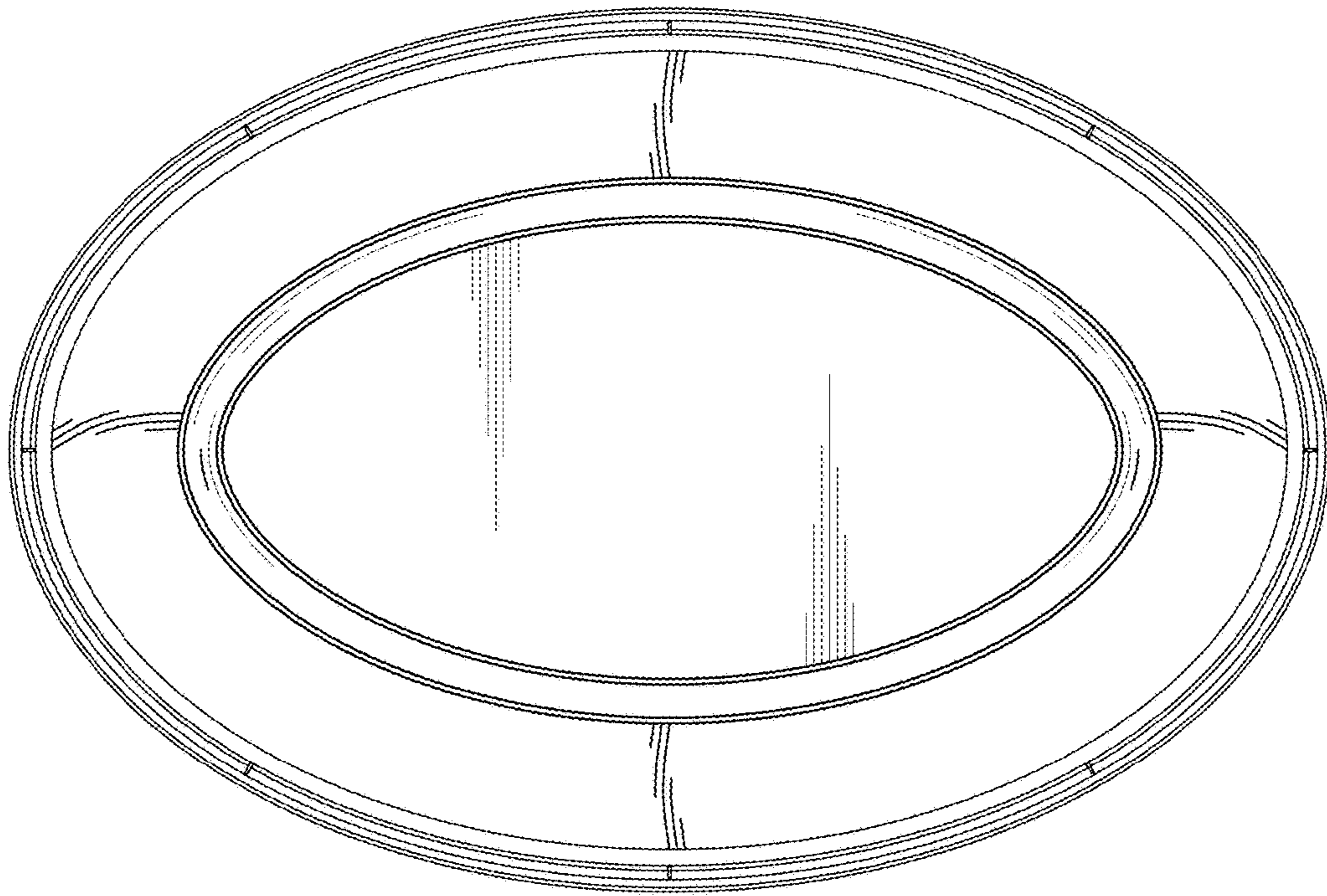


FIG. 3

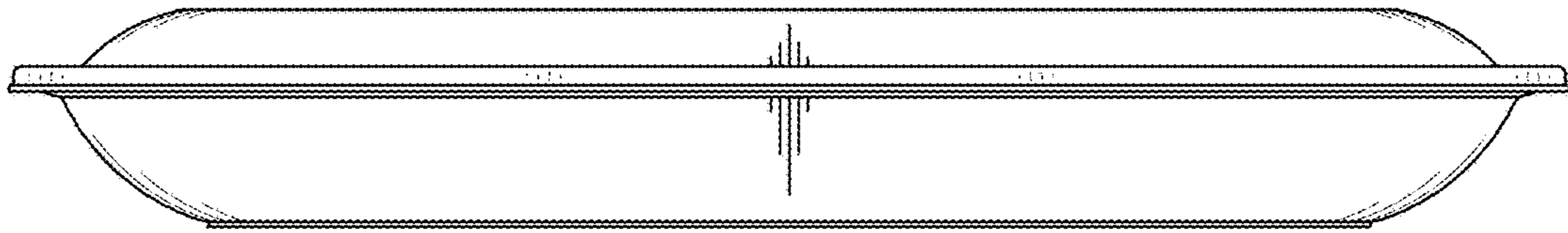


FIG. 4

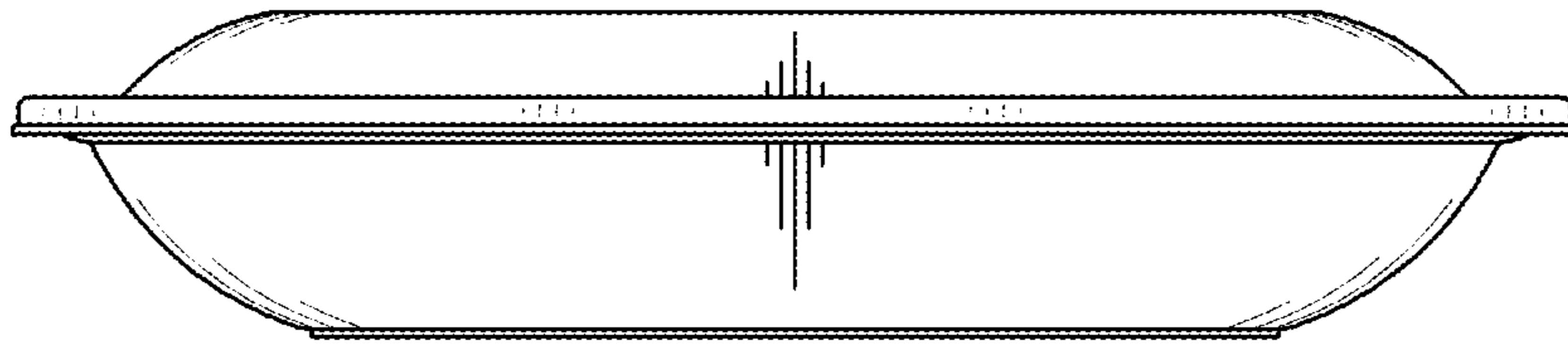


FIG. 5

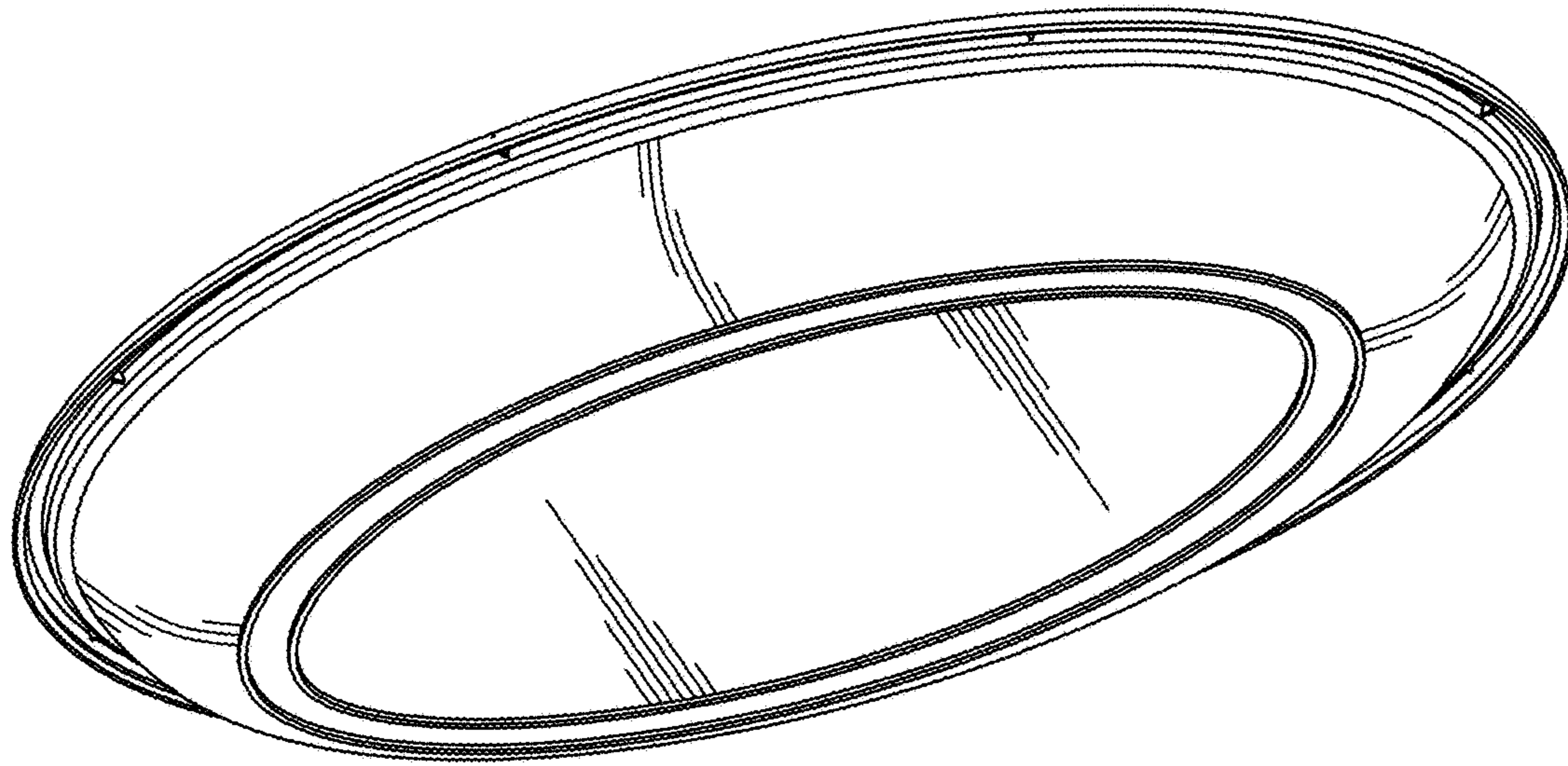


FIG. 6

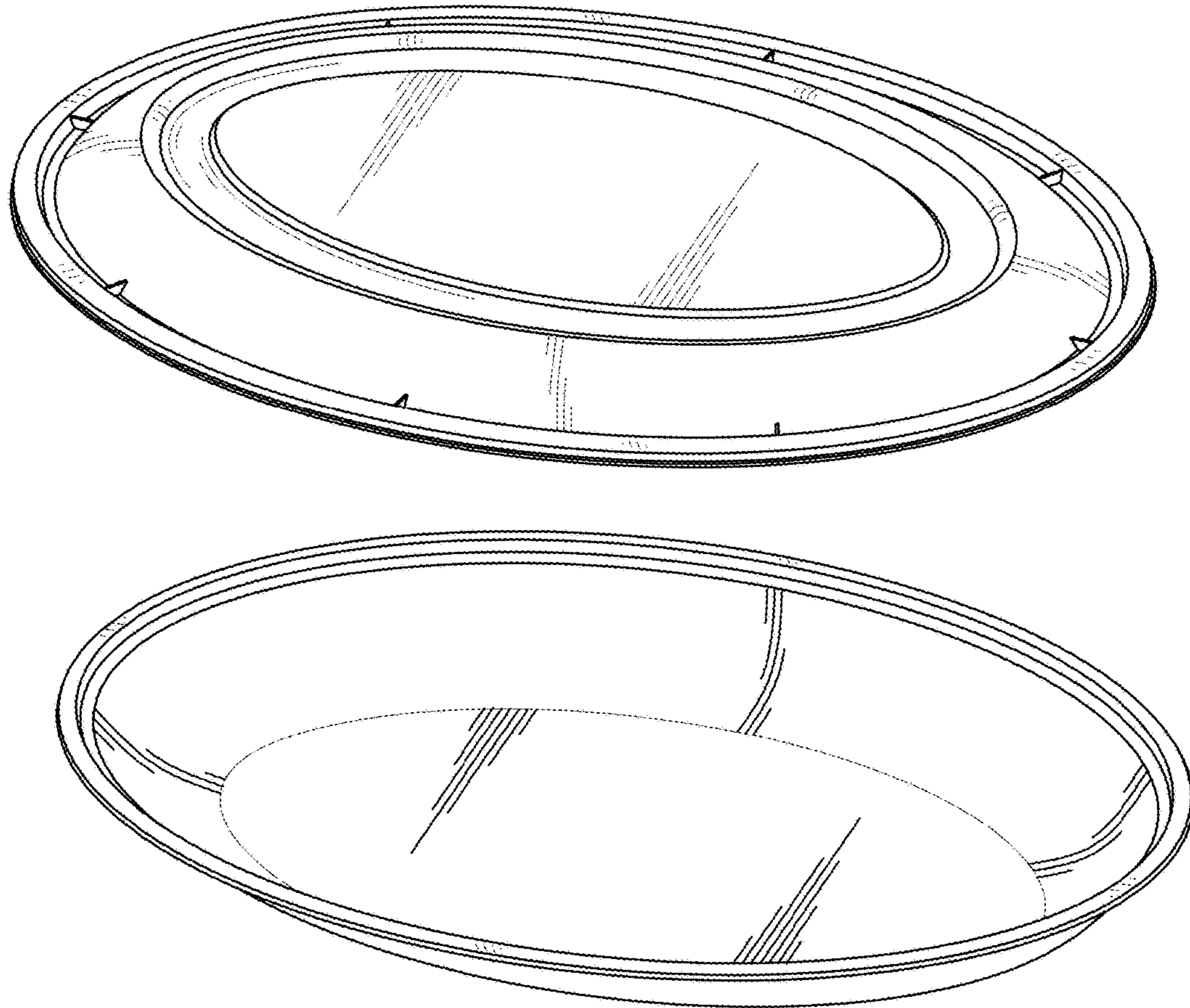


FIG. 7



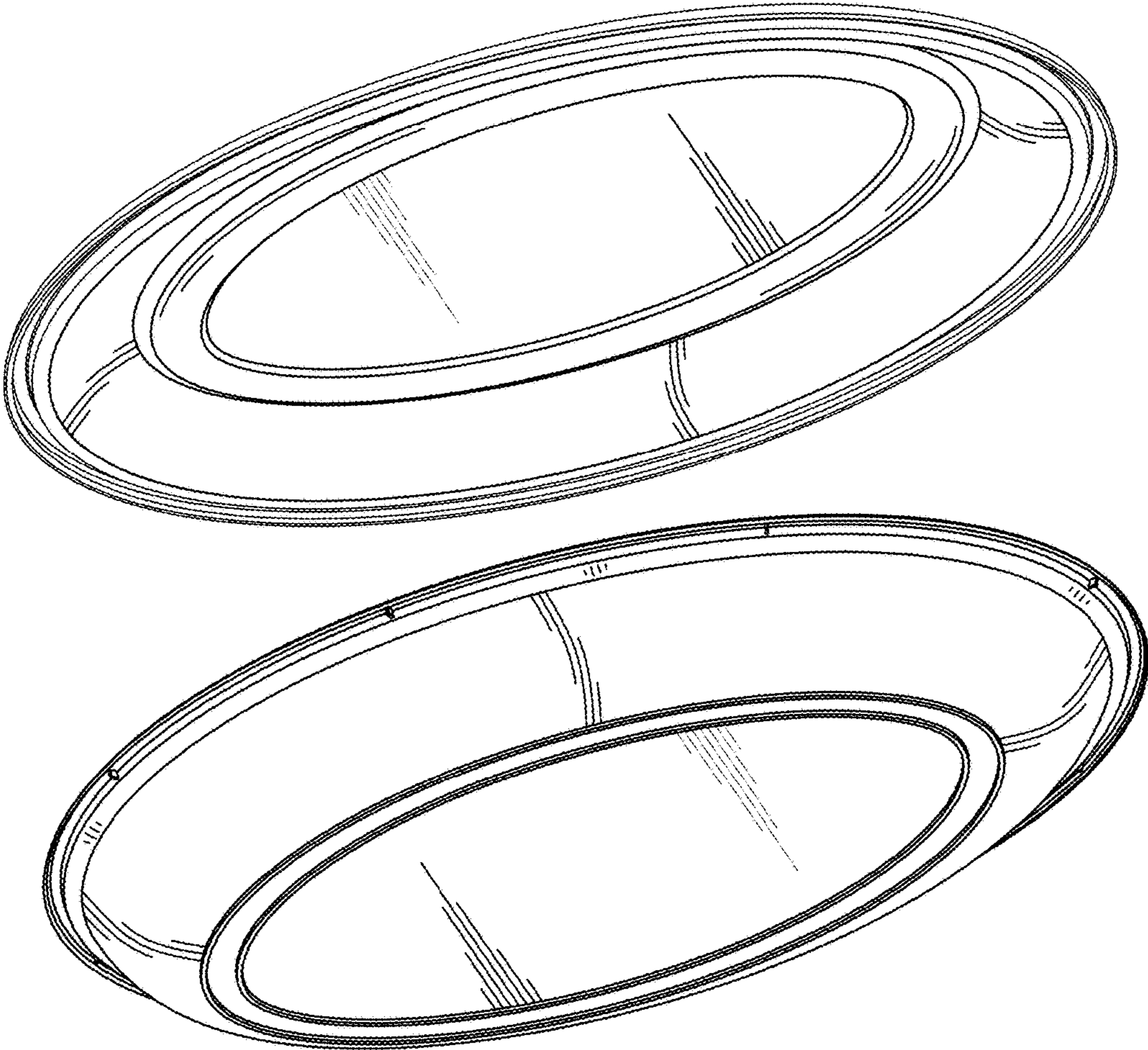


FIG. 8

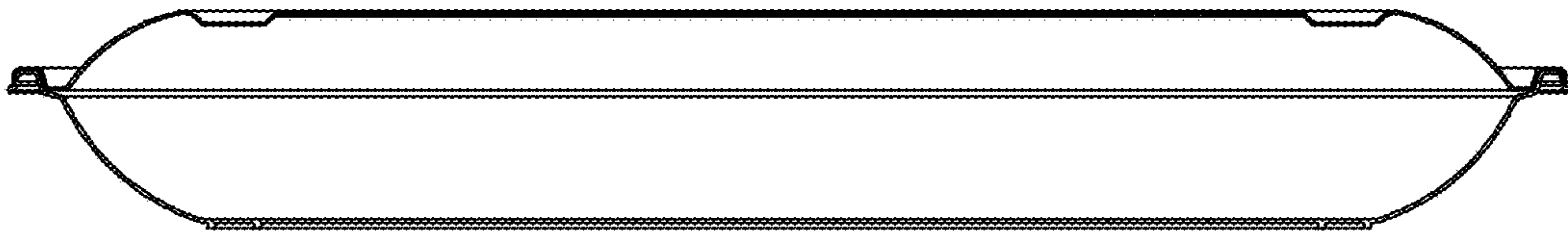


FIG. 9

UNITED STATES PATENT AND TRADEMARK OFFICE  
**CERTIFICATE OF CORRECTION**

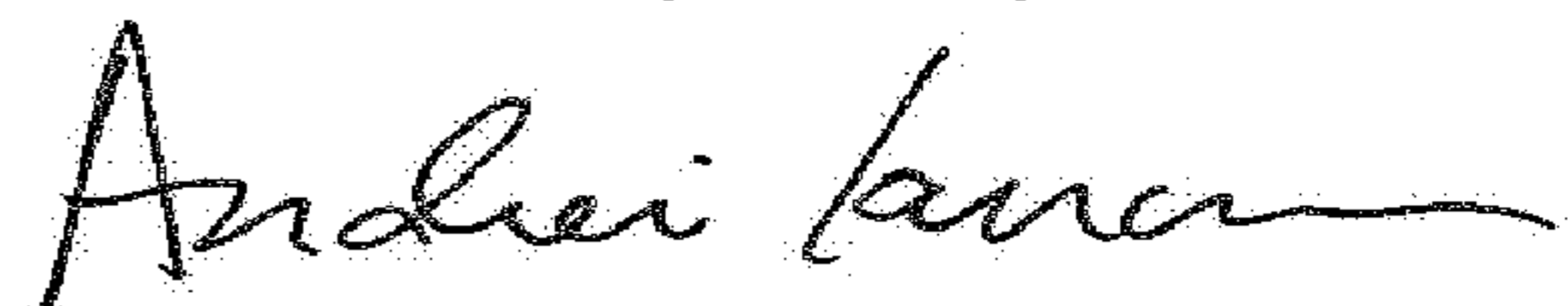
PATENT NO. : D811,872 S  
APPLICATION NO. : 29/565770  
DATED : March 6, 2018  
INVENTOR(S) : Jingdong Wu

Page 1 of 1

It is certified that error appears in the above-identified patent and that said Letters Patent is hereby corrected as shown below:

In the title (54), please change "WITH" to --AND--

Signed and Sealed this  
Third Day of July, 2018



Andrei Iancu  
*Director of the United States Patent and Trademark Office*