



US00D811871S

(12) **United States Design Patent**
Tinoco

(10) **Patent No.:** **US D811,871 S**
(45) **Date of Patent:** **** Mar. 6, 2018**

(54) **TAMPER EVIDENT PACKAGE WITH SPIRAL FEATURE**

(71) Applicant: **LaserSharp FlexPak services, LLC**,
Vadnais Heights, MN (US)

(72) Inventor: **Juan Carlos Tinoco**, Vadnais Heights,
MN (US)

(73) Assignee: **Lasersharpp Flexpak Services, LLC**,
Vadnais Heights, MN (US)

(**) Term: **15 Years**

(21) Appl. No.: **29/570,843**

(22) Filed: **Jul. 12, 2016**

Related U.S. Application Data

(63) Continuation of application No. 14/757,814, filed on
Dec. 23, 2015.

(51) **LOC (11) Cl.** **09-03**

(52) **U.S. Cl.**
USPC **D9/416**

(58) **Field of Classification Search**
USPC D9/414-418, 600, 702, 710, 707, 732;
D14/440, 230; D3/233; D7/354;
D19/65, 11
CPC B65D 79/02
See application file for complete search history.

(56) **References Cited**

U.S. PATENT DOCUMENTS

D545,690 S *	7/2007	Tsutsumi	D9/732
D548,616 S *	8/2007	Tsutsumi	D9/732
D551,090 S *	9/2007	Tsutsumi	D9/732
D554,530 S *	11/2007	Tsutsumi	D9/732
D558,062 S *	12/2007	Higo	D9/732
D580,981 S *	11/2008	Lau	D19/65

D595,773 S *	7/2009	Lau	D19/65
D596,495 S *	7/2009	Dodd	D9/415
D601,039 S *	9/2009	Duquet	D9/732
D608,583 S *	1/2010	Millsap	D7/354
D616,294 S *	5/2010	Britt	D9/414
D641,792 S *	7/2011	Turner	D19/11
D664,126 S *	7/2012	Feit	D14/230
D682,084 S *	5/2013	Pierre	D9/415
D686,502 S *	7/2013	Meyer	D9/600
D721,079 S *	1/2015	Fujioka	D14/440
D739,722 S *	9/2015	Burton	D9/414
D743,807 S *	11/2015	First	D9/702
D747,604 S *	1/2016	Kurtz	D3/233
D751,416 S *	3/2016	Halverson, III	D9/702
D768,007 S *	10/2016	Kim	D9/710

(Continued)

Primary Examiner — Rhea Shields

(74) *Attorney, Agent, or Firm* — Law Office of Scott C
Harris, Inc

(57) **CLAIM**

The ornamental design for a tamper evident package with
spiral feature, as shown and described.

DESCRIPTION

FIG. 1 is a top perspective view of the package opening
showing the unwound spiral that constitutes a tamper evi-
dence feature;

FIG. 2 is a first side view of the opened package;

FIG. 3 shows a second side view of the opened package;

FIG. 4 shows a front on view of the tamper evident package;

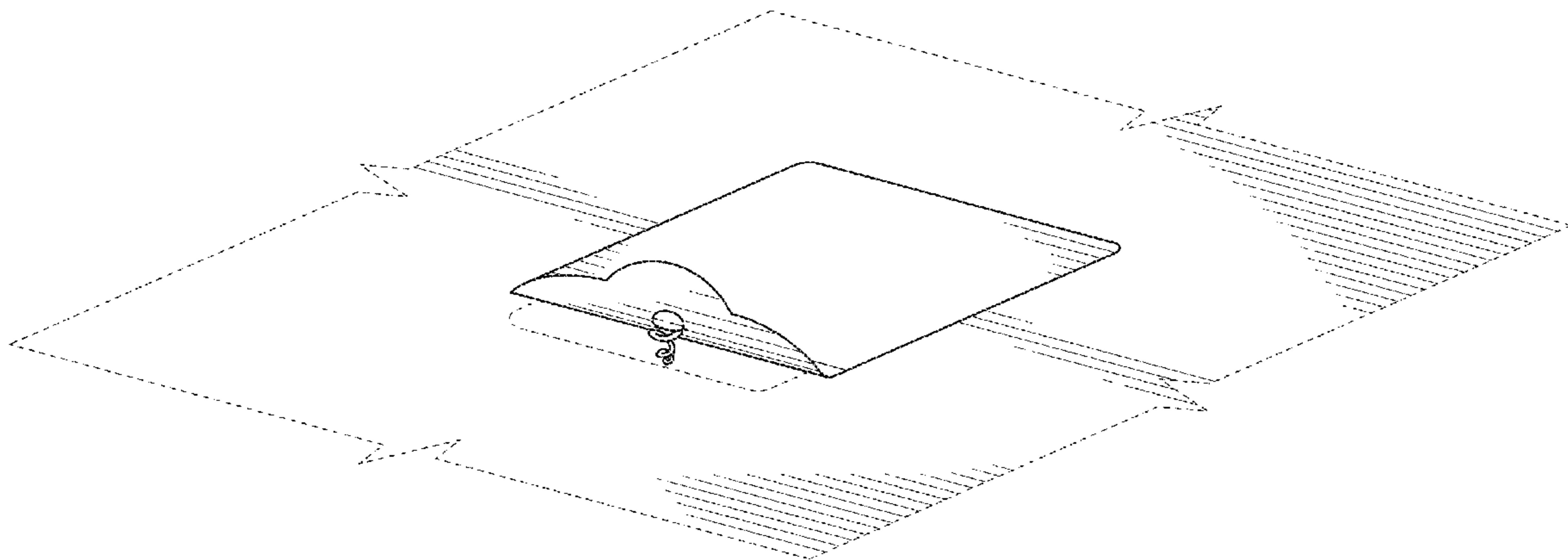
FIG. 5 shows a fourth side view of the tamper evident
package;

FIG. 6 shows a top view of the package; and,

FIG. 7 shows a bottom view of the package.

The package is shown with a symbolic break in its length
and width. The appearance of any portion of the article
between the break lines forms no part of the claimed design.

1 Claim, 3 Drawing Sheets



(56)

References Cited

U.S. PATENT DOCUMENTS

D782,325 S * 3/2017 Gray D9/707
2016/0221740 A1* 8/2016 Tinoco B65D 79/02

* cited by examiner

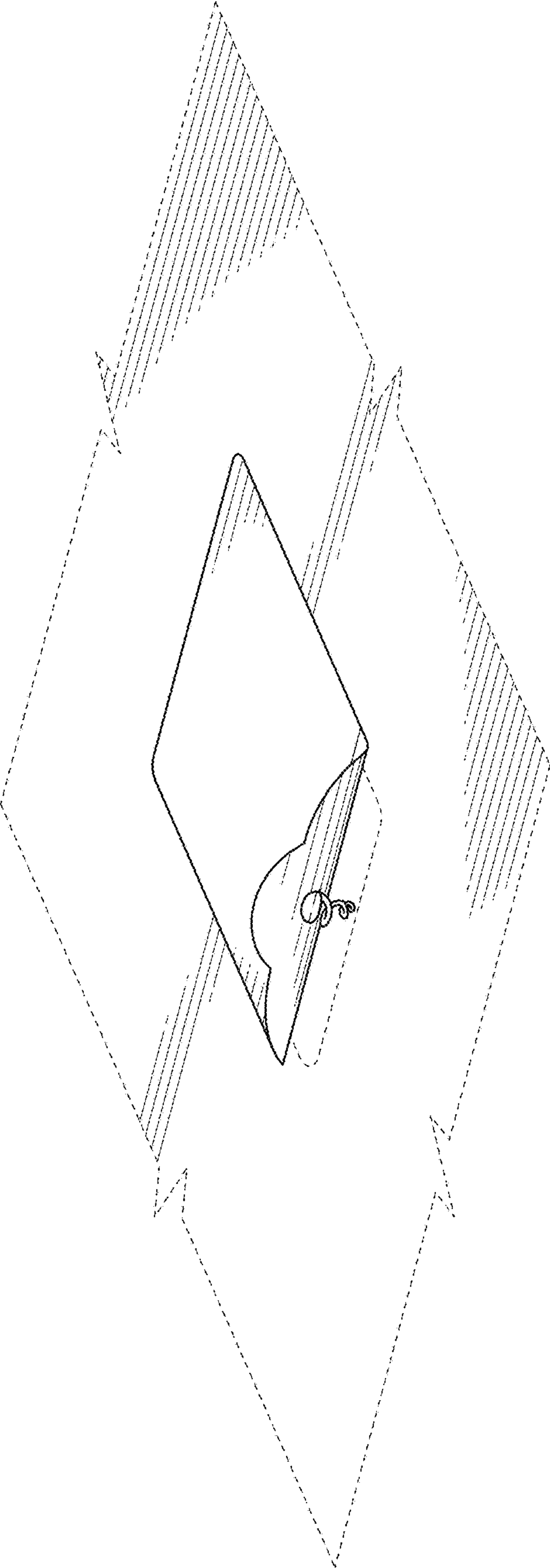


FIG. 1



FIG. 2



FIG. 3

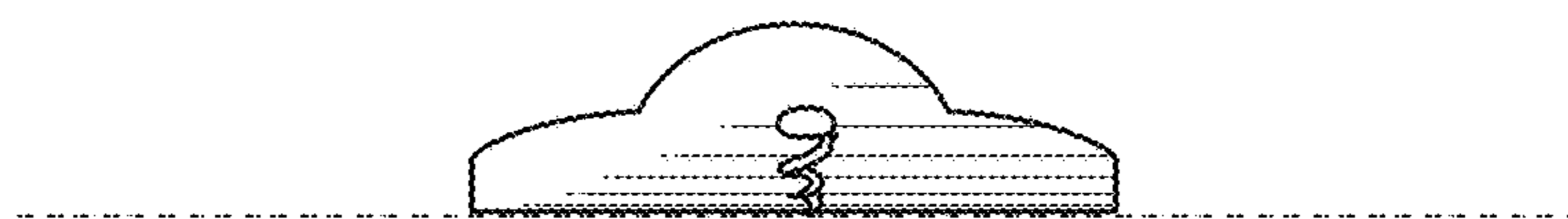


FIG. 4

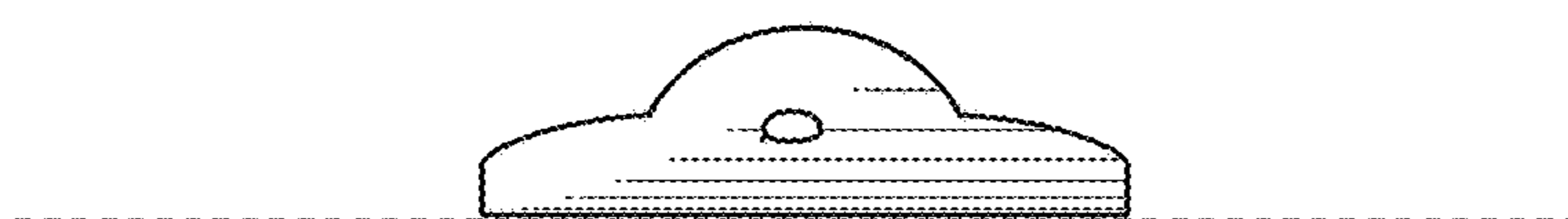


FIG. 5

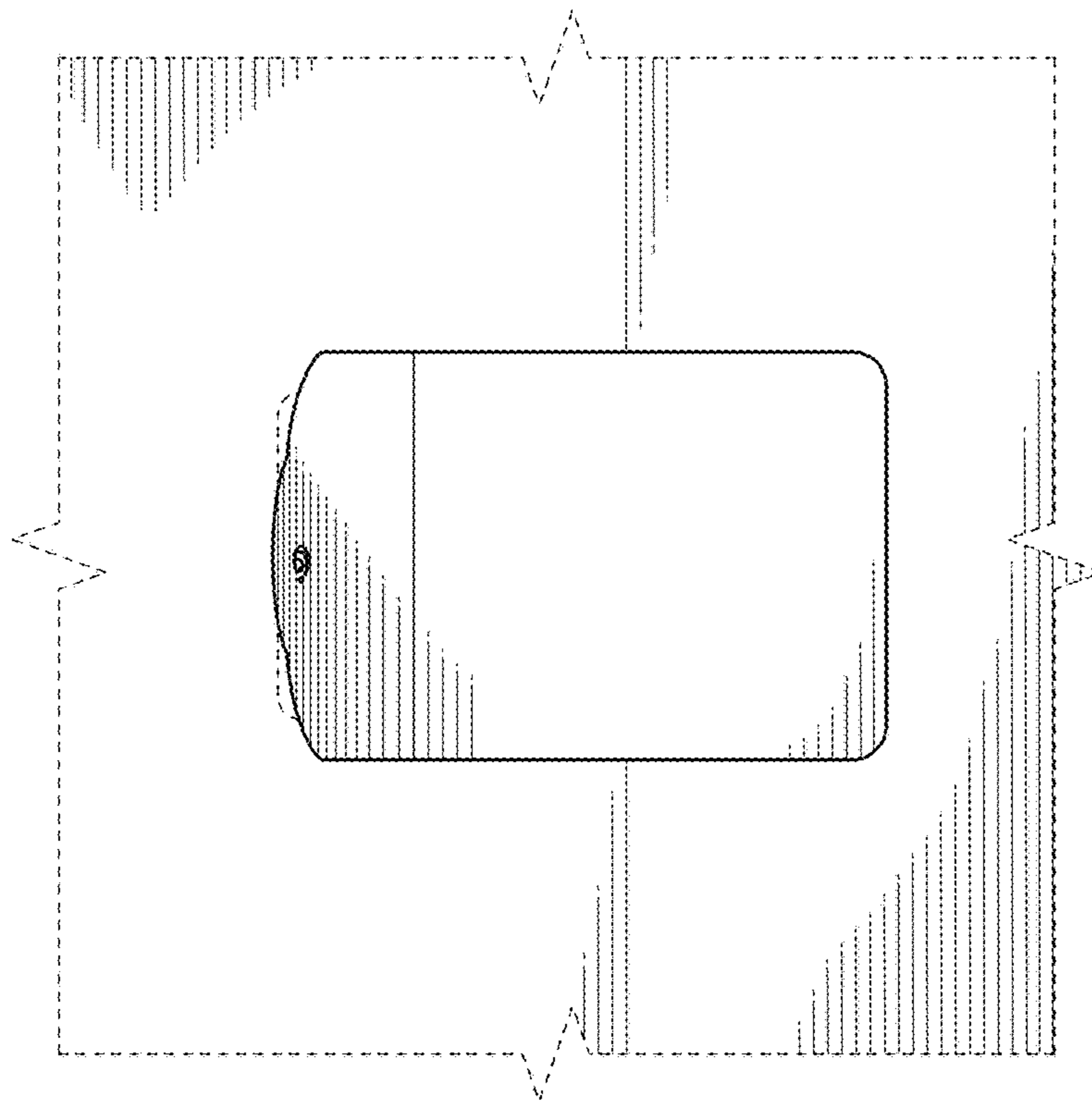


FIG. 6

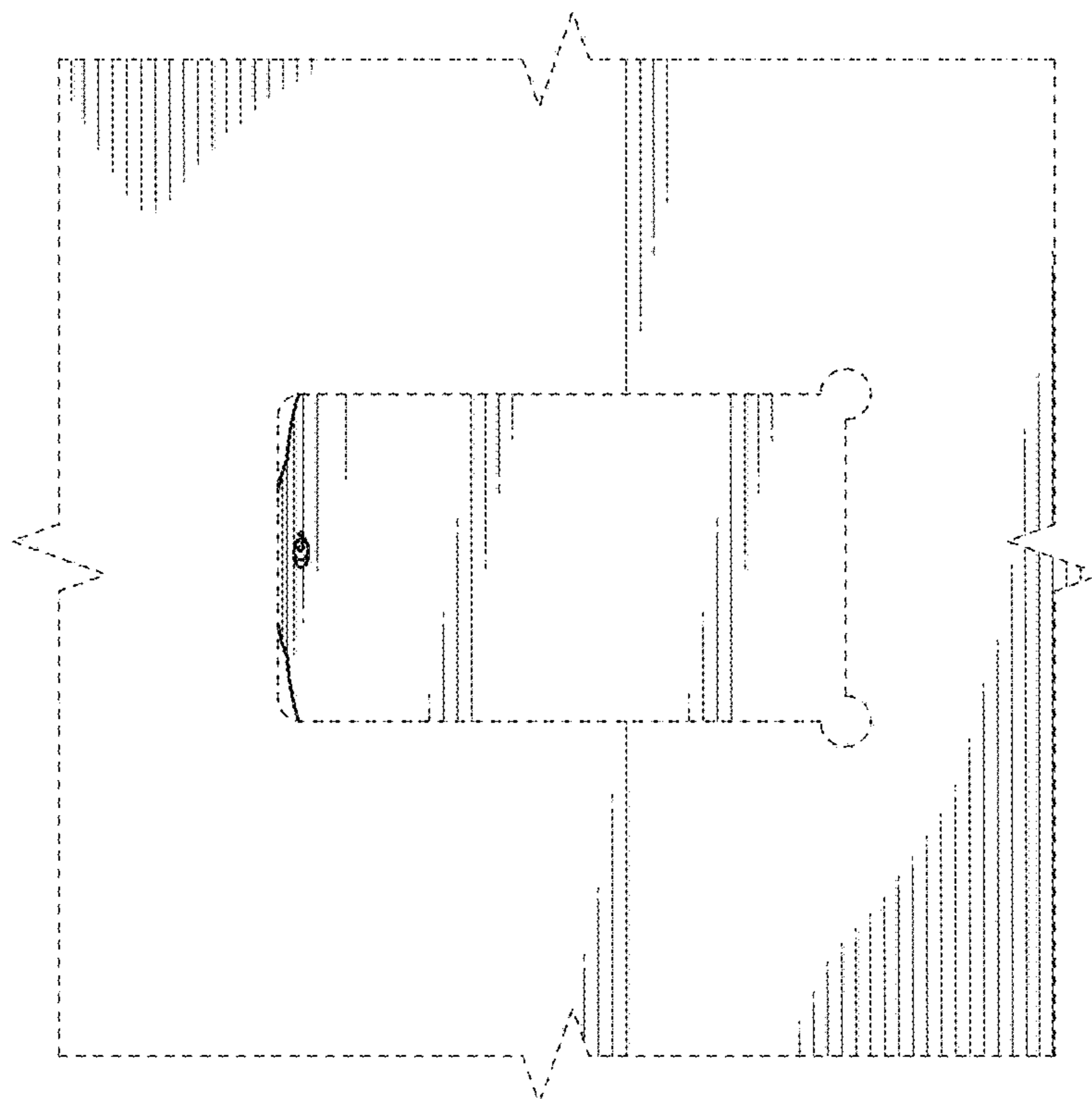


FIG. 7