



US00D811869S

(12) **United States Design Patent** (10) **Patent No.:** **US D811,869 S**
Gallion et al. (45) **Date of Patent:** **** Mar. 6, 2018**

(54) **BLIND HOLE MOUNT**

(71) Applicant: **HellermannTyton Corporation,**
Milwaukee, WI (US)

(72) Inventors: **Justin Gallion,** Milwaukee, WI (US);
Jonathan Zick, Waukesha, WI (US)

(73) Assignee: **HELLERMANN TYTON**
CORPORATION, Milwaukee, WI
(US)

(**) Term: **15 Years**

(21) Appl. No.: **29/608,018**

(22) Filed: **Jun. 19, 2017**

Related U.S. Application Data

(62) Division of application No. 29/537,348, filed on Aug.
25, 2015, now Pat. No. Des. 793,215.

(51) **LOC (11) Cl.** **08-08**

(52) **U.S. Cl.**
USPC **D8/394**

(58) **Field of Classification Search**
USPC D8/350, 354, 355, 356, 359, 366, 367,
D8/373, 374, 394, 349, 395; D11/200,
D11/201, 206, 221; D13/152, 154, 155;
D17/99
CPC F16B 1/00; H02G 3/32
See application file for complete search history.

(56) **References Cited**

U.S. PATENT DOCUMENTS

D274,214 S * 6/1984 de Vos D8/373
D277,546 S * 2/1985 Trotta D8/373

D319,571 S * 9/1991 Bennett D8/356
D326,404 S * 5/1992 Spell D8/356
D362,174 S * 9/1995 Sachs D8/354
D384,877 S * 10/1997 Perrin D8/354
D447,048 S * 8/2001 Beloff D8/395
D474,679 S * 5/2003 Malin D8/394
D516,904 S * 3/2006 Kendrick D8/395
D523,330 S * 6/2006 Mattesky D8/395
D600,543 S * 9/2009 Coles D8/395
D623,508 S * 9/2010 Reichle D8/394
D666,478 S * 9/2012 Chou D8/373
D691,460 S * 10/2013 Stanic D8/354
D732,382 S * 6/2015 Zalanca D8/394
D767,372 S * 9/2016 Itou H02G 3/26
D8/356
D793,215 S * 8/2017 Gallion D8/394

* cited by examiner

Primary Examiner — Cynthia Ramirez

Assistant Examiner — Michael A Maharajh

(74) *Attorney, Agent, or Firm* — Robert J. Myers

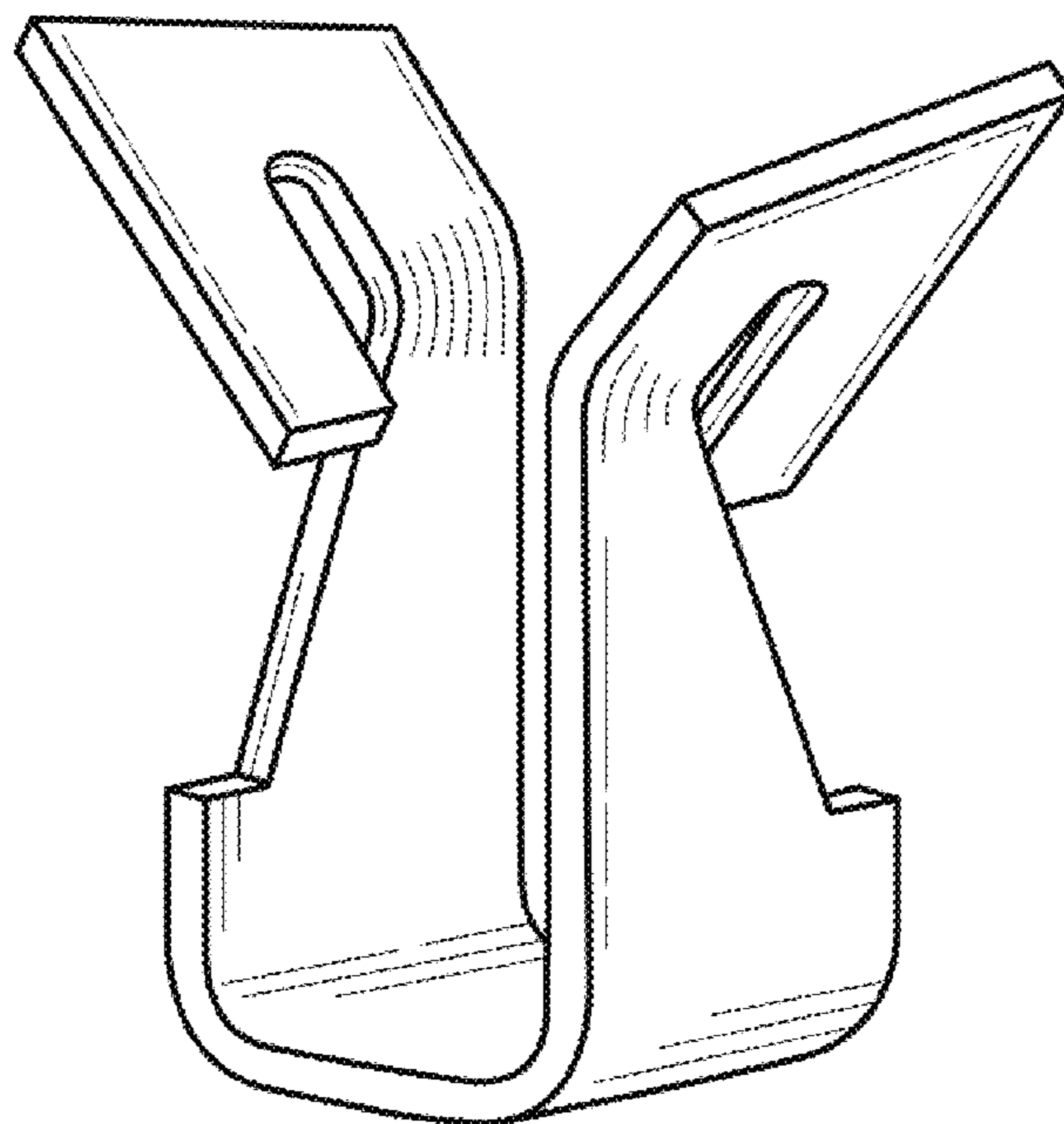
(57) **CLAIM**

The ornamental design for a blind hole mount, as shown and described.

DESCRIPTION

FIG. 1 is a perspective view of a blind hole mount showing our new design;
FIG. 2 is a front elevation view thereof, the rear elevation view being identical;
FIG. 3 is a right side elevation view thereof, the left side elevation view being identical;
FIG. 4 is a top plan view thereof; and,
FIG. 5 is a bottom plan view thereof.

1 Claim, 1 Drawing Sheet



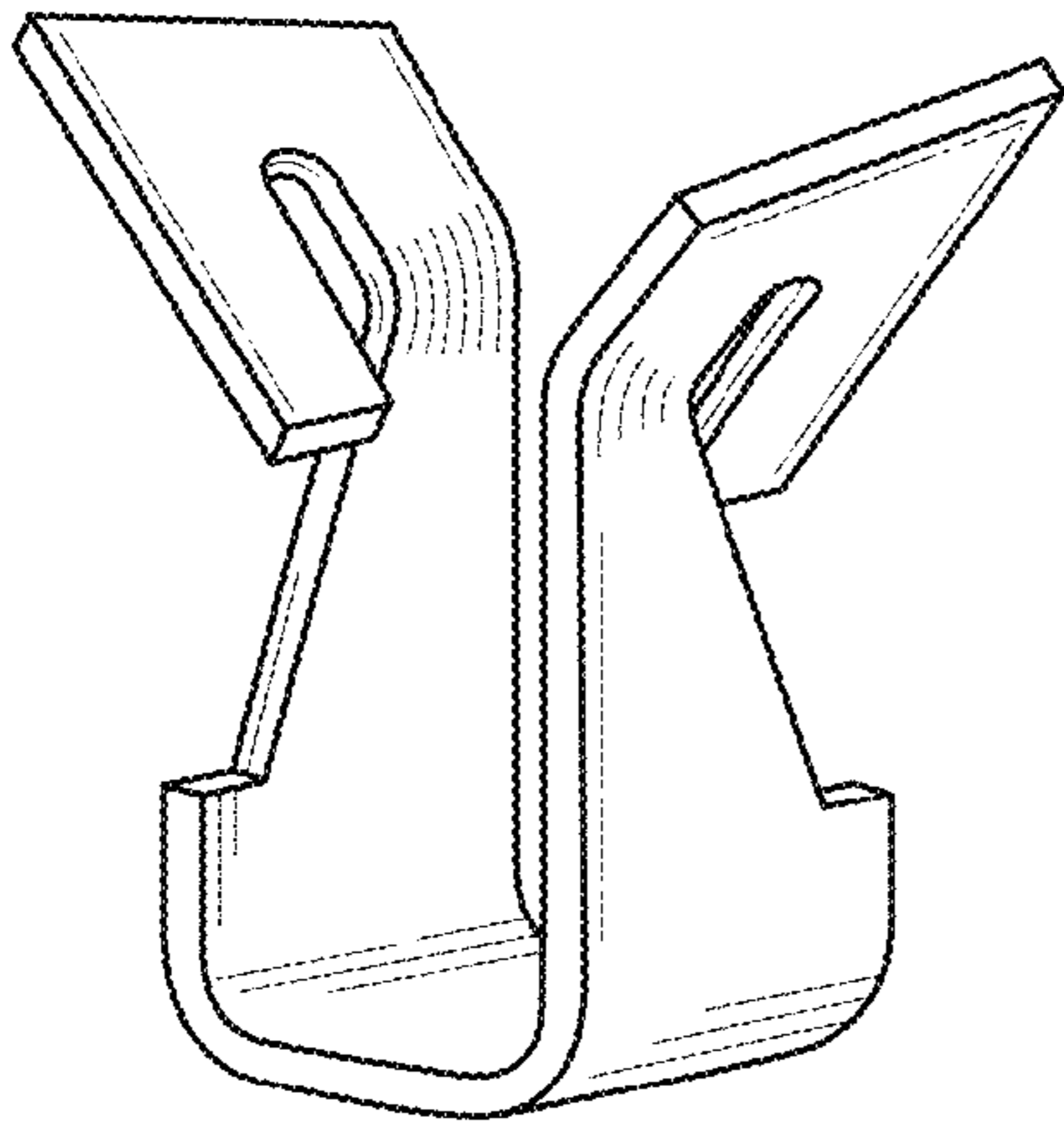


Fig. 1

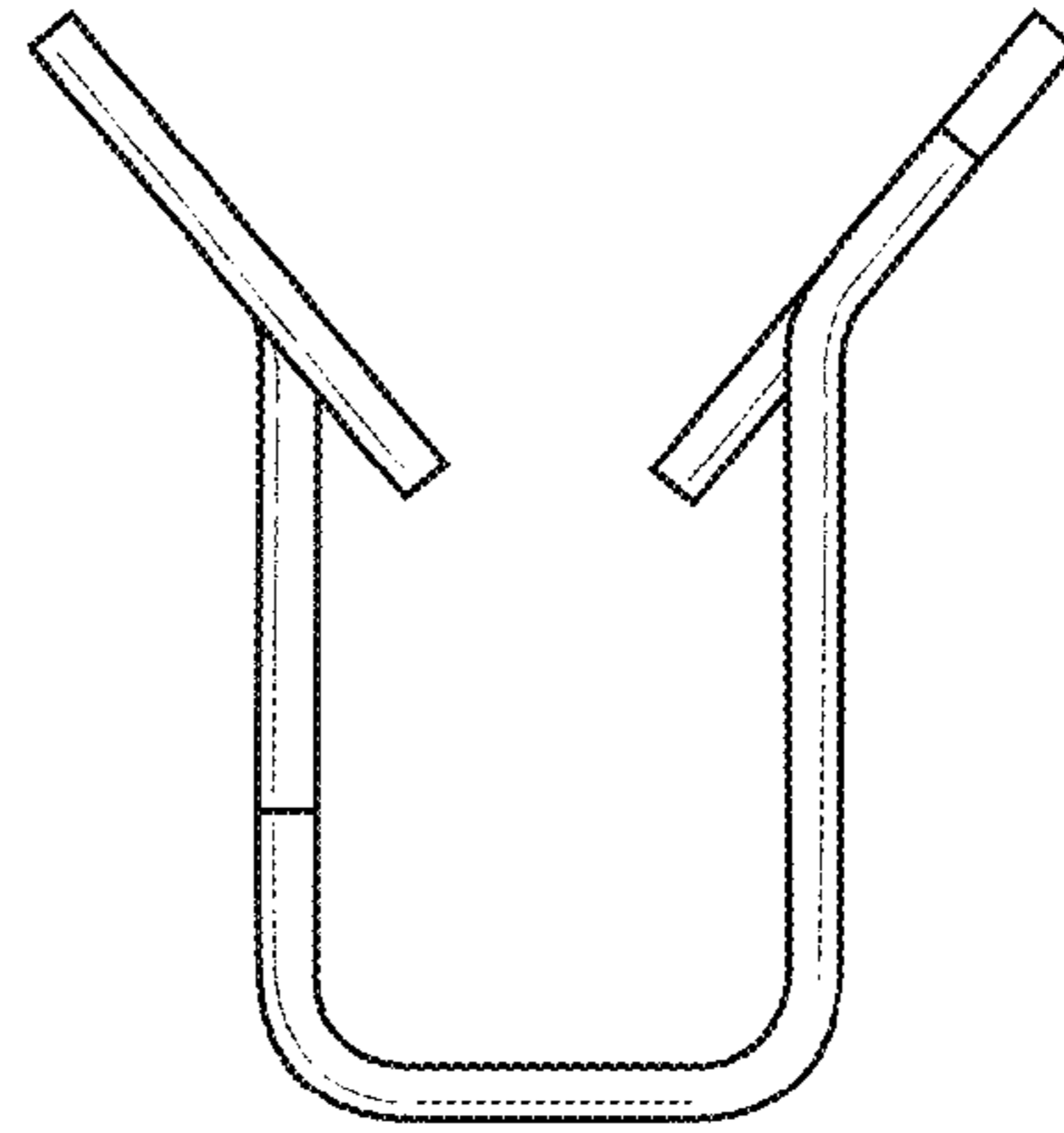


Fig. 2

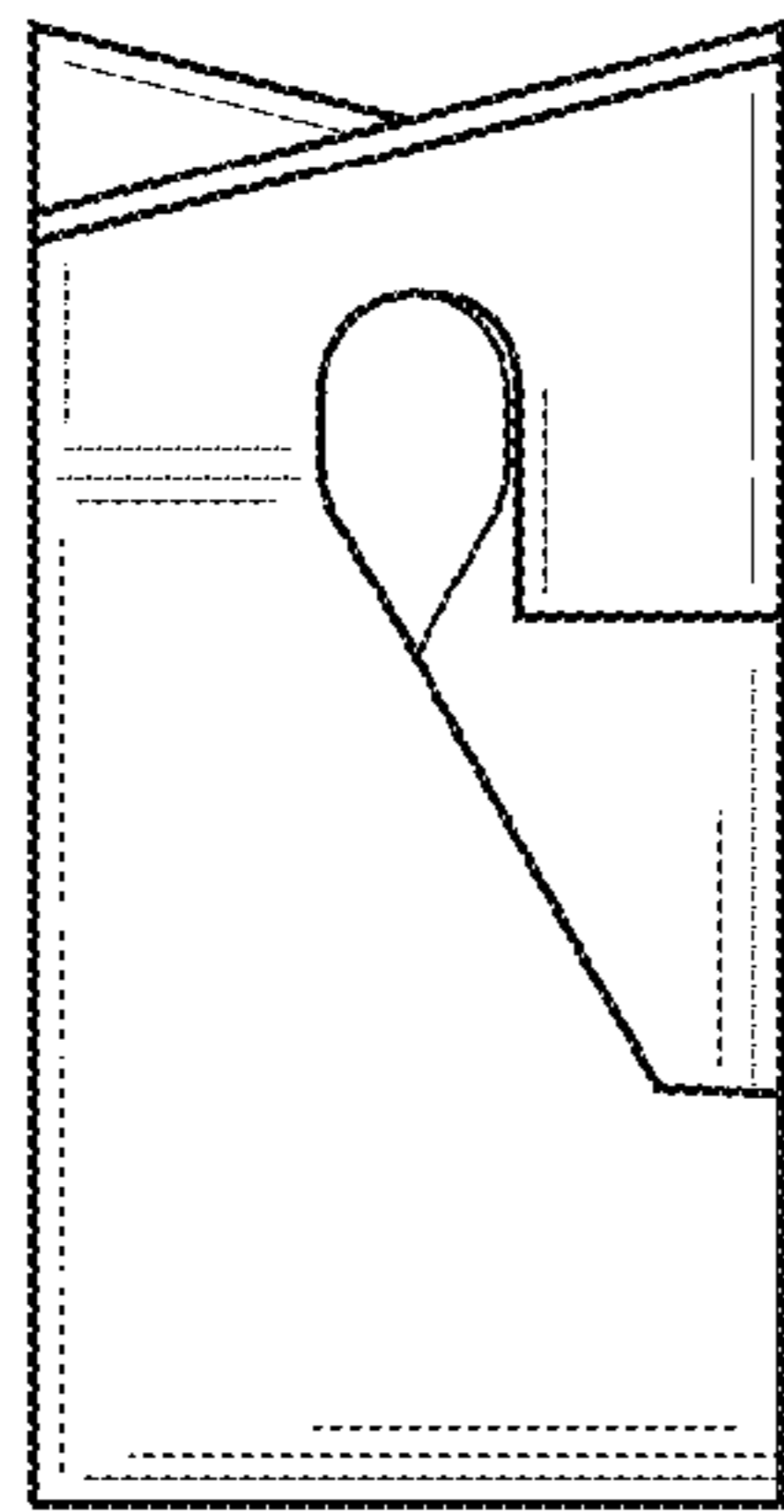


Fig. 3

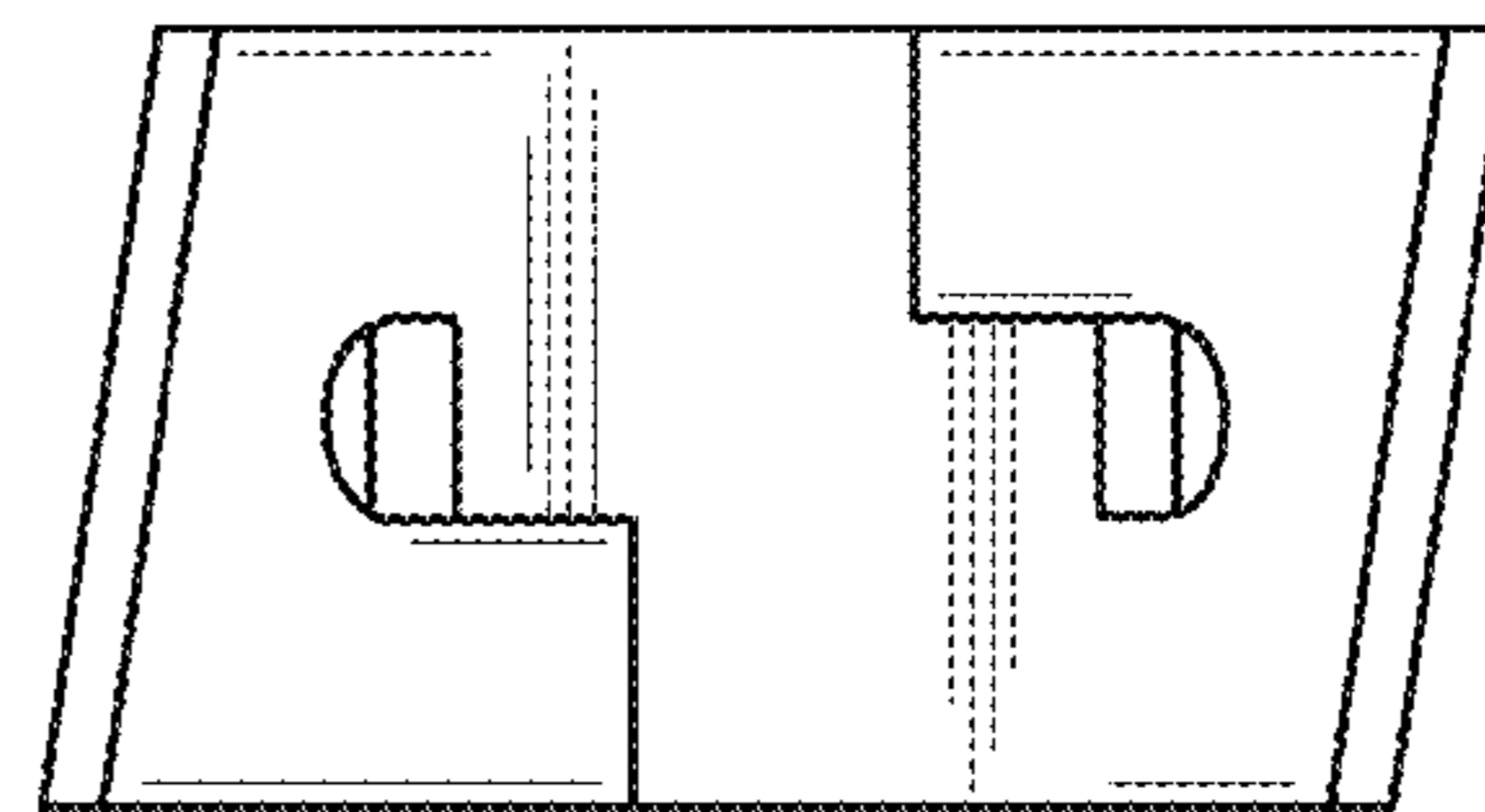


Fig. 4

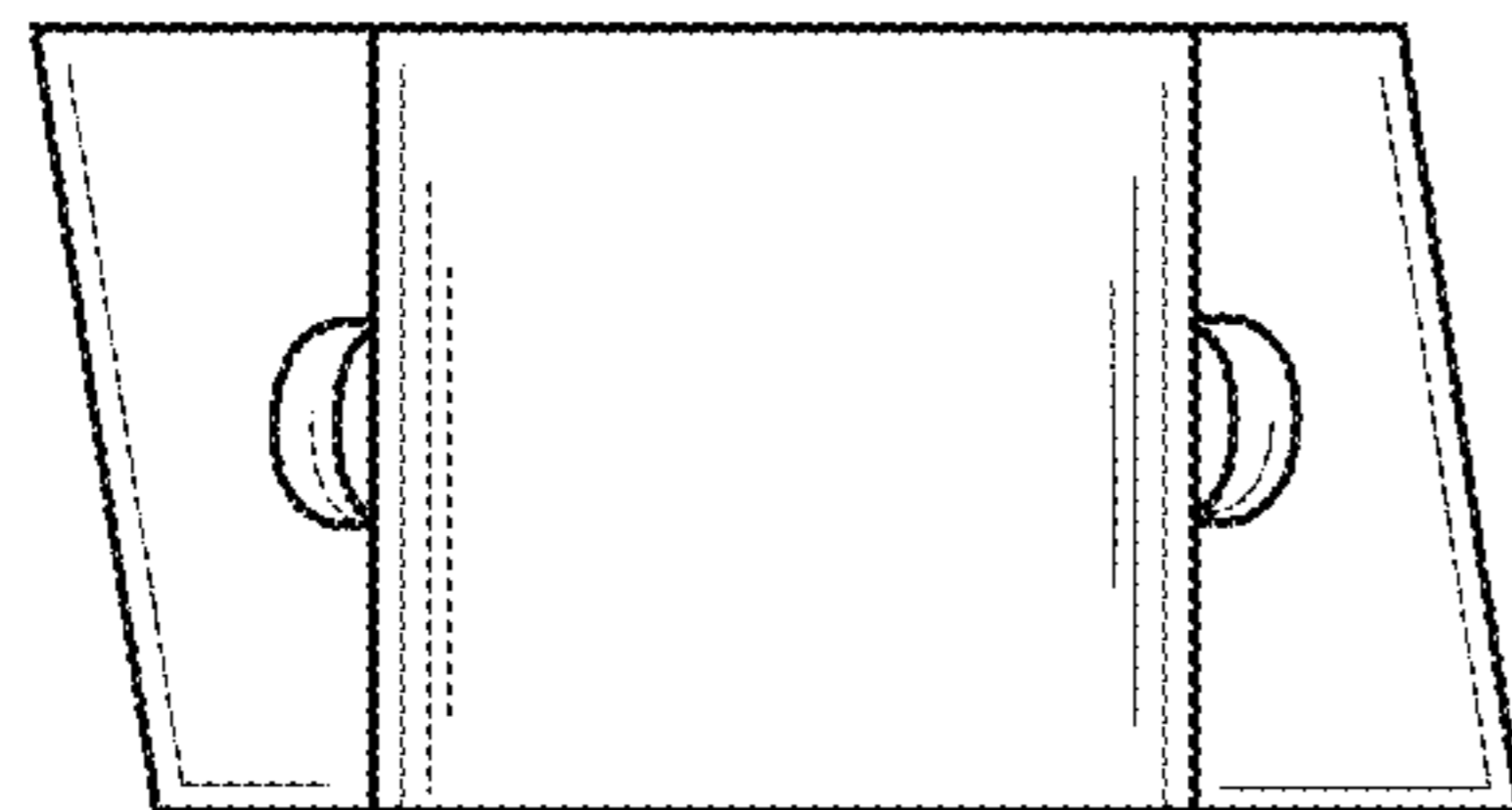


Fig. 5