



US00D811868S

(12) **United States Design Patent**
Totsu

(10) **Patent No.:** **US D811,868 S**
(45) **Date of Patent:** **** Mar. 6, 2018**

- (54) **SCREW**
- (71) Applicant: **Katsuyuki Totsu**, Sumida-ku (JP)
- (72) Inventor: **Katsuyuki Totsu**, Sumida-ku (JP)
- (**) Term: **15 Years**
- (21) Appl. No.: **29/572,388**
- (22) Filed: **Jul. 27, 2016**
- (51) **LOC (11) Cl.** **08-08**
- (52) **U.S. Cl.**
USPC **D8/387**
- (58) **Field of Classification Search**
USPC D8/382, 387, 388, 391, 393, 397, 399
CPC .. F16B 23/00; F16B 23/0007; F16B 23/0023;
F16B 25/001; F16B 25/0015; F16B
25/0021; F16B 25/0026; F16B 33/02;
F16B 35/00; F16B 35/06; Y10S 411/91;
Y10S 411/914; Y10S 411/919
See application file for complete search history.

5,641,258 A * 6/1997 Sala F16B 23/003
411/402
D418,048 S * 12/1999 Chan D8/387
6,341,546 B1 * 1/2002 Totsu B25B 15/005
411/404
6,843,729 B2 * 1/2005 Hughes B25B 15/005
470/11

(Continued)

FOREIGN PATENT DOCUMENTS

JP 1996145024 A 6/1996
JP 3863924 B 12/2006

Primary Examiner — Sandra Snapp
Assistant Examiner — Ieisha Price
(74) *Attorney, Agent, or Firm* — Norton Rose Fulbright
US LLP

(57) **CLAIM**

The ornamental design for a screw, as shown and described.

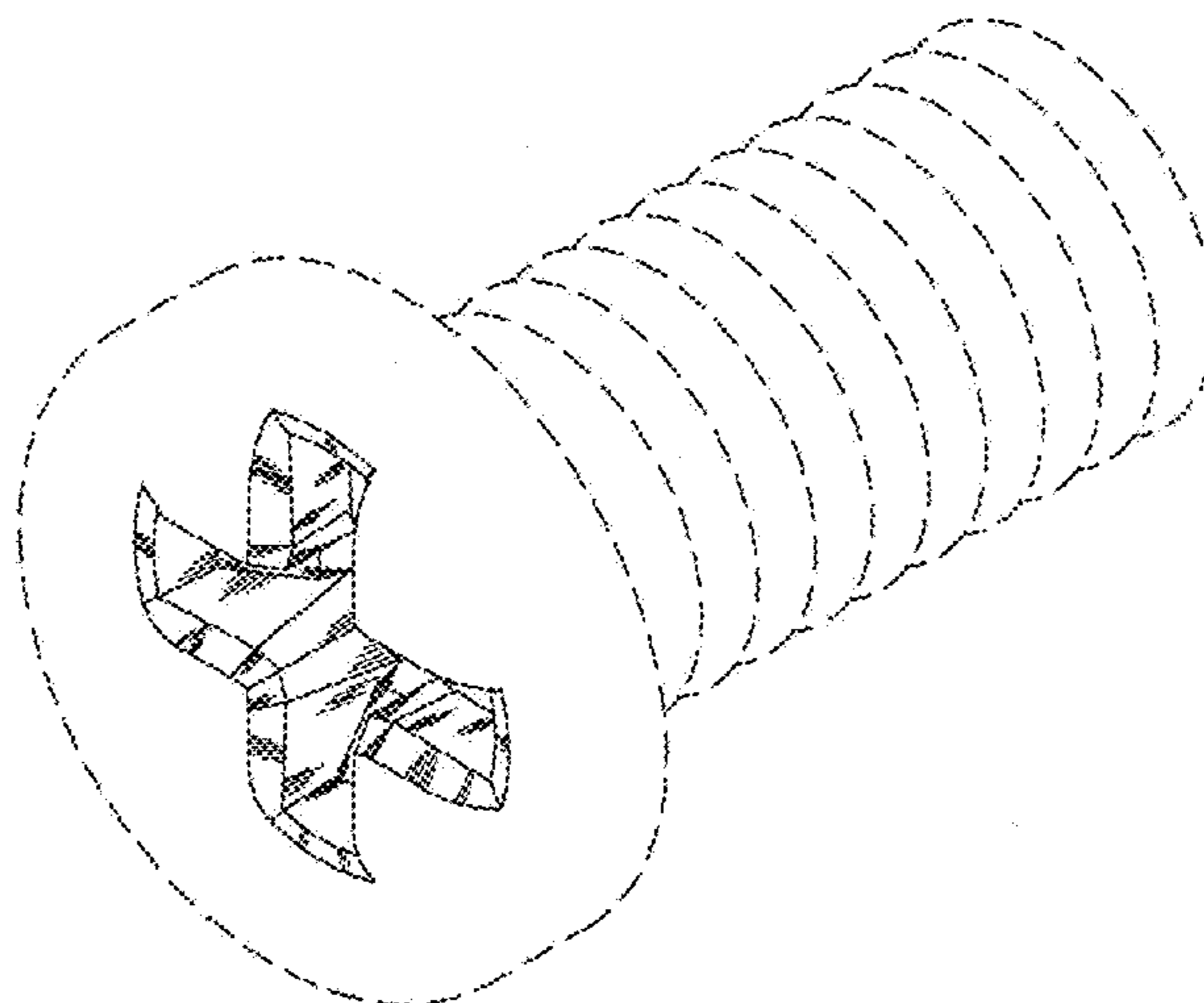
DESCRIPTION

FIG. 1 is a perspective view of the screw showing my new design, taken from the top, rear and right side thereof;
FIG. 2 is a front elevational view thereof;
FIG. 3 is a rear elevational view thereof;
FIG. 4 is a left side elevational view thereof;
FIG. 5 is a right side elevational view thereof;
FIG. 6 is a top plan view thereof;
FIG. 7 is a bottom plan view thereof;
FIG. 8 is a cross-sectional view thereof taken along the lines 8-8 in FIG. 6, illustrating the configuration of the groove formed in the screw head; and,
FIG. 9 is a cross-sectional view thereof taken along the lines 9-9 in FIG. 6, illustrating the configuration of the groove formed in the screw head.
The broken lines (where present) in all figures illustrate portions of the screw that form no part of the claimed design.

1 Claim, 9 Drawing Sheets

(56) **References Cited**
U.S. PATENT DOCUMENTS

- D104,473 S * 5/1937 Phillips D8/387
- 2,084,078 A * 6/1937 Clark B21K 1/463
470/63
- 2,216,382 A * 10/1940 West F16B 23/0023
411/403
- 2,592,462 A * 4/1952 Phipard, Jr. F16B 23/0023
411/403
- D264,552 S * 5/1982 Bogren D8/387
- D334,336 S * 3/1993 Terrels D8/387
- 5,203,657 A * 4/1993 Nagoshi F16B 35/065
411/188
- 5,203,742 A * 4/1993 Grady B21K 1/463
411/407
- 5,205,694 A * 4/1993 Nagoshi F16B 23/0023
411/399
- 5,249,882 A * 10/1993 Nagoshi F16B 35/065
411/386



(56)

References Cited

U.S. PATENT DOCUMENTS

D559,094	S *	1/2008	Totsu	D8/387
D601,004	S *	9/2009	Hagins	D8/387
D612,230	S *	3/2010	Tanner	D8/387
D646,152	S *	10/2011	Shinjo	D8/387
D654,354	S *	2/2012	Jeon	D8/387
8,261,641	B2 *	9/2012	Nojikawa	B25B 15/005 81/125
8,757,950	B2 *	6/2014	Ogawa	F16B 23/0023 411/404
D755,042	S *	5/2016	Kalis	D8/387
2003/0002952	A1 *	1/2003	Totsu	B21K 1/46 411/403
2005/0047891	A1 *	3/2005	Toyooka	F16B 23/0023 411/403
2009/0257844	A1 *	10/2009	Chou	F16B 23/0023 411/410

* cited by examiner

FIG. 1

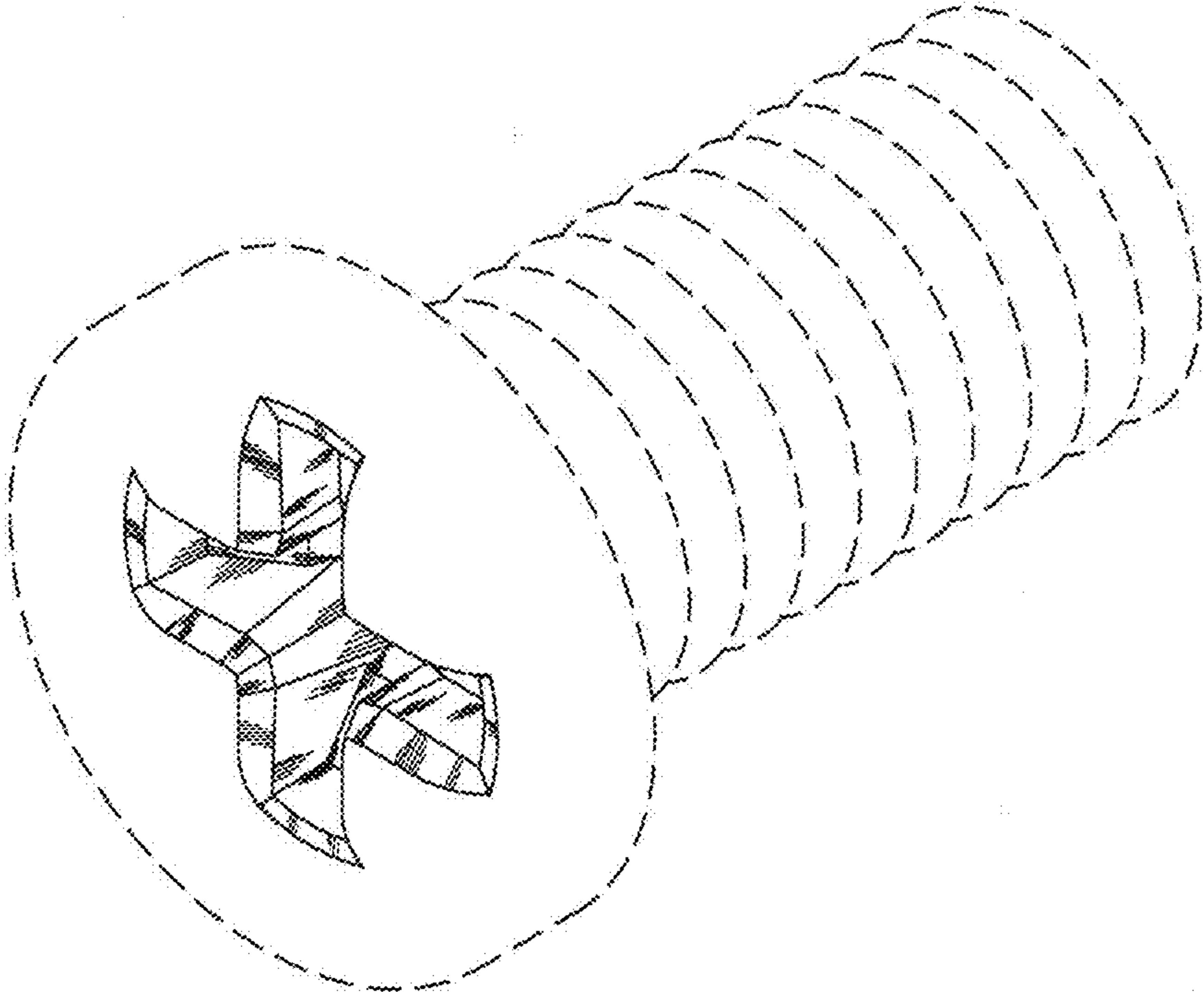


FIG.2

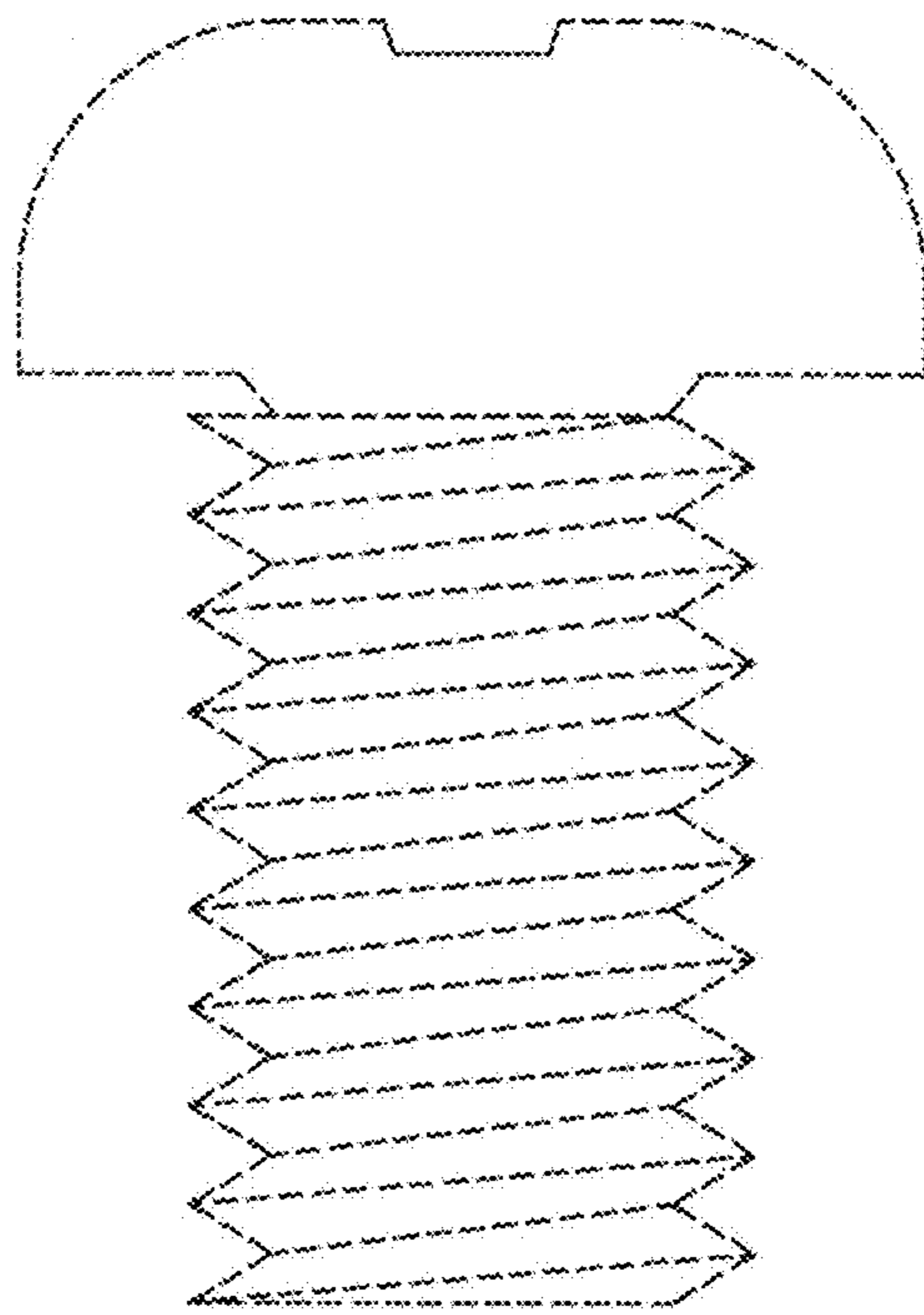


FIG.3

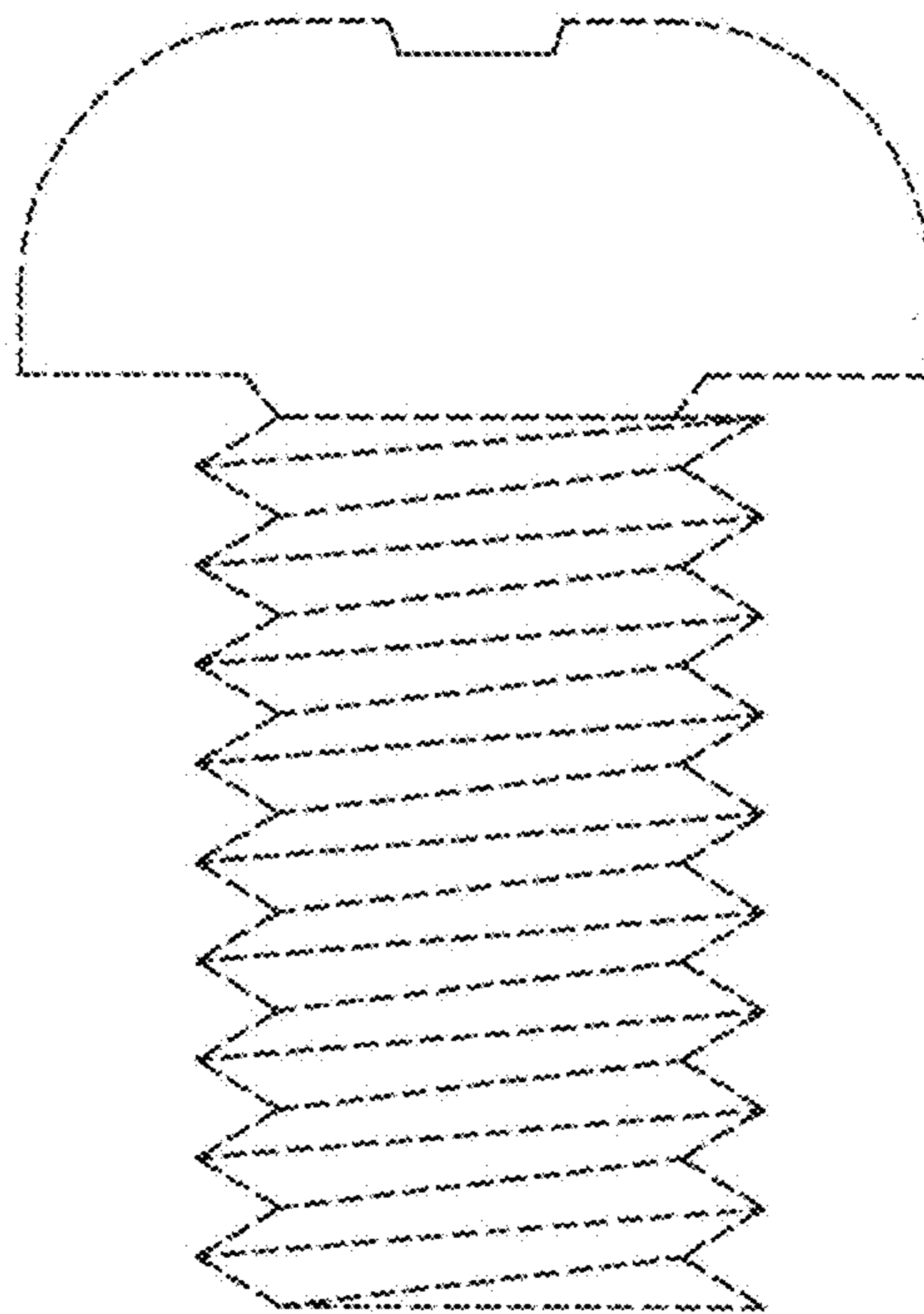


FIG.4

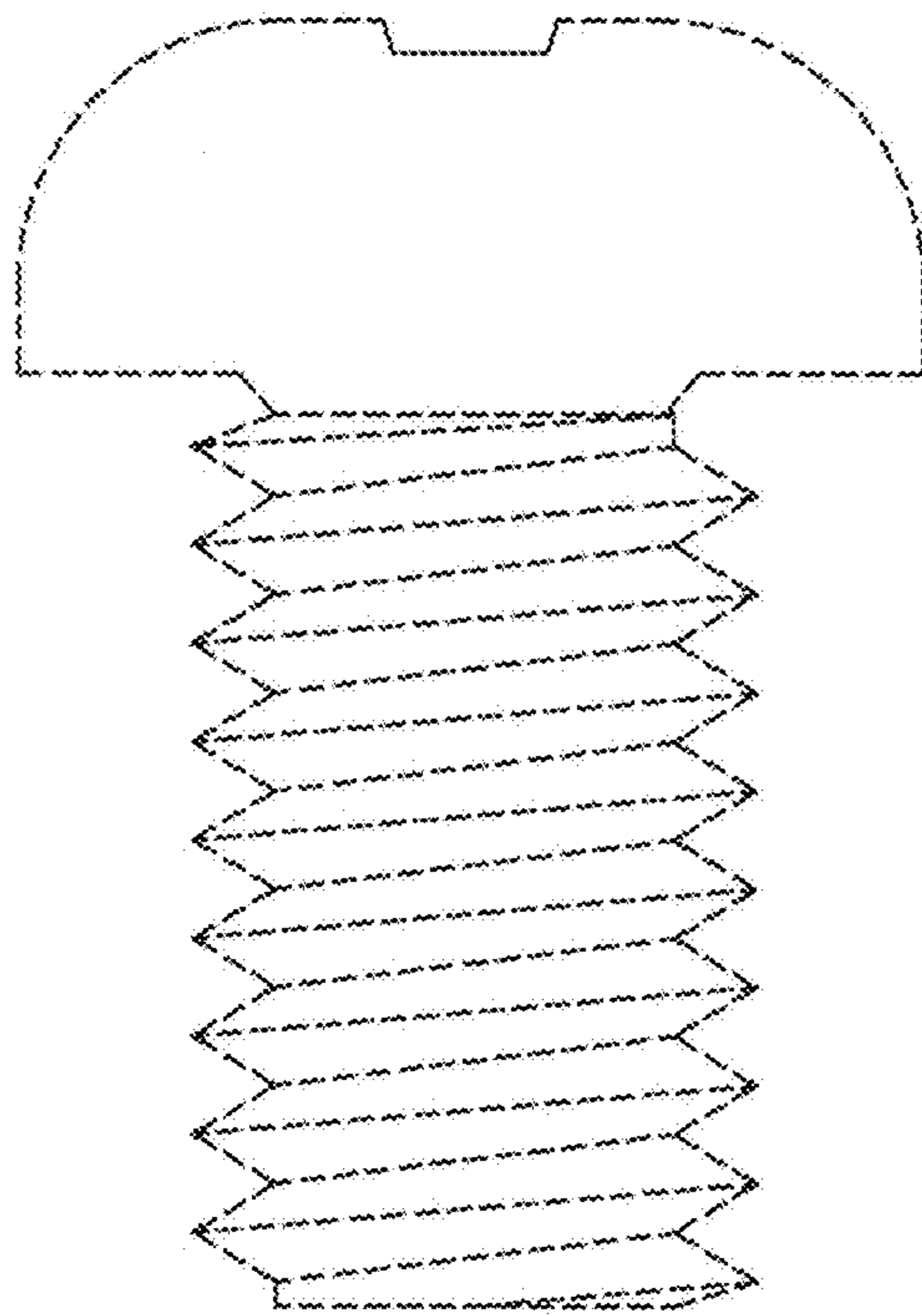


FIG. 5

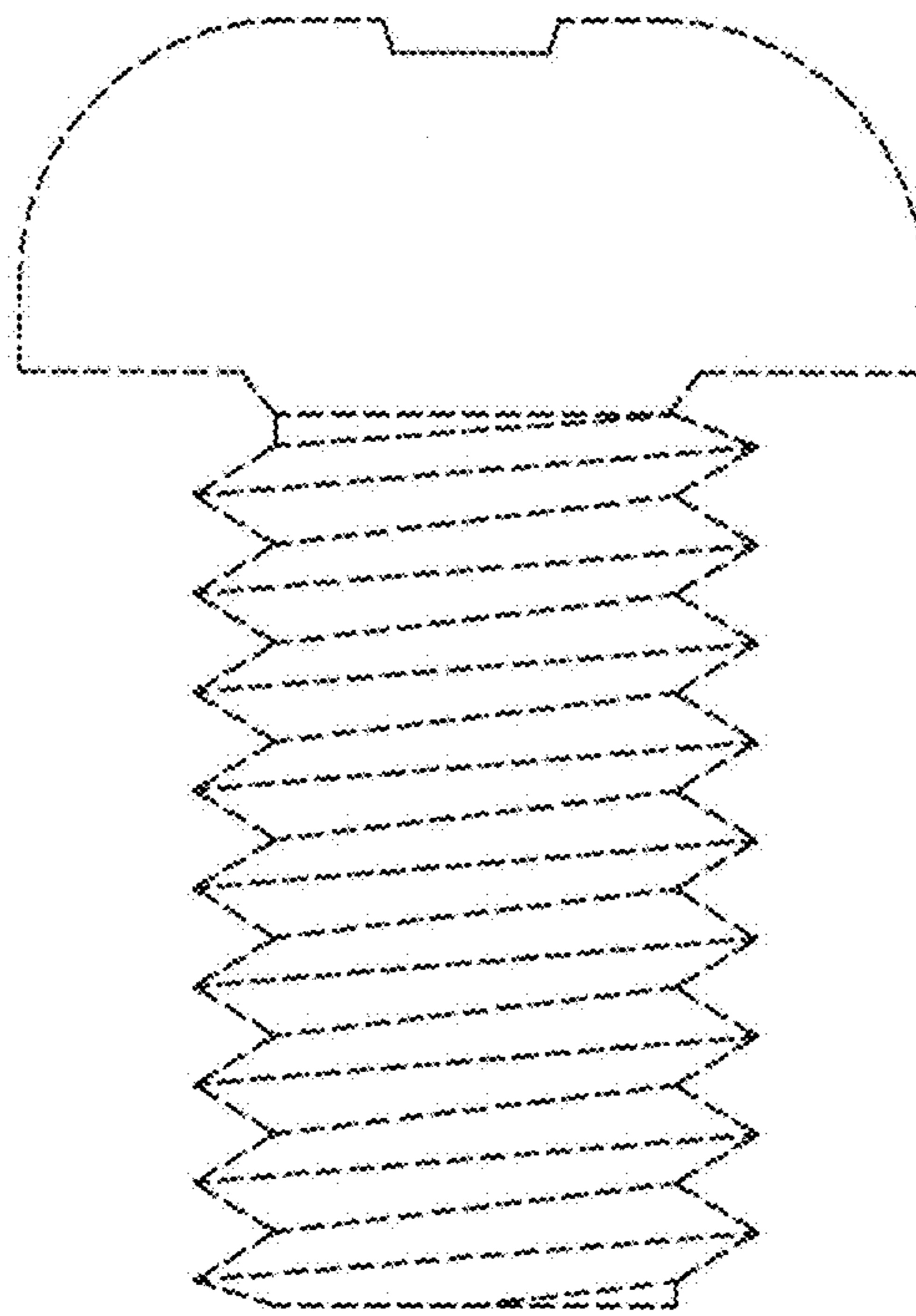


FIG.6

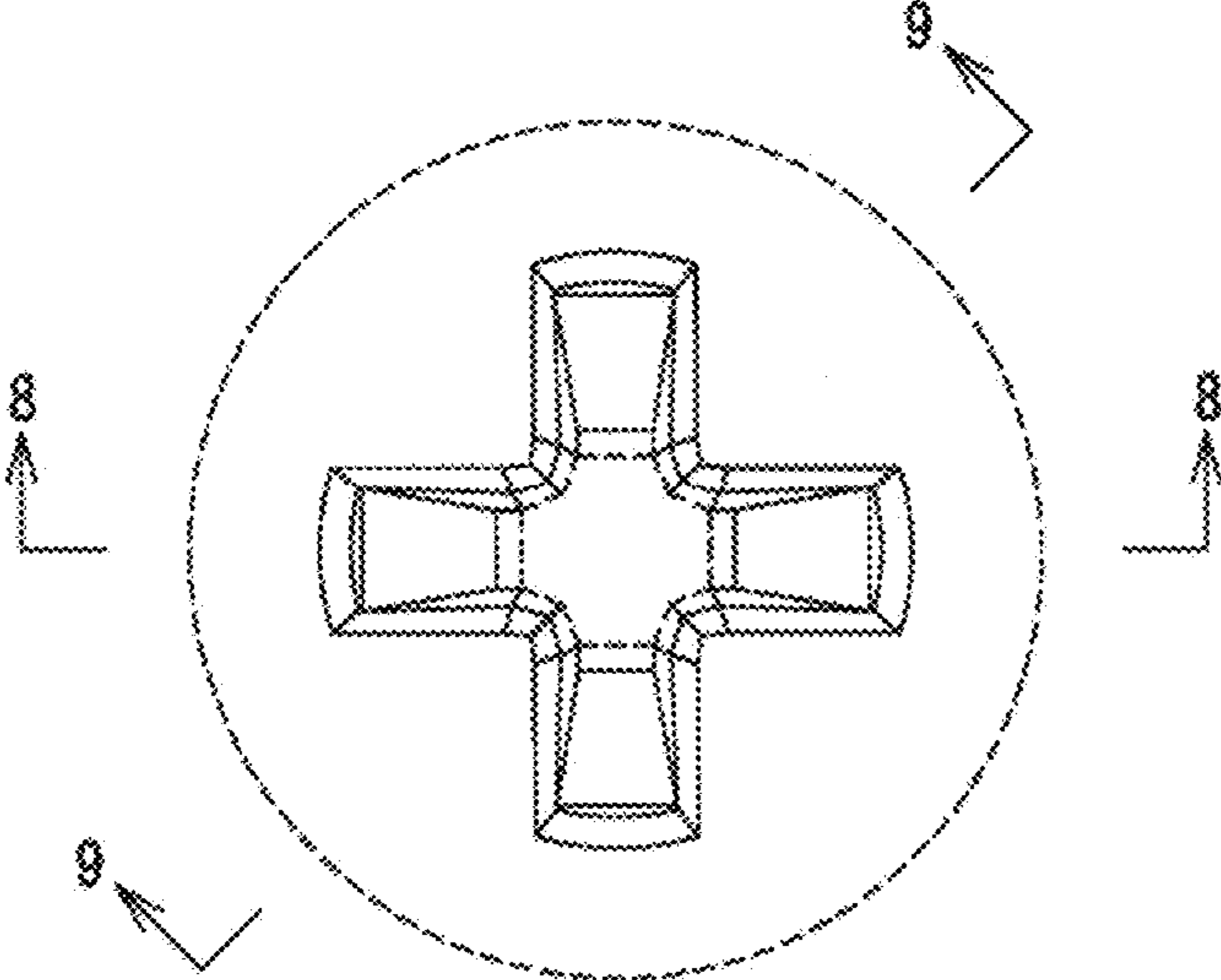


FIG.7

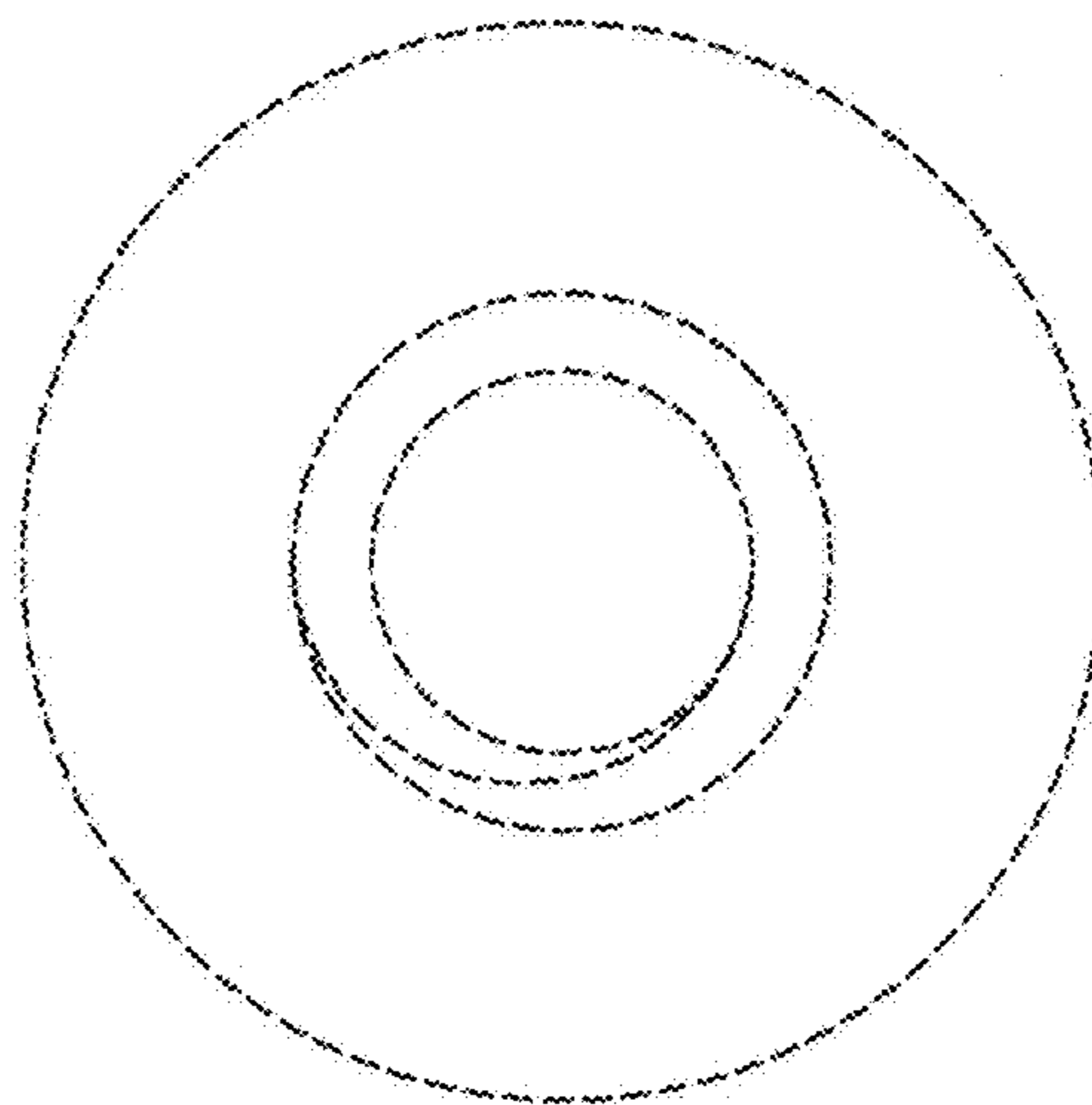


FIG.8

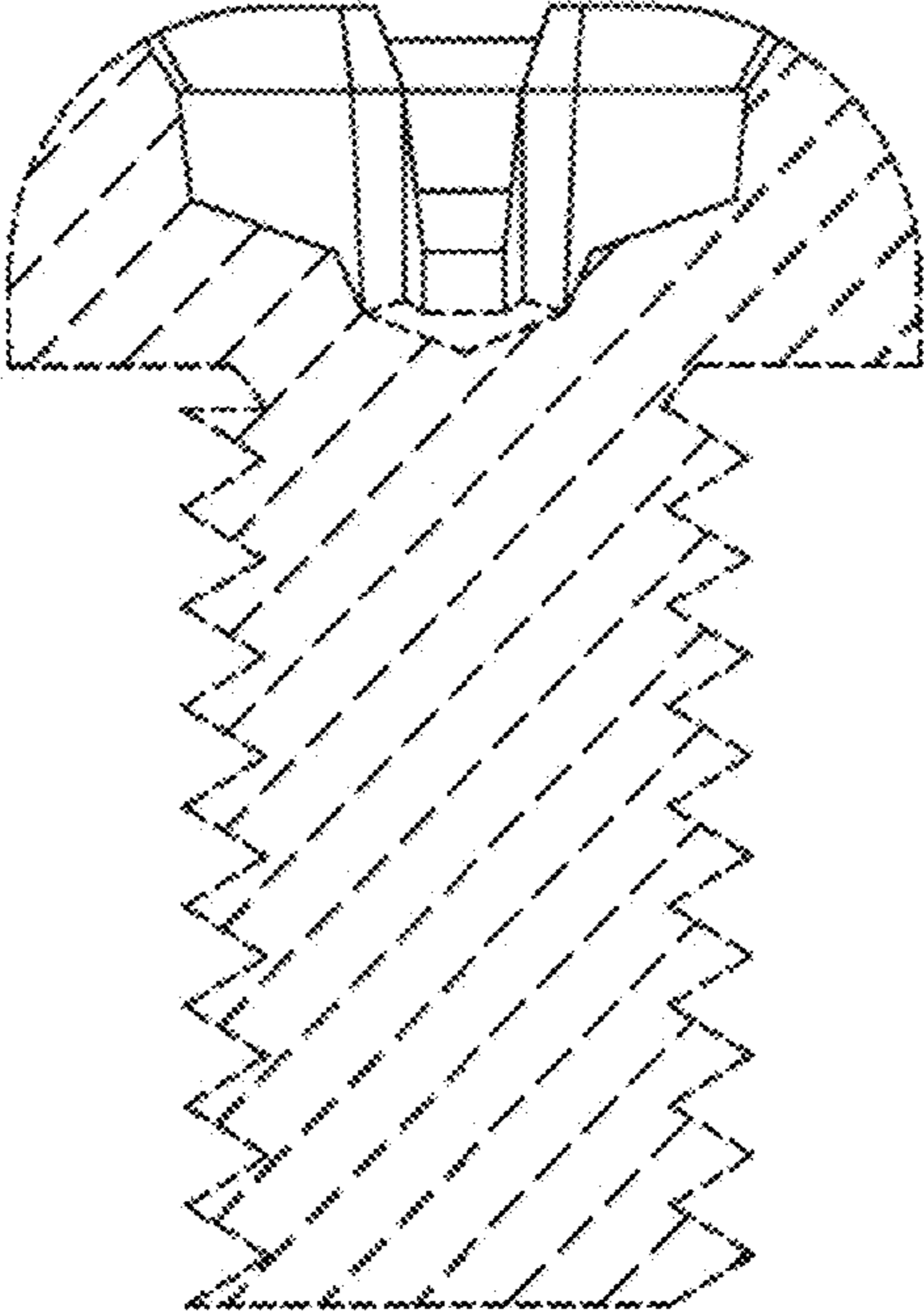


FIG. 9

