



US00D811867S

(12) **United States Design Patent**
Heindl

(10) **Patent No.:** **US D811,867 S**
(45) **Date of Patent:** **** Mar. 6, 2018**

- (54) **SHEET PILE CONNECTOR**
- (71) Applicant: **Richard Heindl**, Gräfelfing (DE)
- (72) Inventor: **Richard Heindl**, Gräfelfing (DE)
- (**) Term: **15 Years**
- (21) Appl. No.: **29/593,005**
- (22) Filed: **Feb. 4, 2017**
- (30) **Foreign Application Priority Data**
Aug. 4, 2016 (EM) 003331354-0002
- (51) **LOC (11) Cl.** **08-08**
- (52) **U.S. Cl.**
USPC **D8/382**
- (58) **Field of Classification Search**
USPC D8/382, 394, 395; D25/119
CPC E02D 5/02; E02D 5/04; E02D 5/06; E02D
5/08; E02D 5/12; Y10T 403/73
See application file for complete search history.

1,330,240	A *	2/1920	Conkling	E02D 5/04 405/278
3,225,407	A	12/1965	Daniels et al.		
6,428,244	B1	8/2002	Wall		
D465,291	S *	11/2002	Marshall	D25/119
D471,793	S	3/2003	Wall		
D530,190	S	10/2006	Wall		
D542,633	S	5/2007	Heindl		
D666,484	S	9/2012	Heindl		
D723,360	S	3/2015	McShane		
D734,137	S	7/2015	McShane		
D737,673	S	9/2015	McShane		
D782,903	S	4/2017	Heindl		
D788,573	S	6/2017	Heindl		
D794,245	S	8/2017	Klus		
2008/0310924	A1	12/2008	Heindl et al.		

- (56) **References Cited**
U.S. PATENT DOCUMENTS
912,021 A * 2/1909 Neilson E02D 5/04
405/278
923,110 A * 5/1909 Boardman E02D 5/04
256/21
976,573 A * 11/1910 Jones E02D 5/04
405/278
1,003,777 A * 9/1911 Neilson E02D 5/04
405/281
1,003,778 A * 9/1911 Neilson E02D 5/04
405/281
1,005,514 A * 10/1911 Conkling E02D 5/04
29/440
1,070,833 A * 8/1913 Neilson E02D 5/04
405/278

OTHER PUBLICATIONS

Notice of Allowance issued in co-pending U.S. Appl. No. 29/587,996 dated Sep. 21, 2017.

* cited by examiner

Primary Examiner — Sandra S Snapp
Assistant Examiner — Ieisha N Price
(74) *Attorney, Agent, or Firm* — Meunier Carlin & Curfman LLC

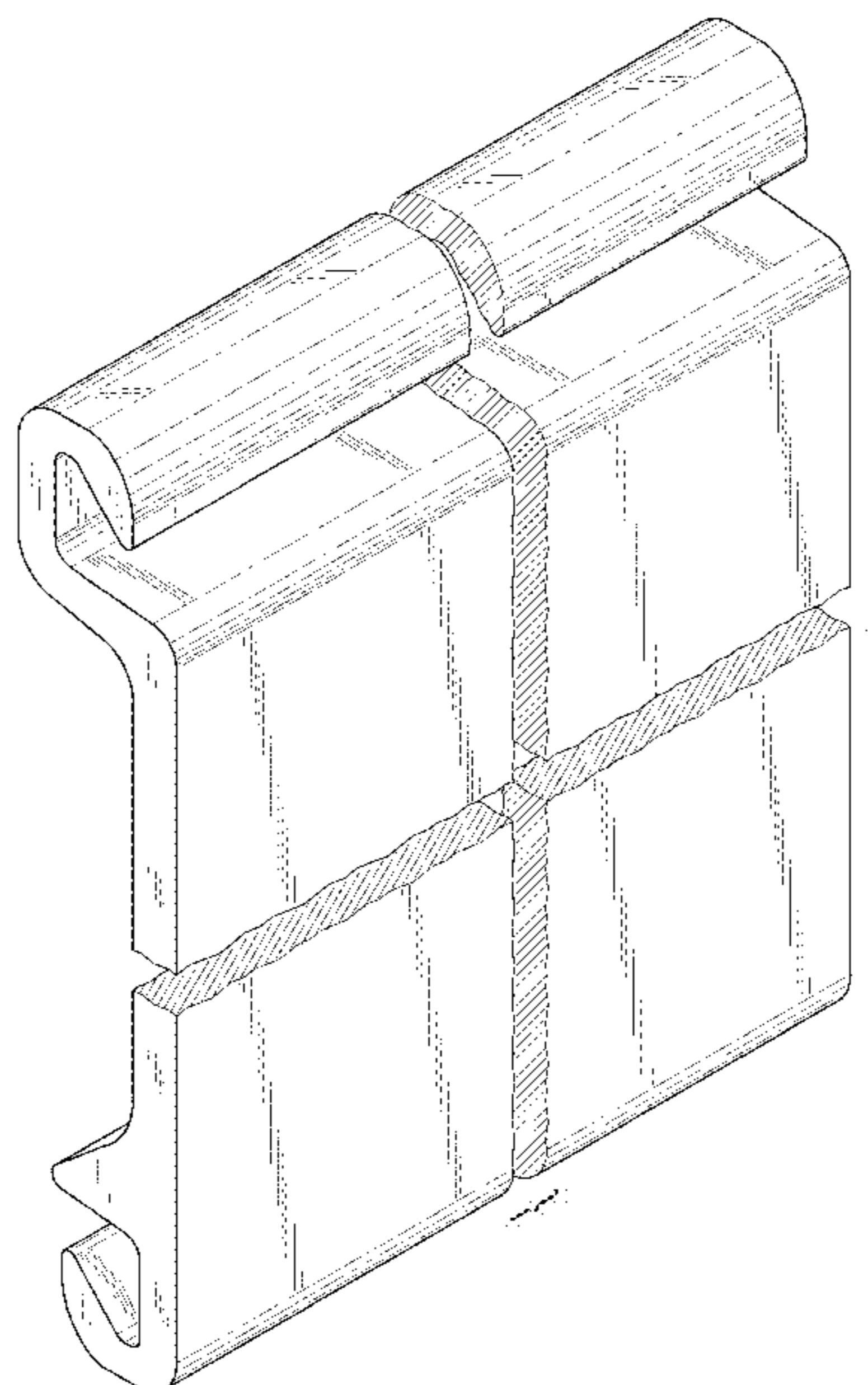
(57) **CLAIM**

The ornamental design for a sheet pile connector, as shown and described.

DESCRIPTION

FIG. 1 illustrates a front perspective view of my design; and, FIG. 2 illustrates a side view of the design shown in FIG. 1. The appearance of any portion of the article between the break lines shown in FIGS. 1 and 2 forms no part of the claimed design.

1 Claim, 2 Drawing Sheets



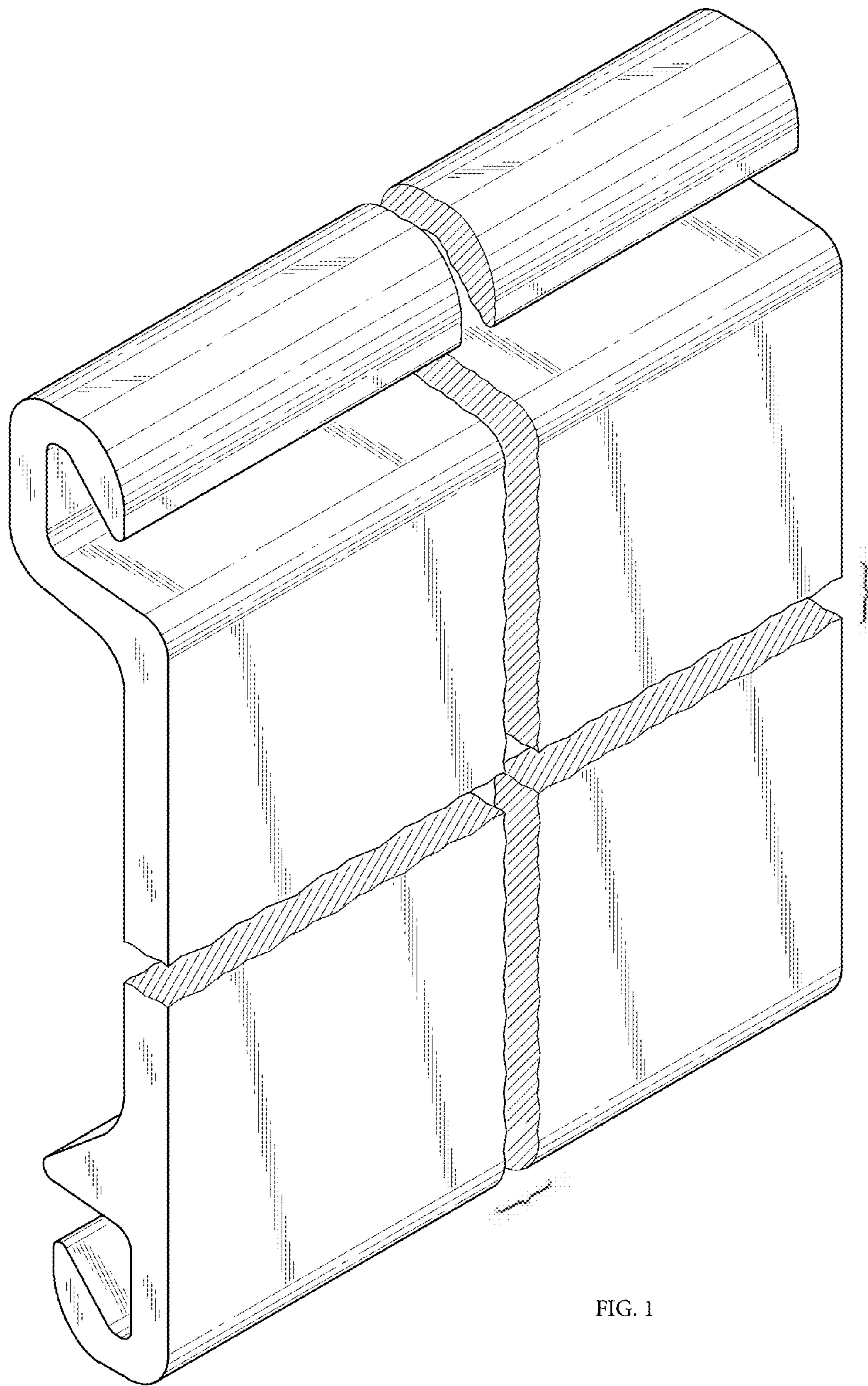


FIG. 1

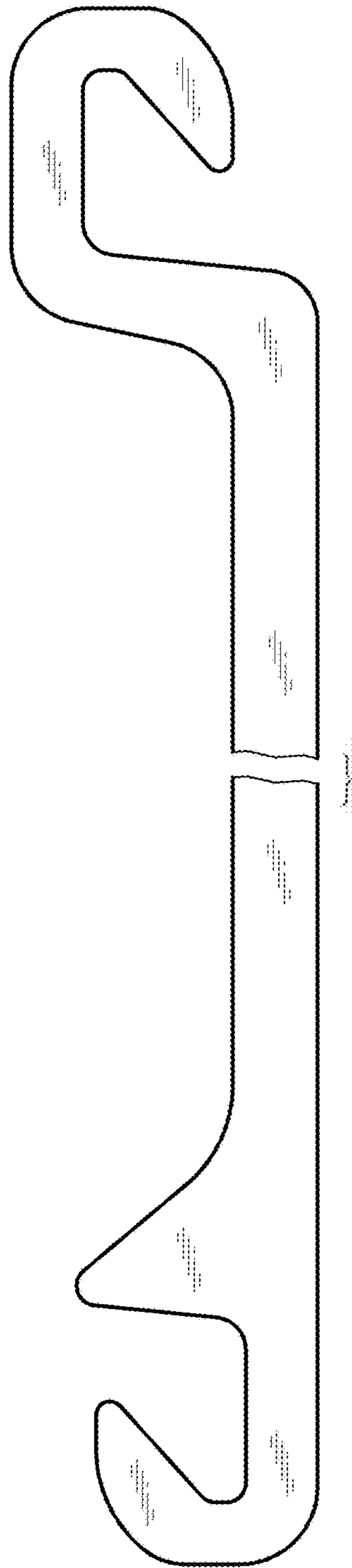


FIG. 2