



US00D811866S

(12) **United States Design Patent**
Heindl

(10) **Patent No.:** **US D811,866 S**
(45) **Date of Patent:** **** Mar. 6, 2018**

(54) **SHEET PILE CONNECTOR**
(71) Applicant: **Richard Heindl**, Gräfelfing (DE)
(72) Inventor: **Richard Heindl**, Gräfelfing (DE)
(**) Term: **15 Years**
(21) Appl. No.: **29/593,004**
(22) Filed: **Feb. 4, 2017**

7,527,456 B2 * 5/2009 Heindl E02D 5/06
403/403
D621,248 S * 8/2010 Heindl D8/382
D623,930 S * 9/2010 Austro D8/382
D623,932 S * 9/2010 Austro D8/382
D624,395 S * 9/2010 Austro D8/382
D649,443 S 11/2011 Heindl
D681,424 S 5/2013 Heindl
D681,427 S 5/2013 Heindl
D681,431 S * 5/2013 Heindl D8/382
D704,769 S * 5/2014 Penington D19/81
D790,330 S * 6/2017 Heindl D8/382
D794,245 S 8/2017 Klus

(30) **Foreign Application Priority Data**

Aug. 4, 2016 (EM) 003331354-0001

(51) **LOC (11) Cl.** **08-08**
(52) **U.S. Cl.**
USPC **D8/382**

(58) **Field of Classification Search**
USPC D8/382, 394, 395; D25/119
CPC E02D 5/02; E02D 5/04; E02D 5/06; E02D
5/08; E02D 5/12; Y10T 403/73
See application file for complete search history.

(56) **References Cited**

U.S. PATENT DOCUMENTS

3,225,407 A 12/1965 Daniels et al.
D421,137 S 2/2000 Marshall
6,428,244 B1 8/2002 Wall
D471,083 S * 3/2003 Wall D25/119
D471,793 S 3/2003 Wall
D471,794 S 3/2003 Wall
D541,642 S * 5/2007 Heindl D8/382
D542,636 S * 5/2007 Heindl D8/382
D542,643 S * 5/2007 Heindl D8/382
D543,100 S * 5/2007 Heindl D8/382
D543,101 S * 5/2007 Heindl D8/382

OTHER PUBLICATIONS

Non-final Office Action issued in co-pending U.S. Appl. No. 29/588,000 dated Sep. 20, 2017.

* cited by examiner

Primary Examiner — Sandra S Snapp
Assistant Examiner — Ieisha N Price
(74) *Attorney, Agent, or Firm* — Meunier Carlin & Curfman LLC

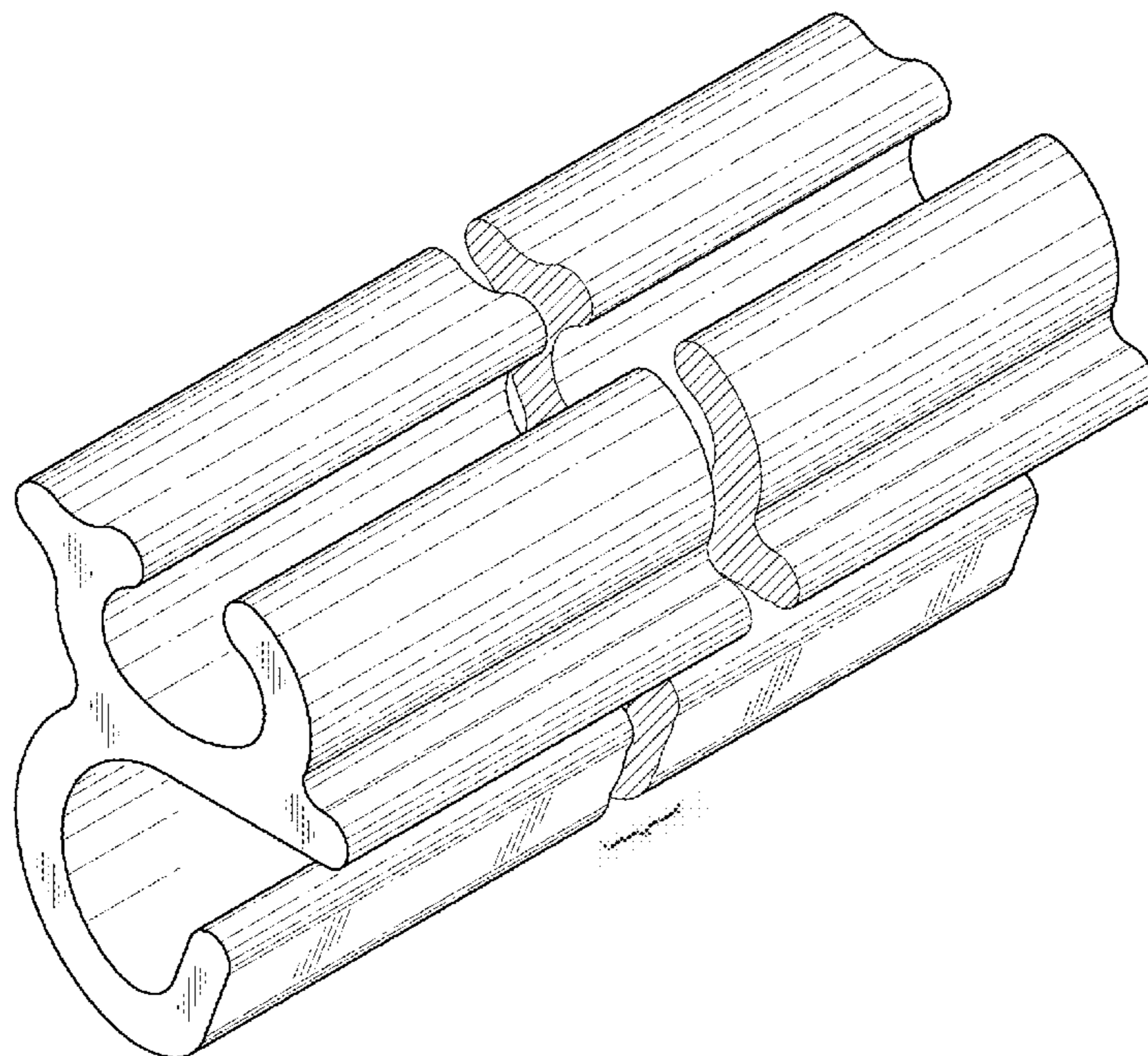
(57) **CLAIM**

The ornamental design for a sheet pile connector, as shown and described.

DESCRIPTION

FIG. 1 illustrates a front perspective view of my design; and, FIG. 2 illustrates a side view of the design shown in FIG. 1. The appearance of any portion of the article between the break lines shown in FIG. 1 forms no part of the claimed design.

1 Claim, 2 Drawing Sheets



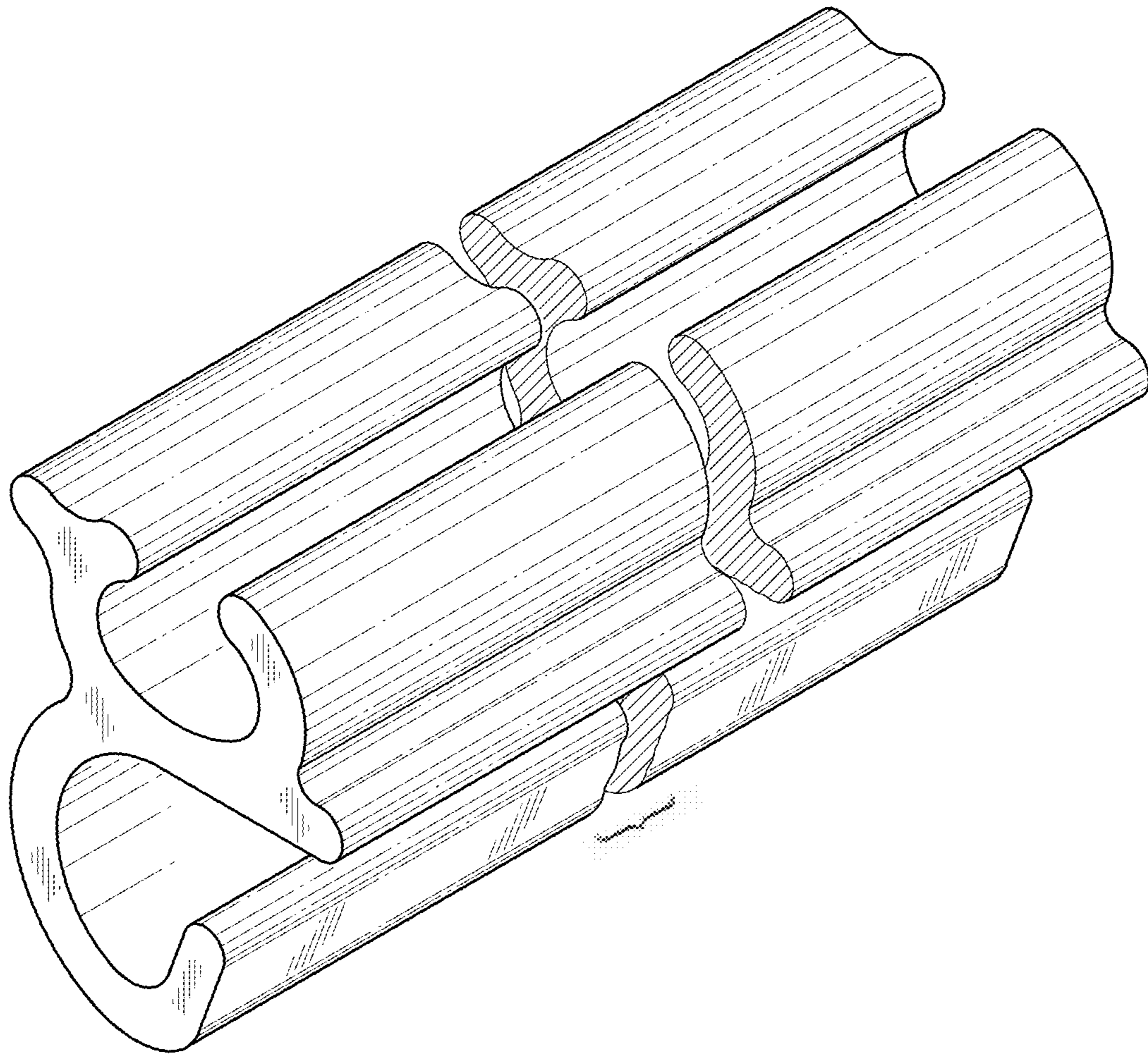


FIG. 1

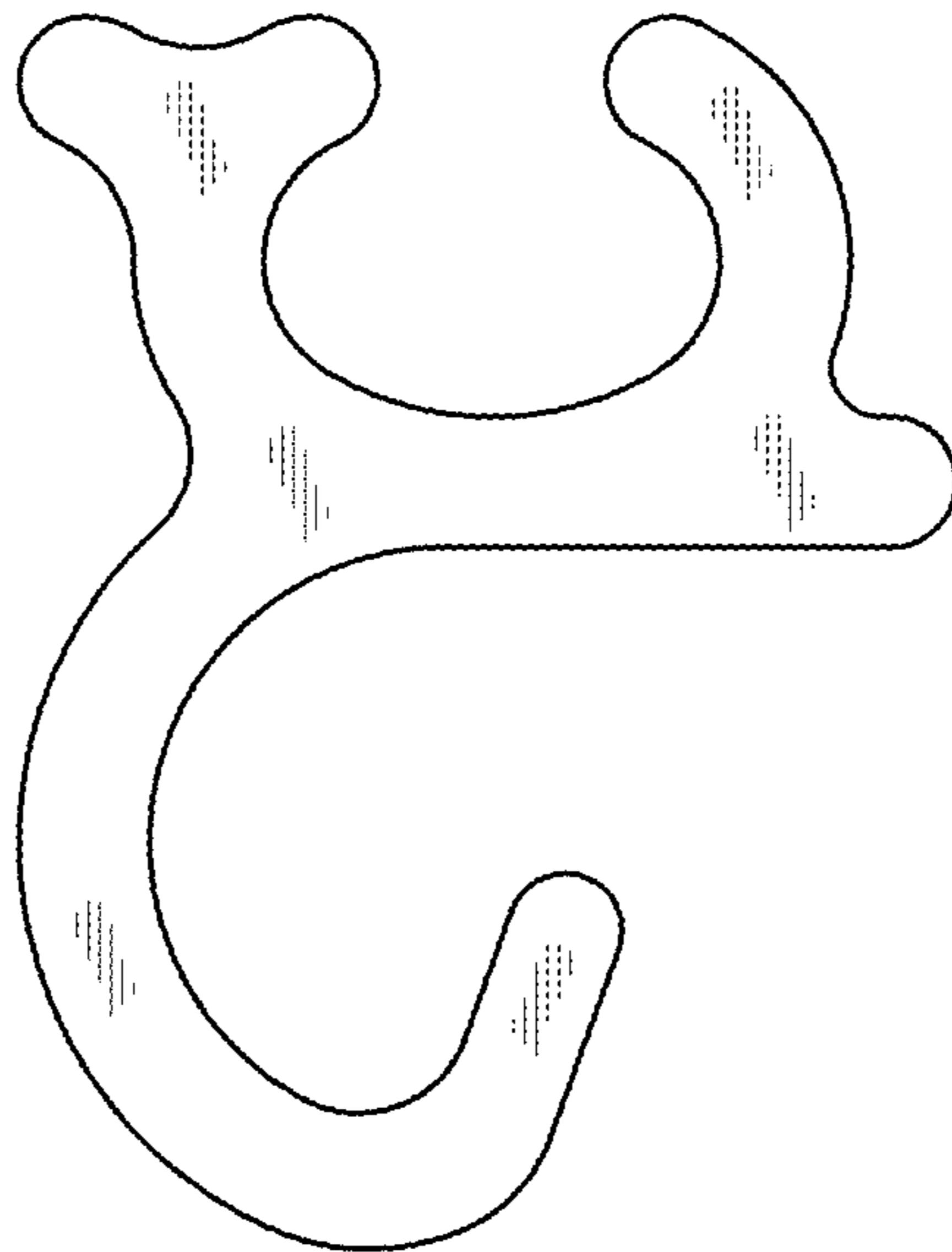


FIG. 2