



US00D811865S

(12) **United States Design Patent**
Heindl

(10) **Patent No.:** **US D811,865 S**

(45) **Date of Patent:** **** Mar. 6, 2018**

- (54) **SHEET PILE CONNECTOR**
- (71) Applicant: **Richard Heindl**, Gräfeling (DE)
- (72) Inventor: **Richard Heindl**, Gräfeling (DE)
- (**) Term: **15 Years**
- (21) Appl. No.: **29/587,996**
- (22) Filed: **Dec. 16, 2016**
- (30) **Foreign Application Priority Data**
 - Jun. 16, 2016 (EM) 003225721-0003
- (51) **LOC (11) Cl.** **08-08**
- (52) **U.S. Cl.**
 - USPC **D8/382**
- (58) **Field of Classification Search**
 - USPC D8/382, 394, 395; D25/119
 - CPC E02D 5/02; E02D 5/04; E02D 5/06; E02D 5/08; E02D 5/12; Y10T 403/73

See application file for complete search history.

(56) **References Cited**
U.S. PATENT DOCUMENTS

912,021 A	2/1909	Neilson
923,110 A	5/1909	Boardman
976,573 A	11/1910	Jones
1,003,777 A	9/1911	Neilson
1,003,778 A	9/1911	Neilson
1,005,514 A	10/1911	Conkling
1,070,833 A	8/1913	Neilson
1,330,240 A	2/1920	Conkling

3,225,407 A *	12/1965	Barrymore	D06C 3/04
				160/392
6,428,244 B1 *	8/2002	Wall	E02D 5/12
				403/348
D465,291 S	11/2002	Marshall		
D471,793 S *	3/2003	Wall	D25/119
D530,190 S *	10/2006	Wall	D8/382
D542,633 S *	5/2007	Heindl	D8/382
D666,484 S *	9/2012	Heindl	D8/382
D723,360 S *	3/2015	McShane	D8/382
D734,137 S *	7/2015	McShane	D8/382
D737,673 S *	9/2015	McShane	D8/382
D782,903 S *	4/2017	Heindl	D8/382
D788,573 S *	6/2017	Heindl	D8/382
D794,245 S *	8/2017	Klus	D26/142
2008/0310924 A1 *	12/2008	Heindl	E02D 5/08
				405/279

* cited by examiner

Primary Examiner — Sandra Snapp
Assistant Examiner — Ieisha Price
(74) *Attorney, Agent, or Firm* — Meunier Carlin & Curfman LLC

(57) **CLAIM**

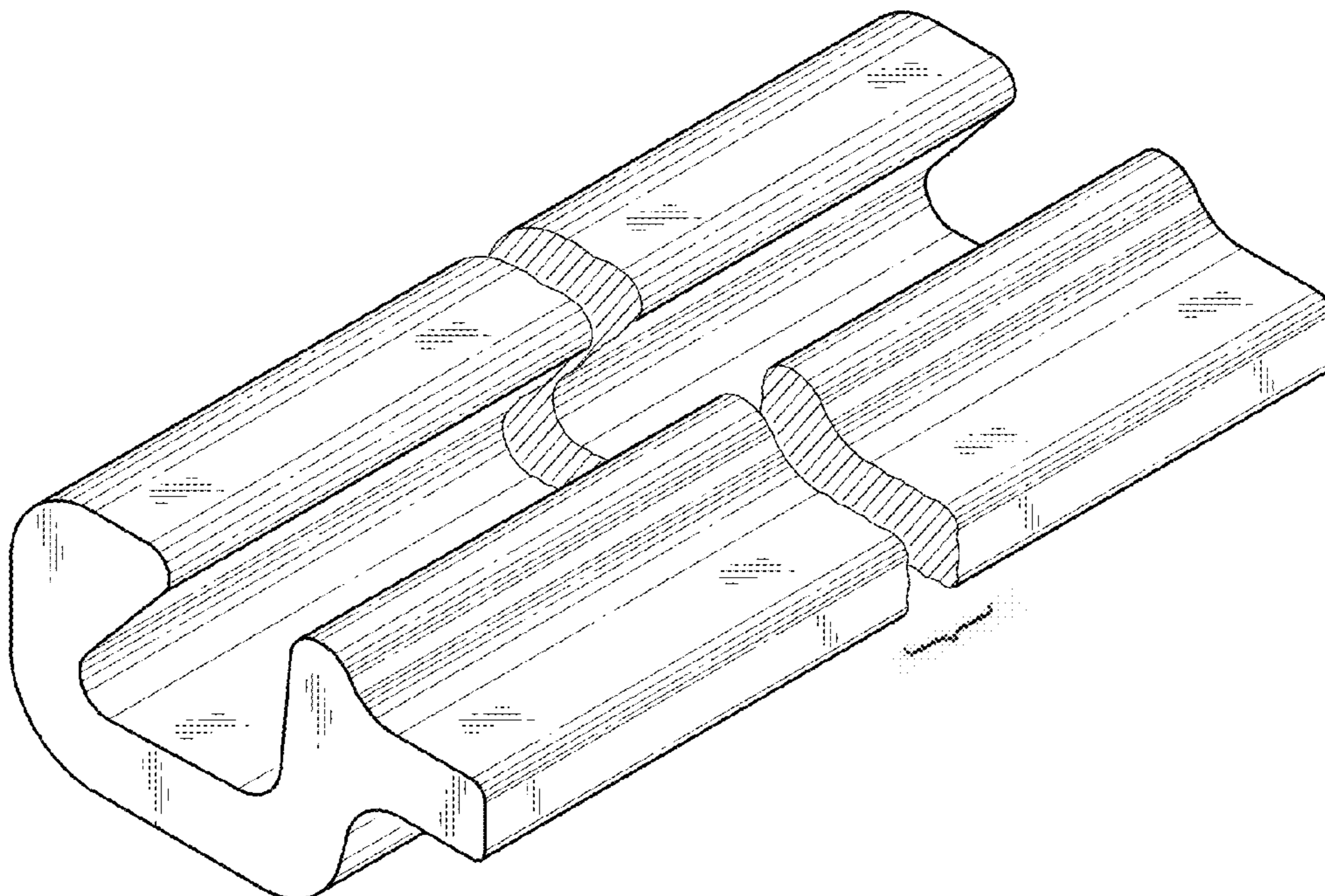
The ornamental design for a sheet pile connector, as shown and described.

DESCRIPTION

FIG. 1 illustrates a perspective view of my design; and, FIG. 2 illustrates an end view of the design shown in FIG. 1.

All portions of the sheet pile connector located between the break lines form no part of the claimed design.

1 Claim, 2 Drawing Sheets



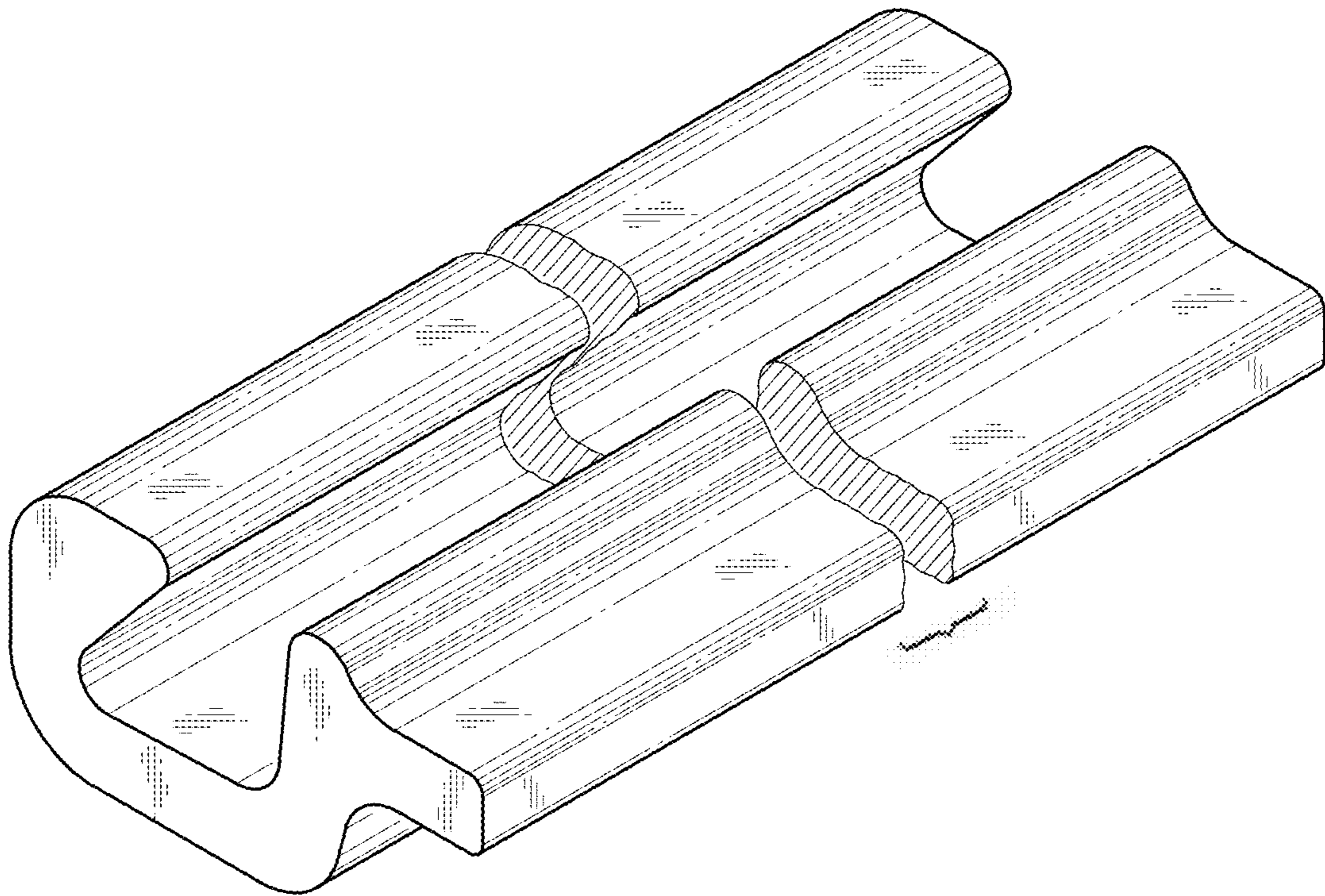


FIG. 1

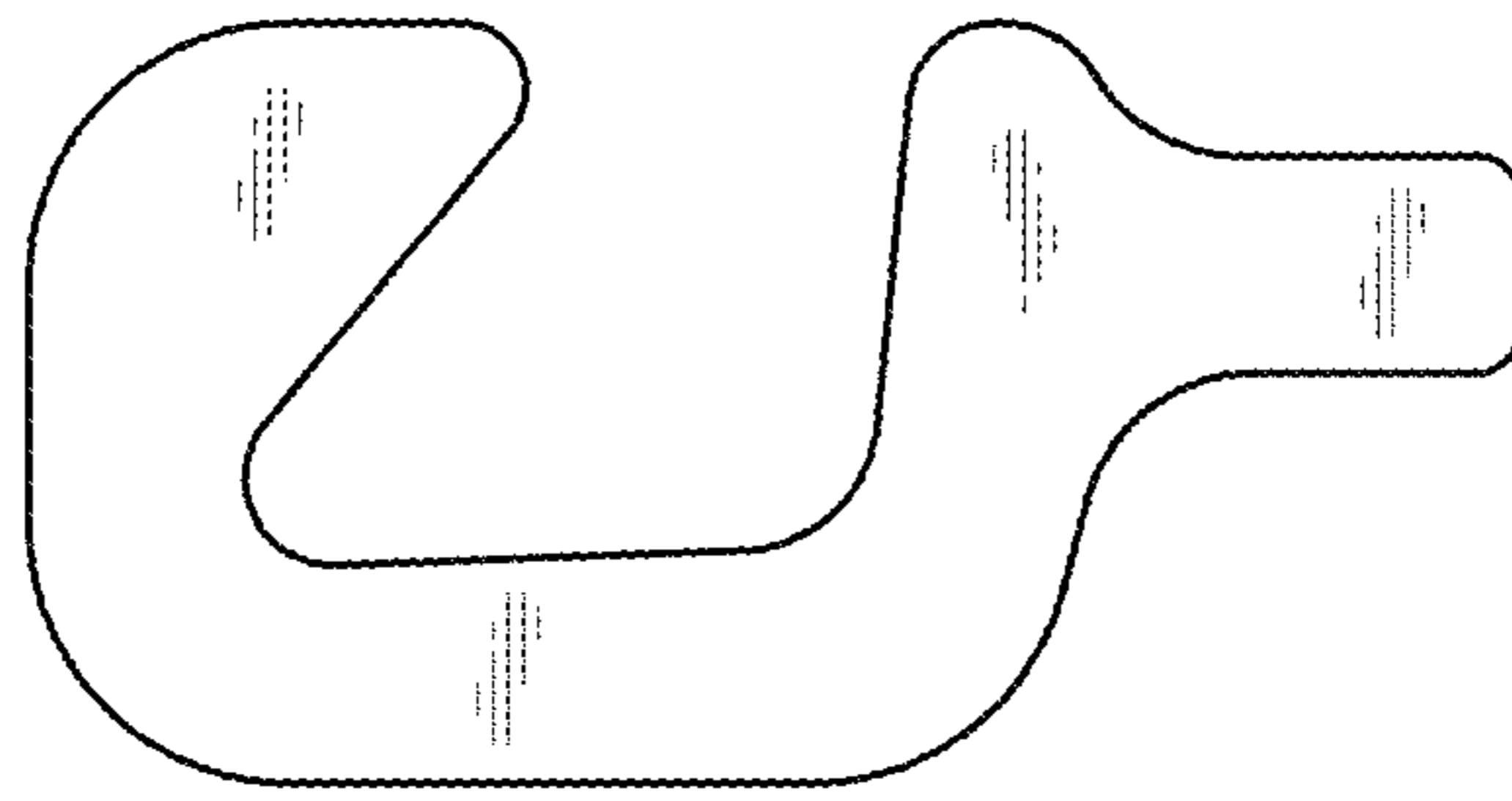


FIG. 2