



US00D811863S

(12) **United States Design Patent** (10) **Patent No.:** **US D811,863 S**
Beyerle et al. (45) **Date of Patent:** **** Mar. 6, 2018**

(54) **DEVICE FOR CONNECTING A DECK
 LEDGER BOARD TO A BUILDING
 THROUGH A MASONRY VENEERED WALL**

D598,734 S 8/2009 Miranda et al.
 D737,670 S * 9/2015 Beyerle D8/373
 D780,557 S * 3/2017 Foley D8/354

* cited by examiner

(71) Applicants: **David T. Beyerle**, Dayton, OH (US);
Terry J. Tincher, Oregonia, OH (US)

Primary Examiner — Robert M. Spear

Assistant Examiner — Eliza Z Bennett-Hattan

(72) Inventors: **David T. Beyerle**, Dayton, OH (US);
Terry J. Tincher, Oregonia, OH (US)

(74) *Attorney, Agent, or Firm* — Jacox, Meckstroth & Jenkins

(**) Term: **15 Years**

(57) **CLAIM**

The ornamental design of a device for connecting a deck ledger board to a building through a masonry veneered wall, as shown and described.

(21) Appl. No.: **29/536,868**

DESCRIPTION

(22) Filed: **Aug. 20, 2015**

(51) **LOC (11) Cl.** **08-05**

(52) **U.S. Cl.**
USPC **D8/373**

(58) **Field of Classification Search**
 USPC D8/300, 301, 321, 377; D25/119, 125
 CPC E04B 1/38; E04B 2001/2415; E04B 1/24;
 E04B 2001/2418; E04B 2001/2472; E04B
 2001/2463; E04B 1/2612; E04B 2002/565
 See application file for complete search history.

FIG. 1 is a perspective view of a device for connecting a deck ledger board to a building through a masonry veneered wall showing our new design;
 FIG. 2 is a top view thereof, the bottom view being a mirror image;
 FIG. 3 is an end view thereof, the opposite end view being a mirror image;
 FIG. 4 is a side view thereof;
 FIG. 5 is an opposite side view thereof;
 FIG. 6 is a perspective view of a second embodiment of our design;
 FIG. 7 is a top view of the second embodiment, the bottom view being a mirror image;
 FIG. 8 is an end view of the second embodiment, the opposite end view being a mirror image;
 FIG. 9 is a side view of the second embodiment, and,
 FIG. 10 is an opposite side view of the second embodiment.

(56) **References Cited**

U.S. PATENT DOCUMENTS

3,334,455 A * 8/1967 Russell E04B 1/0007
 411/116
 D337,513 S 7/1993 Soloway et al.
 D353,277 S 12/1994 Irvin
 D358,982 S 6/1995 Bosgoed
 D378,986 S * 4/1997 Darula D8/354
 D576,472 S * 9/2008 Gaiardo D8/354

1 Claim, 2 Drawing Sheets

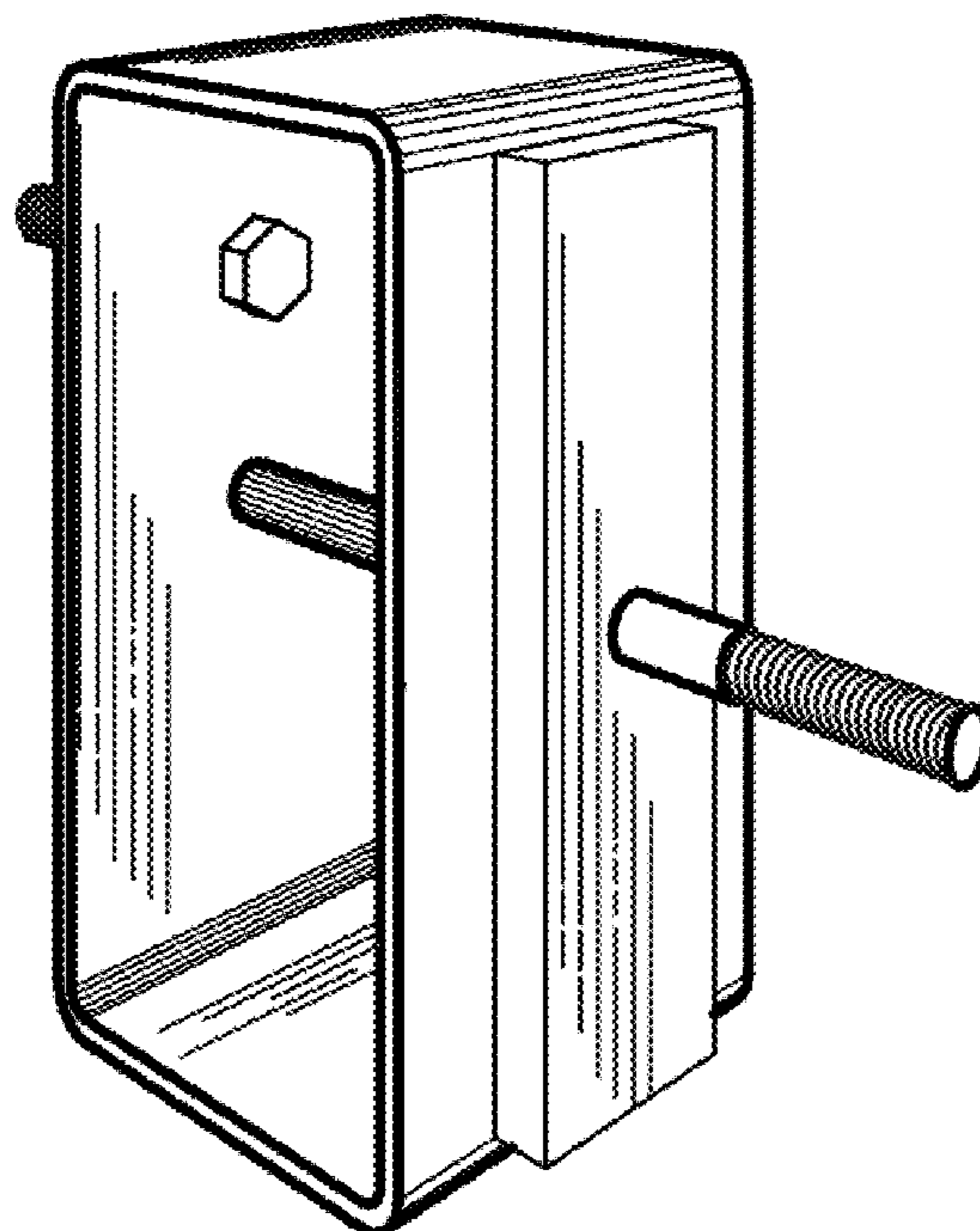


FIG. 1

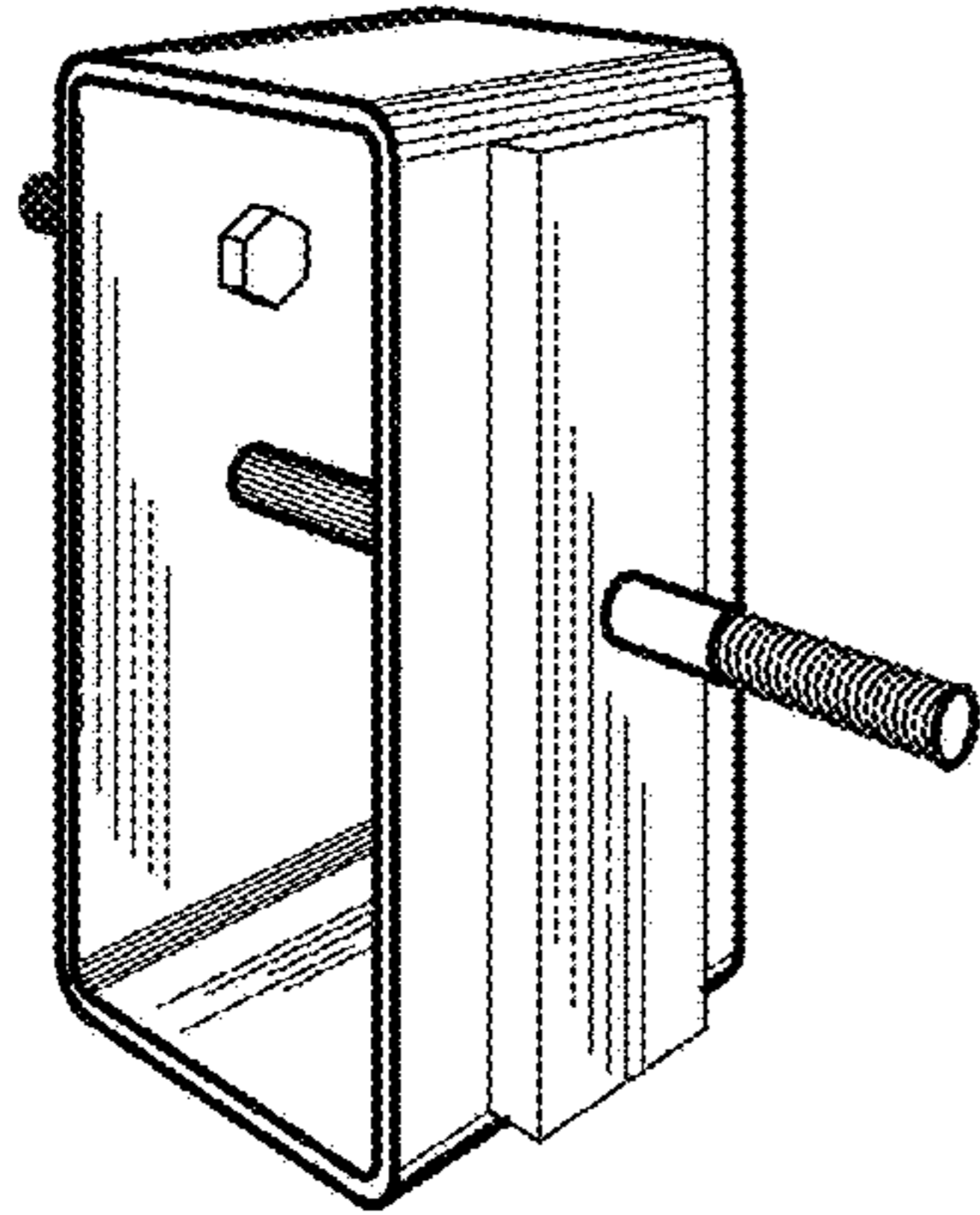


FIG. 2

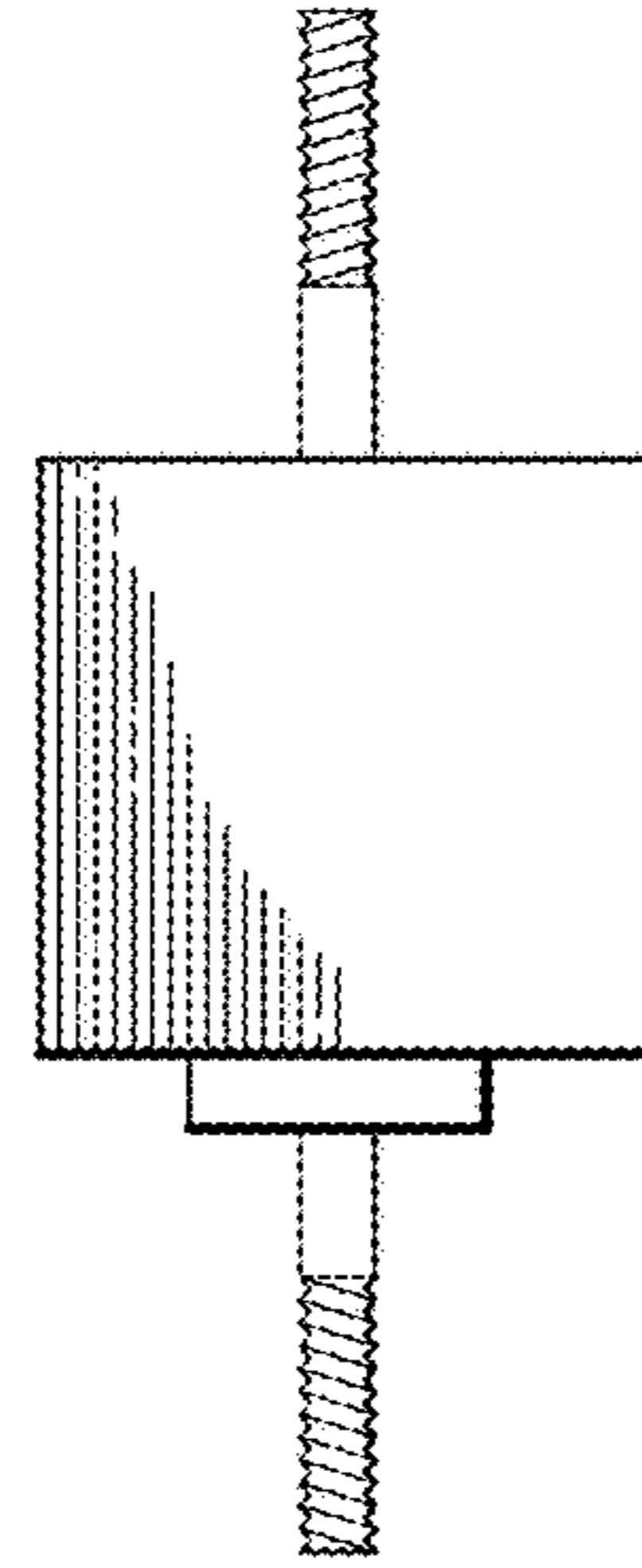


FIG. 3

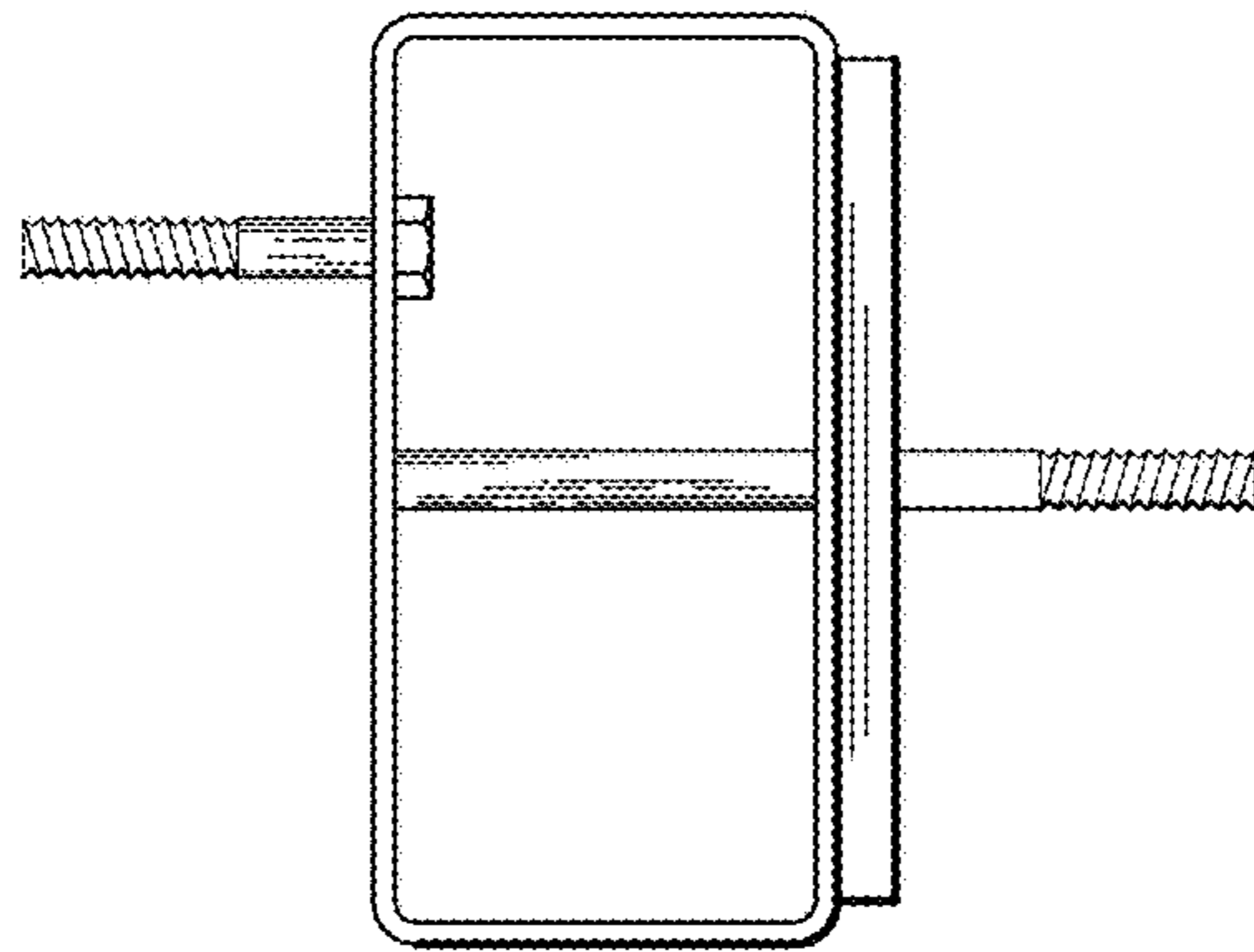


FIG. 4

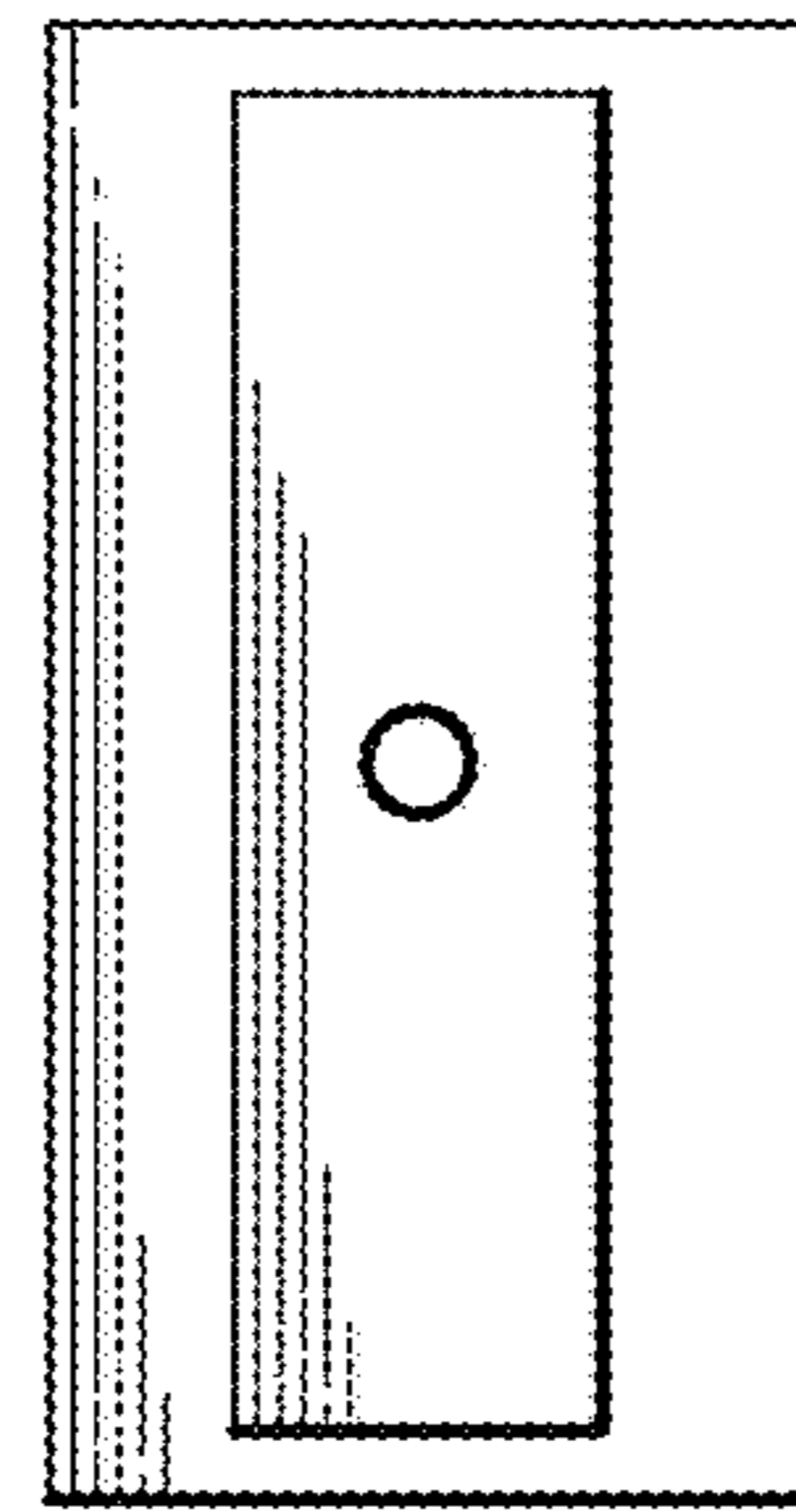


FIG. 5

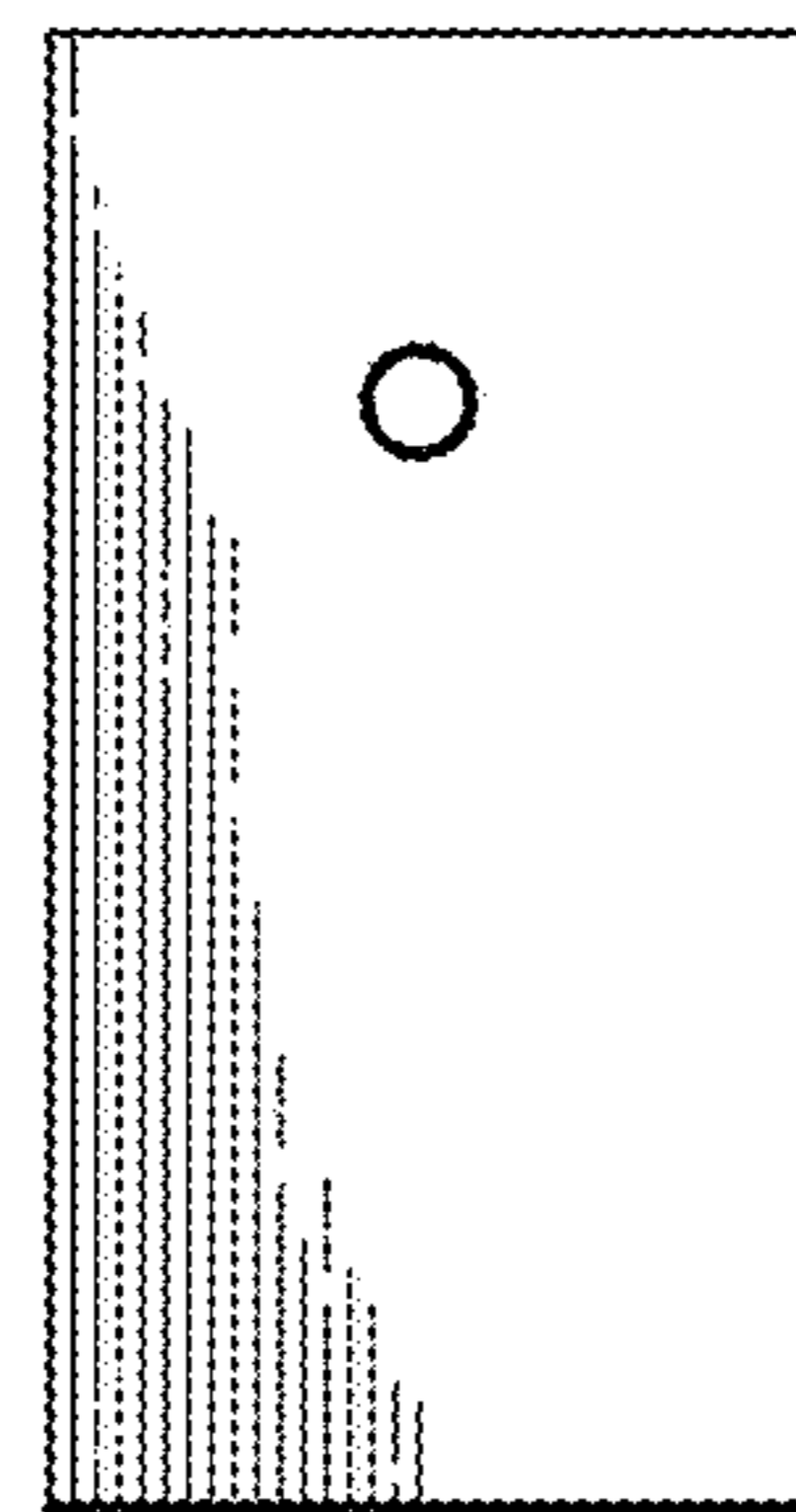


FIG. 6

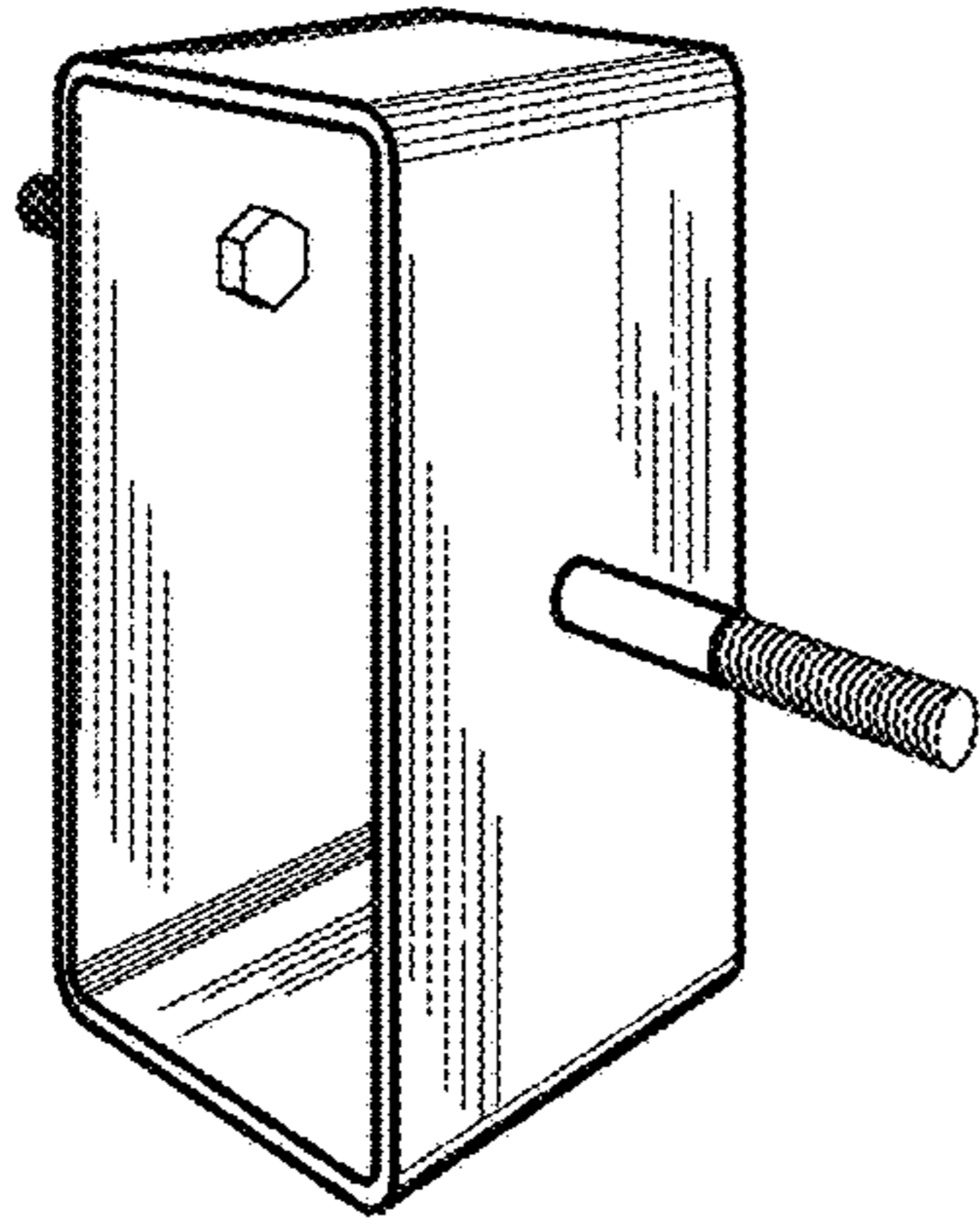


FIG. 7

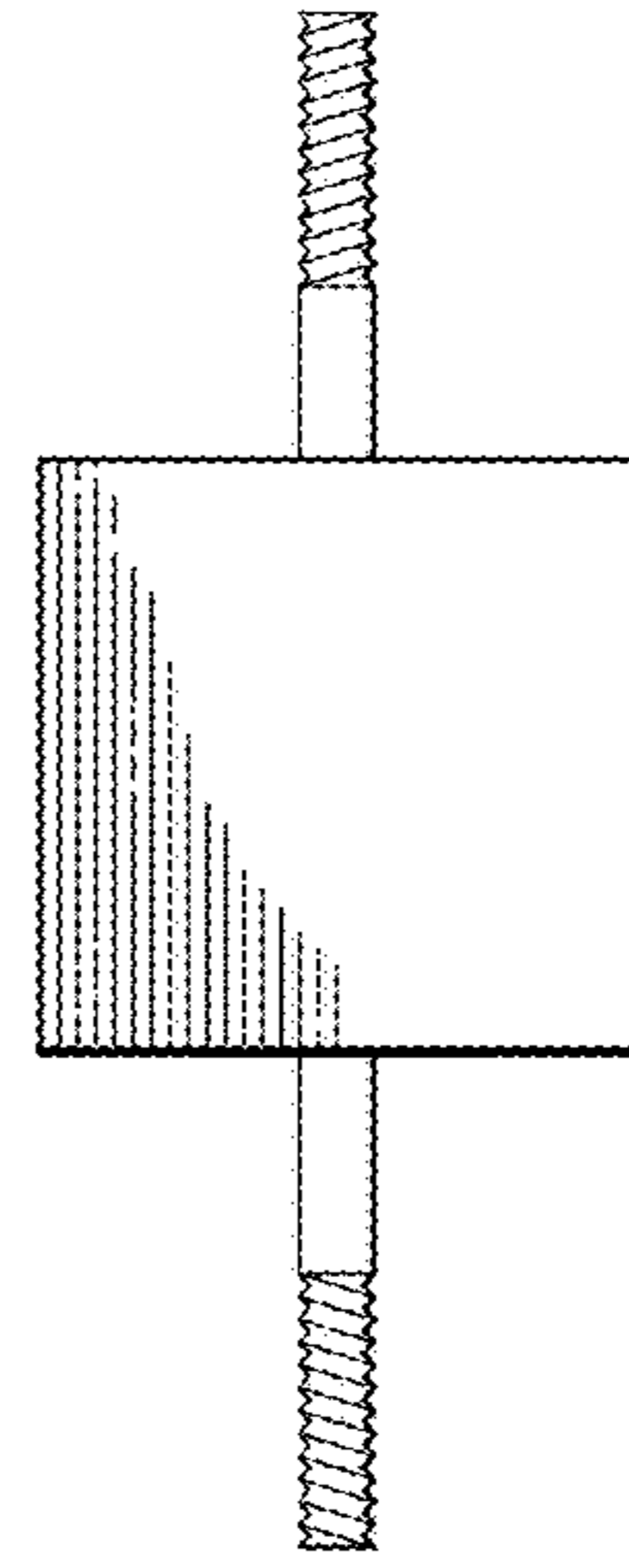


FIG. 8

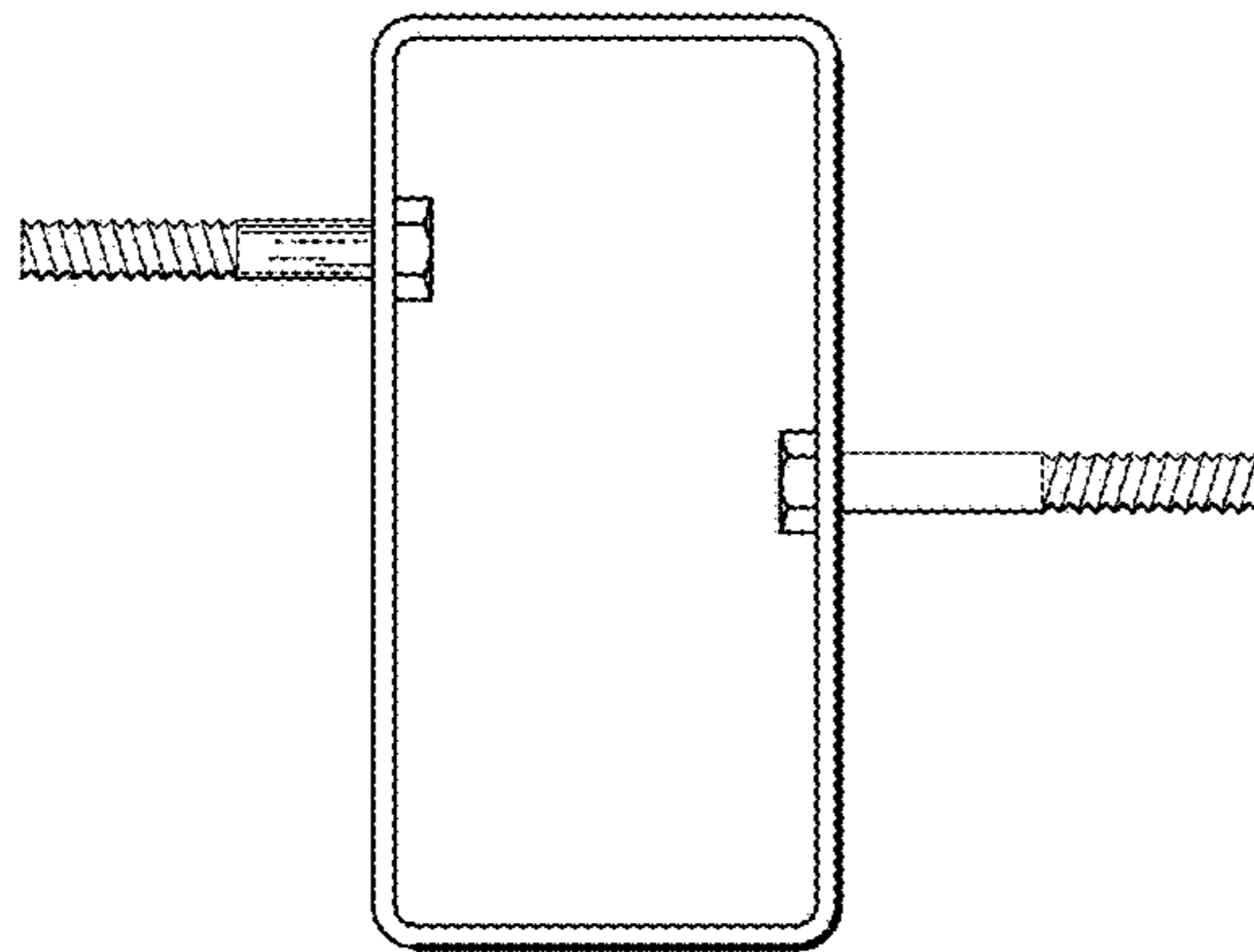


FIG. 9

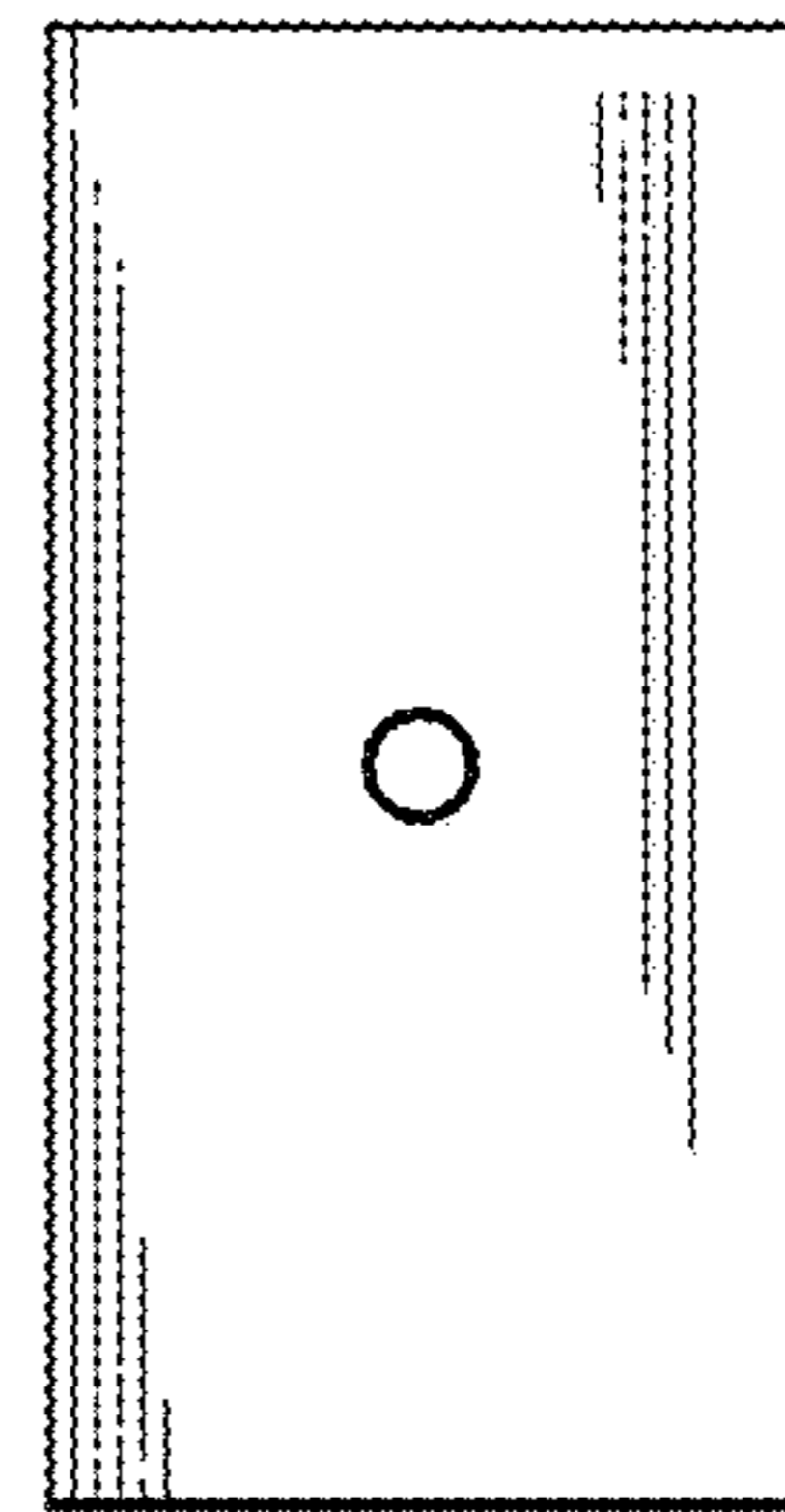


FIG. 10

