



US00D811861S

(12) **United States Design Patent** (10) **Patent No.:** **US D811,861 S**  
**Ravassa et al.** (45) **Date of Patent:** **\*\* Mar. 6, 2018**

(54) **HAND-HELD SHOWER BRACKET**

(71) Applicant: **AS IP Holdco, LLC**, Piscataway, NJ (US)

(72) Inventors: **Gabriela Ravassa**, Brooklyn, NY (US);  
**Jean-Jacques L’Henaff**, New Canaan, CT (US)

(73) Assignee: **AS IP Holdco, LLC**, Piscataway, NJ (US)

(\*\*) Term: **15 Years**

(21) Appl. No.: **29/590,288**

(22) Filed: **Jan. 9, 2017**

(51) **LOC (11) Cl.** ..... **08-05**

(52) **U.S. Cl.**  
USPC ..... **D8/367**

(58) **Field of Classification Search**  
USPC ..... D8/356, 367; 248/75; D23/242, 249,  
D23/386, 499, 304  
CPC ..... A61B 7/02  
See application file for complete search history.

(56) **References Cited**

**U.S. PATENT DOCUMENTS**

D245,556 S *	8/1977	Meyer	.....	D30/154
D263,903 S *	4/1982	Johnston	.....	D23/217
4,624,429 A *	11/1986	Miyazaki	.....	F16L 3/1222
				248/27.1
D358,979 S *	6/1995	Reid	.....	D8/354
D408,269 S *	4/1999	Ross	.....	D8/356
6,708,934 B2 *	3/2004	Brueske	.....	B65H 75/366
				248/75
D554,979 S *	11/2007	Hsu	.....	D8/356
D605,731 S *	12/2009	Leber	.....	D23/249
D625,996 S *	10/2010	Witty	.....	D8/396
D652,517 S *	1/2012	Weaver	.....	D24/134
D653,525 S *	2/2012	Pottes	.....	D8/367

D670,025 S *	10/2012	Touzjian	.....	D27/194
8,632,037 B1 *	1/2014	Rael	.....	F16L 3/003
				248/534
D700,504 S *	3/2014	Blocker	.....	D8/367
D721,570 S *	1/2015	Caughron	.....	D8/367
D733,539 S *	7/2015	Wu	.....	D23/304
D735,563 S *	8/2015	Kelley	.....	D8/367
D742,724 S *	11/2015	Smetz	.....	D8/367
D752,418 S *	3/2016	Stacey	.....	D8/367
D756,756 S *	5/2016	Kuehn	.....	D8/367
D763,665 S *	8/2016	Hallare	.....	D8/356
D764,023 S *	8/2016	Woodard	.....	D23/223
D774,324 S *	12/2016	Gilbert	.....	D6/563
D799,307 S *	10/2017	Labrecque	.....	D8/367
2005/0205347 A1 *	9/2005	Costa	.....	A61B 7/02
				181/131
2015/0342331 A1 *	12/2015	Tom	.....	A45F 5/021
				224/666

\* cited by examiner

*Primary Examiner* — Cynthia Underwood  
(74) *Attorney, Agent, or Firm* — Morrison & Foerster LLP

(57) **CLAIM**

The ornamental design for a hand-held shower bracket, as shown and described.

**DESCRIPTION**

FIG. 1 is a front and right side perspective view of a hand-held shower bracket showing the new design; FIG. 2 is a front elevational view thereof; FIG. 3 is a rear elevational view thereof; FIG. 4 is a top plan view thereof; FIG. 5 is a bottom plan view thereof; FIG. 6 is a left side elevational view thereof; and, FIG. 7 is a right side elevational view thereof. The features shown in broken lines form no part of the claimed design.

**1 Claim, 4 Drawing Sheets**

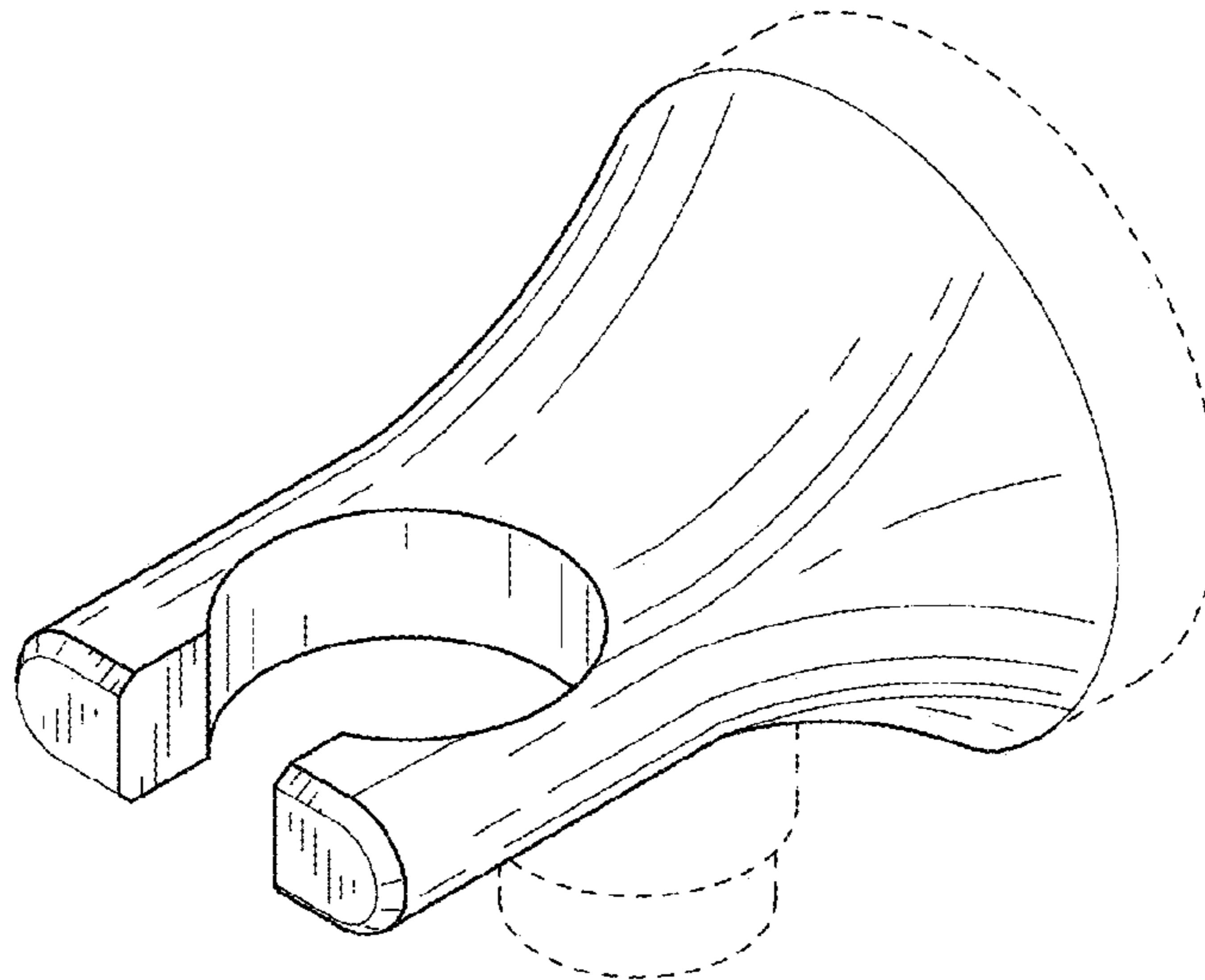
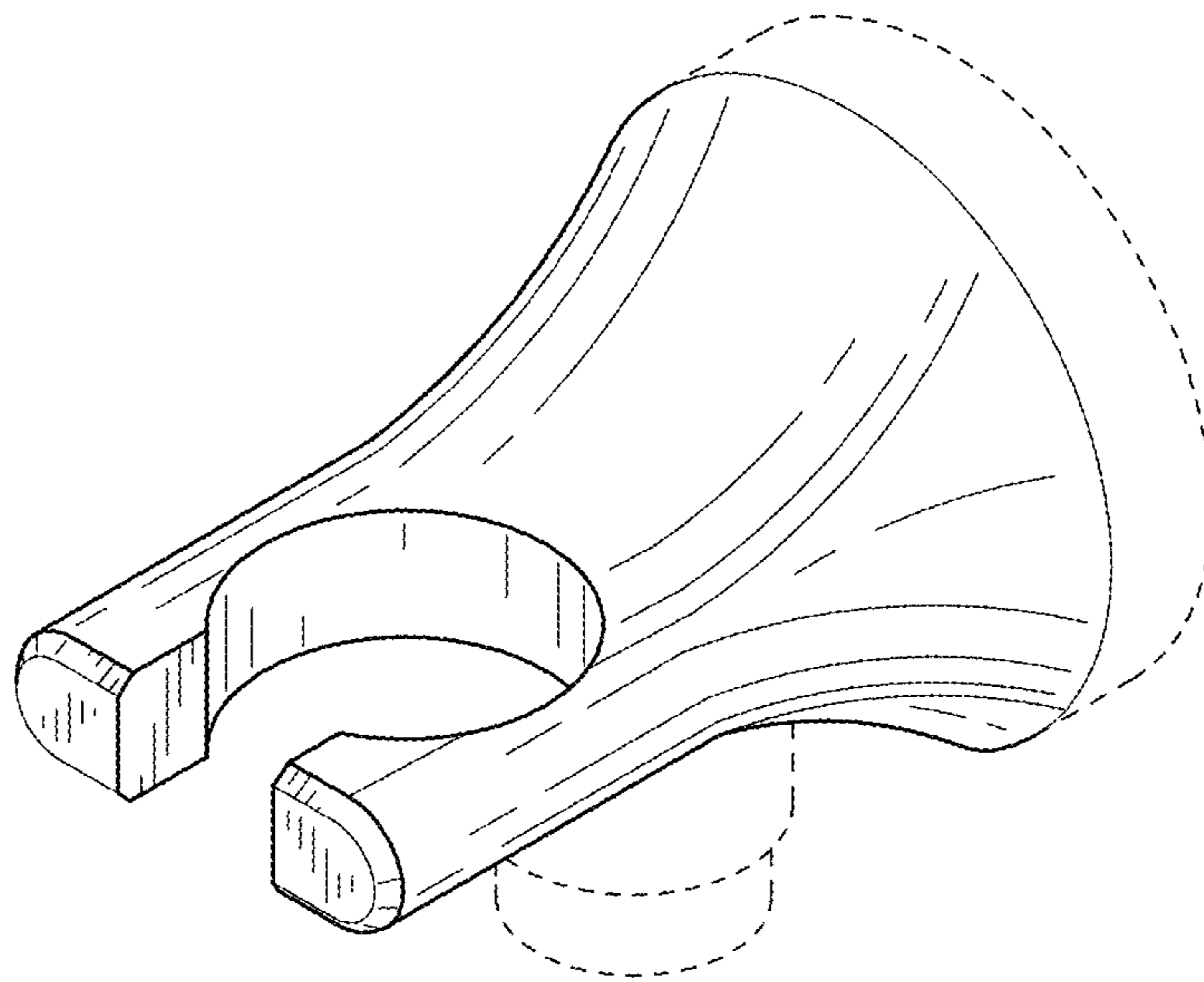
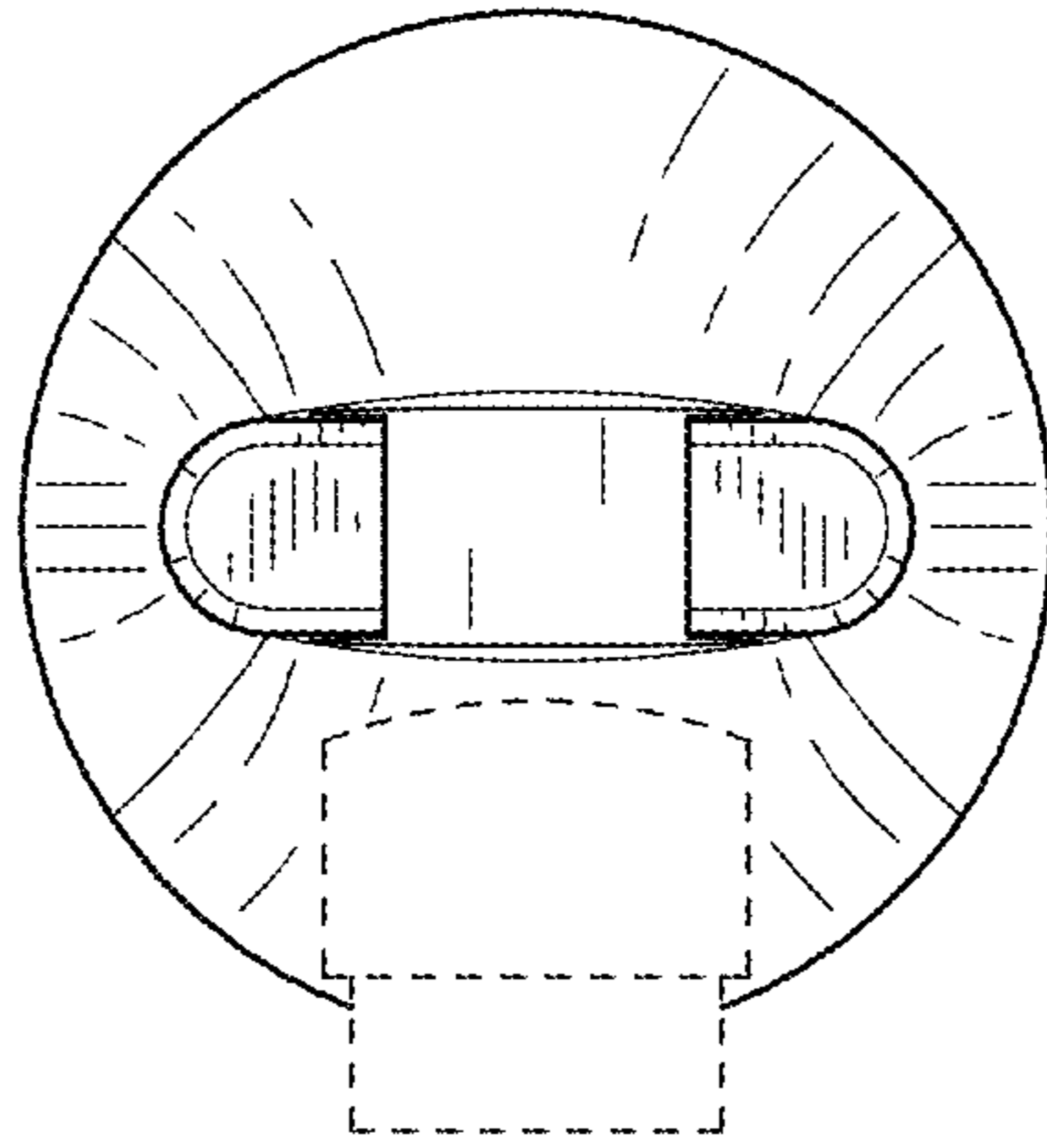


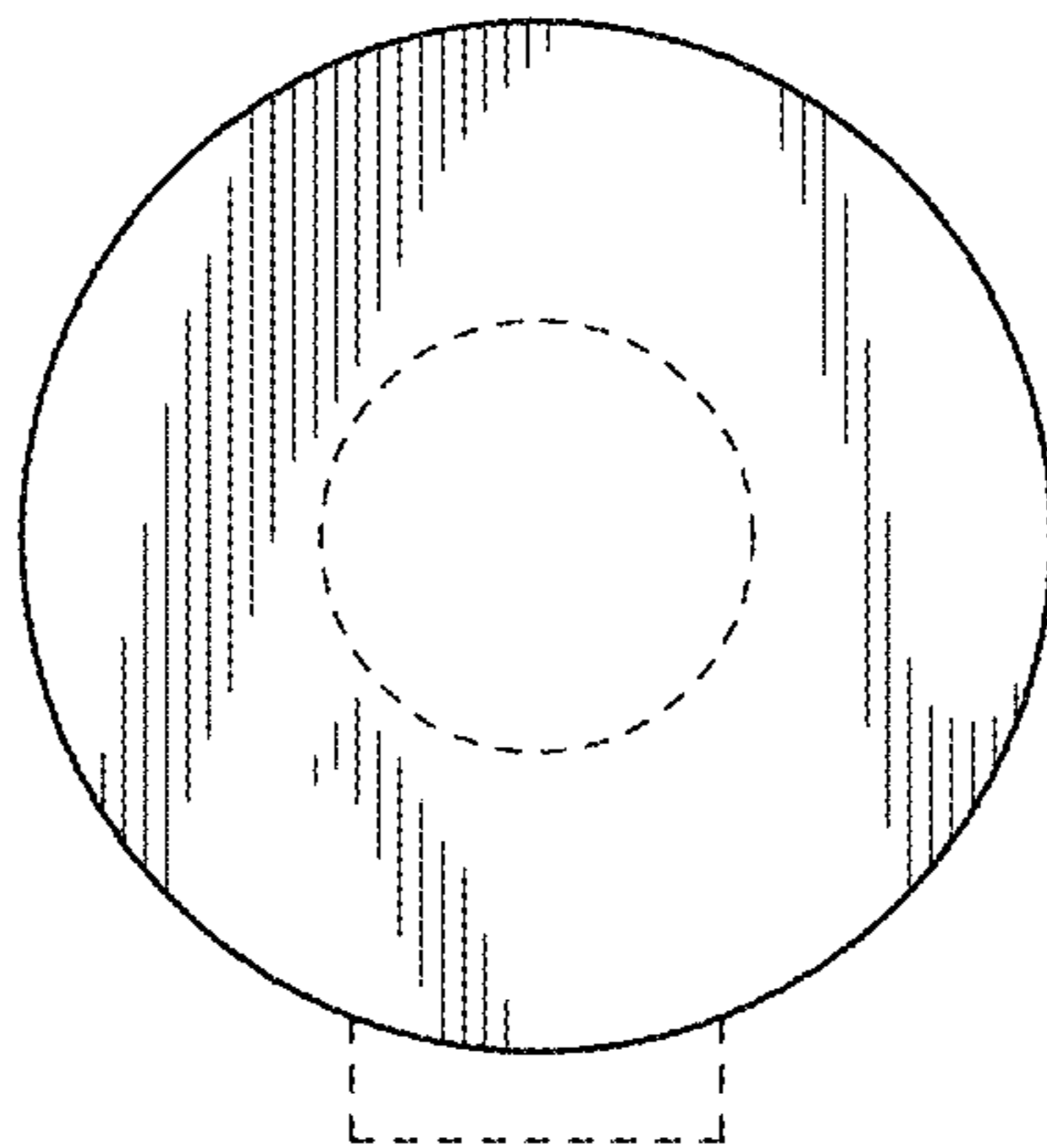
FIG. 1



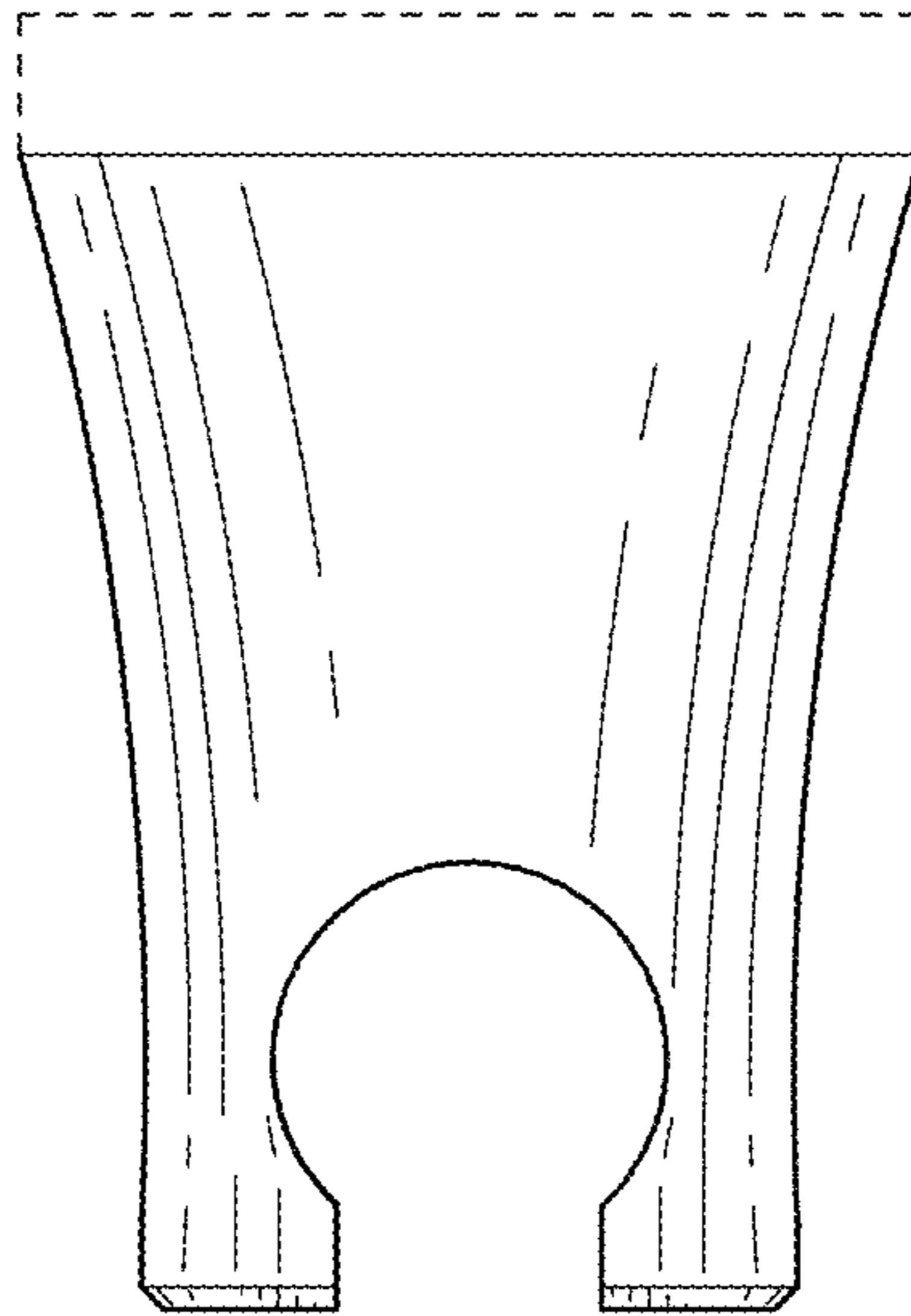
*FIG. 2*



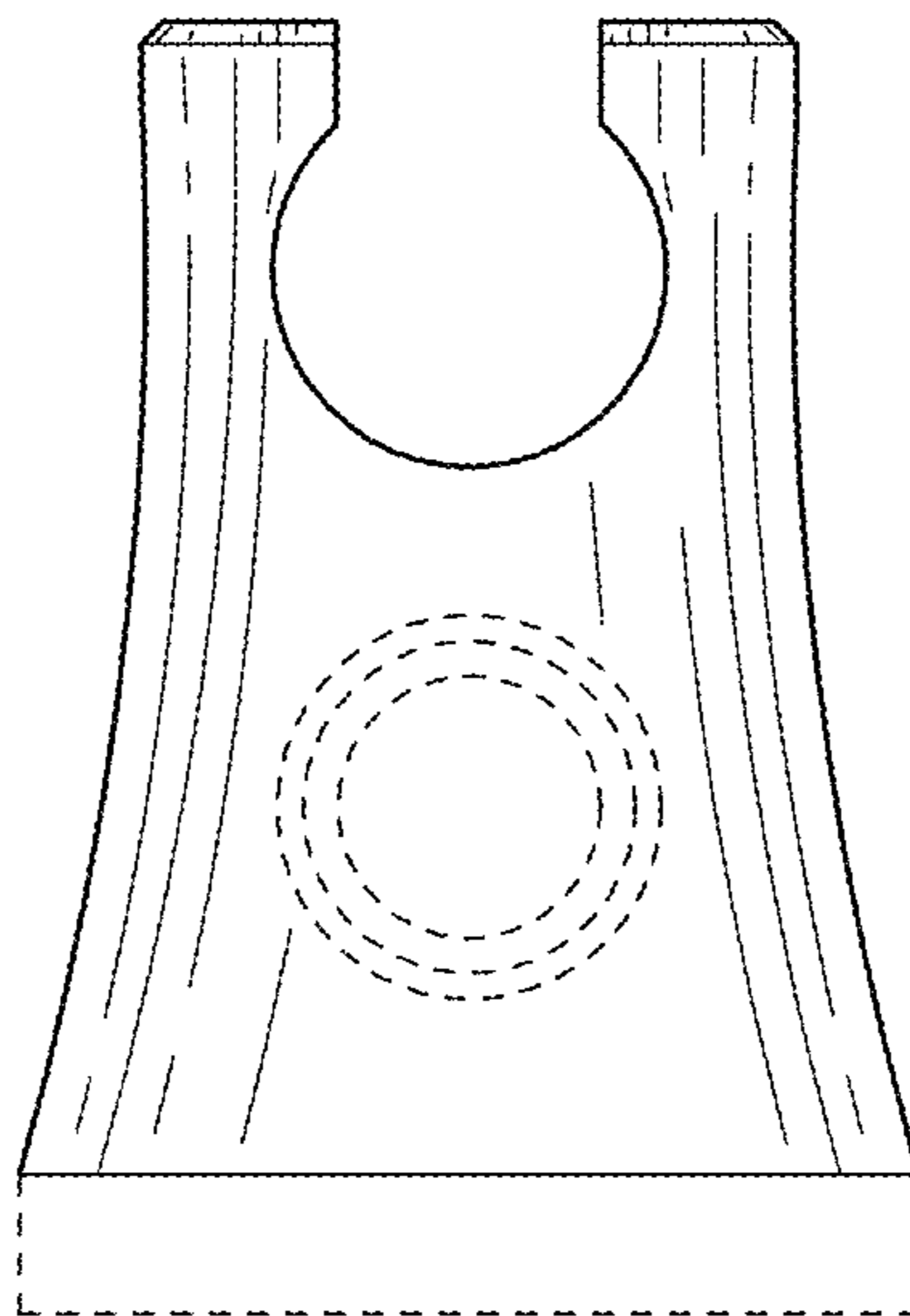
*FIG. 3*



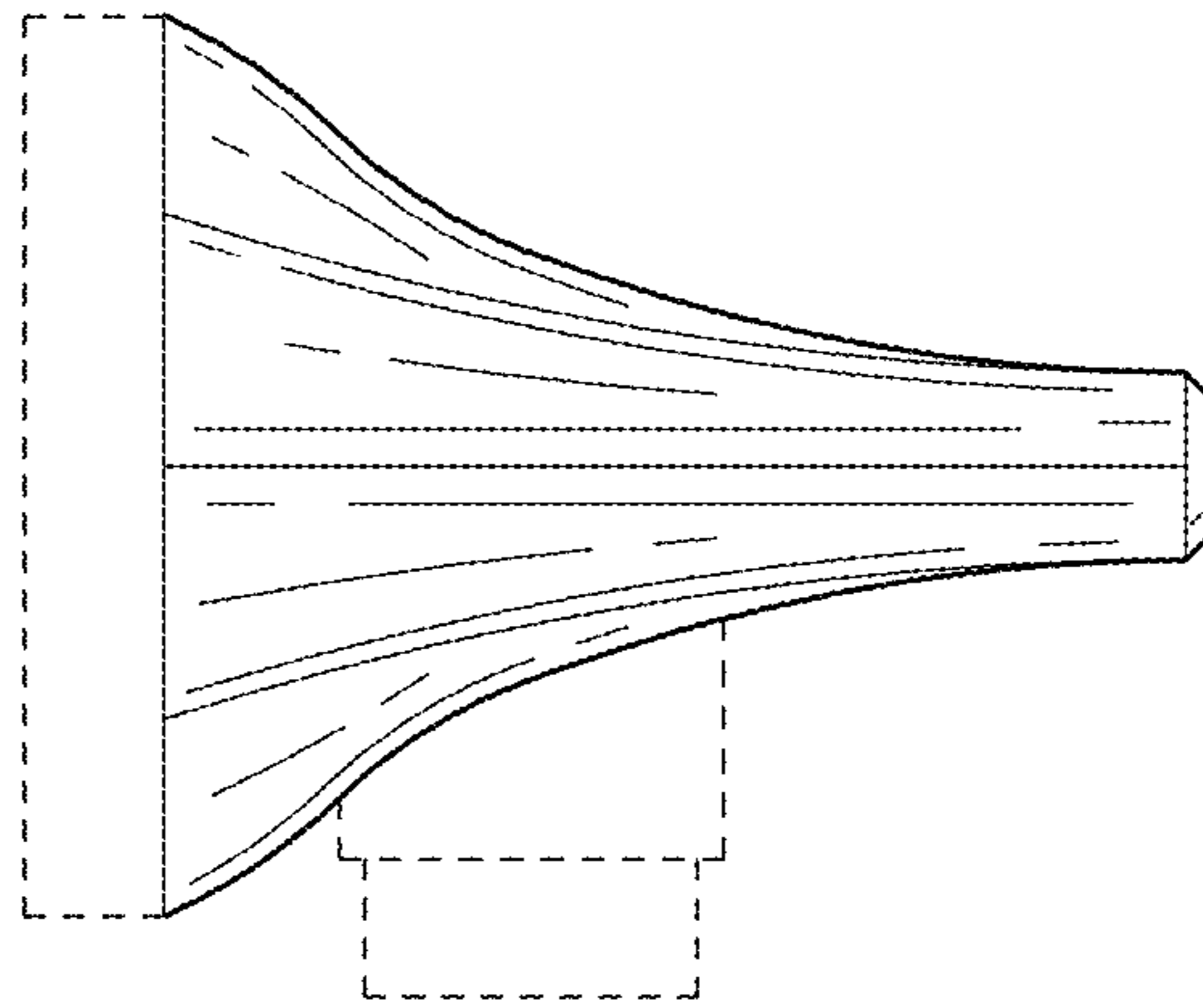
**FIG. 4**



**FIG. 5**



*FIG. 6*



*FIG. 7*

