



US00D811858S

(12) **United States Design Patent**  
**Martino et al.**

(10) **Patent No.:** **US D811,858 S**  
(45) **Date of Patent:** **\*\* Mar. 6, 2018**

(54) **GROMMET FOR A CABLE CONNECTOR  
AND A CABLE CONNECTOR**

(71) Applicant: **IPEX TECHNOLOGIES INC.,  
Oakville (CA)**

(72) Inventors: **Filippo Martino, Oakville (CA);  
Jeffrey Vincent Littlefield, Mississauga  
(CA)**

(73) Assignee: **IPEX TECHNOLOGIES INC.,  
Mississauga (CA)**

(\*\*) Term: **15 Years**

(21) Appl. No.: **29/587,939**

(22) Filed: **Dec. 16, 2016**

(51) **LOC (11) Cl.** ..... **08-05**

(52) **U.S. Cl.**  
USPC ..... **D8/356**

(58) **Field of Classification Search**  
USPC ..... D8/356, 354, 349; D13/155; 320/107  
CPC ..... H02J 7/0026; H02J 7/0021; H02J 7/0027;  
Y02E 60/12  
See application file for complete search history.

(56) **References Cited**

**U.S. PATENT DOCUMENTS**

3,062,475	A *	11/1962	Miller, Jr. ....	A01K 97/06 242/404.3
4,150,798	A *	4/1979	Aragon .....	H02G 11/02 191/12.2 R
4,390,142	A *	6/1983	Cheng .....	H02G 11/02 242/388.1
5,873,540	A *	2/1999	Hardin .....	B65H 75/143 206/406
6,234,418	B1 *	5/2001	Donaldson .....	B65H 75/28 191/12.2 R
6,966,791	B1 *	11/2005	Farr .....	B65H 75/406 206/303

7,077,693	B1 *	7/2006	Symons .....	H01R 13/72 191/12.4
D539,117	S *	3/2007	Sealey .....	D8/349
D542,123	S *	5/2007	Symons .....	D8/356
D554,017	S *	10/2007	Hampton .....	D10/119.1
7,399,199	B2 *	7/2008	Symons .....	H01R 13/72 439/242
D591,678	S *	5/2009	Whitley .....	D13/133
D598,480	S *	8/2009	Kanemitsu .....	D15/148
7,654,484	B2 *	2/2010	Mogensen .....	A61M 5/1418 242/402
7,686,830	B2 *	3/2010	Collier .....	A61B 17/0401 24/115 N
D631,730	S *	2/2011	Skillman .....	B65H 75/143 D8/356
D644,306	S *	8/2011	Douglass, III .....	D23/269
D645,334	S *	9/2011	Kanemitsu .....	D8/360
D685,771	S *	7/2013	Bertenthal .....	D14/223

(Continued)

*Primary Examiner* — Cynthia Underwood

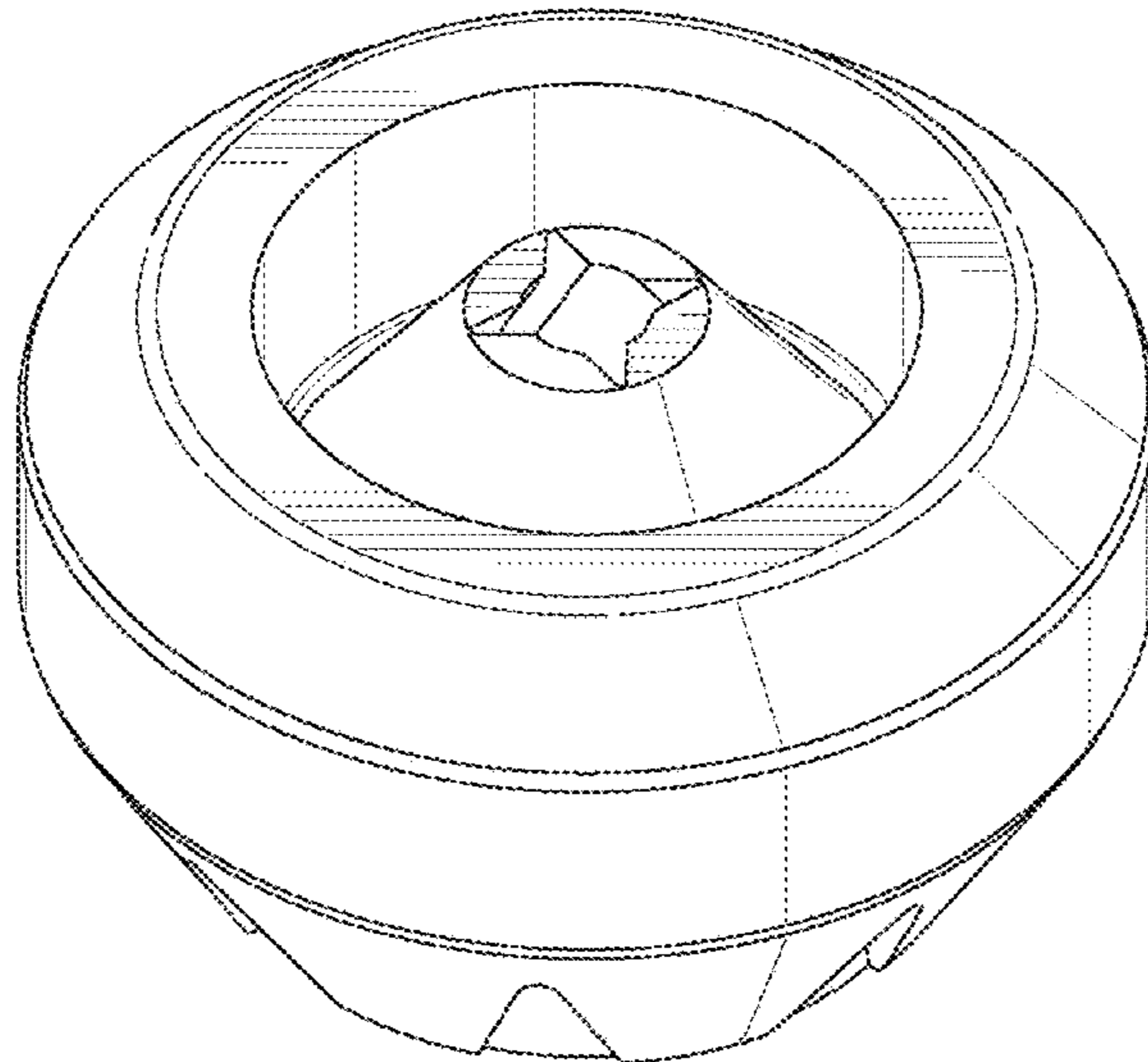
(57) **CLAIM**

We claim the ornamental design for a grommet for a cable connector and a cable connector, as shown (as described).

**DESCRIPTION**

FIG. 1 is a top perspective view showing the design; FIG. 2 is a bottom perspective view of the design shown in FIG. 1; FIG. 3 is a side view of the design shown in FIG. 1; FIG. 4 is a top view of the design shown in FIG. 1; FIG. 5 is a bottom view of the design shown in FIG. 1; FIG. 6 is a perspective view of FIG. 1 shown in an environment of use; FIG. 7 is a side view of FIG. 6; FIG. 8 is a top view of FIG. 6; and, FIG. 9 is a bottom view of FIG. 6. The broken lines represent environment that forms no part of the claim.

**1 Claim, 7 Drawing Sheets**



(56)

**References Cited**

U.S. PATENT DOCUMENTS

8,474,105 B2 \* 7/2013 Naquin ..... B63B 21/20  
24/115 R  
D716,640 S \* 11/2014 Martinson ..... D8/356  
D722,621 S \* 2/2015 Gray ..... D15/28  
D735,020 S \* 7/2015 Bradford ..... D8/356  
9,187,291 B2 \* 11/2015 Alexandre ..... B65H 75/34  
D748,455 S \* 2/2016 Symons ..... D8/356  
2002/0145073 A1 \* 10/2002 Swanson ..... A61F 15/002  
242/588.3  
2003/0122023 A1 \* 7/2003 Pitcher ..... B65H 75/143  
242/388.1  
2004/0178398 A1 \* 9/2004 Miller ..... F16H 55/44  
254/390  
2011/0036676 A1 \* 2/2011 Skillman ..... B65H 75/143  
191/12.4

\* cited by examiner

Fig. 1

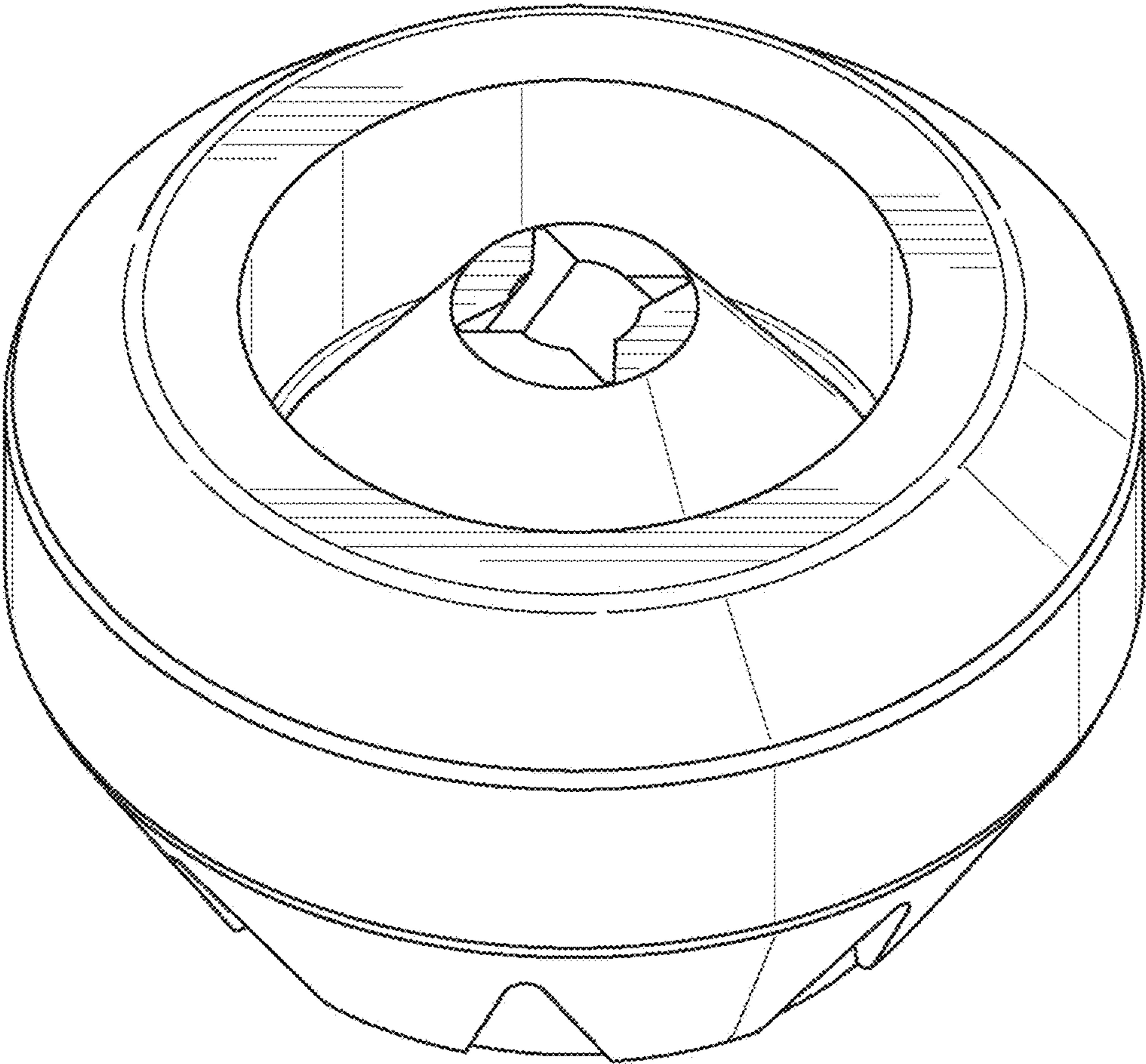


Fig. 2

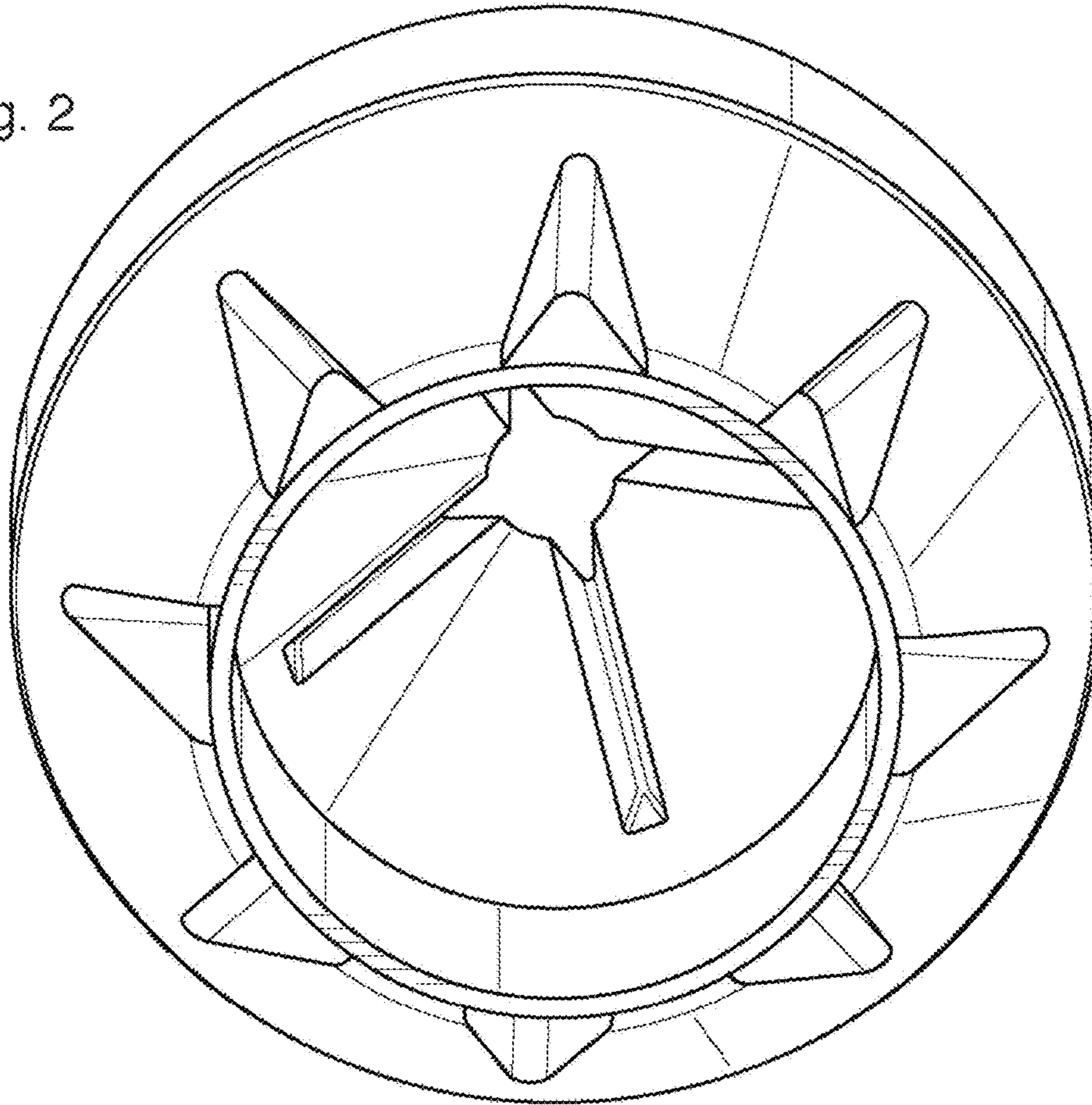


Fig. 3

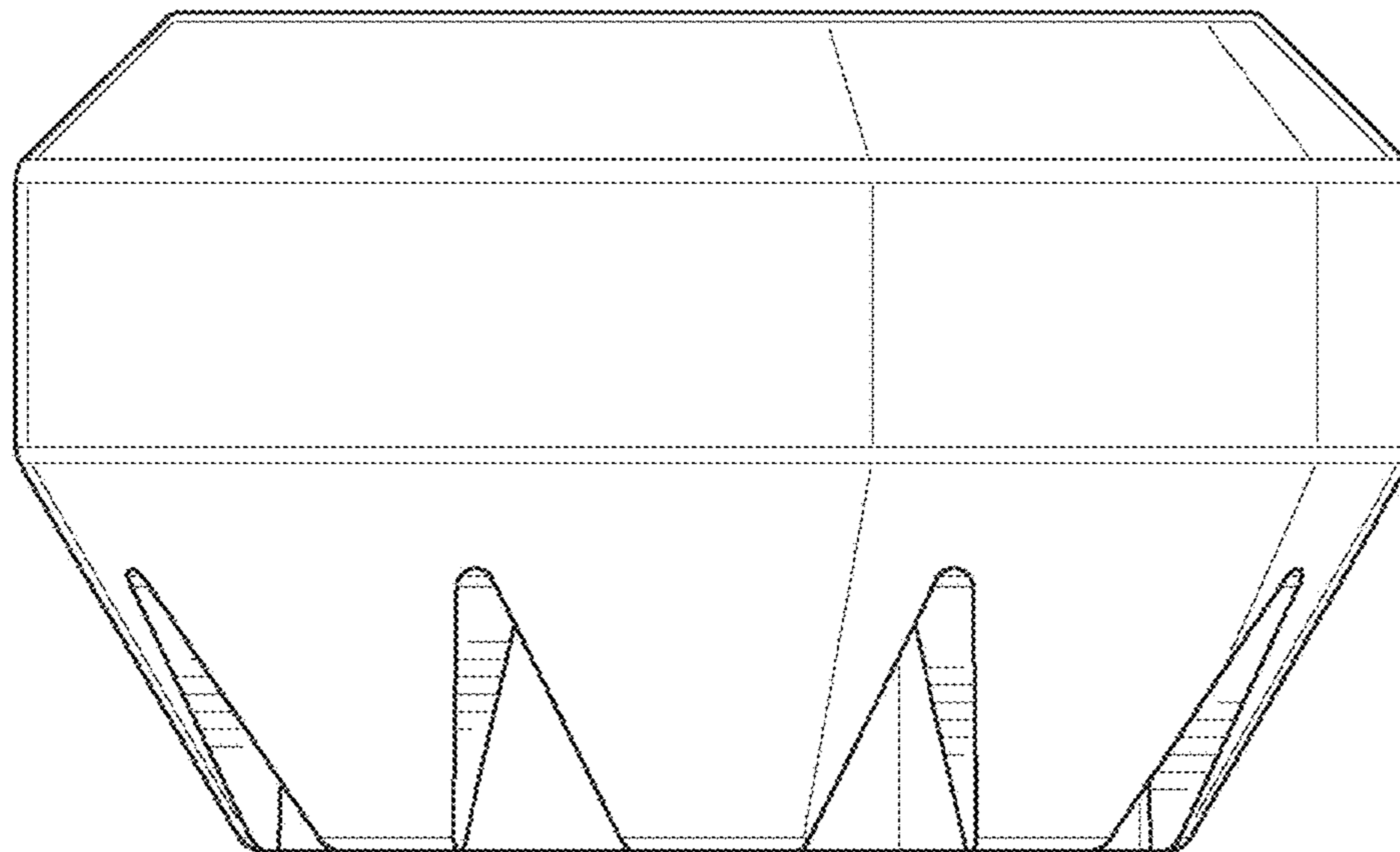


Fig. 4

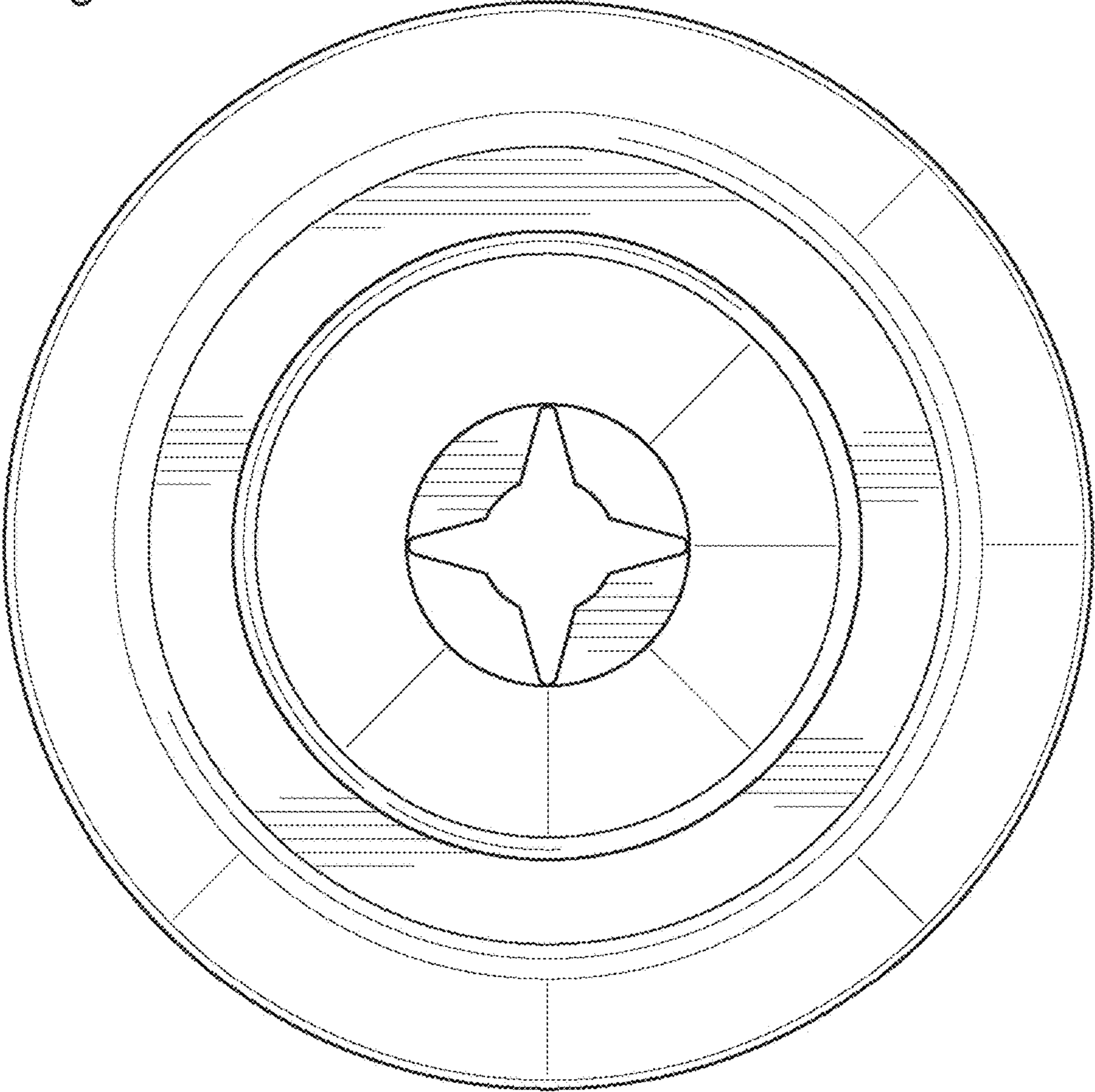


Fig. 5

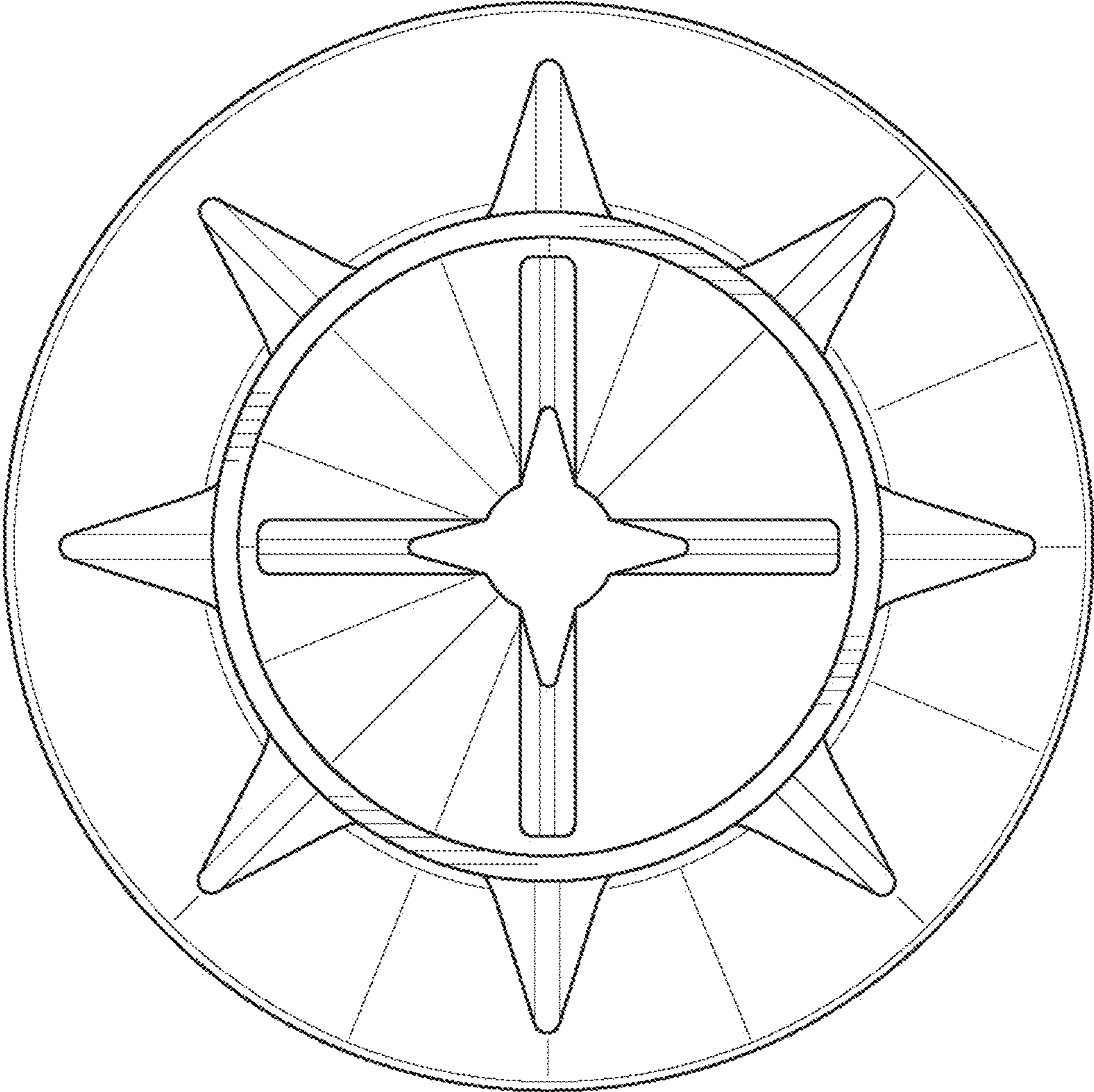


Fig. 6

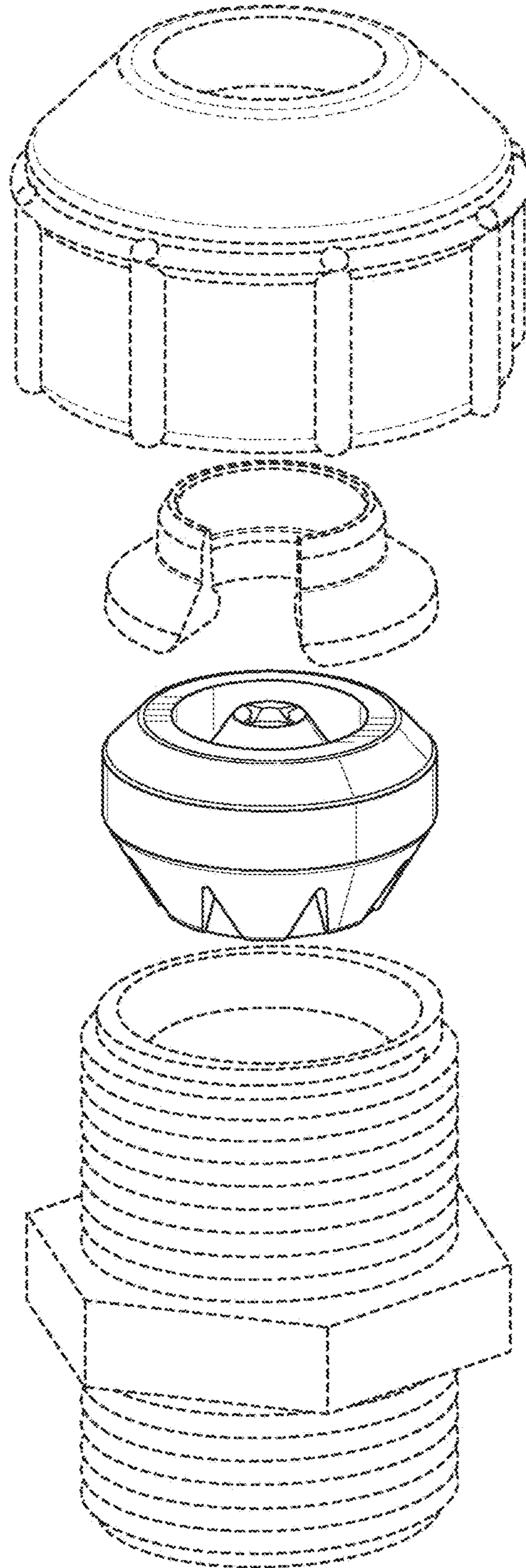


Fig. 7

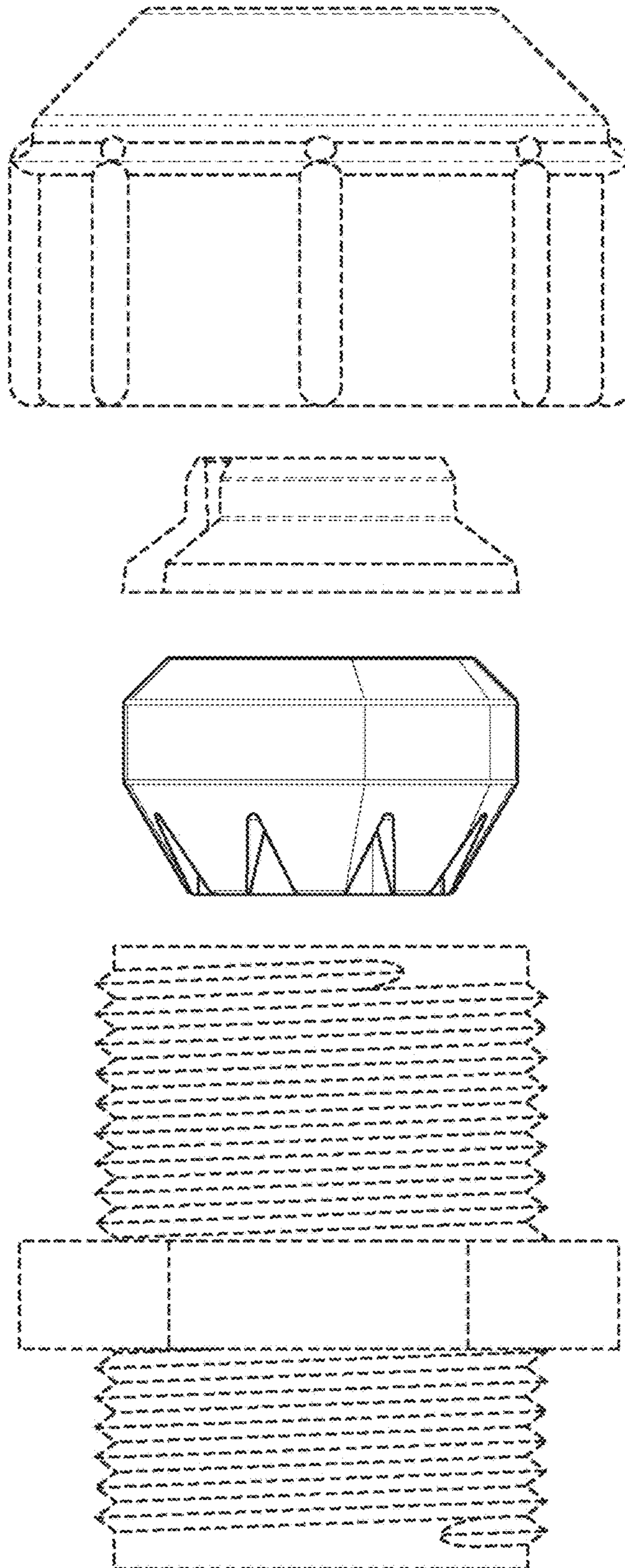




Fig. 8

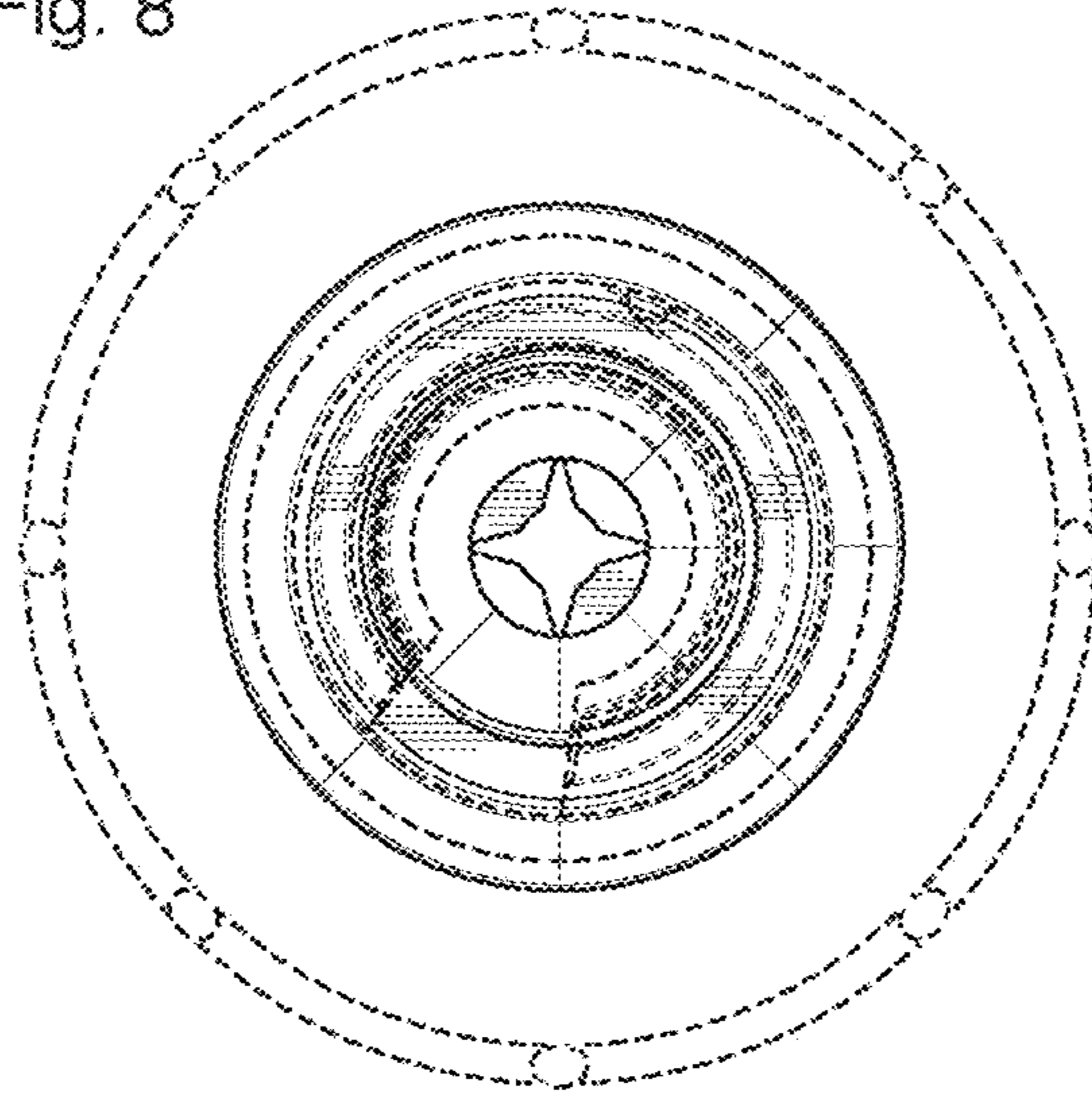


Fig. 9

