



US00D811857S

(12) **United States Design Patent** (10) **Patent No.:** **US D811,857 S**
Williams et al. (45) **Date of Patent:** **** Mar. 6, 2018**

(54) **SUPPORT FOR A WIRE SPOOL CARRIER**
(71) Applicant: **Willberk Inventions Inc.**, Surrey (CA)
(72) Inventors: **David Edward Williams**, Surrey (CA);
Guustaaf Gysbert Berkelaar, Surrey (CA)
(73) Assignee: **Willberk Inventions Inc.**, Surrey,
British Columbia (CA)

D647,784 S * 11/2011 McNamara D8/349
9,016,649 B2 * 4/2015 Nolle B65H 49/26
242/594.3
D739,715 S * 9/2015 Gradwohl D8/356
D741,152 S * 10/2015 Brett D8/356
D763,665 S * 8/2016 Hallare D8/356
D784,790 S * 4/2017 Marsh D8/349
D802,866 S * 11/2017 Williams D34/24

(Continued)

(**) Term: **15 Years**

(21) Appl. No.: **29/571,434**

(22) Filed: **Jul. 18, 2016**

(51) **LOC (11) Cl.** **09-06**

(52) **U.S. Cl.**
USPC **D8/356**

(58) **Field of Classification Search**
USPC D8/356, 354, 349; D34/24
CPC B62B 2202/025; B62B 2203/05; B65H
49/32; B65H 54/65
See application file for complete search history.

(56) **References Cited**

U.S. PATENT DOCUMENTS

D130,351 S 11/1941 Hunt
D143,329 S 12/1945 Leonard
D183,289 S * 7/1958 Ott 280/15
D184,962 S 4/1959 Ress
D263,210 S * 3/1982 Langen D34/24
4,358,123 A * 11/1982 Richards A47L 13/24
15/246
4,583,904 A 4/1986 Maxwell
D295,100 S 4/1988 Talton et al.
D342,361 S * 12/1993 Williams D34/24
6,085,503 A * 7/2000 Hutchinson A01D 34/001
248/230.1
D470,393 S * 2/2003 Kelleghan D8/356
6,634,592 B1 * 10/2003 Berousek B65H 49/32
242/404.2

FOREIGN PATENT DOCUMENTS

CA 69927 1/1992

Primary Examiner — Cynthia R Underwood
(74) *Attorney, Agent, or Firm* — Todd A. Rattray; Oyen
Wiggs Green & Mutala LLP

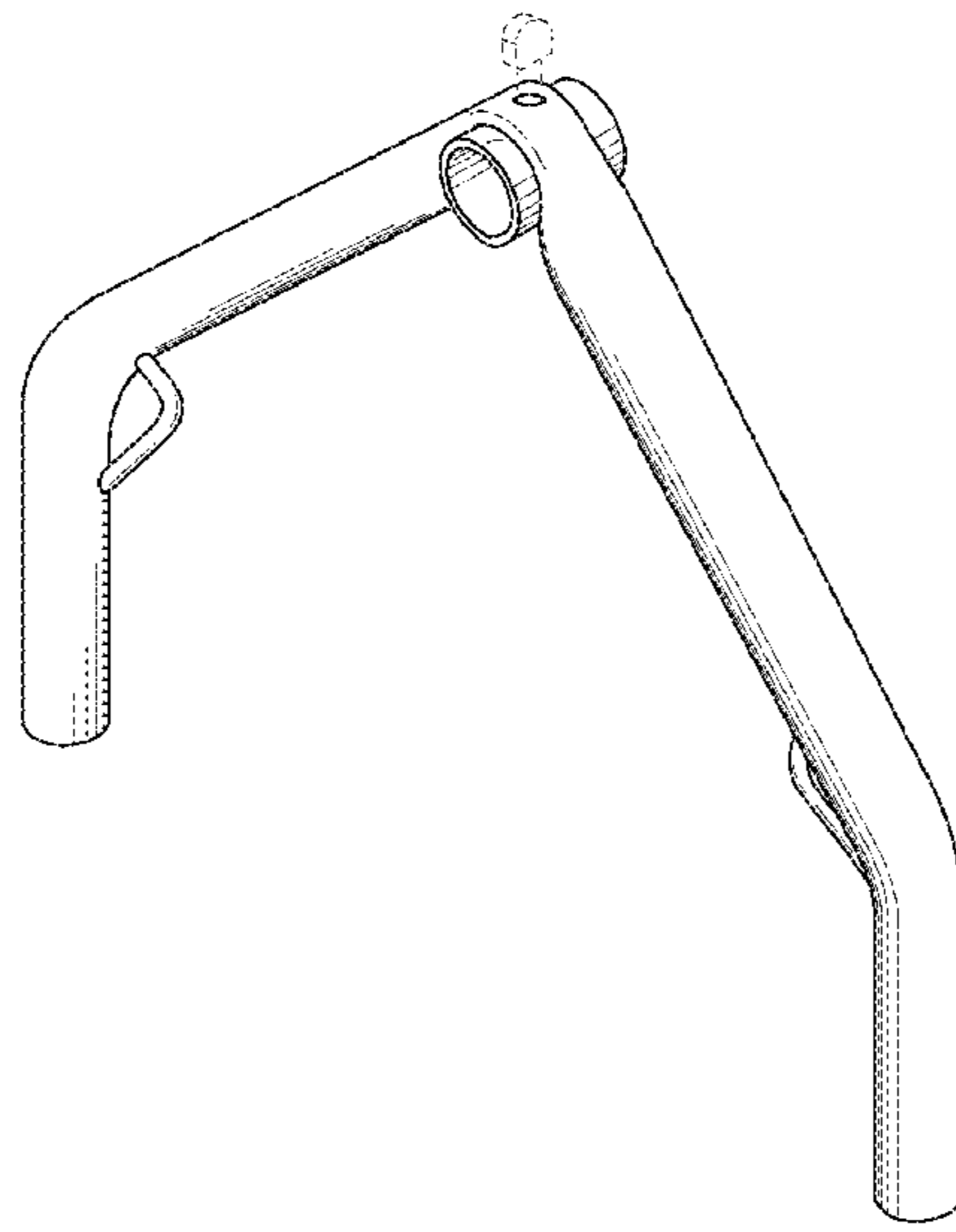
(57) **CLAIM**

The ornamental design for a support for a wire spool carrier,
as shown and described.

DESCRIPTION

FIG. 1 is a perspective view of a support for a wire spool carrier;
FIG. 2 is a front plan view of the support for a wire spool carrier, the rear plan view being a mirror image of the front plan view;
FIG. 3 is a left side plan view of the support for a wire spool carrier, the right side plan view being a mirror image of the left side plan view;
FIG. 4 is a top plan view of the support for a wire spool carrier;
FIG. 5 is a bottom plan view of the support for a wire spool carrier; and,
FIG. 6 is a perspective view of the support for a wire spool carrier in use as a part of a mobile support unit for carrying multiple wire spools.
The features shown in broken lines are for illustrative purposes only and form no part of the claimed design.

1 Claim, 3 Drawing Sheets



(56)

References Cited

U.S. PATENT DOCUMENTS

2007/0120003 A1* 5/2007 Grant B65H 49/24
242/557

* cited by examiner

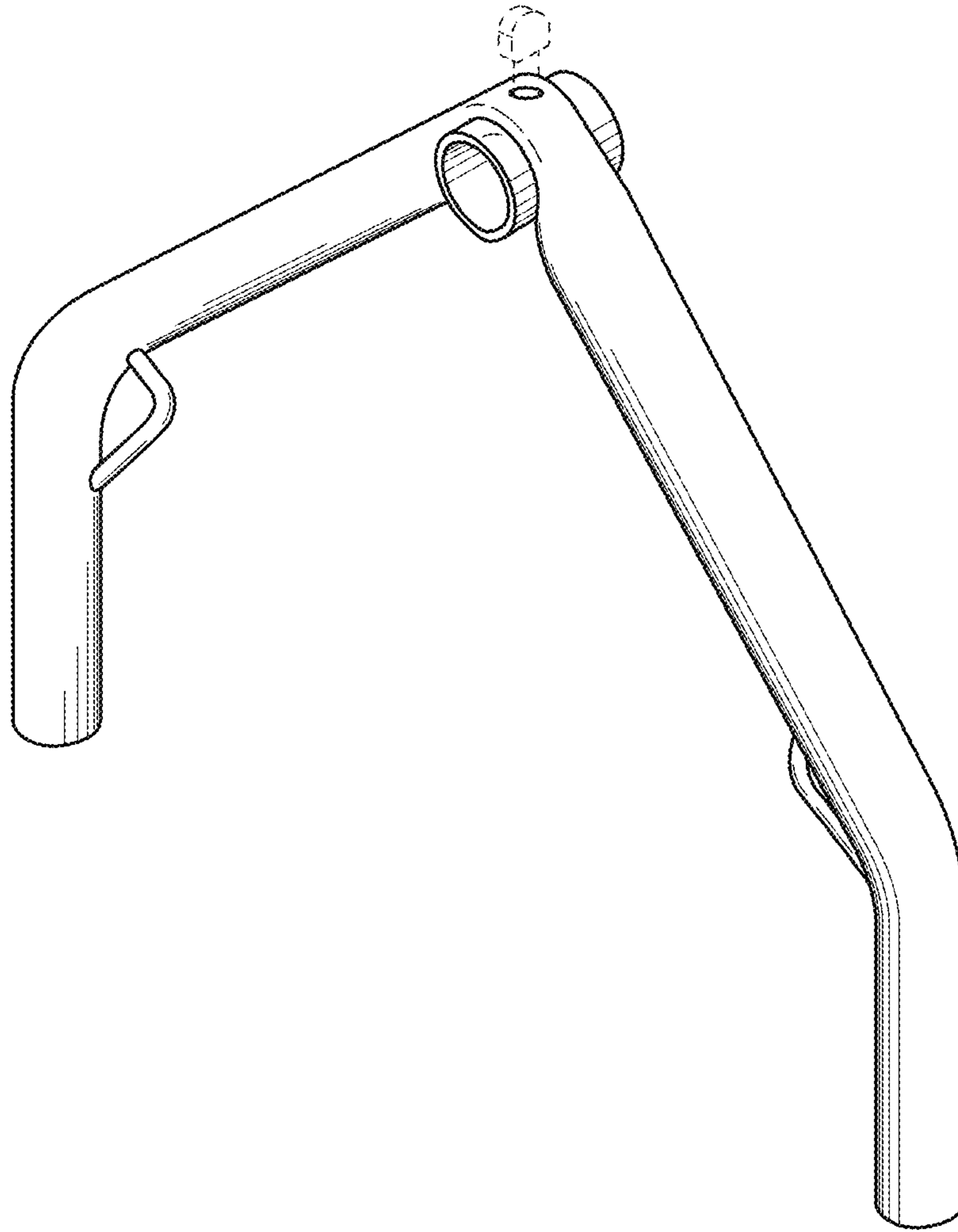


Fig. 1

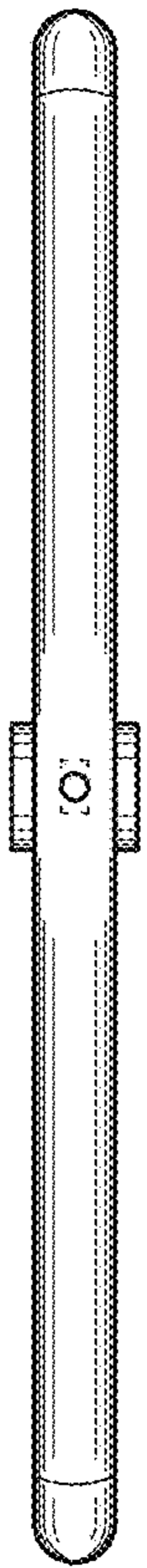


Fig. 4

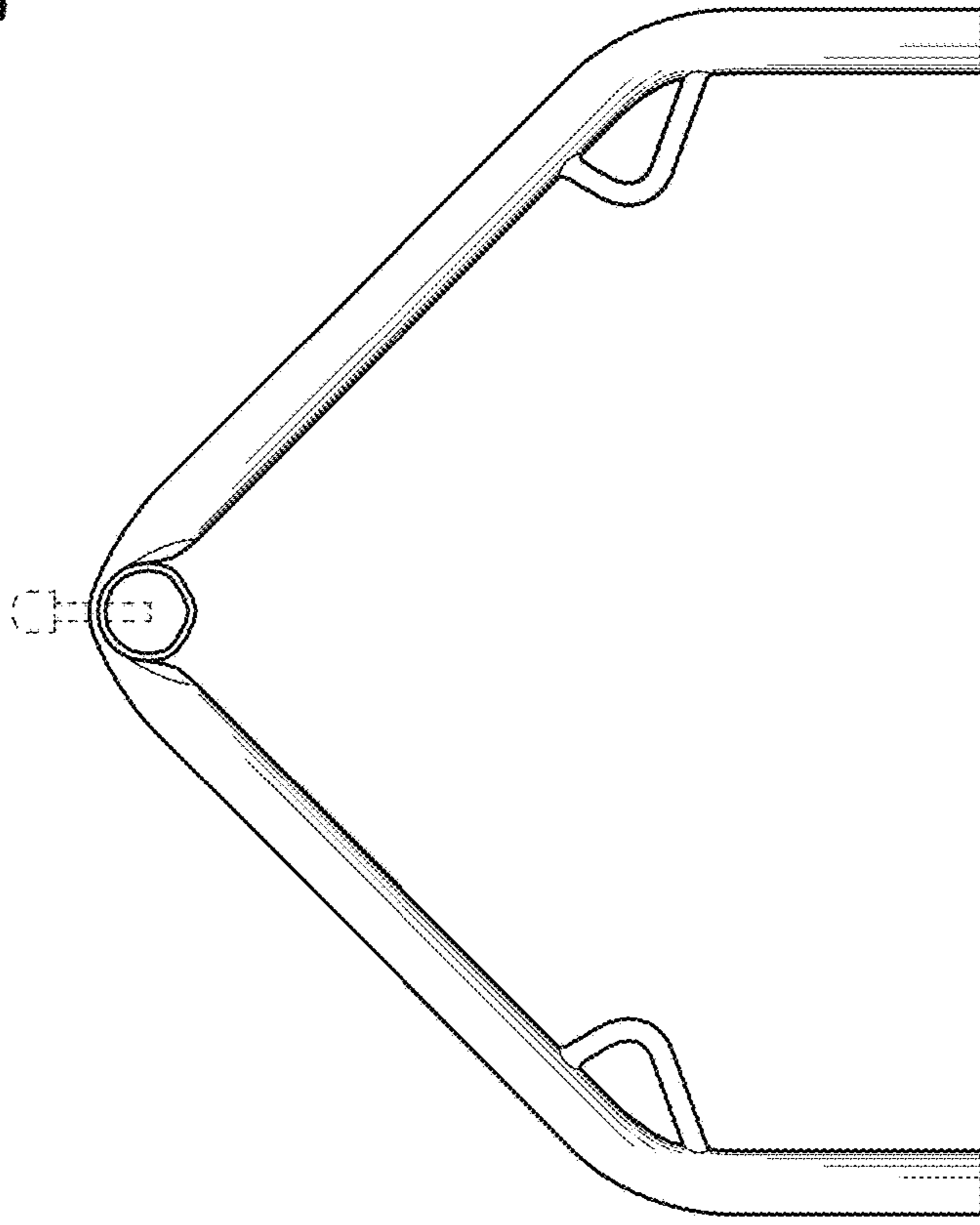


Fig. 2

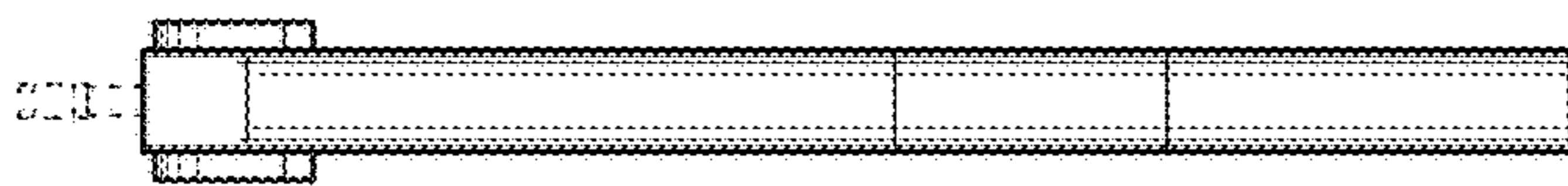


Fig. 3



Fig. 5

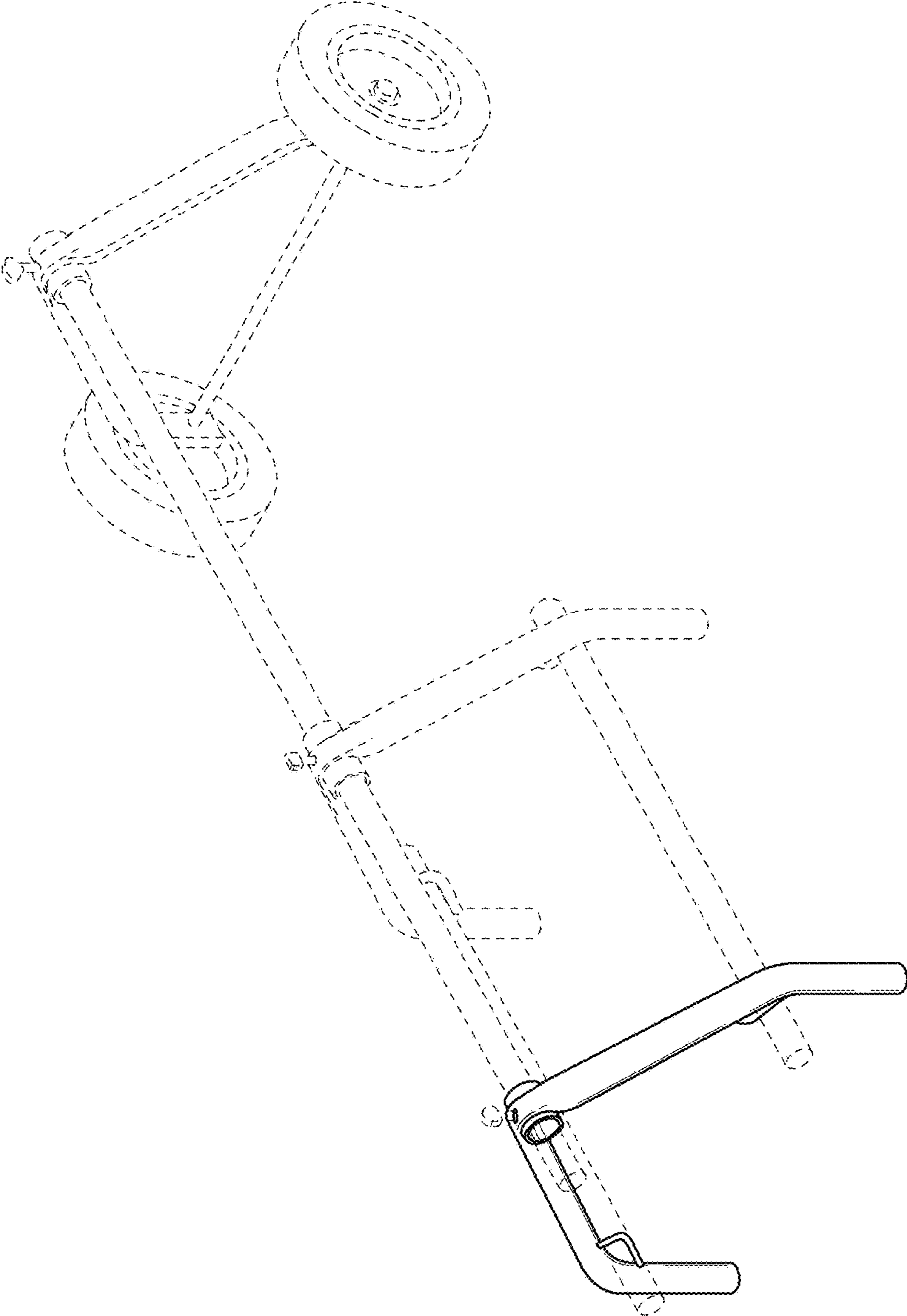


Fig. 6