



US00D811856S

(12) **United States Design Patent**
Richter

(10) **Patent No.:** **US D811,856 S**
(45) **Date of Patent:** **** *Mar. 6, 2018**

(54) **HOLDER AND HOLDER SUPPORT WITH PIVOTABLE ARM-ACTUATED SUCTION MEMBRANE**

(71) Applicant: **Harald Richter**, Engelbrand (DE)

(72) Inventor: **Harald Richter**, Engelbrand (DE)

(*) Notice: This patent is subject to a terminal disclaimer.

(**) Term: **15 Years**

(21) Appl. No.: **29/530,161**

(22) Filed: **Jun. 14, 2015**

(51) **LOC (11) Cl.** **08-05**

(52) **U.S. Cl.**
USPC **D8/355**

(58) **Field of Classification Search**
USPC ... D14/140, 217, 224, 224.1, 229, 240, 243, D14/250-253, 299, 344, 434, 447, D14/451-452, 483, 496; D13/108; 361/679.41; 439/534; 320/116, 107; D8/355, 363; D12/415, 418; D3/201, D3/218, 269, 273, 301; D11/79; 63/76
CPC F16B 47/00; F16M 13/00
See application file for complete search history.

(56) **References Cited**

U.S. PATENT DOCUMENTS

D554,136 S *	10/2007	Richter	D14/251
D554,137 S *	10/2007	Richter	D14/251
D588,903 S *	3/2009	Carnevali	D8/355
D590,834 S *	4/2009	Richter	D14/253
D599,355 S *	9/2009	Richter	D14/253
D602,024 S *	10/2009	Richter	D14/253
D602,025 S *	10/2009	Richter	D14/253
D603,322 S *	11/2009	Nicieja	D12/415
D619,586 S *	7/2010	Richter	D14/253
D619,587 S *	7/2010	Richter	D14/253

(Continued)

Primary Examiner — Lakiya G Rogers
Assistant Examiner — Harold E Blackwell, II
(74) *Attorney, Agent, or Firm* — Klaus J. Bach

(57) **CLAIM**

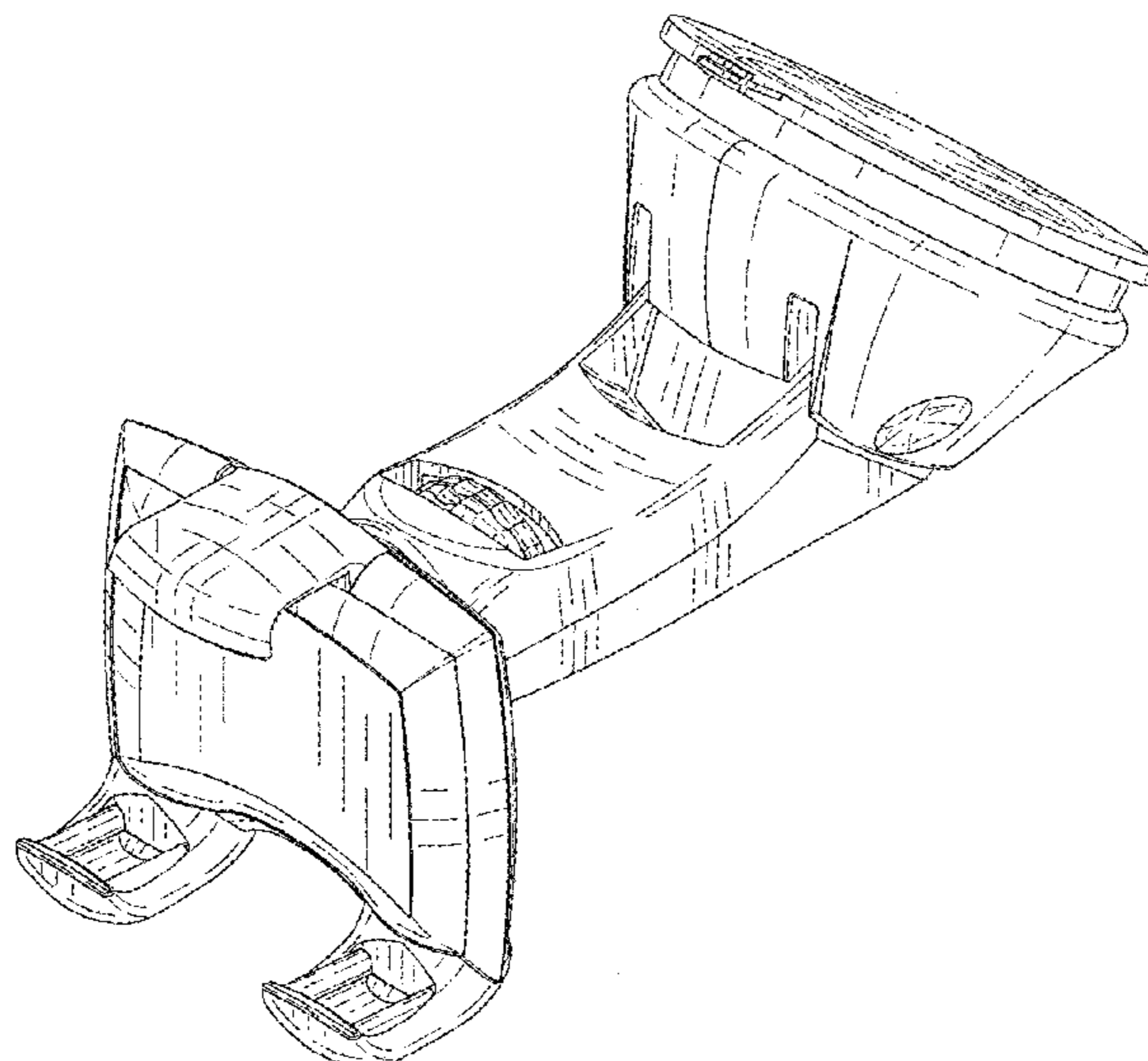
The ornamental design for a holder and holder support with pivotable arm-actuated suction membrane, as shown and described.

DESCRIPTION

FIG. 1 is a perspective view of an holder and holder support with pivotable arm-actuated suction membrane;
FIG. 2 is a right side view of the holder and holder support with pivotable arm-actuated suction membrane shown in FIG. 1,
FIG. 3 is a left side view of the holder and holder support with pivotable arm-actuated suction membrane shown in FIG. 2,
FIG. 4 is a front view of the holder and holder support with pivotable arm-actuated suction membrane shown in FIG. 1,
FIG. 5 is a rear view of the holder and holder support with pivotable arm-actuated suction membrane shown in FIG. 1,
FIG. 6 is a top view of the holder and holder support with pivotable arm-actuated suction membrane shown in FIG. 1; and,
FIG. 7 is a bottom view of the holder and holder support with pivotable arm-actuated suction membrane shown in FIG. 1.

The broken lines in the drawings illustrate portions of the holder and holder support with pivotable arm-actuated suction membrane which are not part of the claimed design. In the holder and apparatus holder support with pivotable arm-actuated suction membrane, the pivot arm is pivoted for actuating the suction membrane to firmly engage the apparatus holder with a smooth surface. The apparatus holder is used for holding an apparatus such as cell phone, a GPS or a tablet.

1 Claim, 7 Drawing Sheets



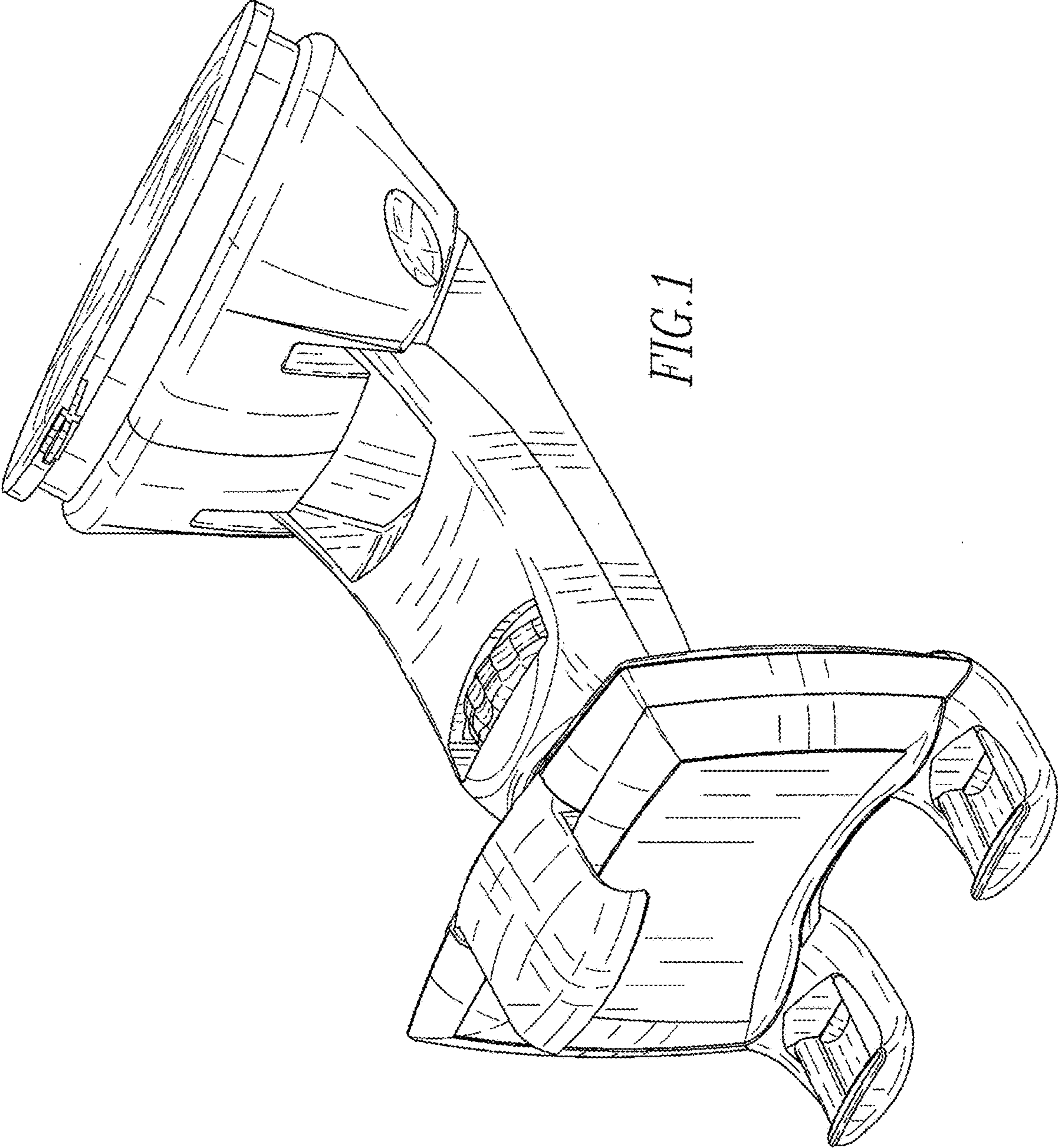
(56)

References Cited

U.S. PATENT DOCUMENTS

D638,008 S	*	5/2011	Richter	D14/253
D655,284 S	*	3/2012	Richter	D14/253
D681,028 S	*	4/2013	Richter	D14/253
D681,029 S	*	4/2013	Richter	D14/253
D709,074 S	*	7/2014	Tsui	D14/447
D715,790 S	*	10/2014	Conomos	D14/253
D750,612 S	*	3/2016	Chen	D14/253

* cited by examiner



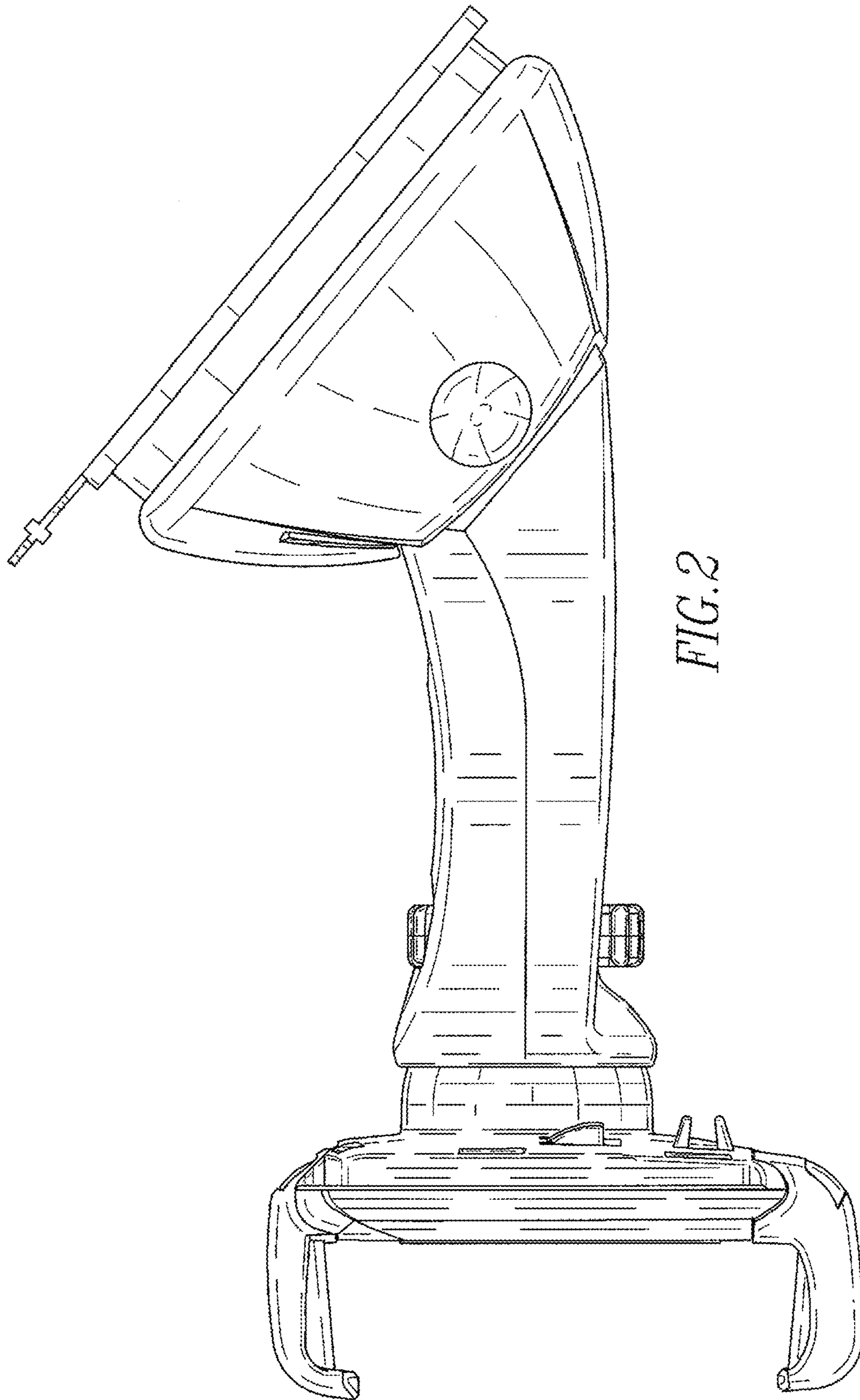


FIG. 2

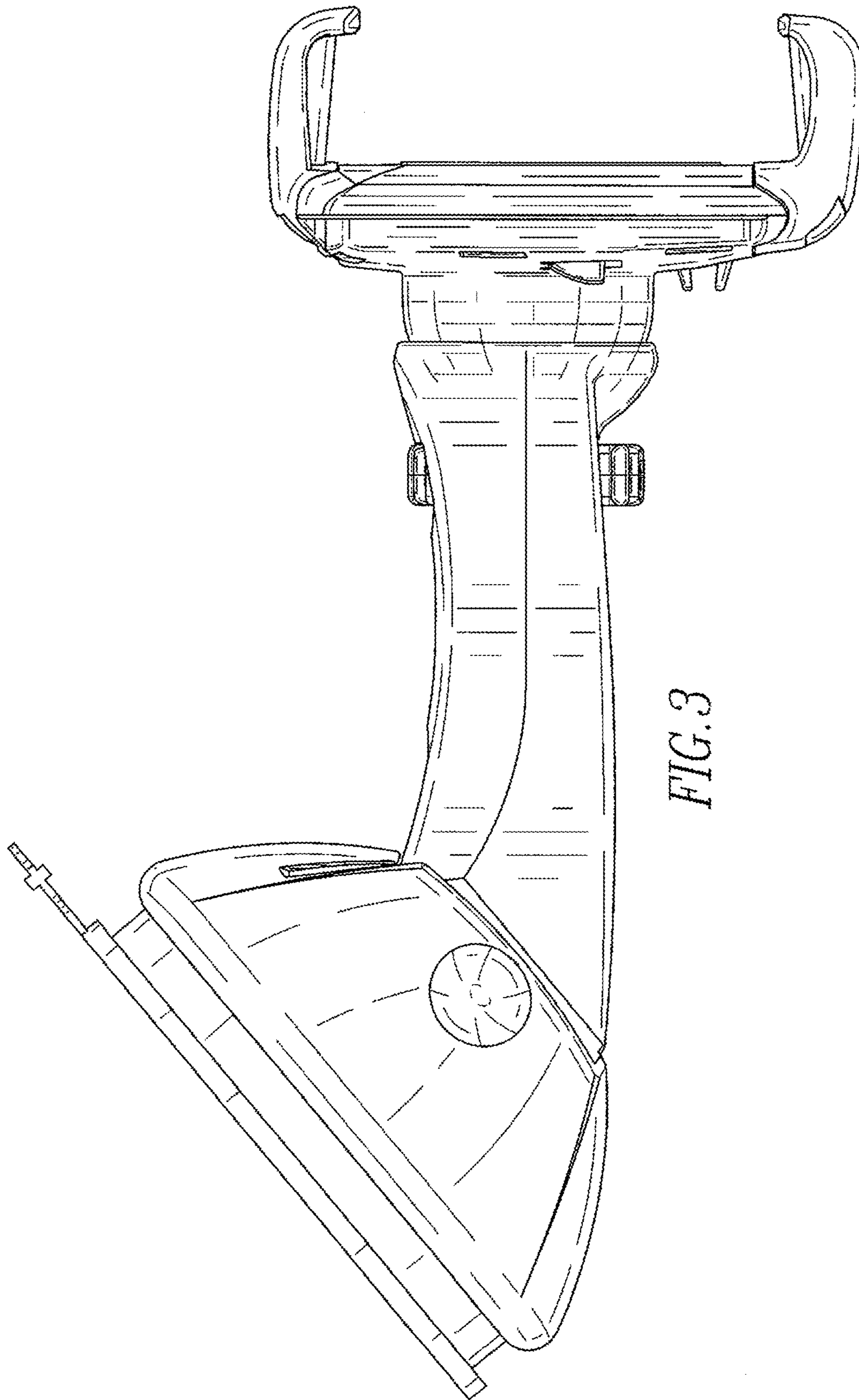


FIG. 3

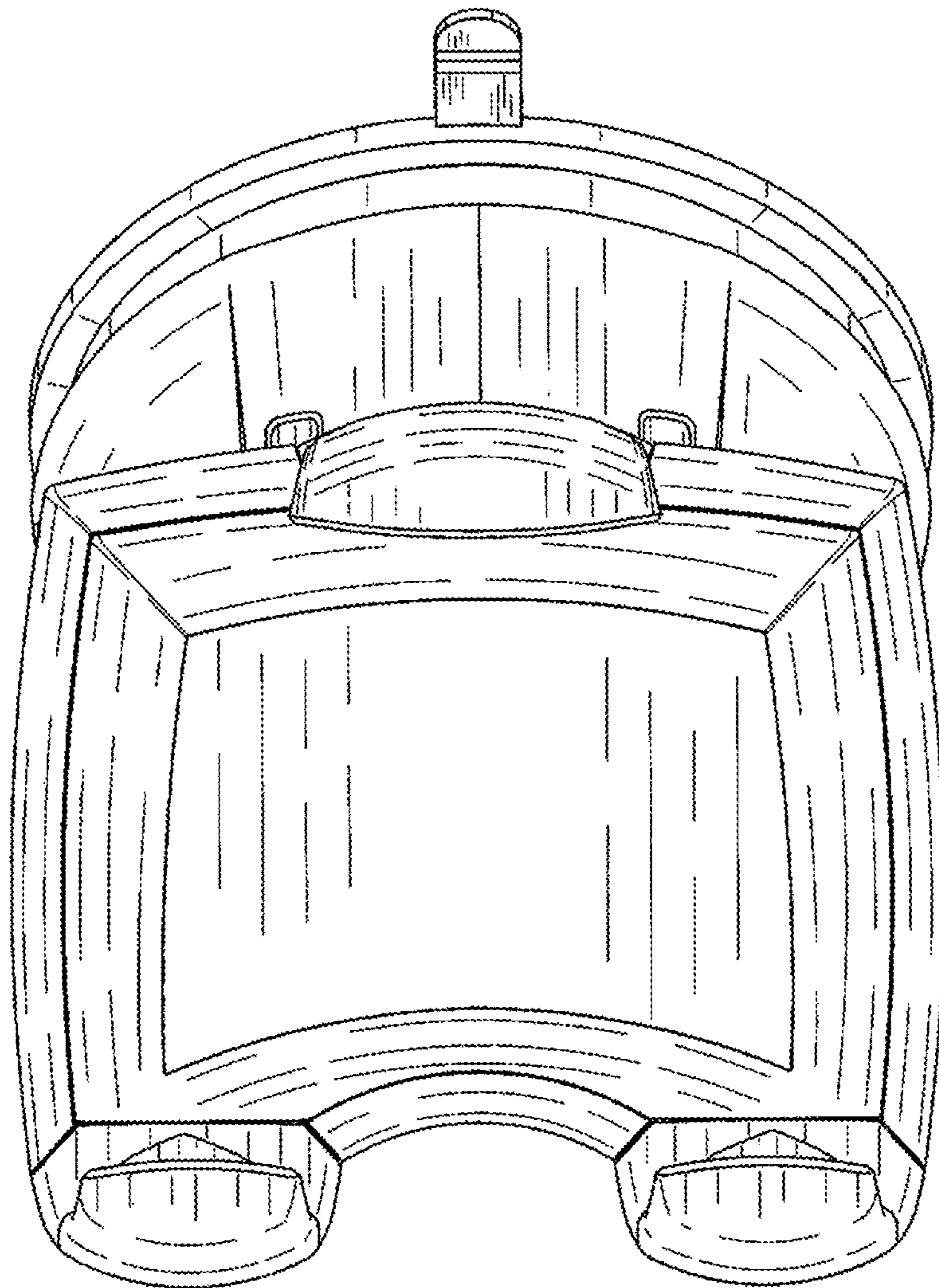


FIG. 4

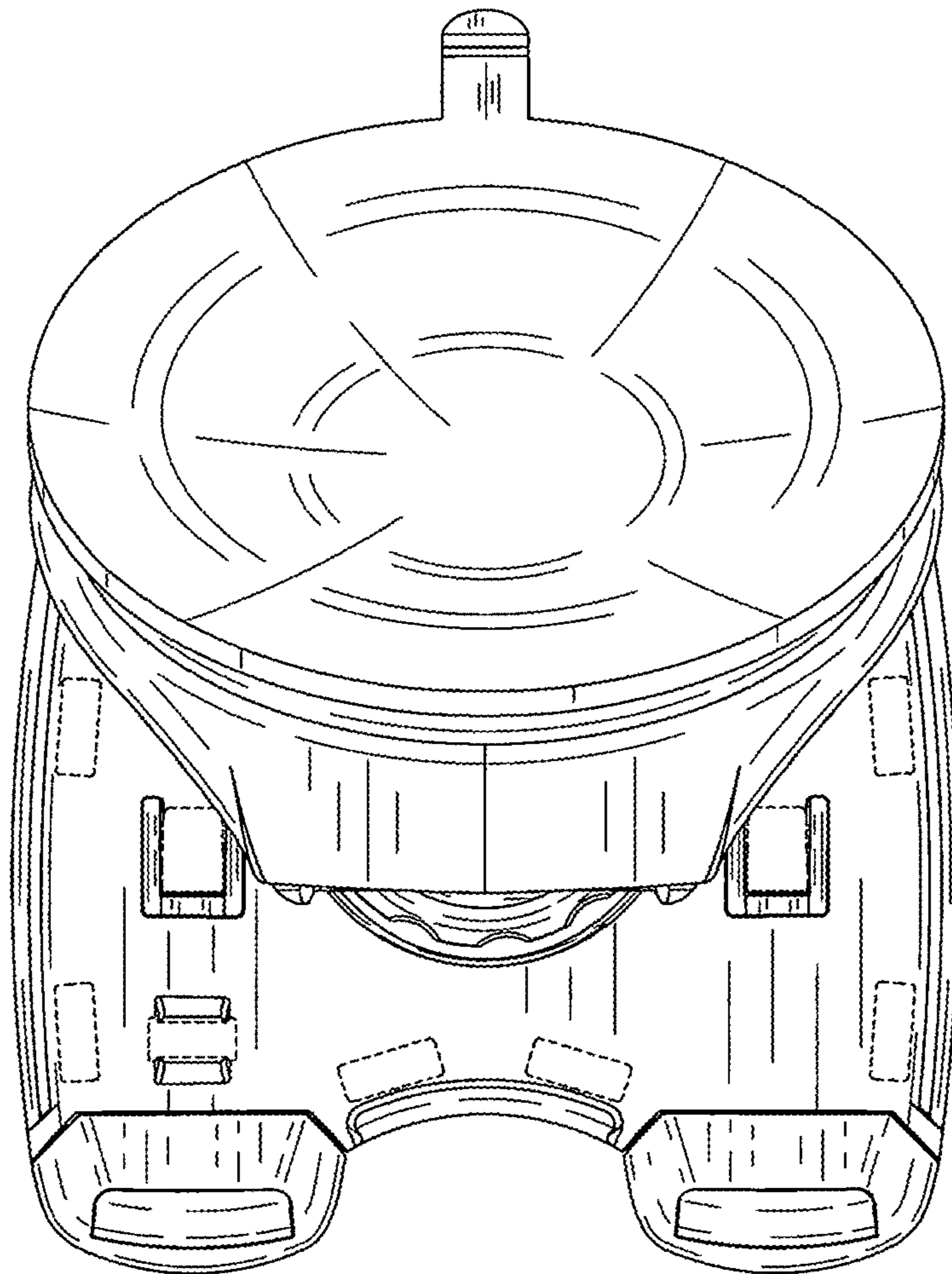


FIG. 5

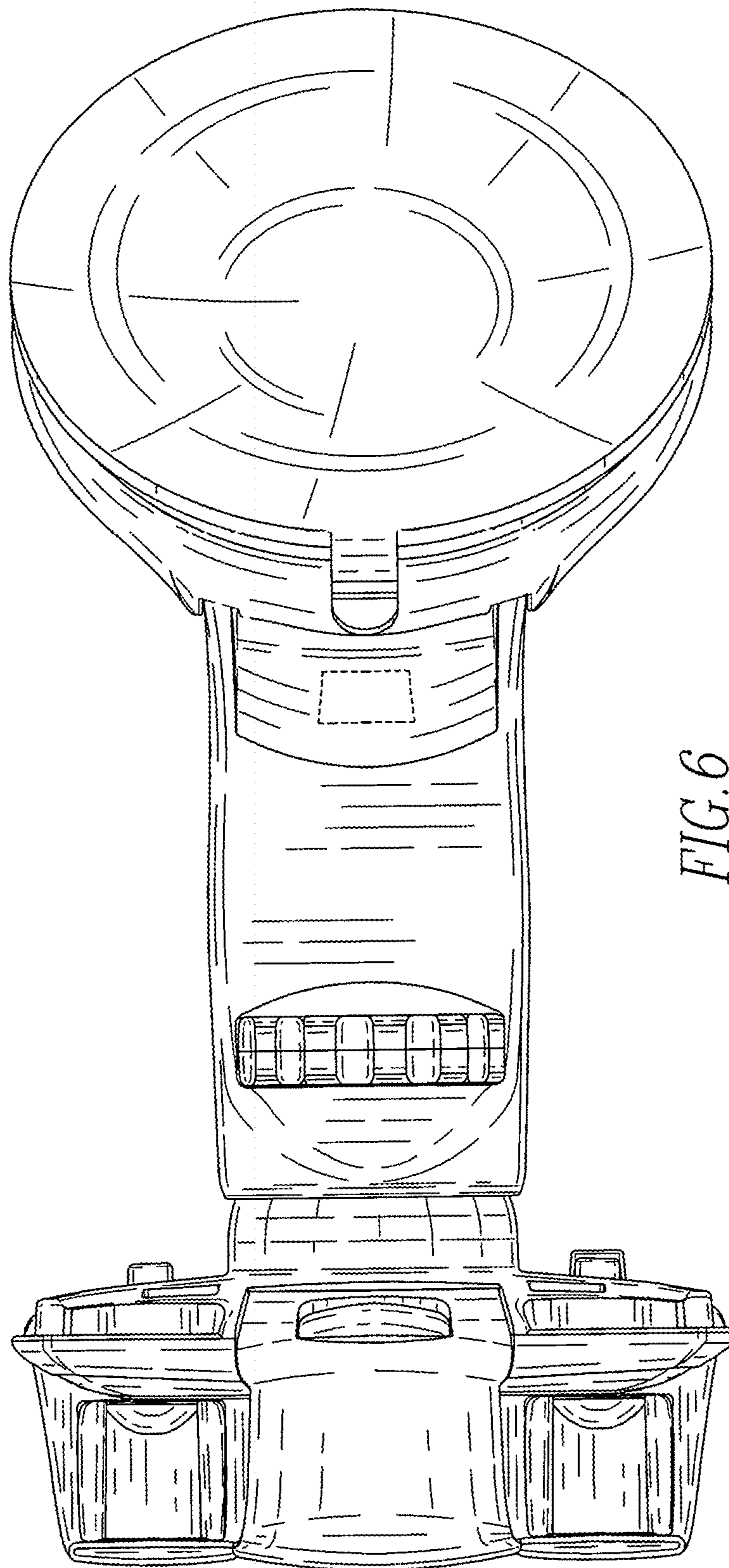


FIG. 6

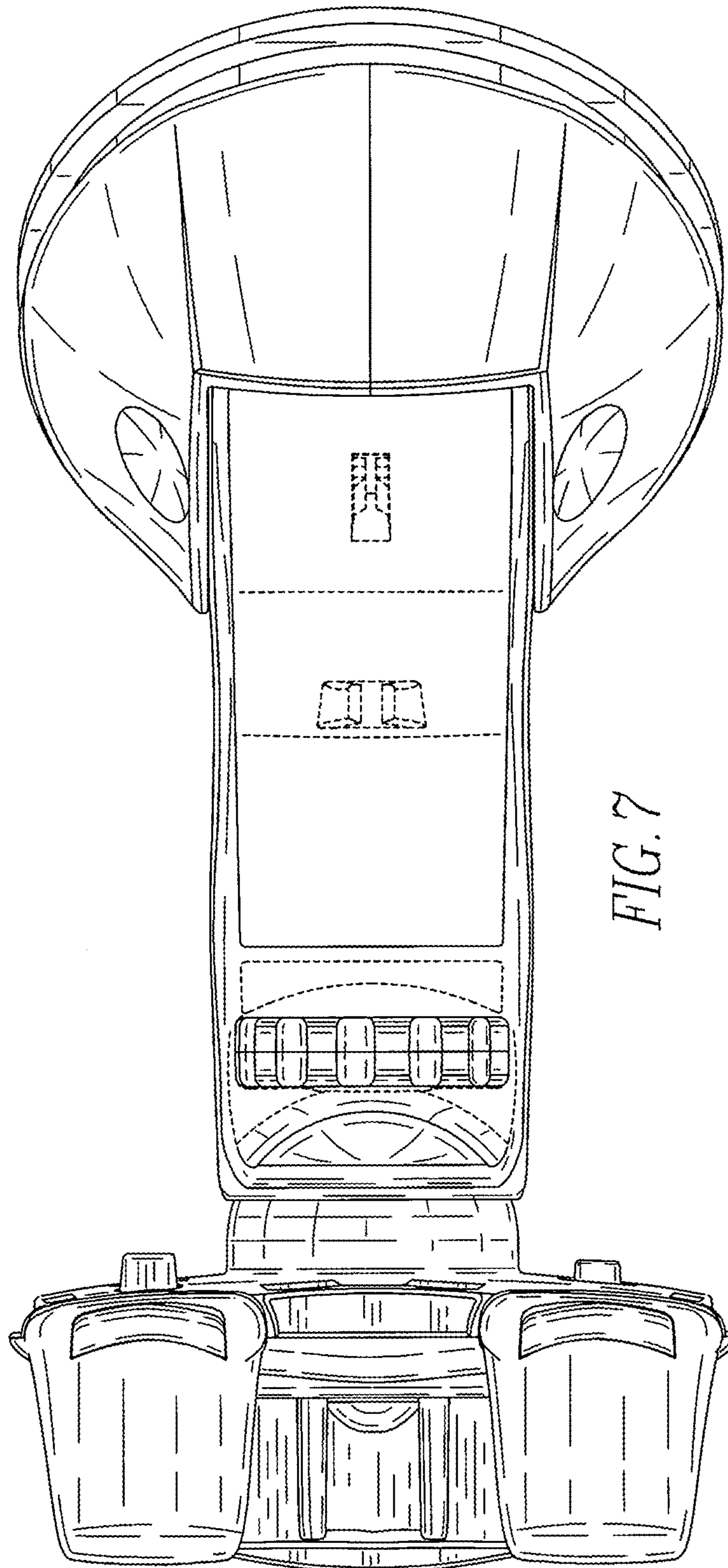


FIG. 7