



US00D811854S

(12) **United States Design Patent** (10) **Patent No.:** **US D811,854 S**  
**Maurer** (45) **Date of Patent:** **\*\* Mar. 6, 2018**

(54) **KNIFE GUIDE** 5,845,404 A 12/1998 Jeffcoat  
D474,702 S \* 5/2003 Levinson ..... D10/74  
(71) Applicant: **Jason Maurer**, Fredericksburg, TX 6,964,100 B1 11/2005 Musland  
(US) 7,487,565 B1 \* 2/2009 Sundling ..... A01M 31/00  
294/153  
(72) Inventor: **Jason Maurer**, Fredericksburg, TX 7,874,235 B2 1/2011 Dittly  
(US) 8,690,647 B1 4/2014 Kitscha  
9,757,146 B2 \* 9/2017 Vodinh ..... A61B 17/3211  
2002/0188309 A1 \* 12/2002 Adelman ..... A61F 9/00781  
606/167

(\*\*) Term: **15 Years**

(21) Appl. No.: **29/578,328**

(22) Filed: **Sep. 20, 2016**

(51) **LOC (11) Cl.** ..... **08-05**

(52) **U.S. Cl.**  
USPC ..... **D8/354**

(58) **Field of Classification Search**  
USPC ..... D8/354; 452/103; D10/74; D22/199  
See application file for complete search history.

(56) **References Cited**

U.S. PATENT DOCUMENTS

525,737 A 9/1894 Foster  
933,626 A \* 9/1909 Coomber ..... B26B 29/02  
30/286  
1,222,366 A \* 4/1917 Curry ..... B26B 29/02  
30/286  
1,299,084 A \* 4/1919 Wilson ..... A22C 21/06  
452/120  
2,906,021 A 9/1959 Cromoga  
3,445,931 A 5/1969 Knudson  
4,290,201 A 9/1981 Goodwin  
4,601,102 A 7/1986 Phillips  
4,707,920 A 11/1987 Montgomery  
4,763,416 A 8/1988 Copeland  
4,821,416 A 4/1989 Dullinger  
4,841,640 A 6/1989 Daniels  
4,937,941 A 7/1990 Crist  
5,127,162 A 7/1992 Mansfield  
5,386,635 A \* 2/1995 Sheba ..... B26B 3/06  
30/286  
5,581,895 A 12/1996 Jeffcoat

\* cited by examiner

*Primary Examiner* — Lakiya G Rogers  
*Assistant Examiner* — Harold E Blackwell, II  
(74) *Attorney, Agent, or Firm* — Buche & Associates,  
P.C.; John K. Buche; Scott D. Compton

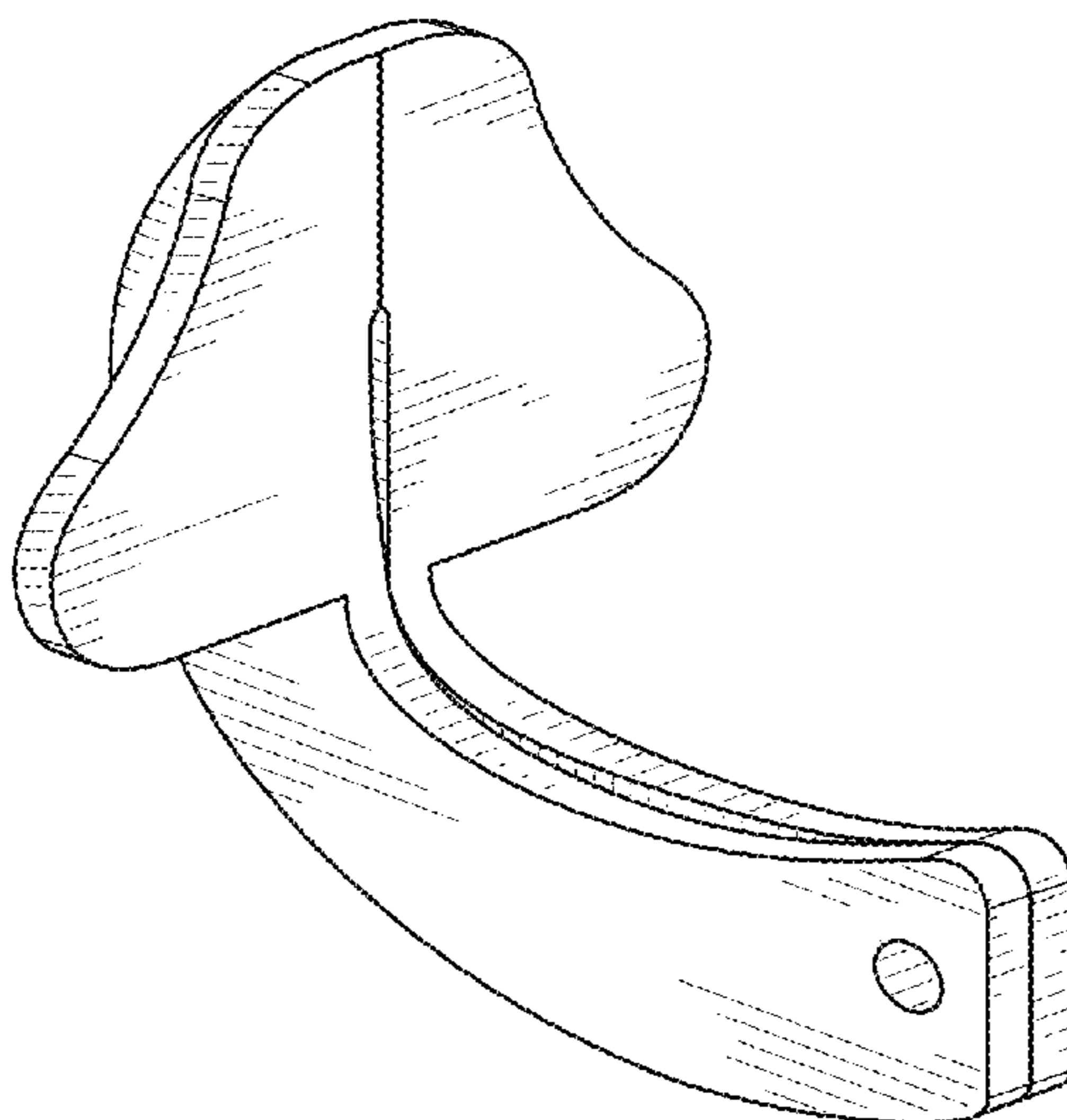
(57) **CLAIM**

The ornamental design for a knife guide, as shown and described.

**DESCRIPTION**

FIG. 1 is a perspective view of a knife guide showing my new design;  
FIG. 2 is a back view thereof;  
FIG. 3 is a front view thereof;  
FIG. 4 is a right side view thereof;  
FIG. 5 is a left side view thereof;  
FIG. 6 is a top view thereof;  
FIG. 7 is a bottom view thereof; and,  
FIG. 8 is a perspective view of the knife guide in its environment.  
The ornamental design which is claimed is shown in solid lines in the drawings. The broken lines in the drawings depict environmental structure and form no part of the claimed design.

**1 Claim, 4 Drawing Sheets**



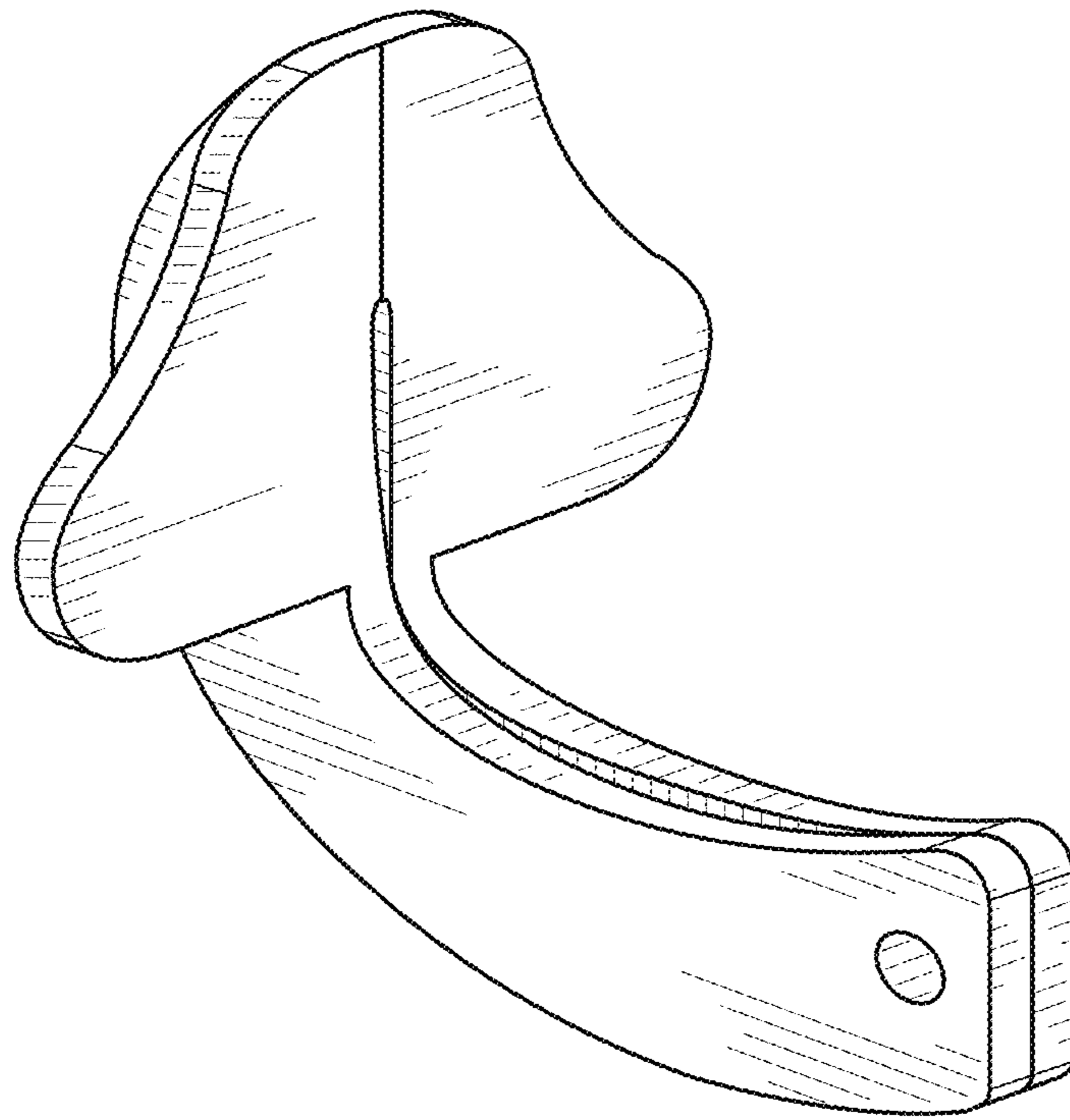


FIG. 1

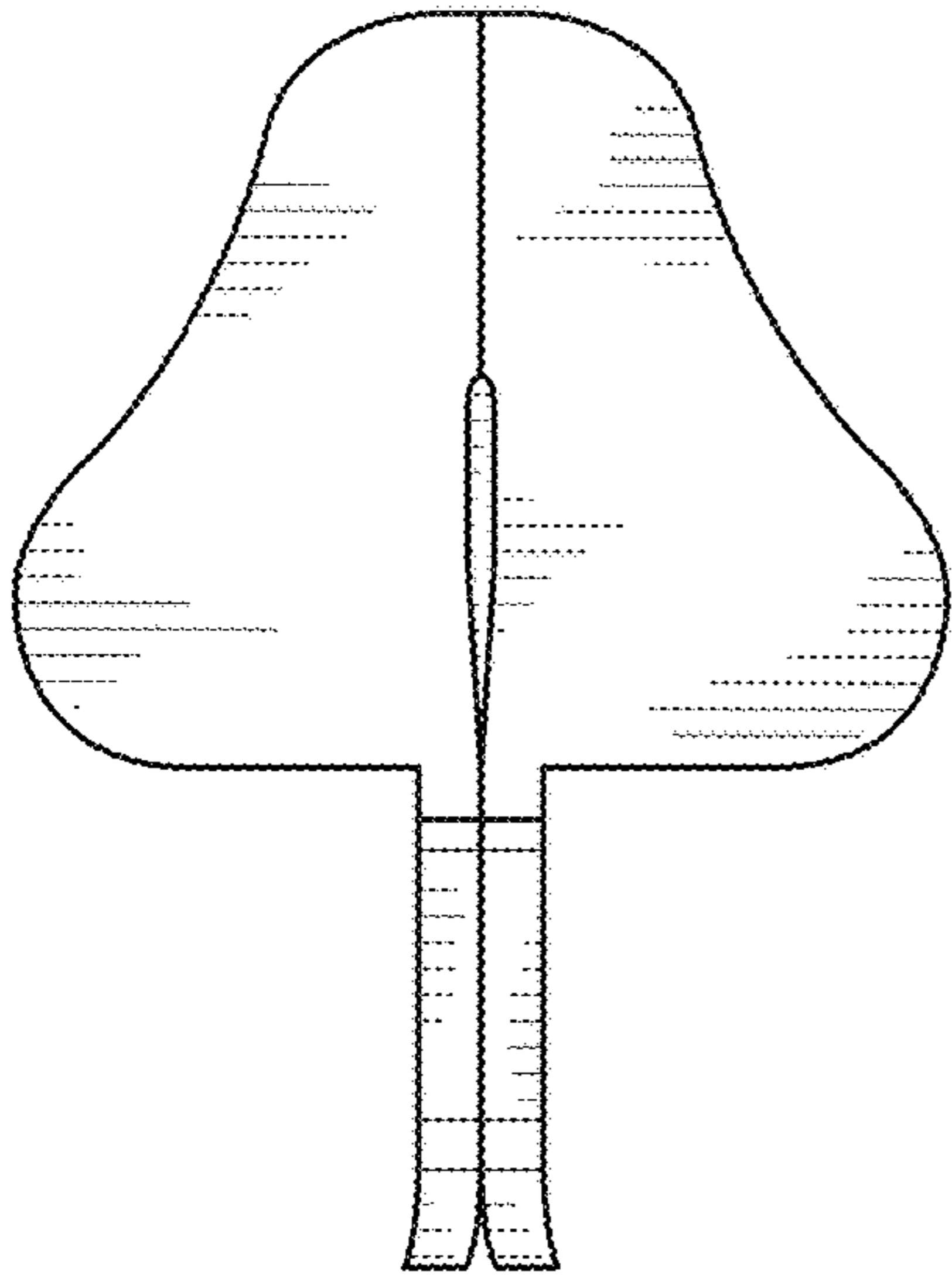


FIG. 2

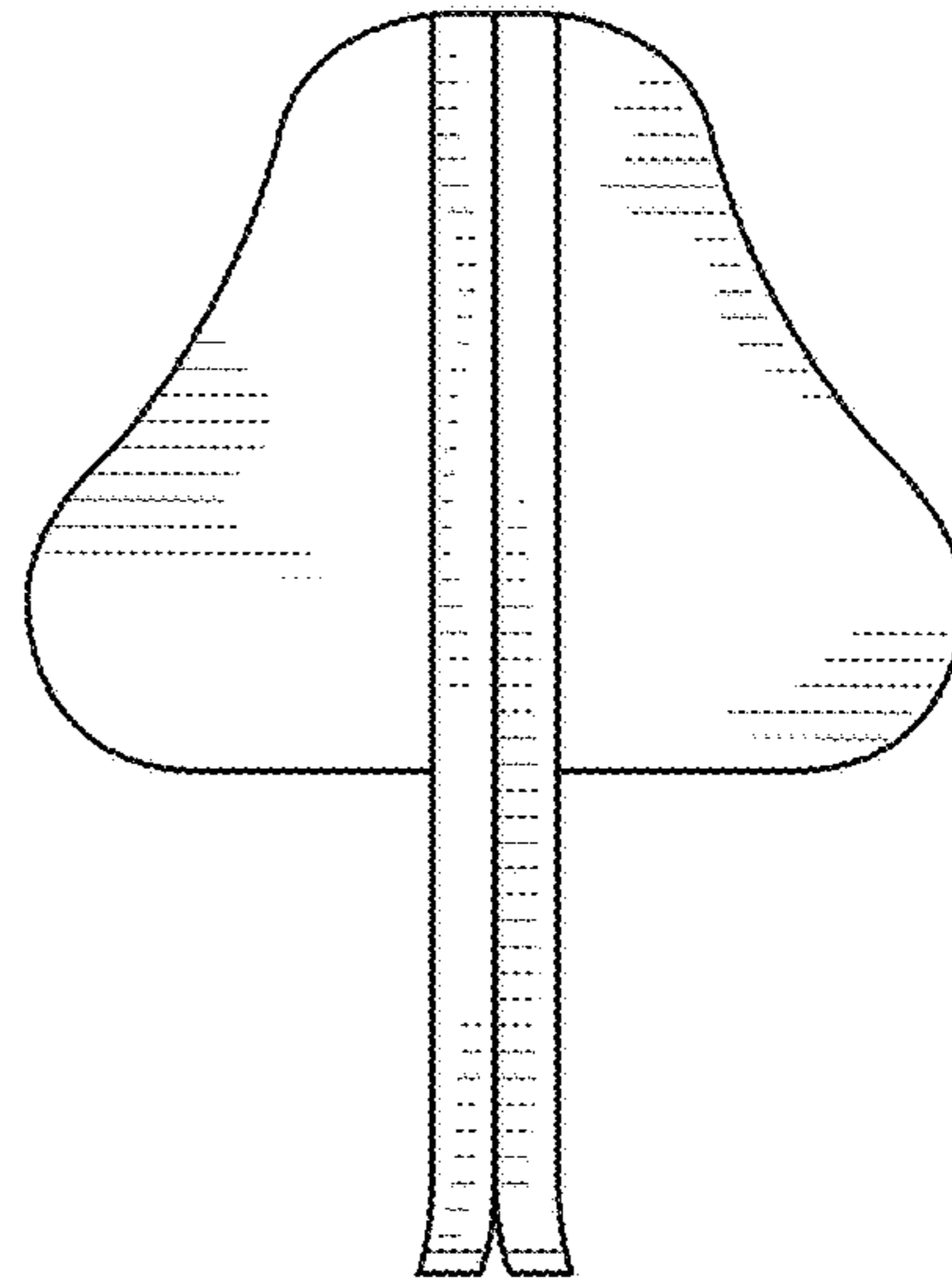


FIG. 3

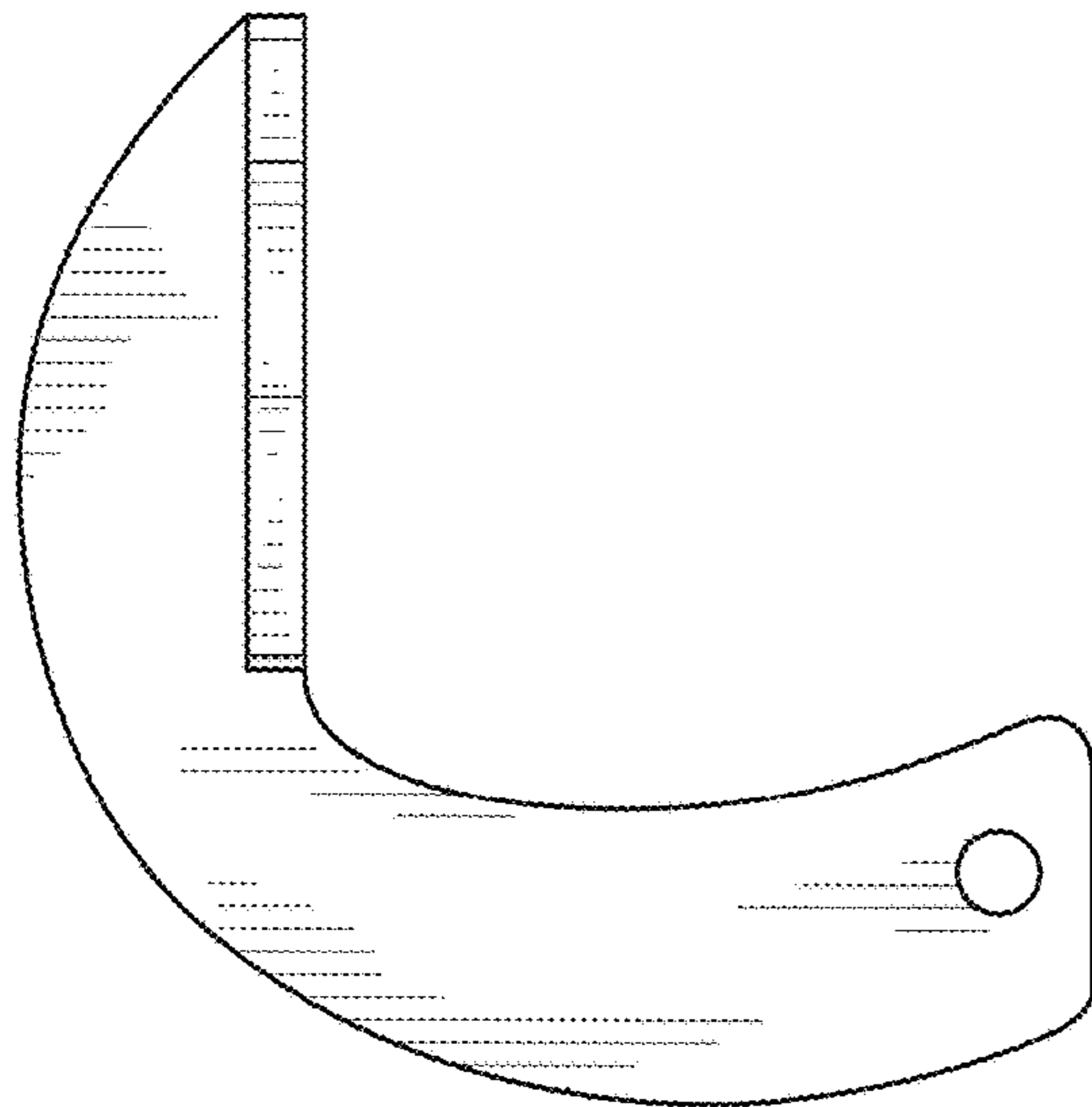


FIG. 4

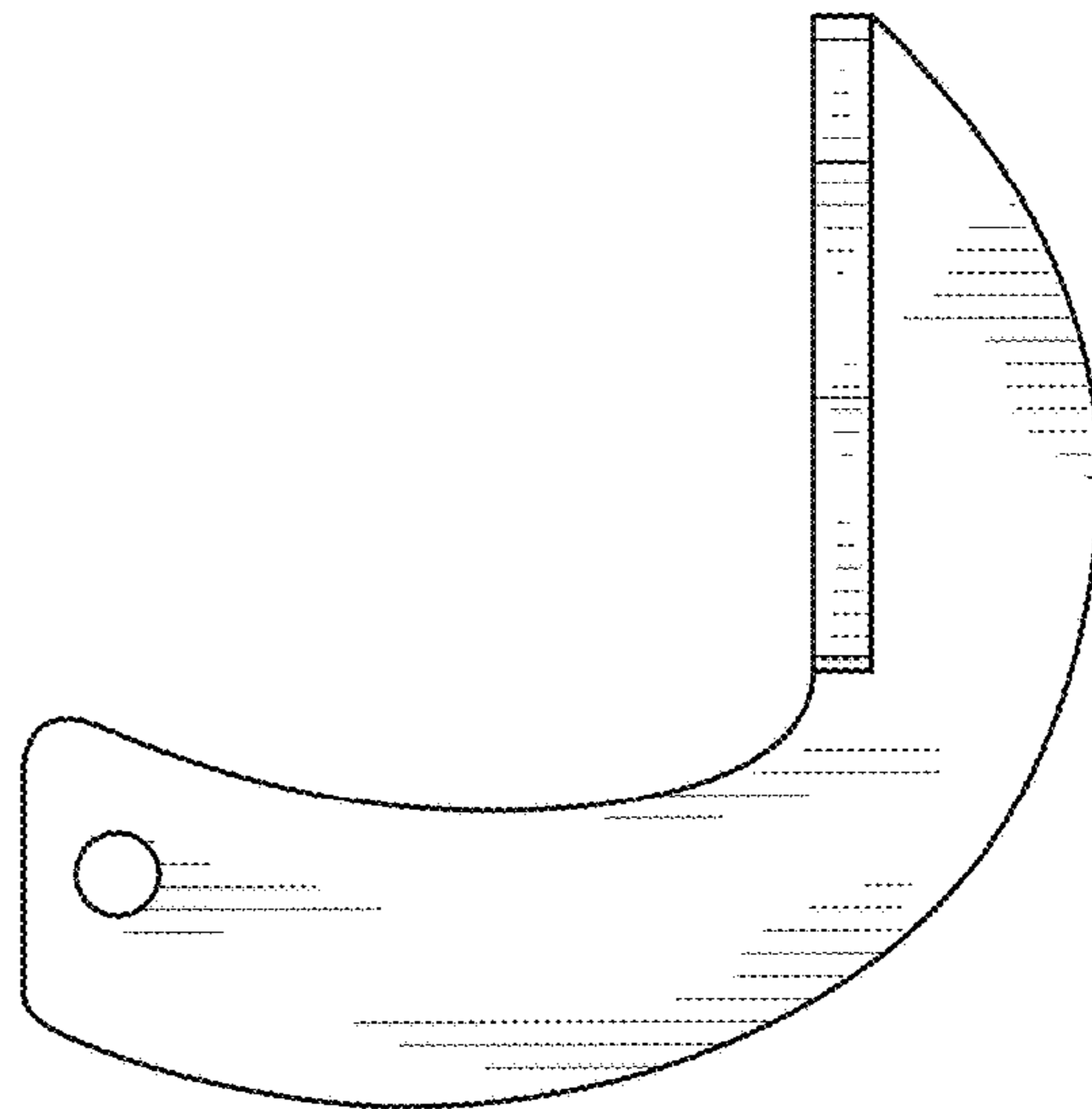


FIG. 5

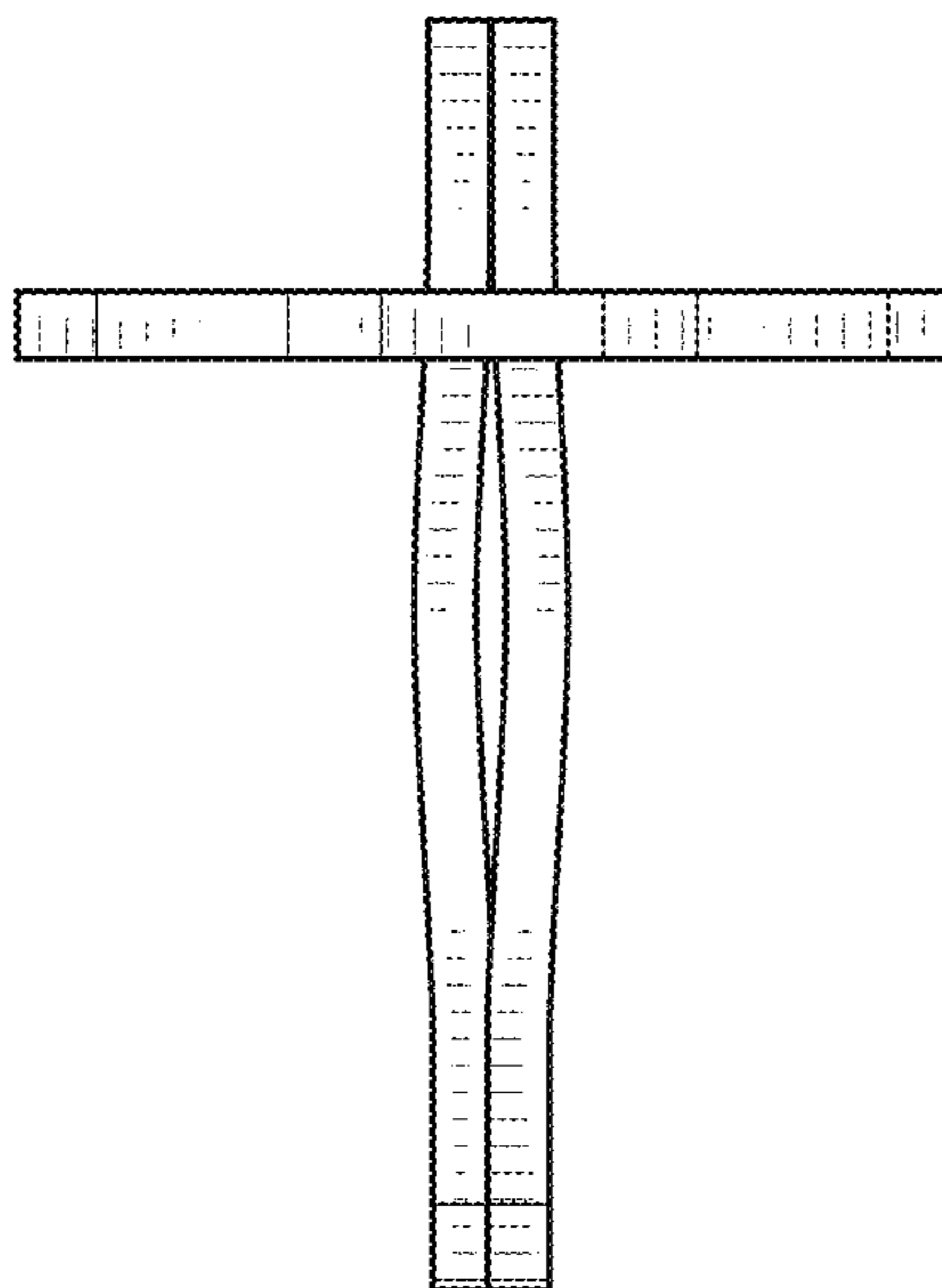


FIG. 6

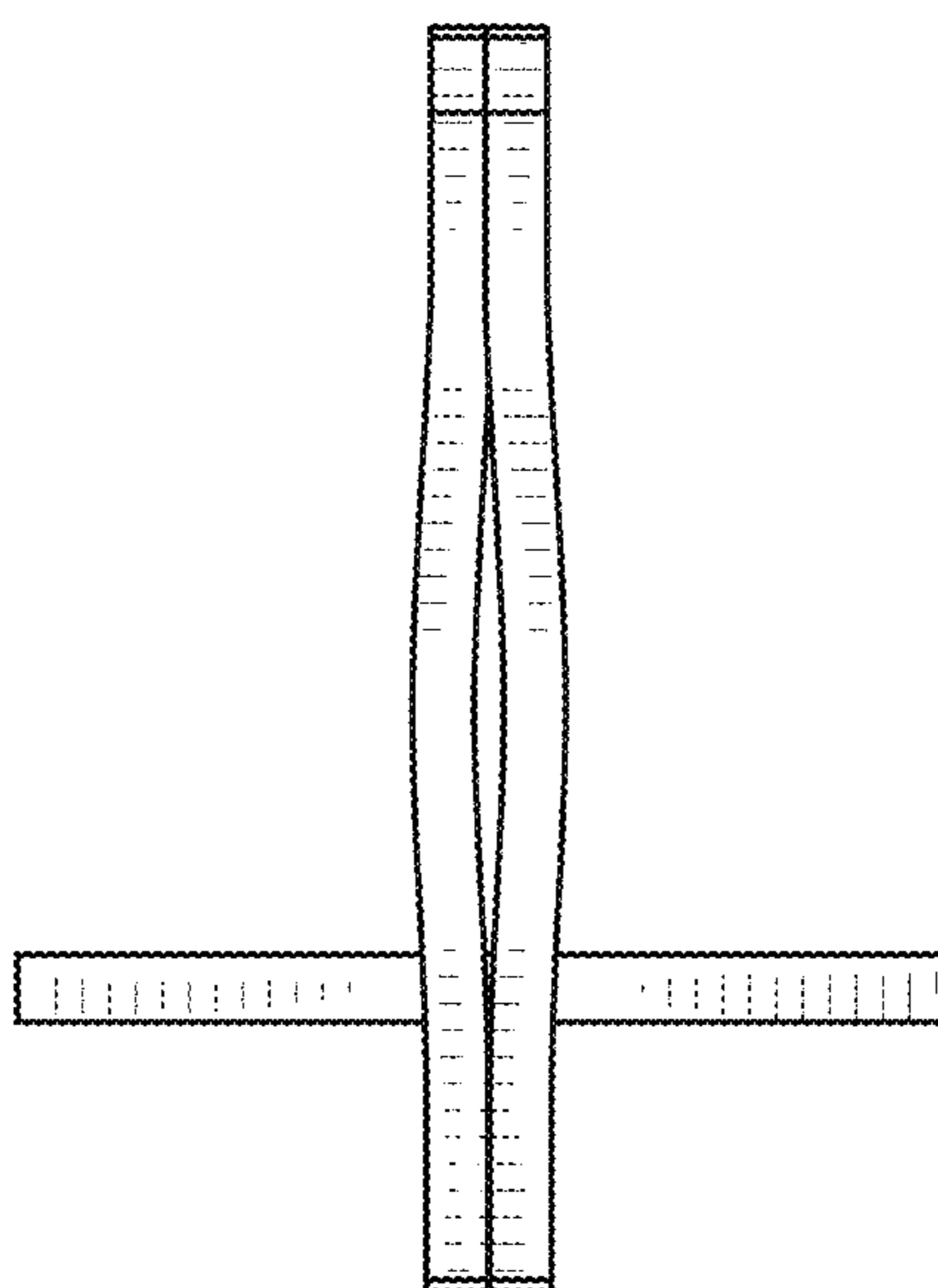


FIG. 7

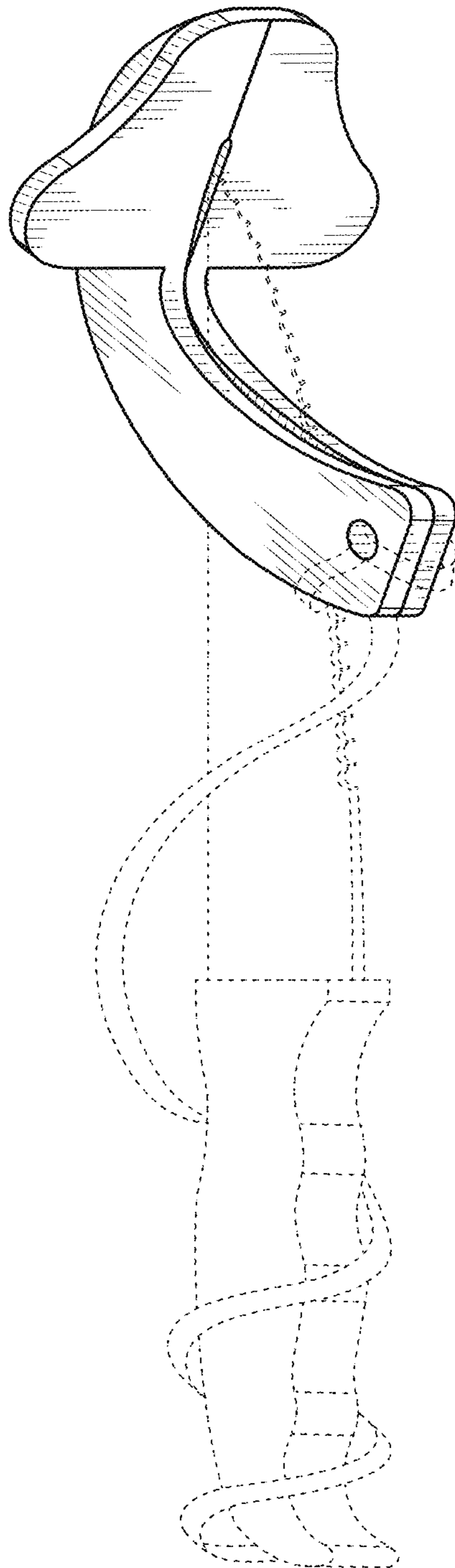


FIG. 8