



US00D811853S

(12) **United States Design Patent**
Foley et al.

(10) **Patent No.:** **US D811,853 S**
(45) **Date of Patent:** **** Mar. 6, 2018**

(54) **ADAPTOR FOR CONNECTING A WALL
BRACE SHOE TO A GROUND ANCHOR**

(71) Applicant: **Connect-EZ, LLC**, Harveysburg, OH
(US)

(72) Inventors: **Robert P. Foley**, Dayton, OH (US);
Terry J. Tincher, Oregonia, OH (US)

(73) Assignee: **Connect-EZ, LLC**, Harveysburg, OH
(US)

(**) Term: **15 Years**

(21) Appl. No.: **29/553,033**

(22) Filed: **Jan. 28, 2016**

(51) **LOC (11) Cl.** **08-05**

(52) **U.S. Cl.**
USPC **D8/354**

(58) **Field of Classification Search**
USPC D8/71, 349, 354, 373, 380, 382, 384,
D8/385, 499; D25/68, 69, 133, 199;
D6/709, 708.16, 712
CPC . E04B 1/02; E04B 1/043; E04B 1/161; E04B
1/40; E04B 1/41; E04B 5/023; E04B
1/7637; E04B 1/4114; E04B 1/215; E02D
5/523

See application file for complete search history.

(56) **References Cited**

U.S. PATENT DOCUMENTS

- 3,334,455 A 8/1967 Russell
- 3,831,329 A * 8/1974 Lear E04F 15/02458
248/354.3
- 4,337,917 A * 7/1982 Tesack B67D 7/50
141/392
- 4,882,887 A * 11/1989 Giles E04B 1/34352
248/228.1
- D312,771 S * 12/1990 Pelletier D8/363

- D354,432 S * 1/1995 Starman D8/382
- D374,089 S * 9/1996 Meadows D25/68
- 5,603,187 A * 2/1997 Merrin E04D 13/12
248/237
- 5,609,005 A 3/1997 Schierloh et al.
- D378,986 S 4/1997 Darula
- D425,402 S * 5/2000 Welborn D8/354
- 6,347,489 B1 * 2/2002 Marshall, Jr. E02D 27/00
248/354.5
- D469,342 S * 1/2003 Metzentine D8/373
- D473,775 S * 4/2003 Janiszewski D8/71
- D474,284 S * 5/2003 Spencer D25/68
- D576,472 S 9/2008 Gaiardo
- D598,734 S 8/2009 Miranda et al.
- D601,878 S * 10/2009 Funk D8/349
- 7,726,091 B2 6/2010 Frohlich et al.
- D624,764 S * 10/2010 Gates D6/381

(Continued)

Primary Examiner — Sandra Snapp

Assistant Examiner — Ieisha Price

(74) *Attorney, Agent, or Firm* — Jacox, Meckstroth &
Jenkins

(57) **CLAIM**

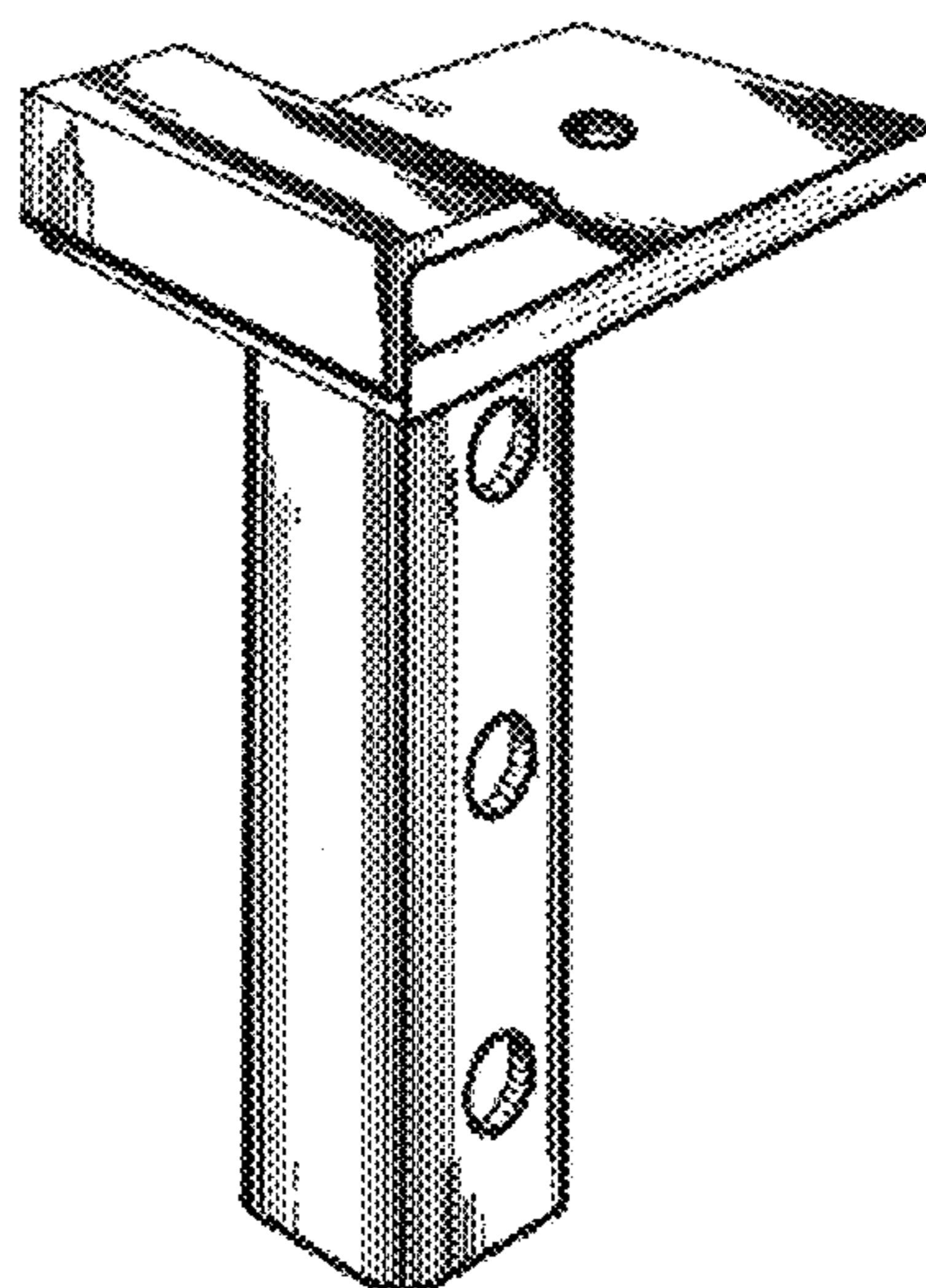
The ornamental design for an adaptor for connecting a wall
brace shoe to a ground anchor, as shown and described.

DESCRIPTION

FIG. 1 is a perspective view of an adaptor for connecting a
wall brace shoe to a ground anchor showing our new design;
FIG. 2 is a top view thereof;
FIG. 3 is an end view thereof;
FIG. 4 is an opposite end view thereof;
FIG. 5 is a bottom view thereof; and,
FIG. 6 is a side view, the opposite side view being a mirror
image.

The broken lines in the drawings illustrate portions of the
adaptor for connecting a wall brace shoe to a ground anchor
and form no part of the claimed design.

1 Claim, 1 Drawing Sheet



(56)

References Cited

U.S. PATENT DOCUMENTS

8,136,311 B2 * 3/2012 Liu F24J 2/5203
411/374
D666,078 S 8/2012 Foley et al.
D672,221 S 12/2012 Tincher
D680,618 S * 4/2013 Hoover D23/217
D691,406 S * 10/2013 Pearsons D6/709
D701,329 S * 3/2014 Tiner D13/199
D720,170 S * 12/2014 Korte D6/709
D737,670 S 9/2015 Beyerle et al.
D780,557 S * 3/2017 Foley D8/354
D782,747 S * 3/2017 Kalesnikoff D30/119
D793,848 S * 8/2017 Charette D8/354
D794,420 S * 8/2017 Emmons D8/349
2007/0125036 A1 * 6/2007 Schloemer E04B 1/762
52/698
2013/0031857 A1 * 2/2013 Tincher E04B 1/4114
52/274
2014/0318072 A1 * 10/2014 Lee E04B 1/4107
52/699

* cited by examiner

FIG. 1

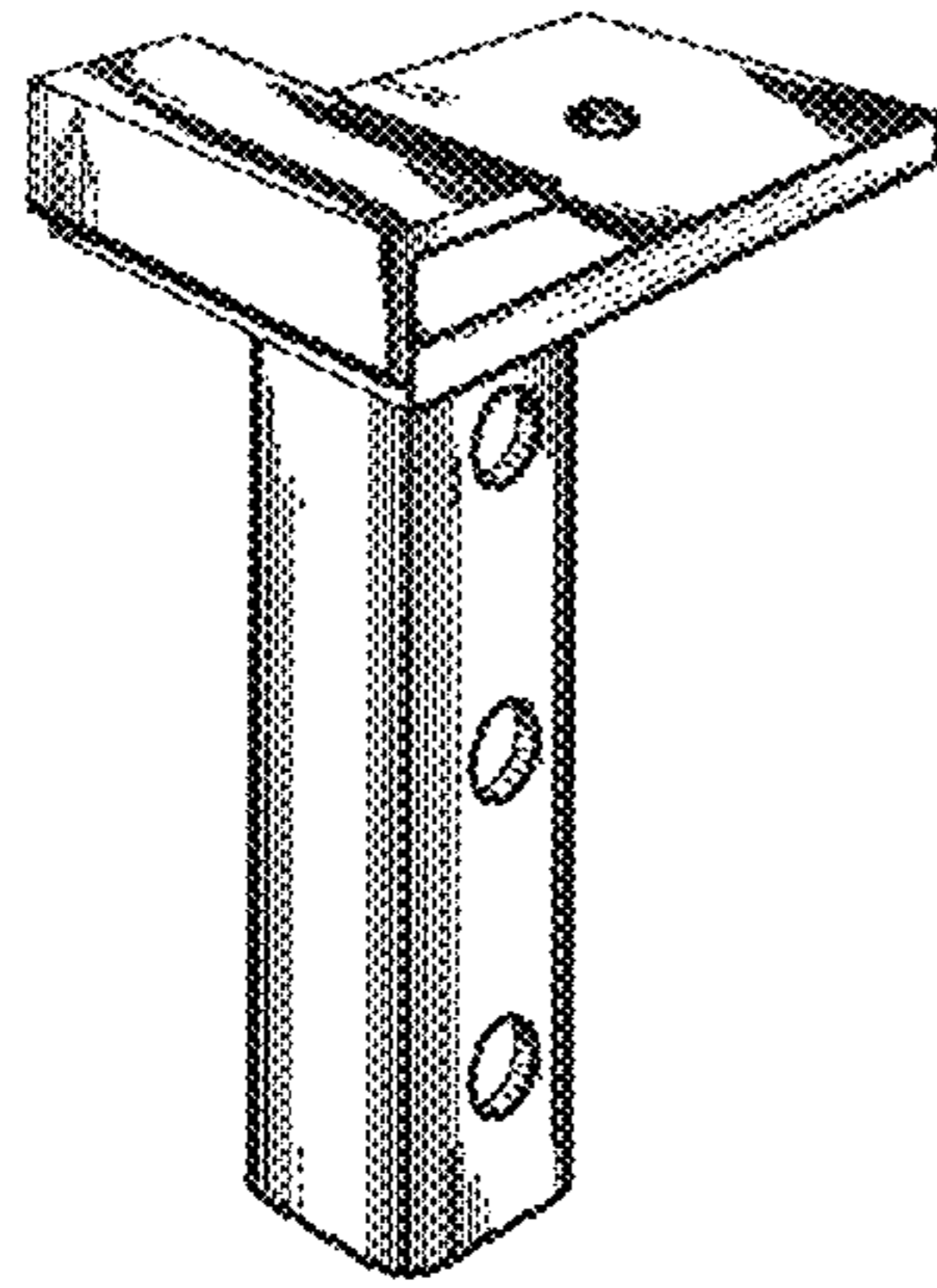


FIG. 2

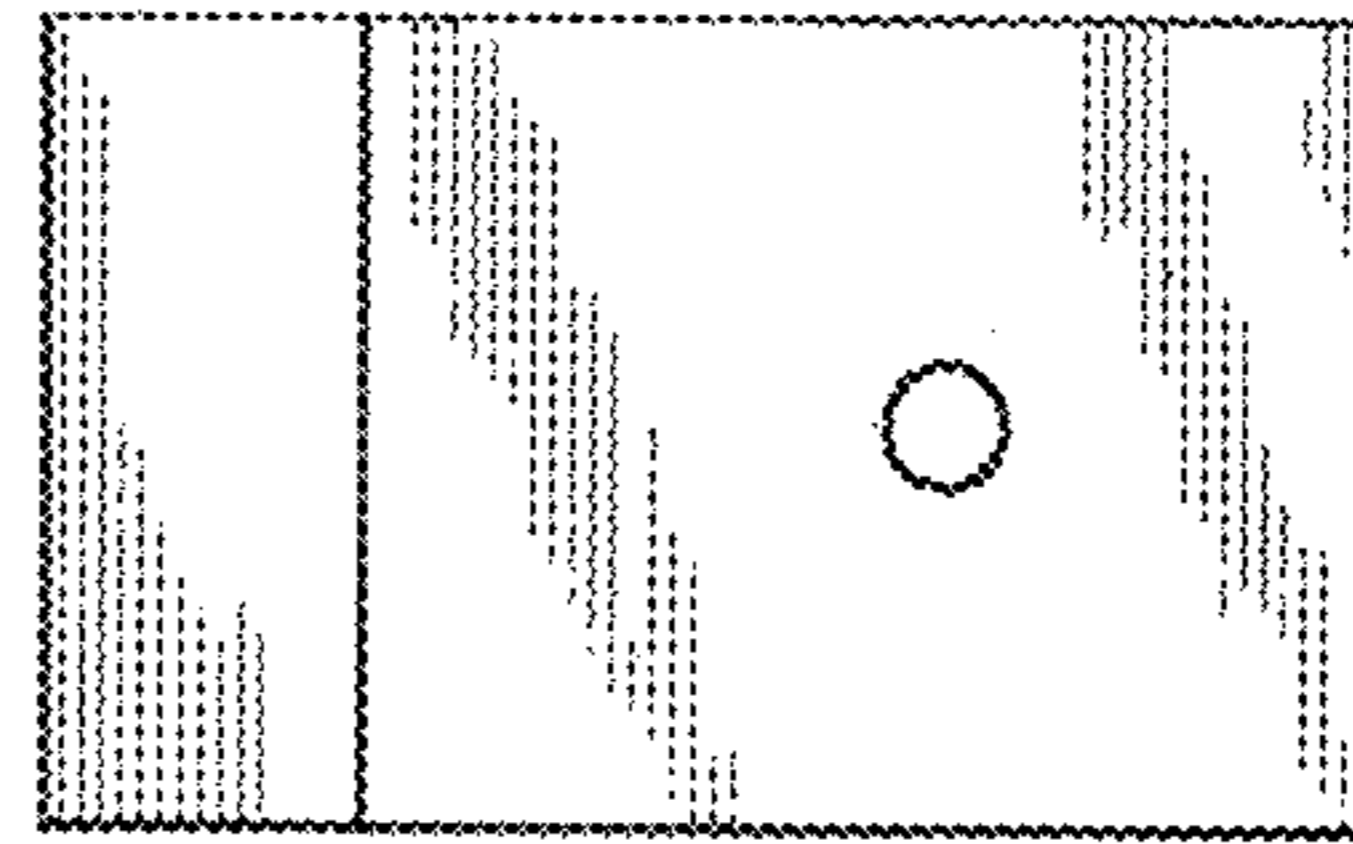


FIG. 4

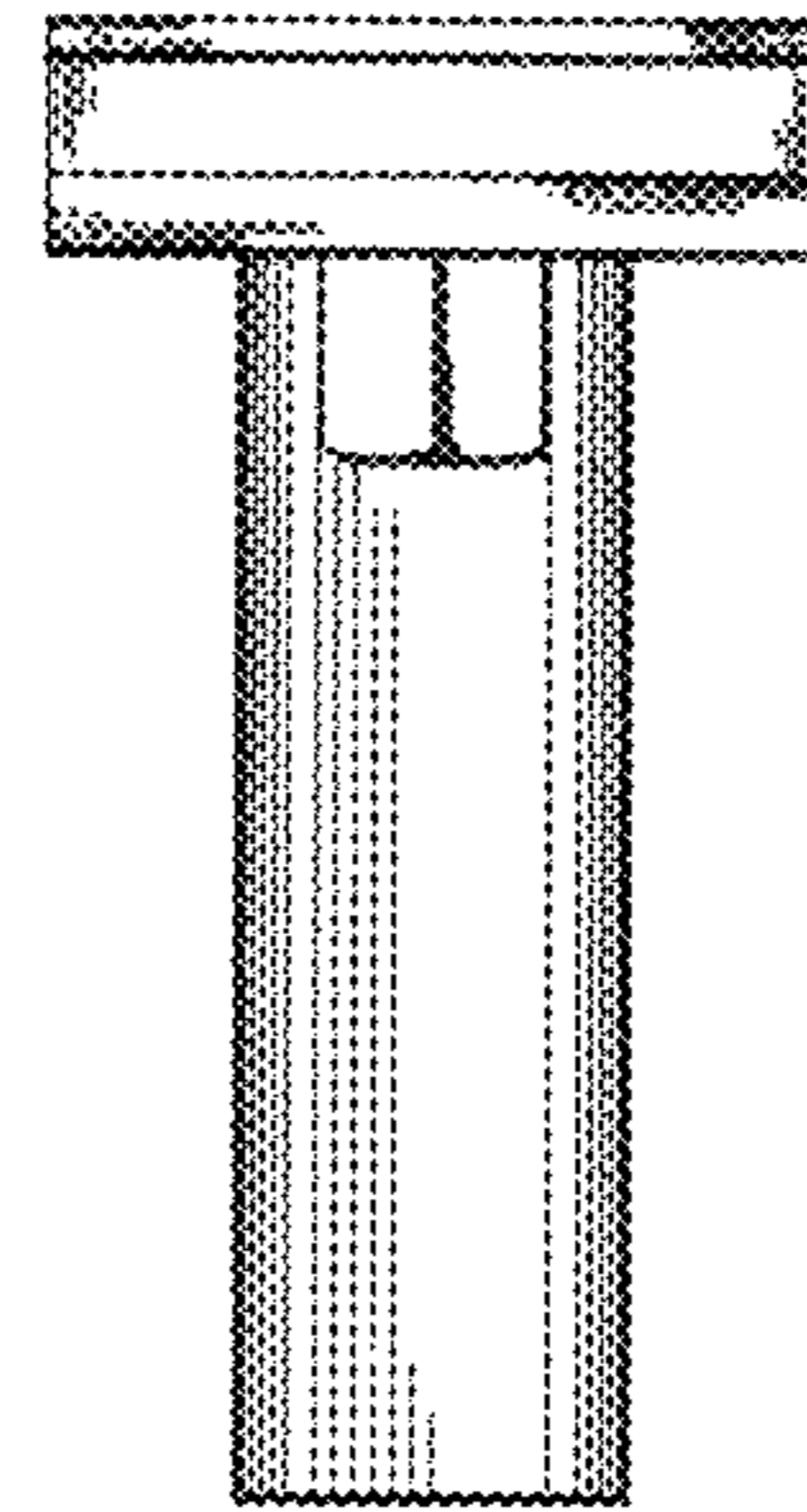


FIG. 3

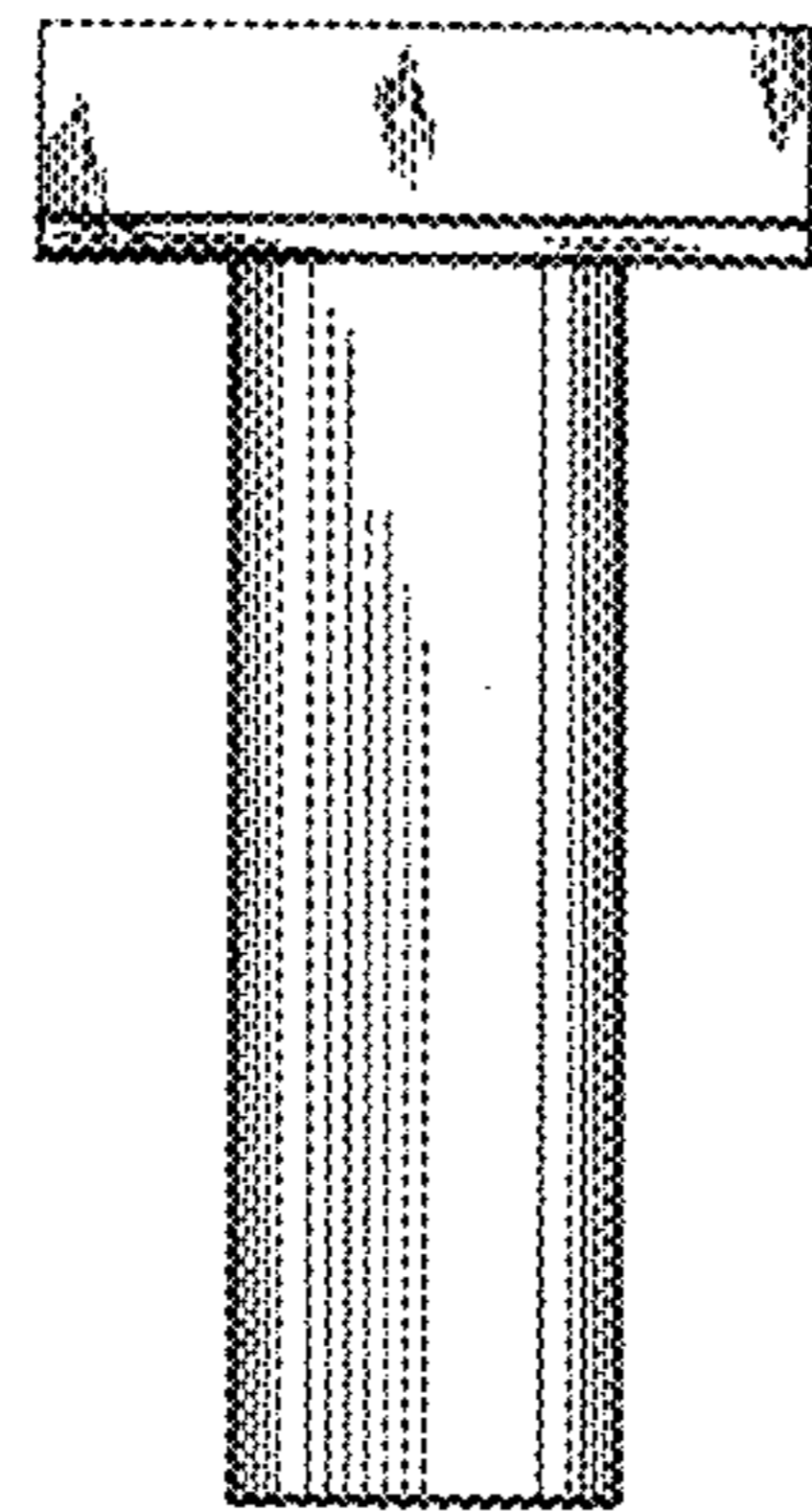


FIG. 6

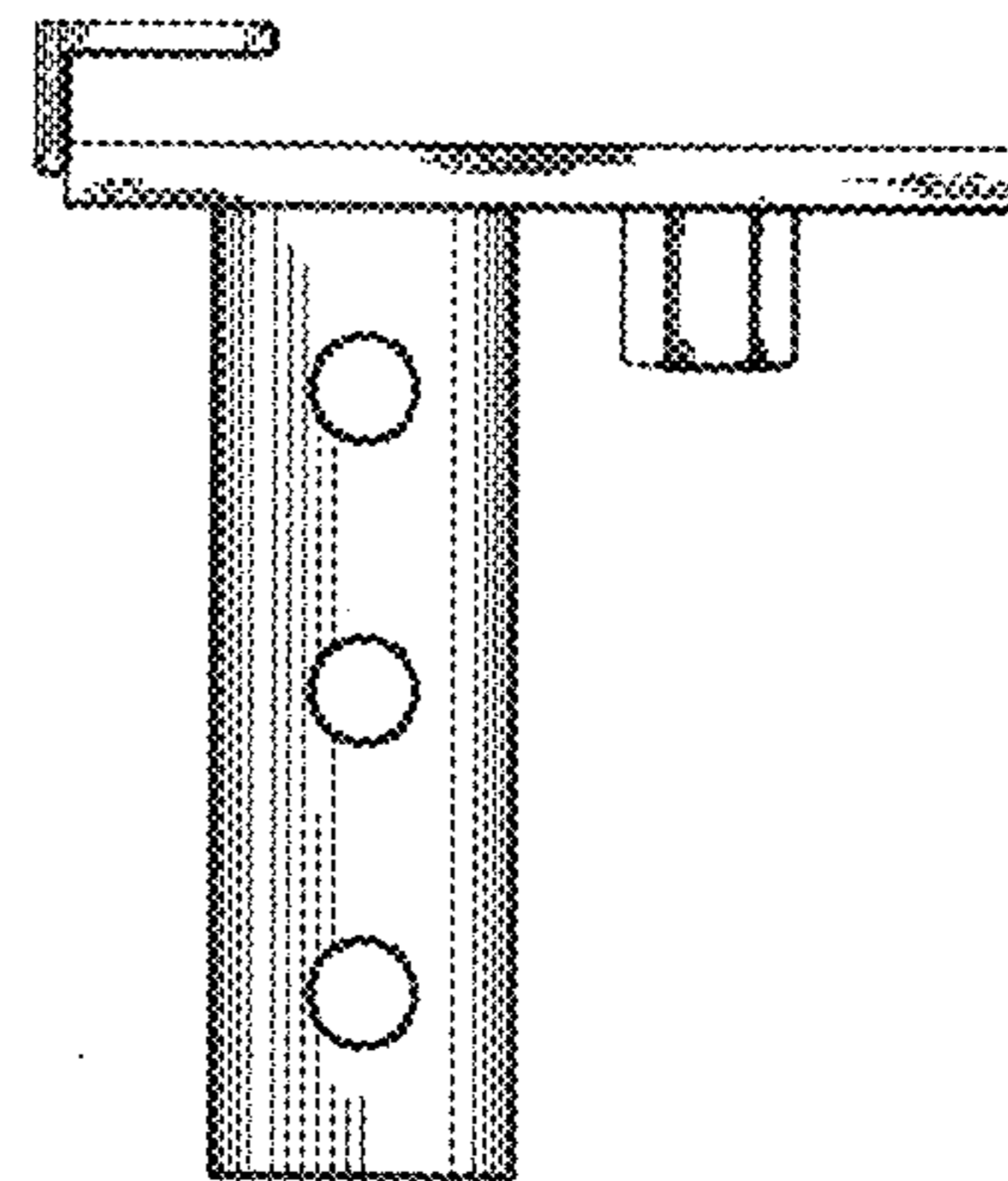


FIG. 5

