



US00D811852S

(12) **United States Design Patent**
Xin

(10) **Patent No.:** **US D811,852 S**

(45) **Date of Patent:** **** Mar. 6, 2018**

(54) **SMART LOCK**

(71) Applicant: **BEIJING JIALAN TECHNOLOGY CO., LTD.**, Beijing (CN)

(72) Inventor: **Mingjiang Xin**, Shanghai (CN)

(73) Assignee: **BEIJING JIALAN TECHNOLOGY CO., LTD.**, Beijing (CN)

(**) Term: **15 Years**

(21) Appl. No.: **29/599,843**

(22) Filed: **Apr. 7, 2017**

(51) **LOC (11) Cl.** **08-07**

(52) **U.S. Cl.**
USPC **D8/331; D8/330**

(58) **Field of Classification Search**
USPC D8/330, 331, 334, 300, 301; 70/14,
70/20-22, 57, 57.1, 284-286, 314,
70/DIG. 44
CPC E05B 47/00; E05B 47/0692; E05B 63/044;
E05B 15/02; H01H 9/00
See application file for complete search history.

(56) **References Cited**

U.S. PATENT DOCUMENTS

5,475,996 A * 12/1995 Chen E05B 47/0692
70/218
5,987,945 A * 11/1999 Ruano Aramburu
E05B 47/0692
70/107

6,145,353 A * 11/2000 Doucet E05B 47/0692
70/149
6,733,050 B1 * 5/2004 Yao E05B 63/044
292/137
6,758,070 B2 * 7/2004 Yu E05B 47/068
292/144
D495,943 S * 9/2004 Hentschel D8/330
D502,859 S * 3/2005 Peng D8/331
D512,899 S * 12/2005 Oskamp D8/331
D581,246 S * 11/2008 Conway D8/330
D607,303 S * 1/2010 Kim D8/331
D673,025 S * 12/2012 Genord D8/331
D752,946 S * 4/2016 Shen D8/330

* cited by examiner

Primary Examiner — Prabhakar Deshmukh

(74) *Attorney, Agent, or Firm* — Tianchen LLC

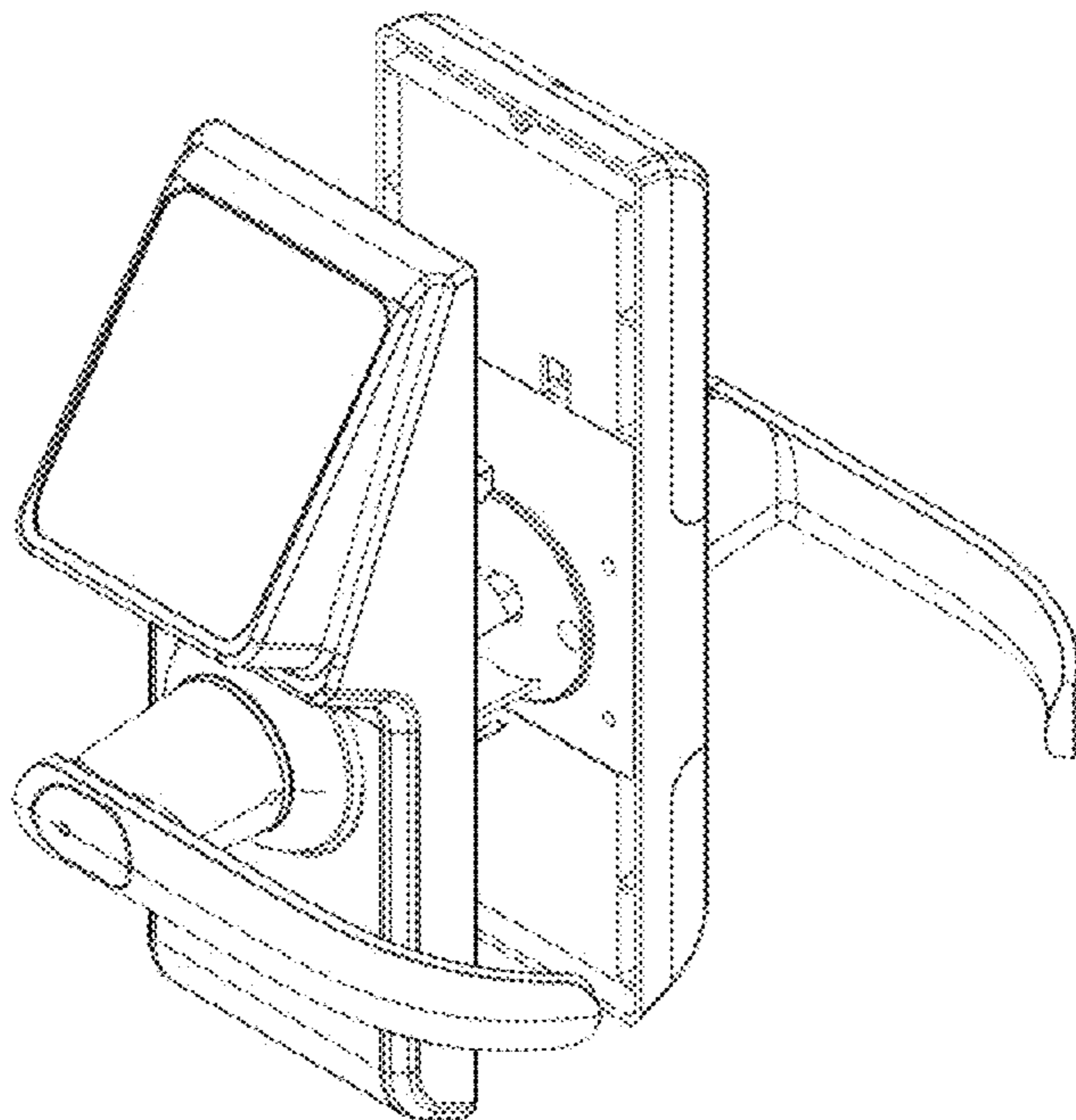
(57) **CLAIM**

The ornamental design for a smart lock, as shown and described.

DESCRIPTION

FIG. 1 is a perspective view of the smart lock;
FIG. 2 is a front view of the smart lock shown in FIG. 1;
FIG. 3 is a rear view of the smart lock shown in FIG. 1;
FIG. 4 is a left view of the smart lock shown in FIG. 1;
FIG. 5 is a right view of the smart lock shown in FIG. 1;
FIG. 6 is a top view of the smart lock shown in FIG. 1; and,
FIG. 7 is a bottom view of the smart lock shown in FIG. 1.

1 Claim, 7 Drawing Sheets



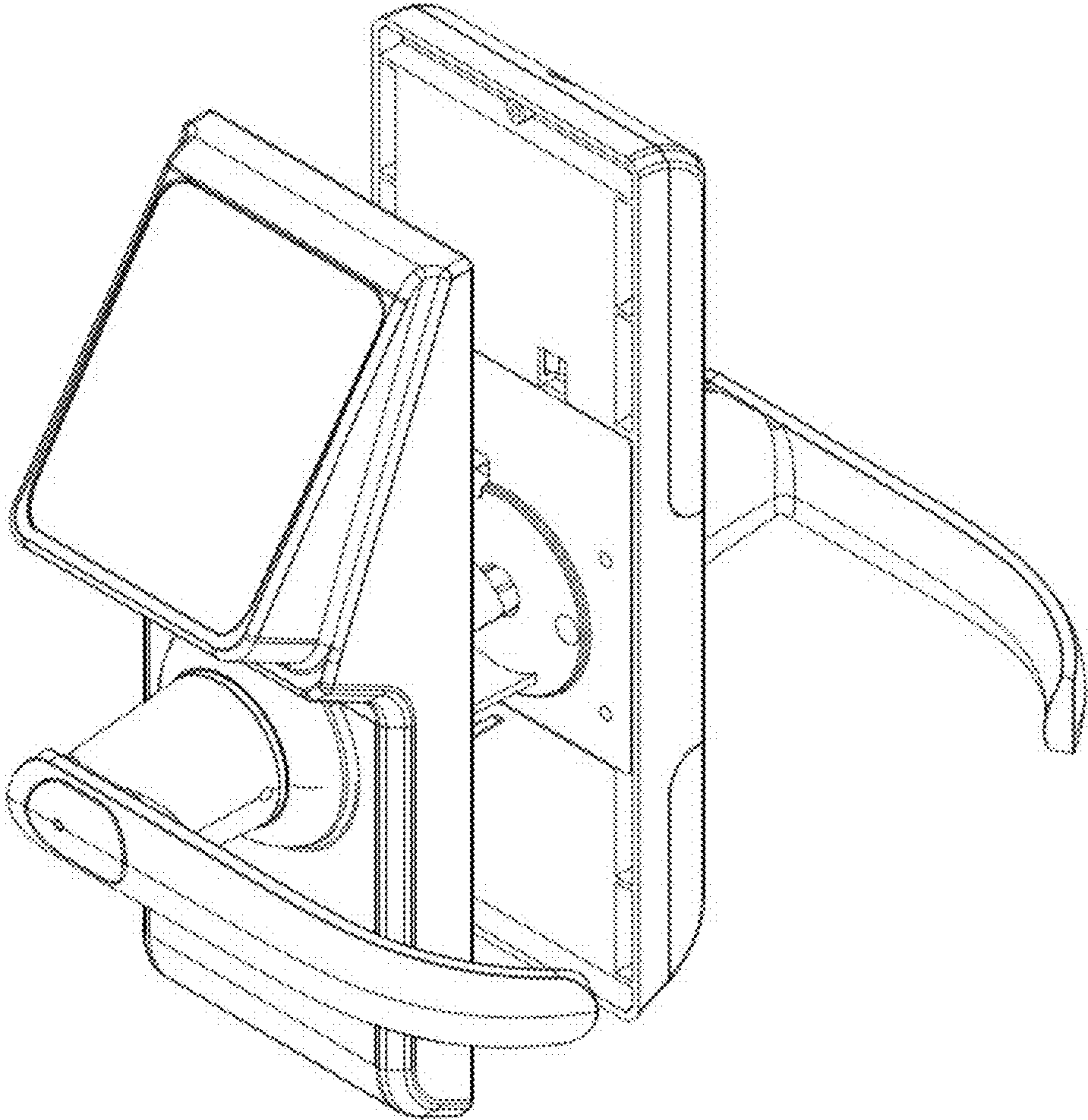


FIG.1

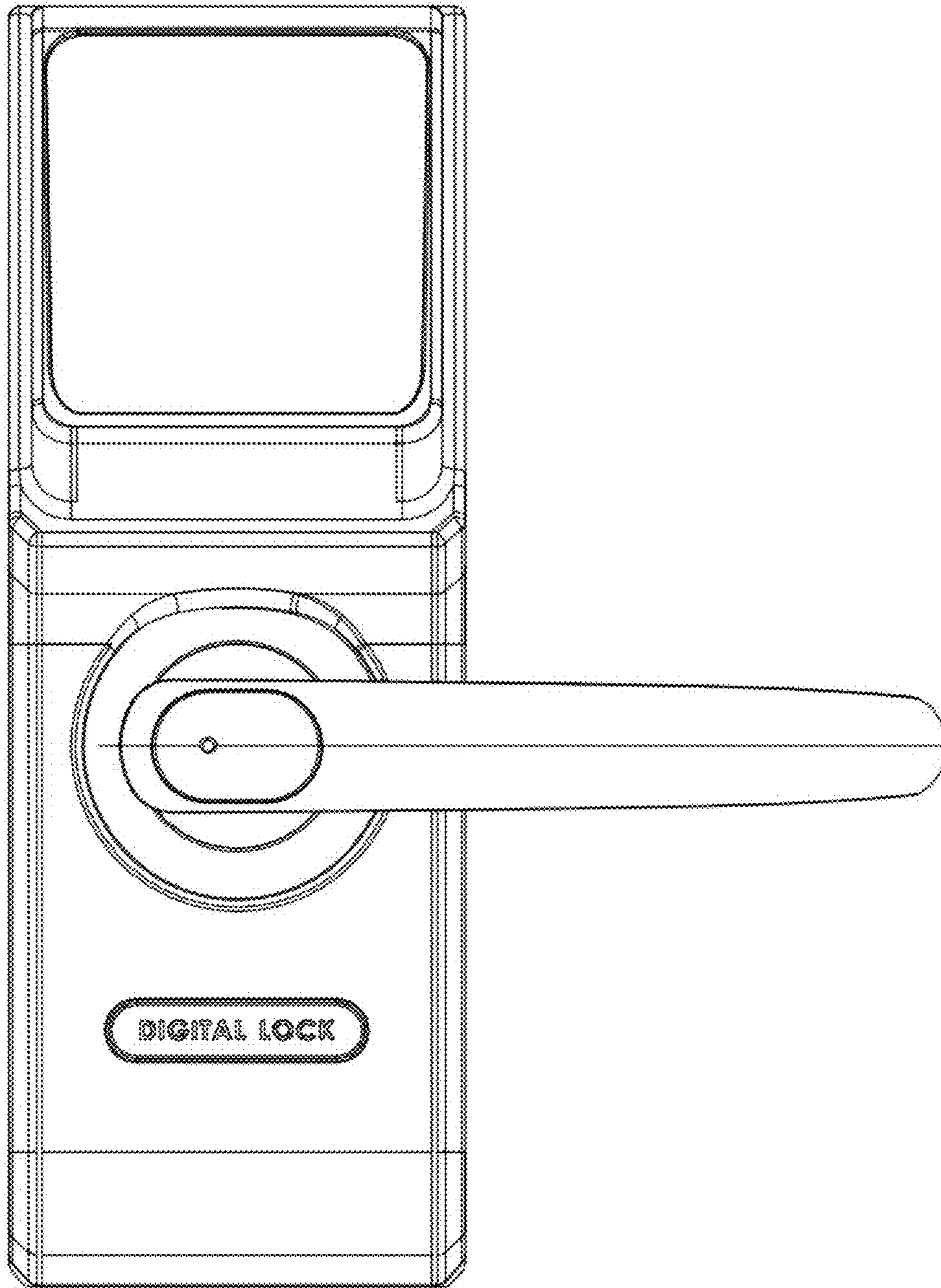


FIG.2

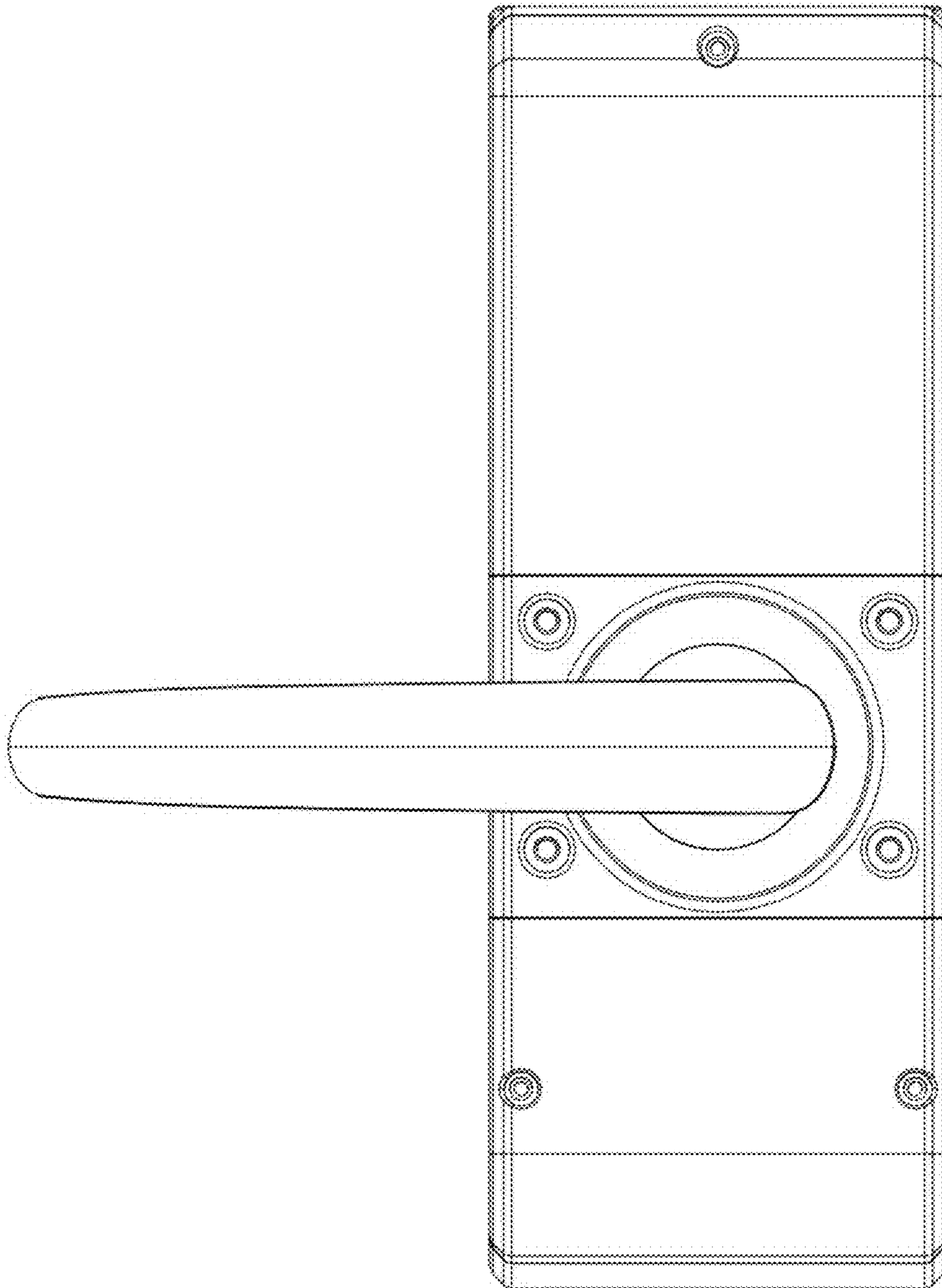


FIG.3

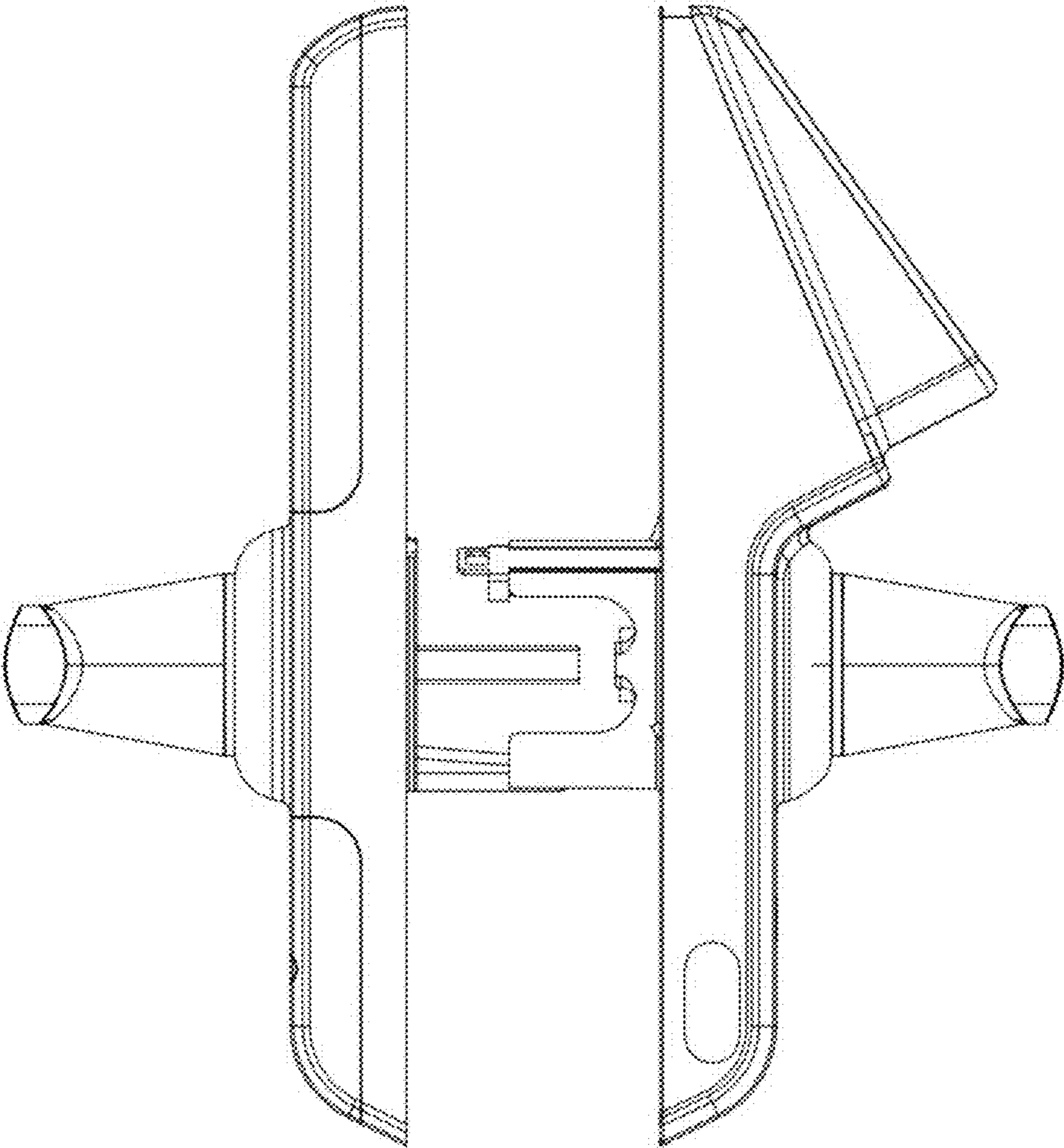


FIG.4

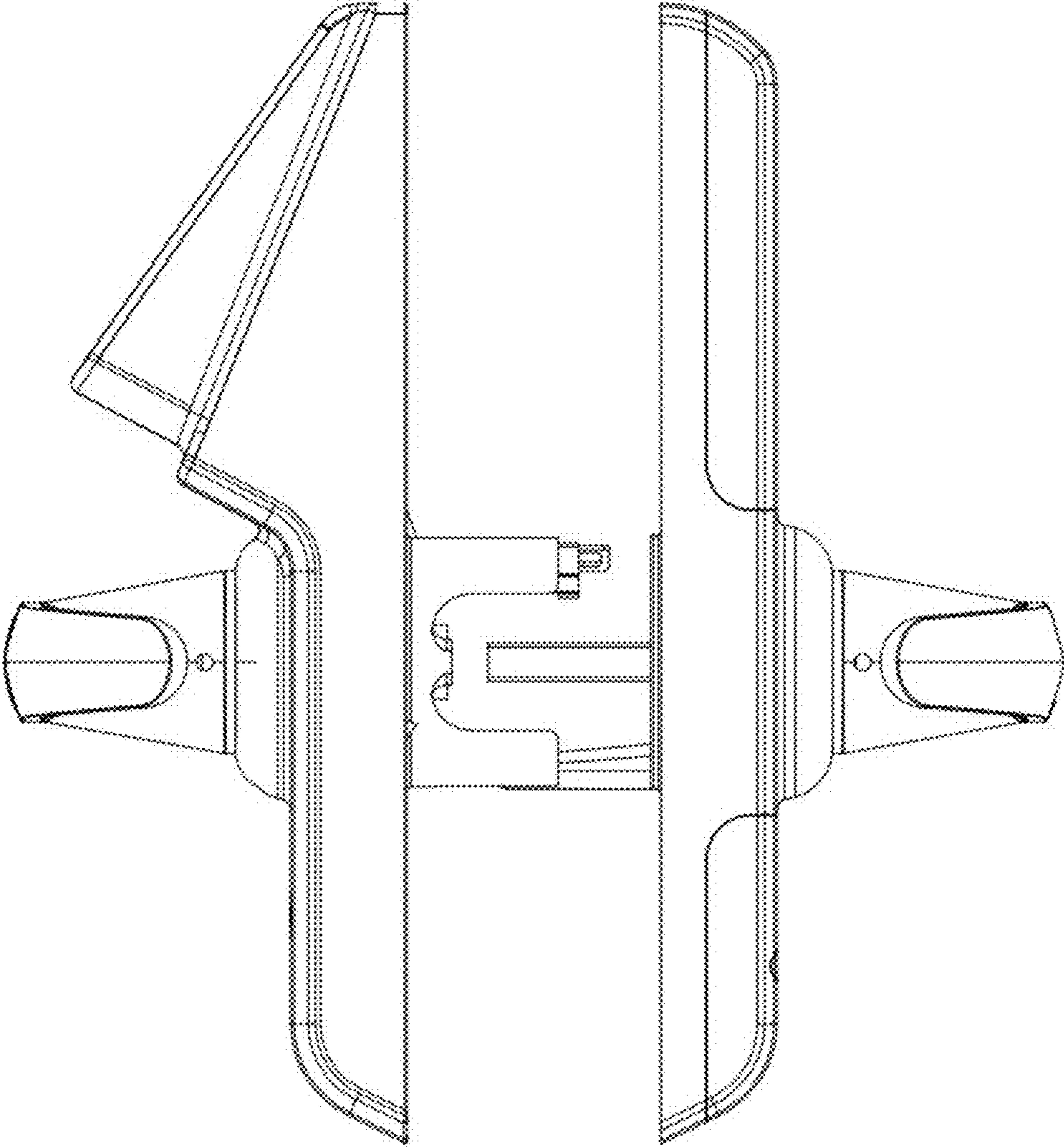


FIG.5

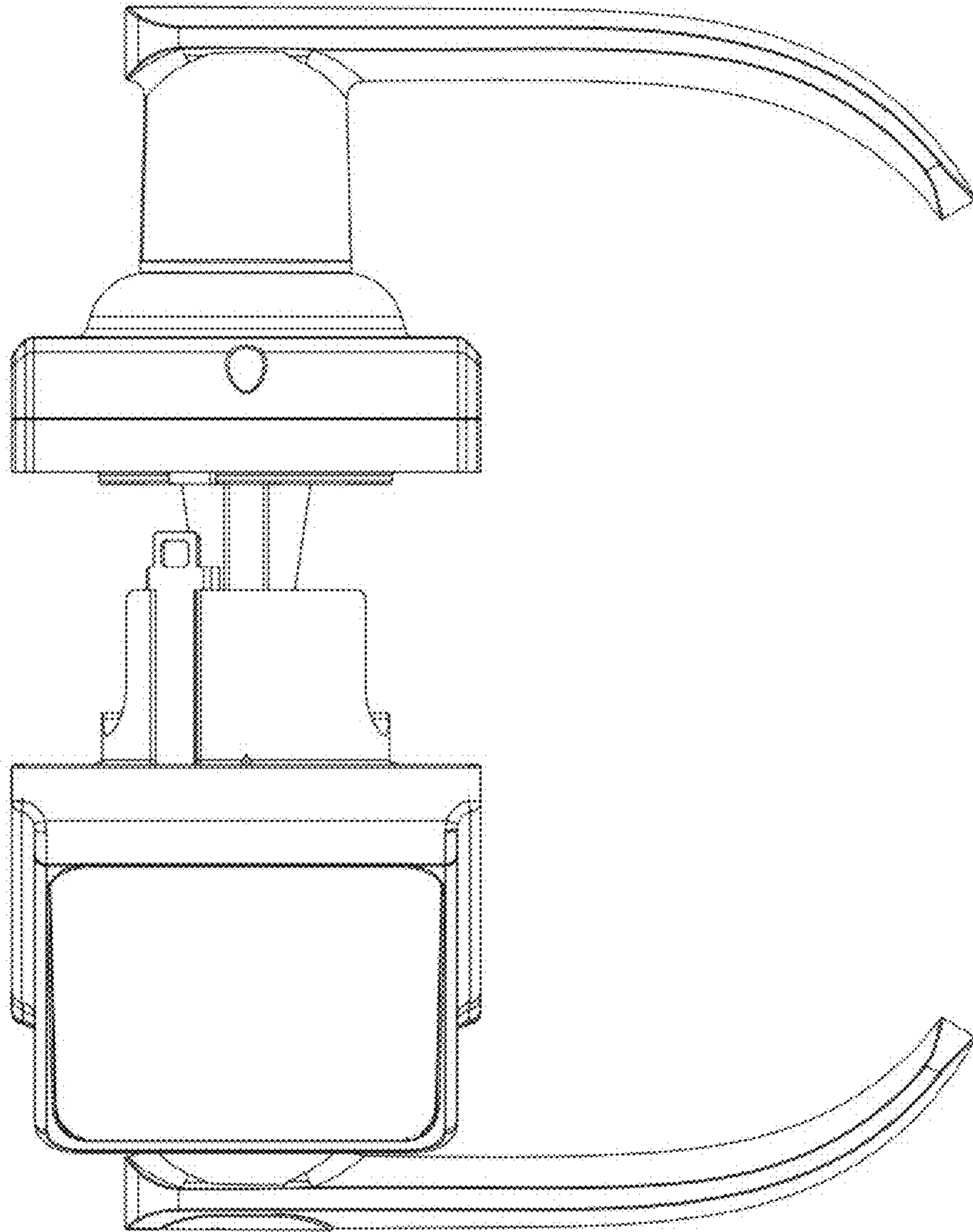


FIG.6

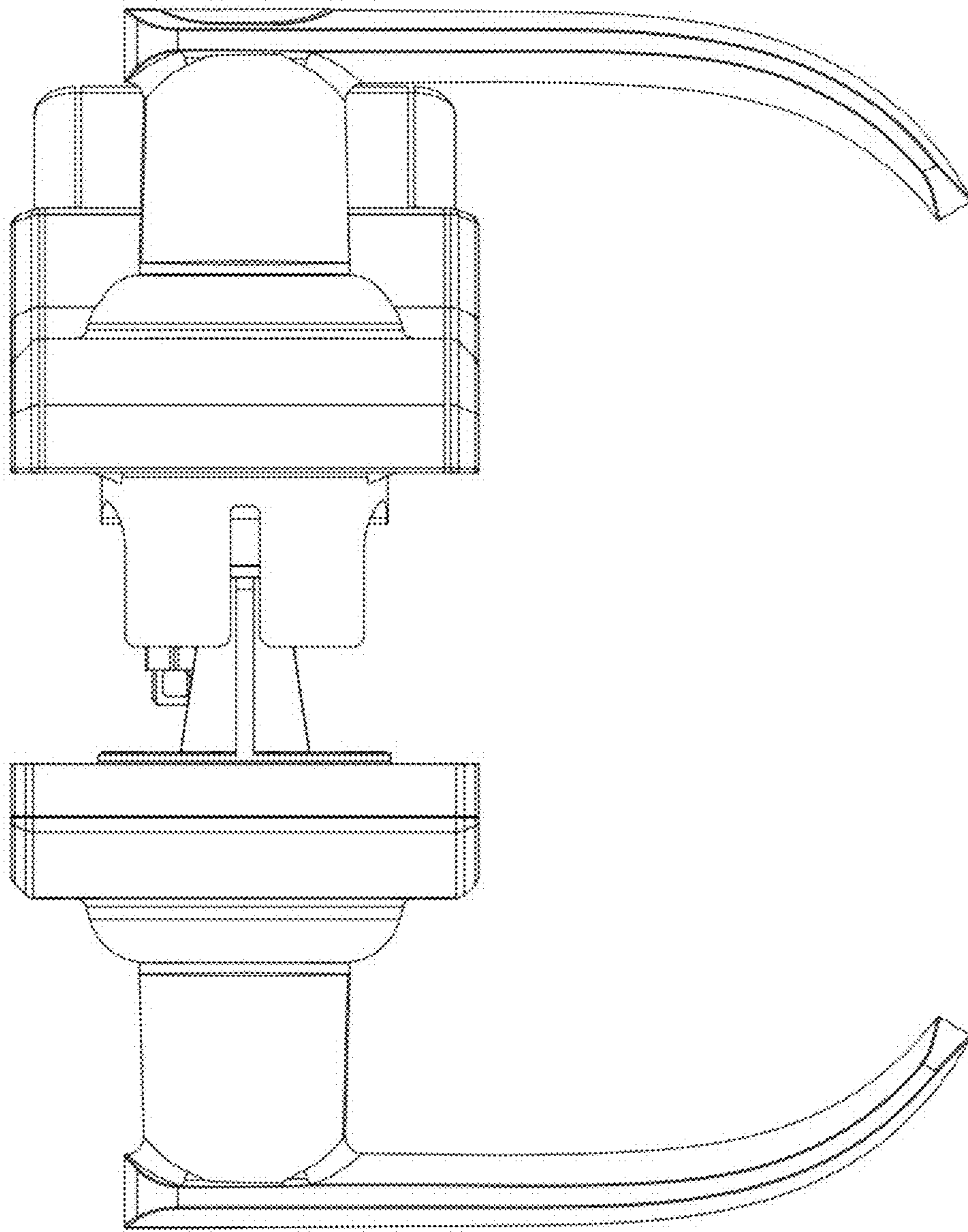


FIG.7