



US00D811851S

(12) **United States Design Patent**  
**Hsu et al.**

(10) **Patent No.:** **US D811,851 S**  
(45) **Date of Patent:** **\*\* Mar. 6, 2018**

- (54) **DEADBOLT FOR A DOOR**
- (71) Applicant: **Spectrum Brands, Inc.**, Middleton, WI (US)
- (72) Inventors: **Wei Hsu**, Lake Forest, CA (US); **Elliott Schneider**, Foothill Ranch, CA (US)
- (73) Assignee: **Spectrum Brands, Inc.**, Middleton, WI (US)
- (\*\*) Term: **15 Years**
- (21) Appl. No.: **29/589,636**
- (22) Filed: **Jan. 3, 2017**
- (51) **LOC (11) Cl.** ..... **08-07**
- (52) **U.S. Cl.**  
USPC ..... **D8/331**
- (58) **Field of Classification Search**  
USPC ..... D8/330, 331, 334, 300, 301, 350; 70/14, 70/20-22, 57, 57.1, 284-286, 314, 70/DIG. 44, 266, 277, 271  
CPC ..... E05B 9/00; E05B 9/02; E05B 2009/006; E05B 49/00  
See application file for complete search history.

- 7,210,421 B1 \* 5/2007 Pendergraph ..... B63B 43/24 114/78
- D552,964 S \* 10/2007 Bogdanov ..... D8/343
- D552,968 S 10/2007 Roberts et al.
- D553,953 S 10/2007 Roberts et al.
- D554,974 S 11/2007 Huang
- D577,277 S 9/2008 Samhammer et al.
- D595,109 S 6/2009 Doucet et al.

(Continued)

**FOREIGN PATENT DOCUMENTS**

- EM 000599246-0001 4/2006
- EM 001682691-0013 3/2010

*Primary Examiner* — Prabhakar Deshmukh  
(74) *Attorney, Agent, or Firm* — Banner & Witcoff, Ltd.

(57) **CLAIM**

The ornamental design for a deadbolt for a door, as shown and described.

**DESCRIPTION**

FIG. 1 is a front perspective view of a deadbolt for a door showing our new design;  
 FIG. 2 is a front view thereof;  
 FIG. 3 is a left side view thereof;  
 FIG. 4 is a right side view thereof;  
 FIG. 5 is a top view thereof;  
 FIG. 6 is a bottom view thereof;  
 FIG. 7 is a perspective view of the deadbolt for a door of FIGS. 1-6 showing lighting elements in an illuminated state;  
 FIG. 8 is a front view thereof;  
 FIG. 9 is a left side view thereof;  
 FIG. 10 is a right side view thereof;  
 FIG. 11 is a top view thereof; and,  
 FIG. 12 is a bottom view thereof.

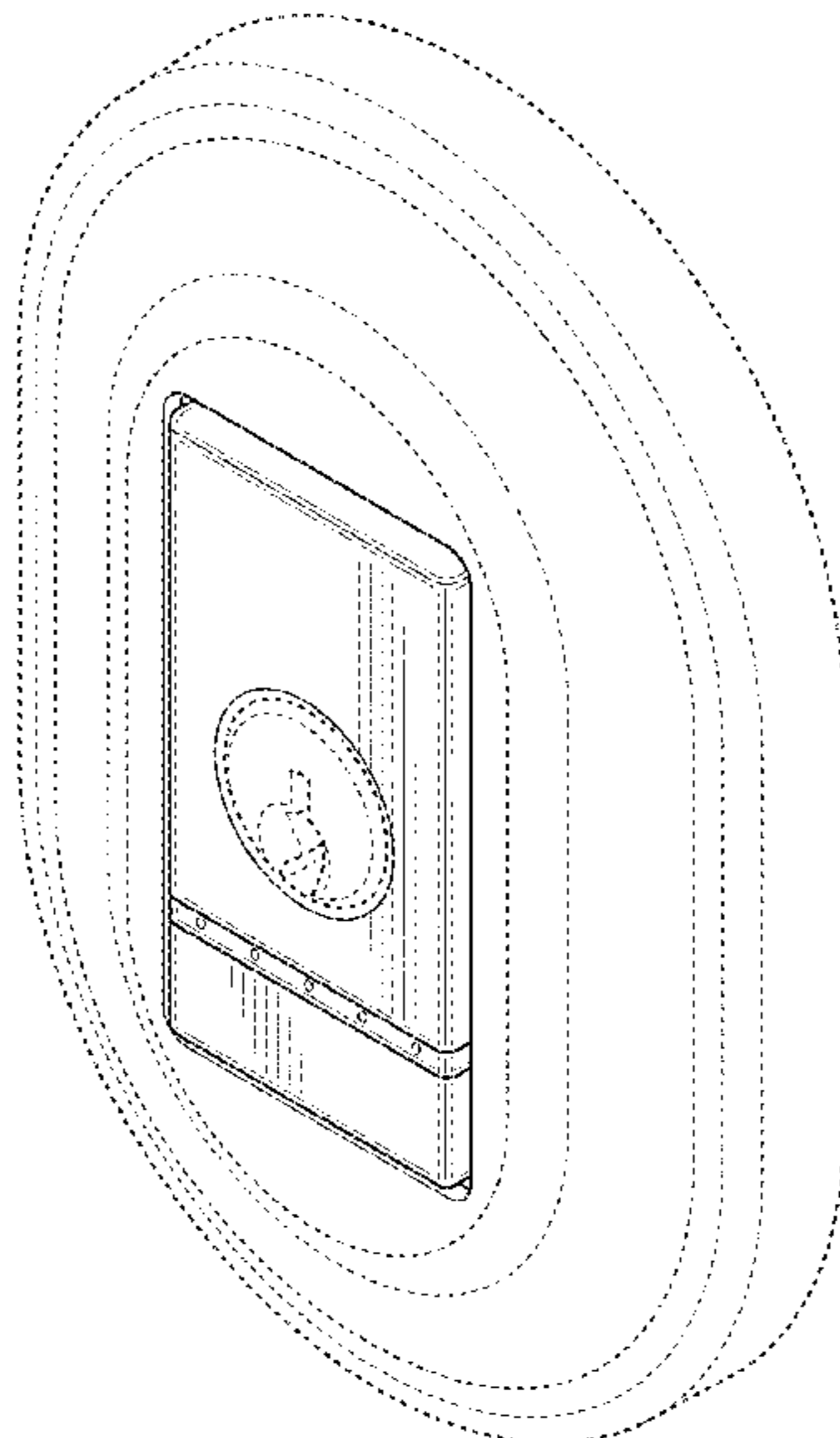
The broken line showing of the remainder of the deadbolt represents unclaimed subject matter and forms no part of the claimed design.

(56) **References Cited**

**U.S. PATENT DOCUMENTS**

- 4,126,341 A \* 11/1978 Bradstock ..... E05B 47/0012 292/201
- D349,037 S 7/1994 Carsello
- D365,976 S \* 1/1996 Chiu ..... D8/301
- D396,798 S 8/1998 Adelmeyer et al.
- D462,005 S 8/2002 Nakamaru
- D488,702 S 4/2004 Hansen
- D494,841 S 8/2004 Moon et al.
- D513,469 S \* 1/2006 Gao ..... D8/350
- 7,091,429 B2 \* 8/2006 Case ..... E05B 15/02 200/314
- D533,047 S 12/2006 Wright et al.

**1 Claim, 8 Drawing Sheets**



(56)

**References Cited**

U.S. PATENT DOCUMENTS

|              |      |         |                     |                         |
|--------------|------|---------|---------------------|-------------------------|
| D618,081     | S    | 6/2010  | Moyer               |                         |
| D635,444     | S    | 4/2011  | Roberts, III        |                         |
| D638,276     | S *  | 5/2011  | Tonizzo .....       | D8/331                  |
| 7,990,280    | B2 * | 8/2011  | Gray .....          | G08B 13/08<br>340/540   |
| D649,012     | S    | 11/2011 | Gartner             |                         |
| 8,331,544    | B2 * | 12/2012 | Kraus .....         | G07C 9/00944<br>340/5.7 |
| D682,656     | S    | 5/2013  | Cramer et al.       |                         |
| D682,657     | S    | 5/2013  | Roberts, III        |                         |
| D682,658     | S *  | 5/2013  | Cramer .....        | D8/331                  |
| D684,842     | S    | 6/2013  | Chan et al.         |                         |
| D701,748     | S    | 4/2014  | Weathersby et al.   |                         |
| D722,260     | S    | 2/2015  | Warmenhoven et al.  |                         |
| D722,633     | S    | 2/2015  | Au                  |                         |
| D732,923     | S    | 6/2015  | Rechberg et al.     |                         |
| D733,522     | S    | 7/2015  | Kim et al.          |                         |
| D736,591     | S    | 8/2015  | Groleski et al.     |                         |
| D736,596     | S    | 8/2015  | Warmenhoven et al.  |                         |
| D737,118     | S    | 8/2015  | Chan et al.         |                         |
| D737,661     | S    | 9/2015  | Chan                |                         |
| D790,950     | S *  | 7/2017  | Kraus .....         | D8/330                  |
| D795,041     | S *  | 8/2017  | Oliva Camacho ..... | D8/331                  |
| 2012/0234058 | A1   | 9/2012  | Neil et al.         |                         |
| 2013/0237193 | A1   | 9/2013  | Dumas et al.        |                         |

\* cited by examiner

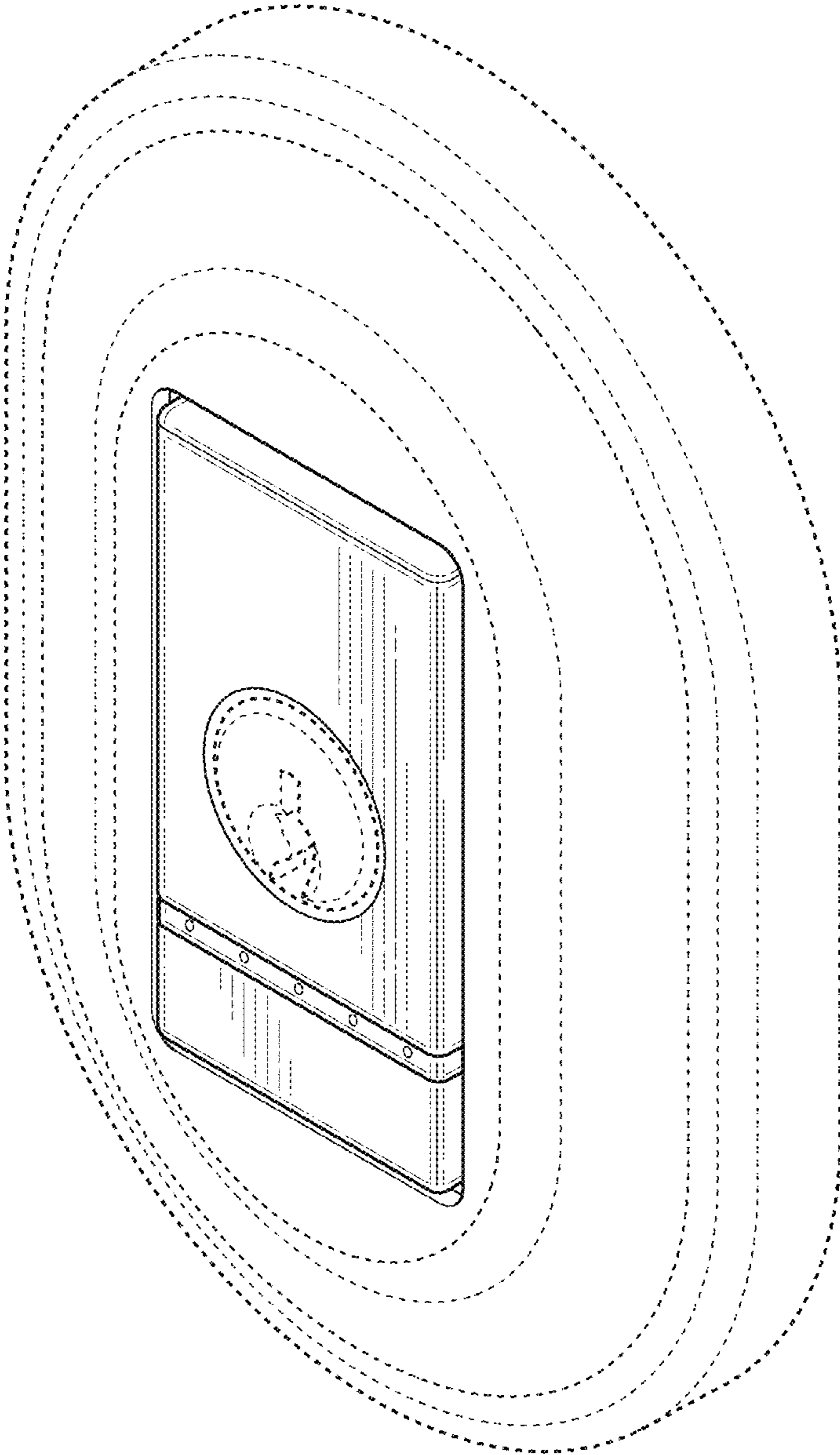


FIG. 1

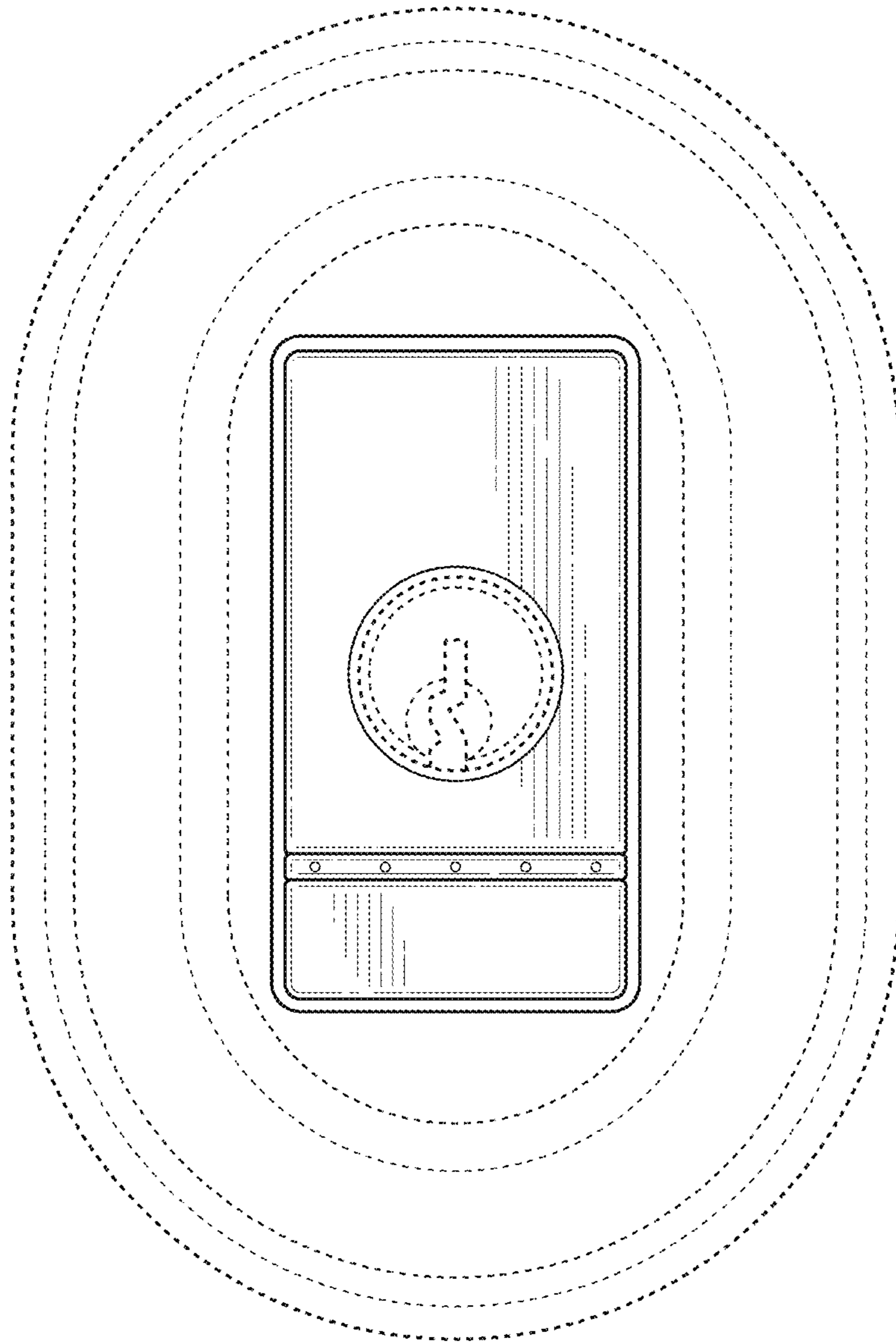


FIG. 2

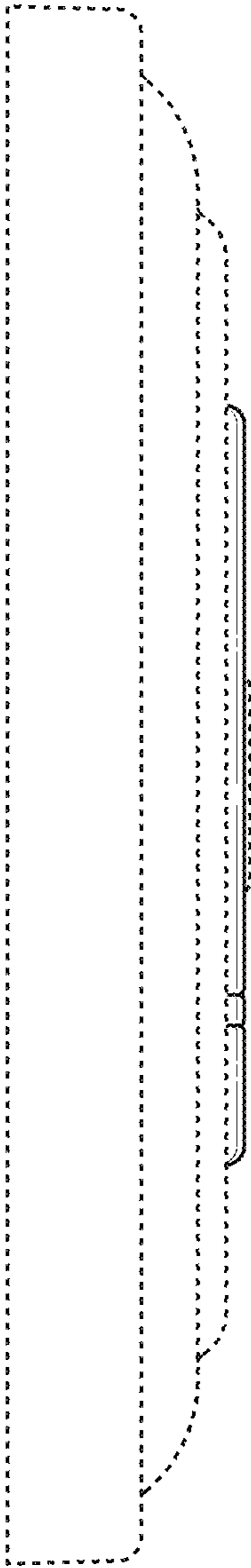


FIG. 3

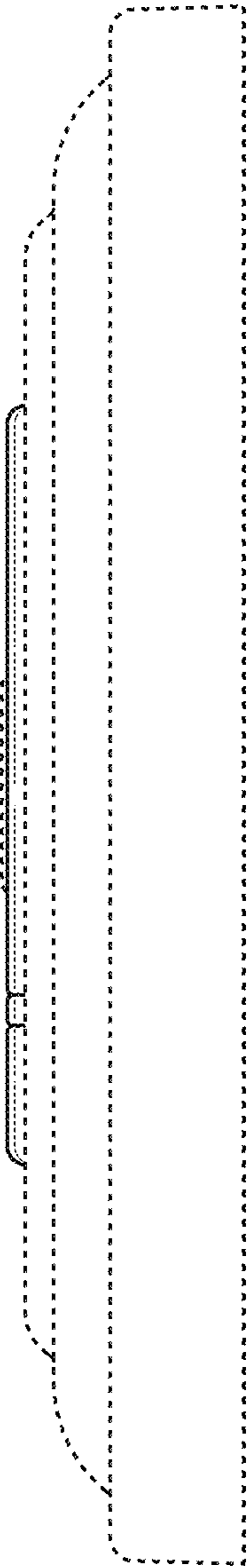
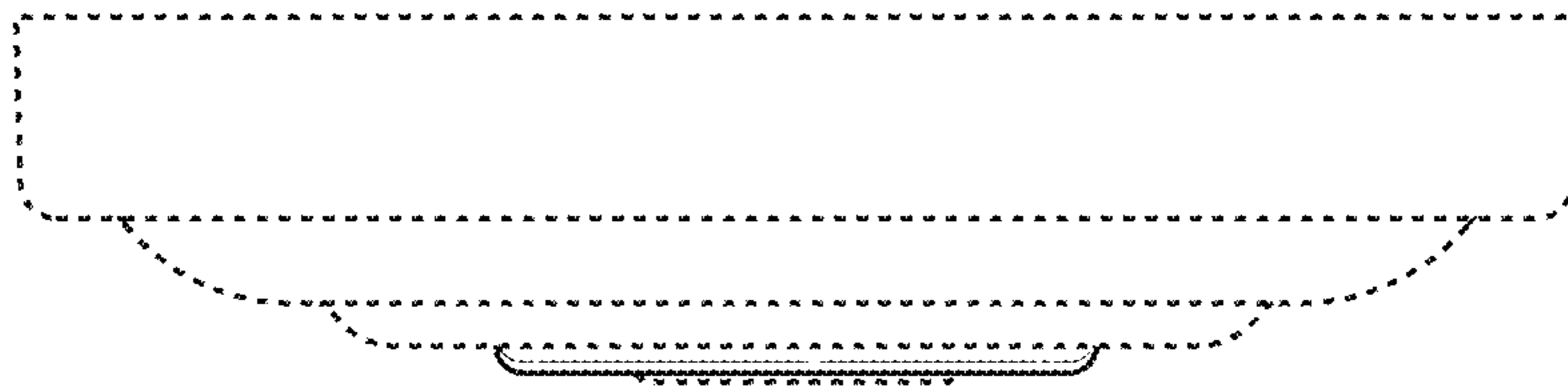
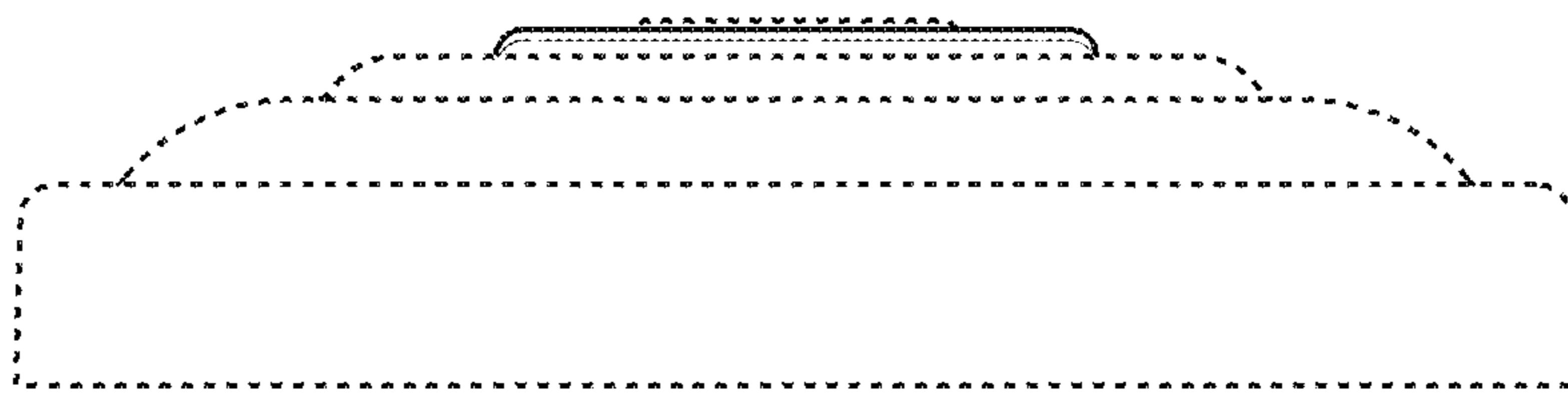


FIG. 4



**FIG. 5**



**FIG. 6**

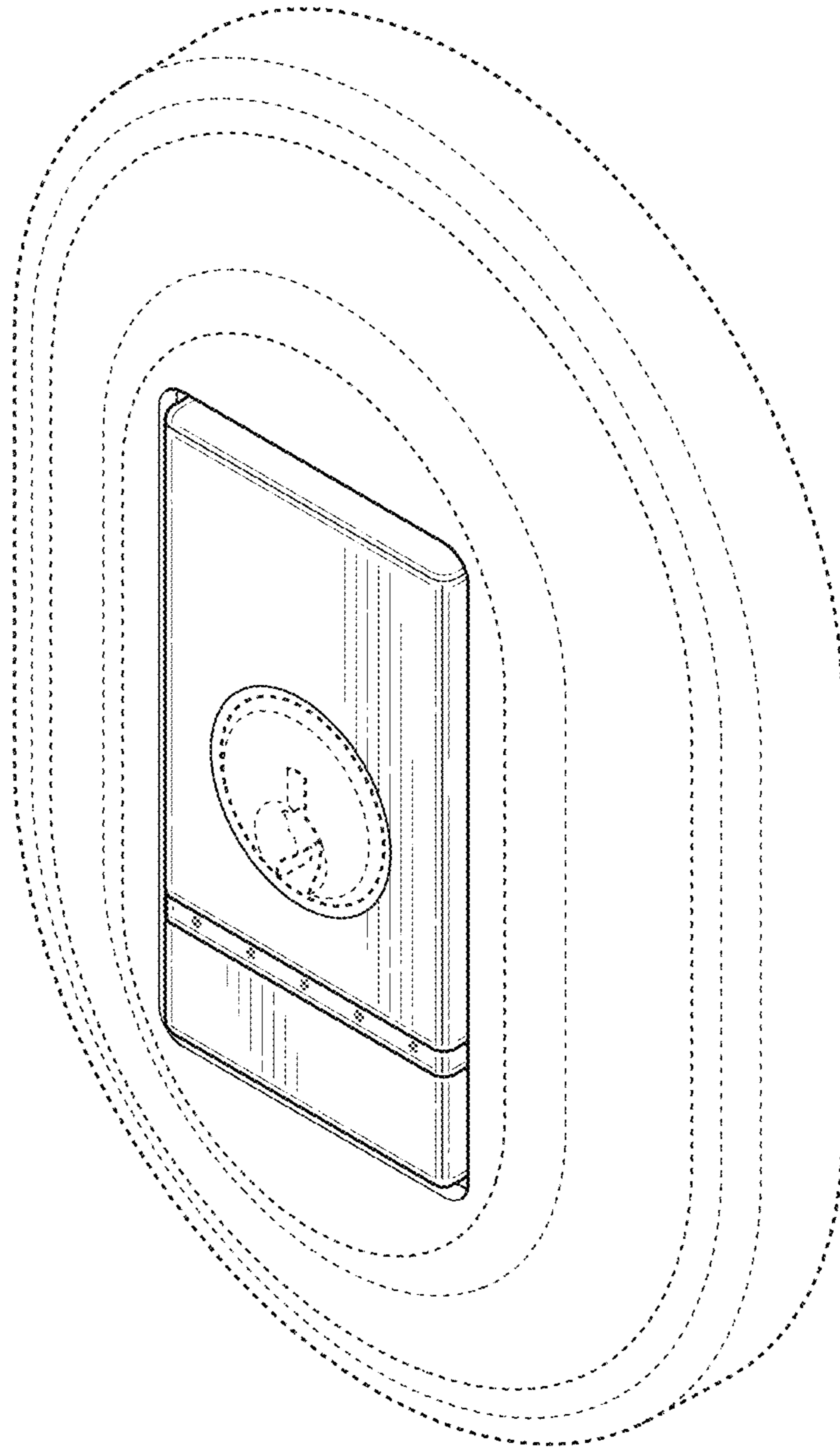
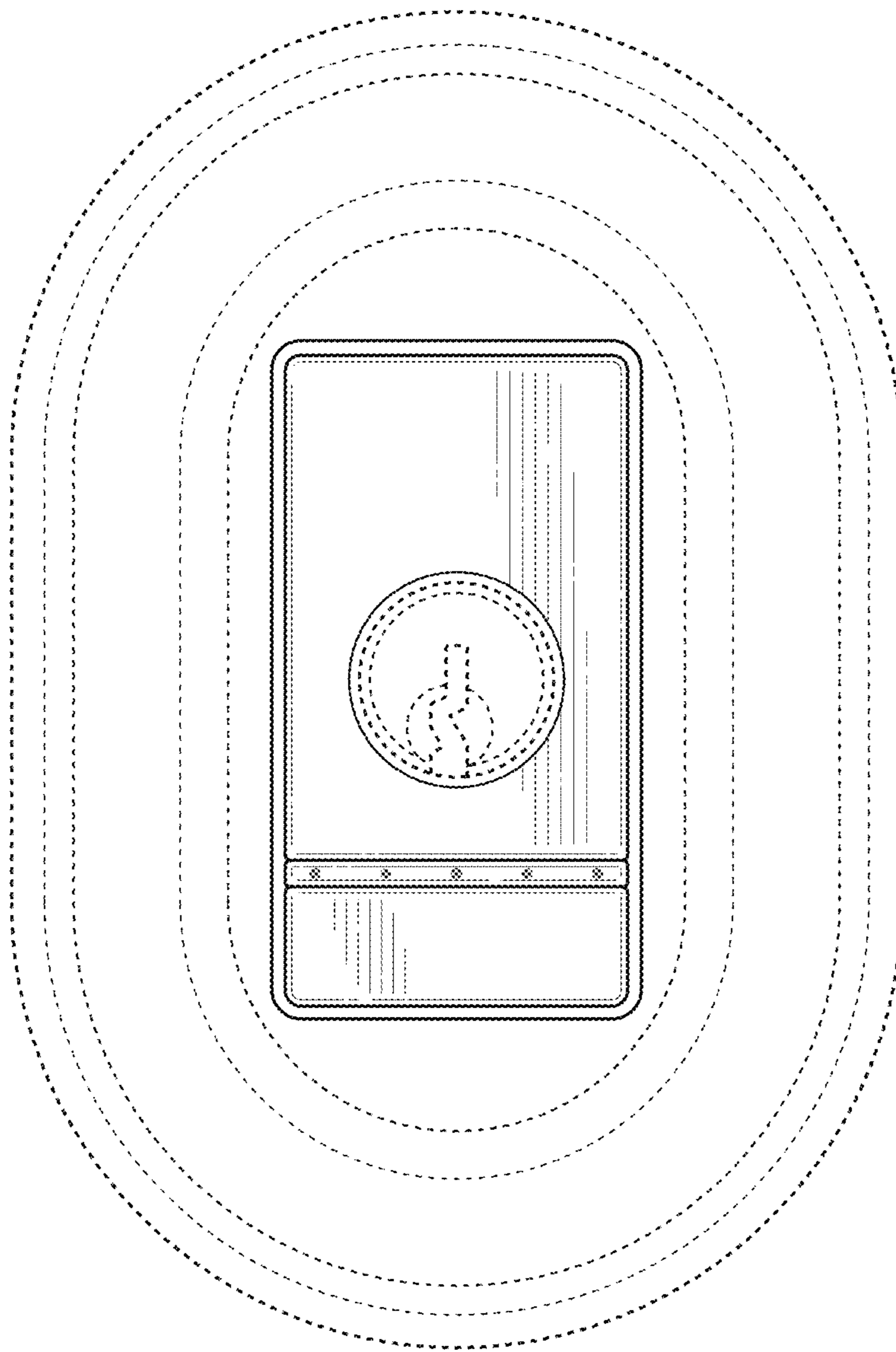
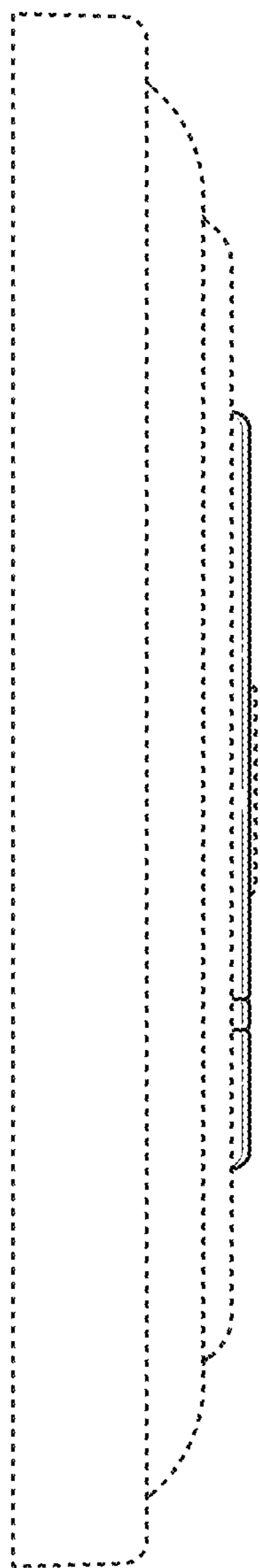


FIG. 7

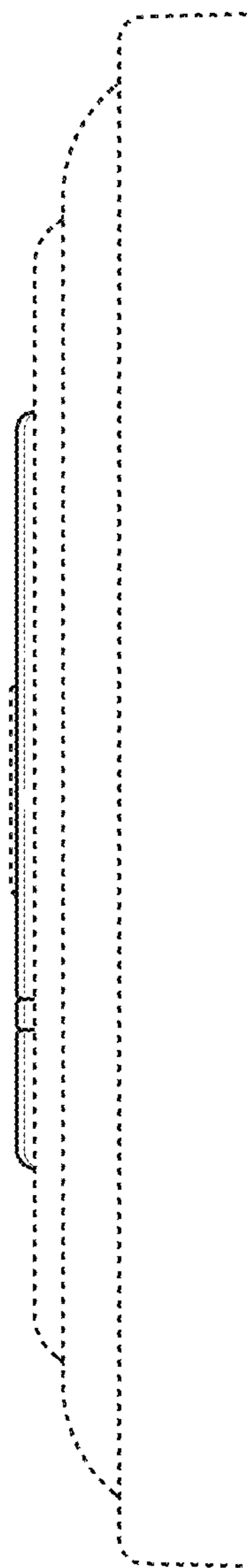


**FIG. 8**

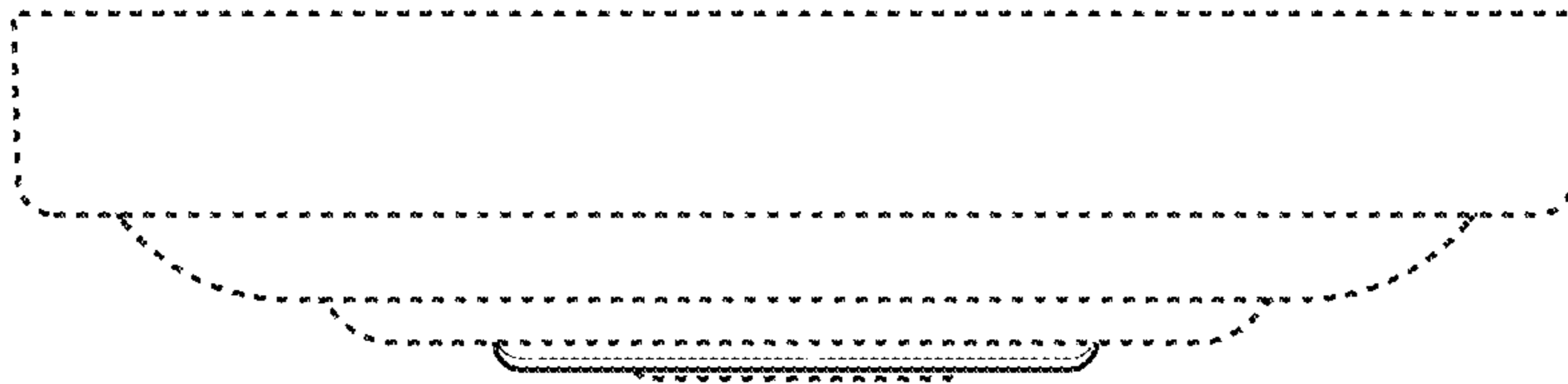




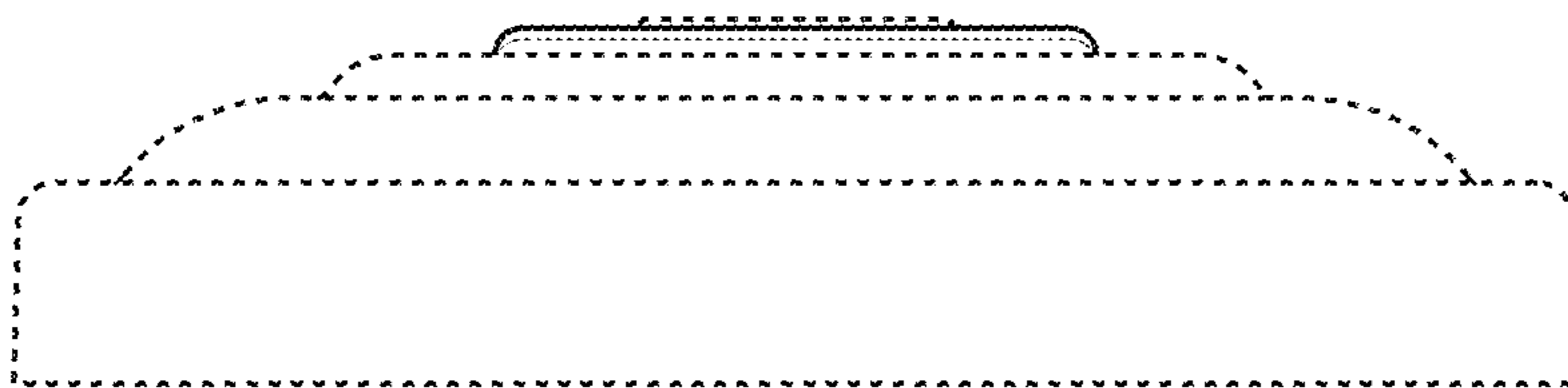
**FIG. 9**



**FIG. 10**



**FIG. 11**



**FIG. 12**