



US00D811848S

(12) **United States Design Patent**
Ogata et al.

(10) **Patent No.:** **US D811,848 S**
(45) **Date of Patent:** **** Mar. 6, 2018**

(54) **FOLDING KNIFE WITH CLEAVER FLIPPER BLADE**

DESCRIPTION

(71) Applicants: **Garett Ogata**, Sunnyvale, CA (US);
Gregory W. Goeckel, Ofallon, IL (US)

(72) Inventors: **Garett Ogata**, Sunnyvale, CA (US);
Gregory W. Goeckel, Ofallon, IL (US)

(**) Term: **15 Years**

(21) Appl. No.: **29/568,842**

(22) Filed: **Jun. 22, 2016**

(51) **LOC (11) Cl.** **08-03**

(52) **U.S. Cl.**
USPC **D8/99**

(58) **Field of Classification Search**
USPC D8/98, 99, 100, 105, 107; D22/118
CPC B26B 5/001; B26B 5/003; B26B 11/00;
B26B 1/02; B26B 1/10; B26B 1/04;
B26B 1/042; B26B 1/044; B26B 1/046
See application file for complete search history.

(56) **References Cited**

U.S. PATENT DOCUMENTS

D560,995 S *	2/2008	Onion	D8/99
D560,996 S *	2/2008	Onion	D8/99
D570,180 S *	6/2008	Onion	D8/99
D575,614 S *	8/2008	Galyean	D8/99
D634,174 S *	3/2011	Ryan	D8/99
D653,520 S *	2/2012	Chang	D8/99
D706,107 S *	6/2014	Pelton	D8/99

(Continued)

Primary Examiner — Philip S Hyder

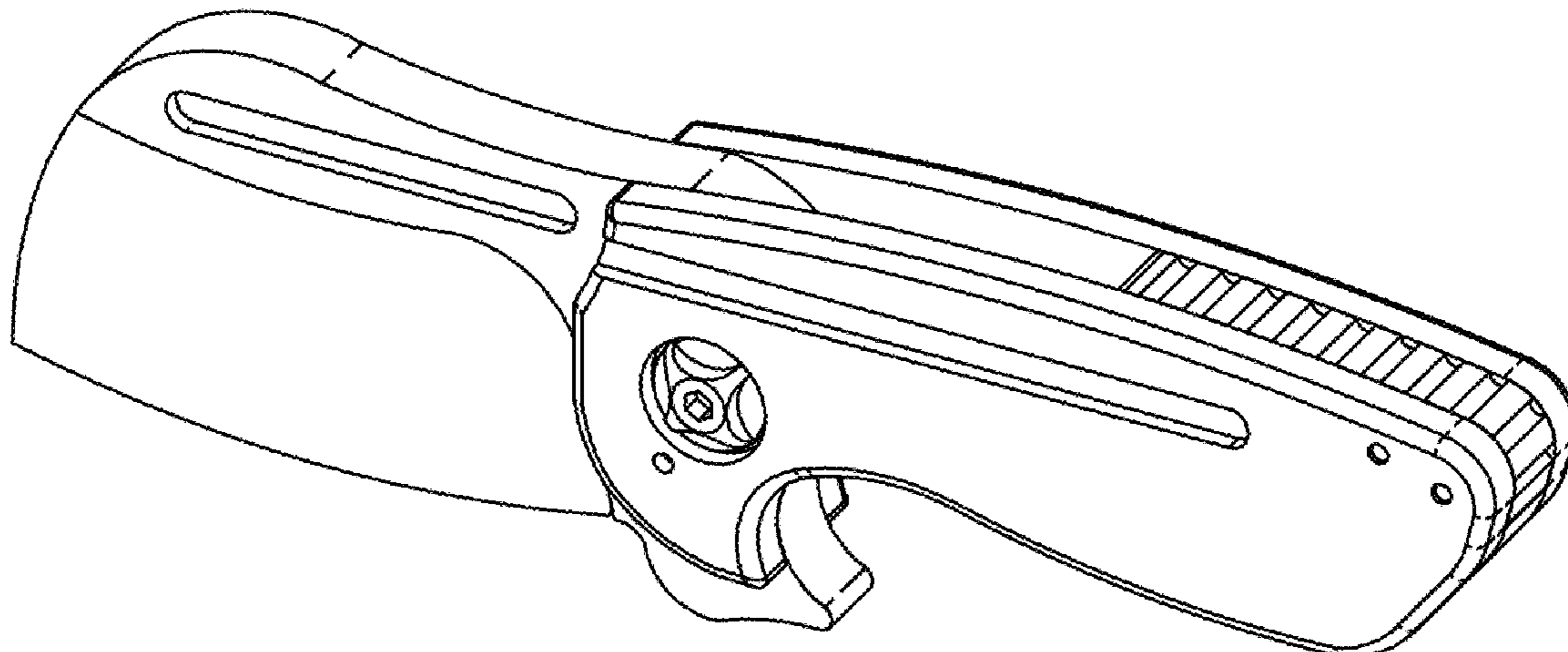
(74) *Attorney, Agent, or Firm* — Thomas E. Lees, LLC

(57) **CLAIM**

The ornamental design for a folding knife with cleaver flipper blade, as shown and described.

FIG. 1 is a perspective view of a folding knife with cleaver flipper blade in a folded open position;
 FIG. 2 is a top plan view of the folding knife with cleaver flipper blade in the folded open position;
 FIG. 3 is a front side elevational view of the folding knife with cleaver flipper blade in the folded open position;
 FIG. 4 is a bottom plan view of the folding knife with cleaver flipper blade in the folded open position;
 FIG. 5 is a rear side elevational view of the folding knife with cleaver flipper blade in the folded open position;
 FIG. 6 is a left side elevational view of the folding knife with cleaver flipper blade in the folded open position;
 FIG. 7 is a right side elevational view of the folding knife with cleaver flipper blade in the folded open position;
 FIG. 8 is another perspective view of the folding knife with cleaver flipper blade in the folded open position;
 FIG. 9 is a perspective view of the folding knife with cleaver flipper blade of FIG. 1 in a folded closed position;
 FIG. 10 is a top plan view of the folding knife with cleaver flipper blade of FIG. 1 in a folded closed position;
 FIG. 11 is a front side elevational view of the folding knife with cleaver flipper blade of FIG. 1 in a folded closed position;
 FIG. 12 is a bottom plan view of the folding knife with cleaver flipper blade of FIG. 1 in a folded closed position;
 FIG. 13 is a rear side elevational view of the folding knife with cleaver flipper blade of FIG. 1 in a folded closed position;
 FIG. 14 is a left side elevational view of the folding knife with cleaver flipper blade of FIG. 1 in a folded closed position;
 FIG. 15 is a right side elevational view of the folding knife with cleaver flipper blade of FIG. 1 in a folded closed position; and,
 FIG. 16 is another perspective view of the folding knife with cleaver flipper blade of FIG. 1 in a folded closed position.

1 Claim, 4 Drawing Sheets



(56)

References Cited

U.S. PATENT DOCUMENTS

2010/0299933 A1 * 12/2010 Vellekamp B26B 1/02
30/161

* cited by examiner

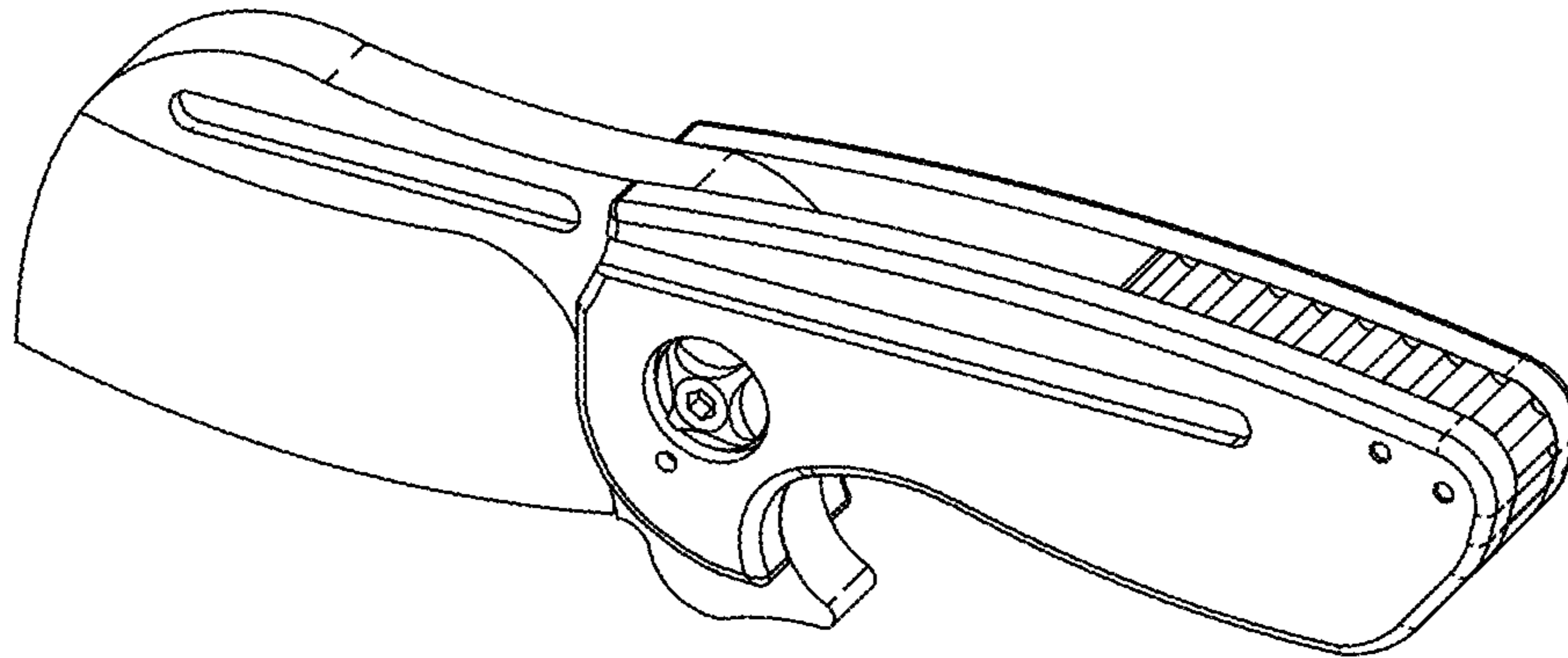


FIG. 1

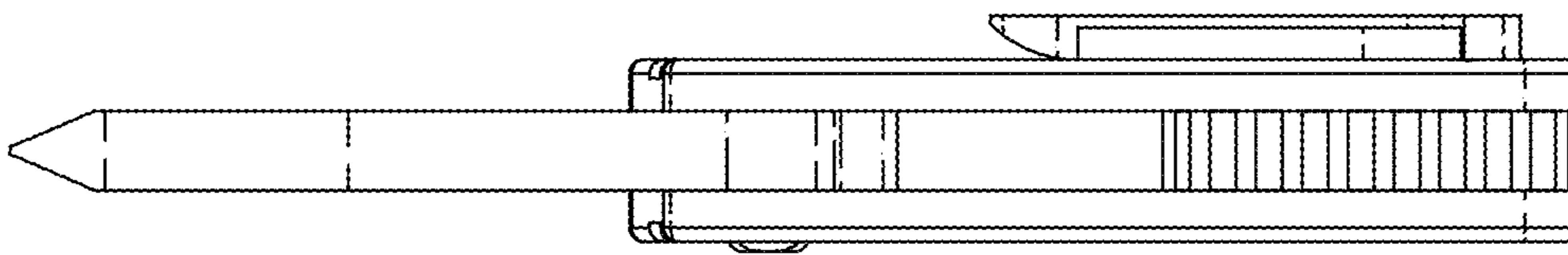


FIG. 2

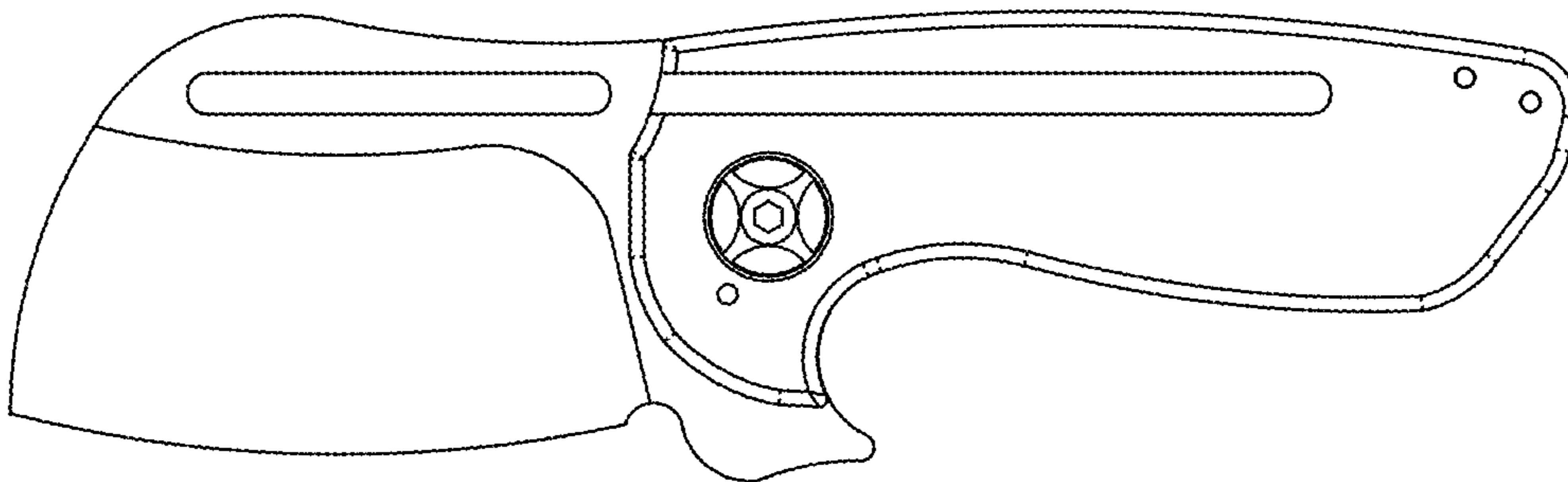


FIG. 3

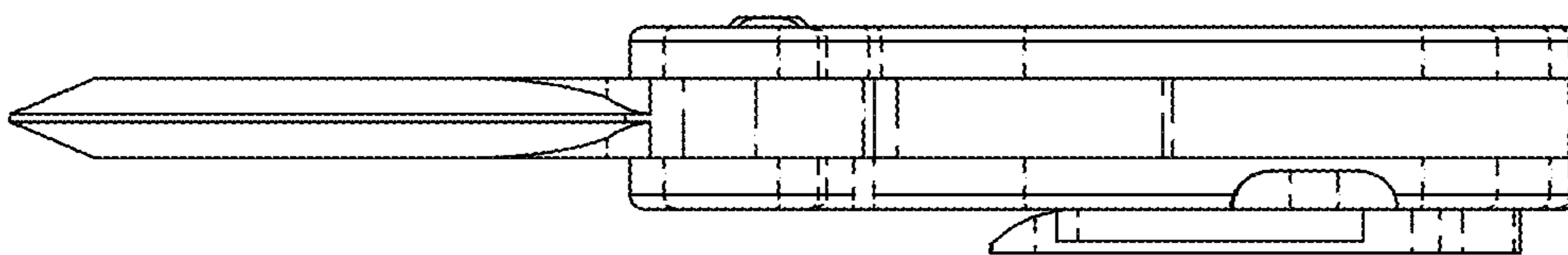


FIG. 4

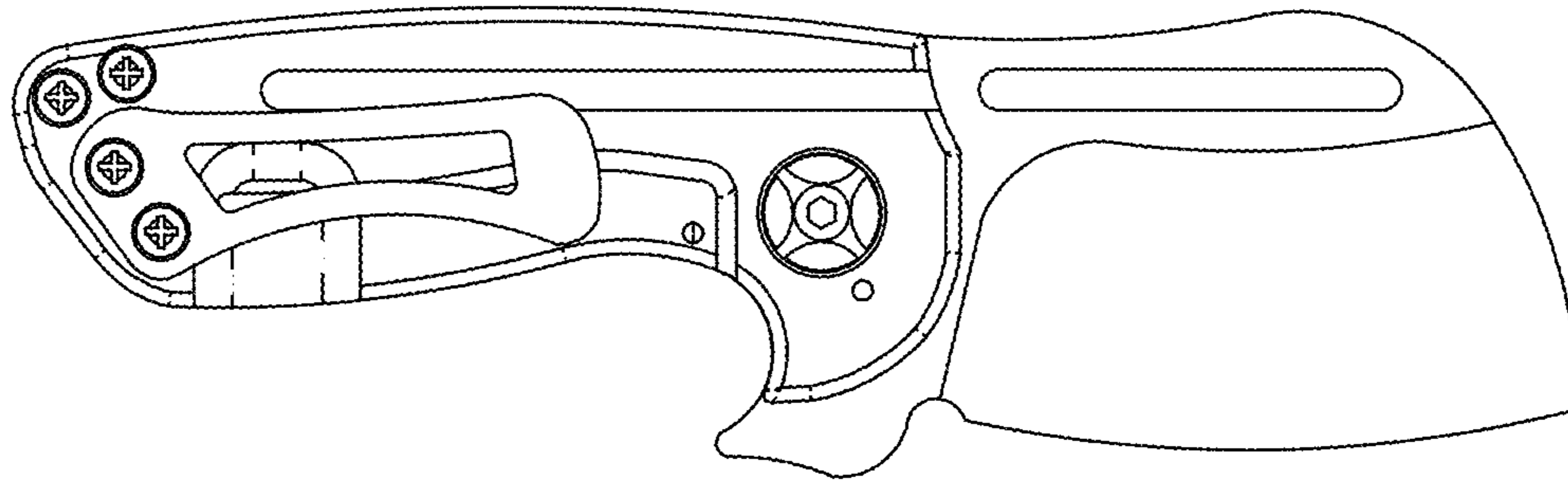


FIG. 5

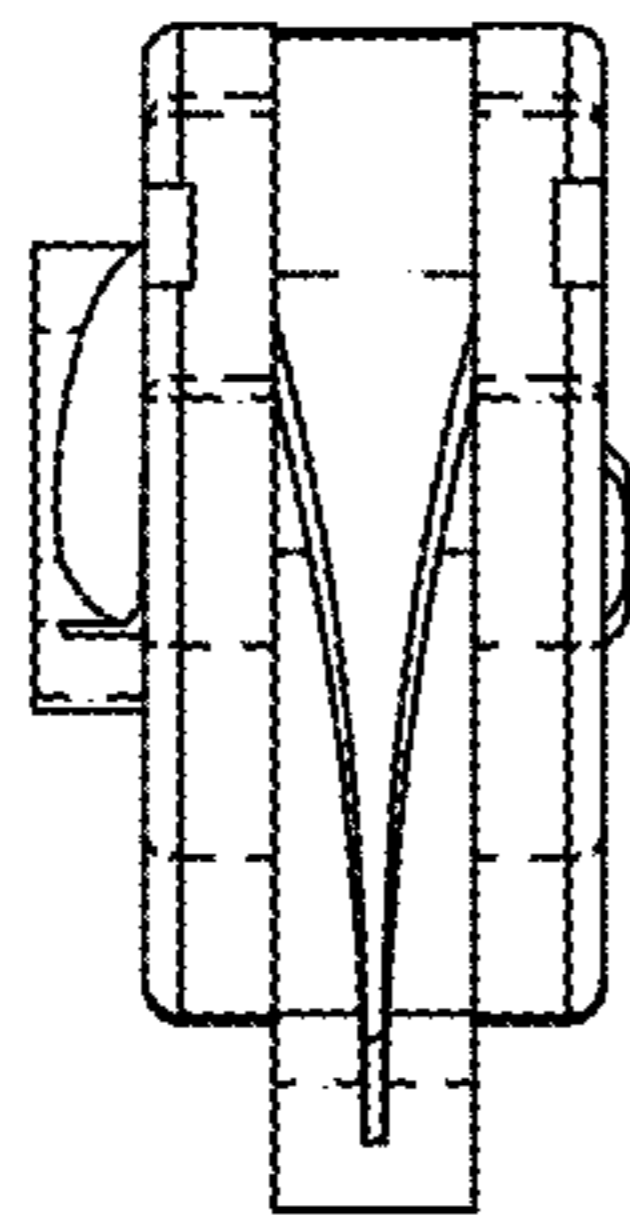


FIG. 6

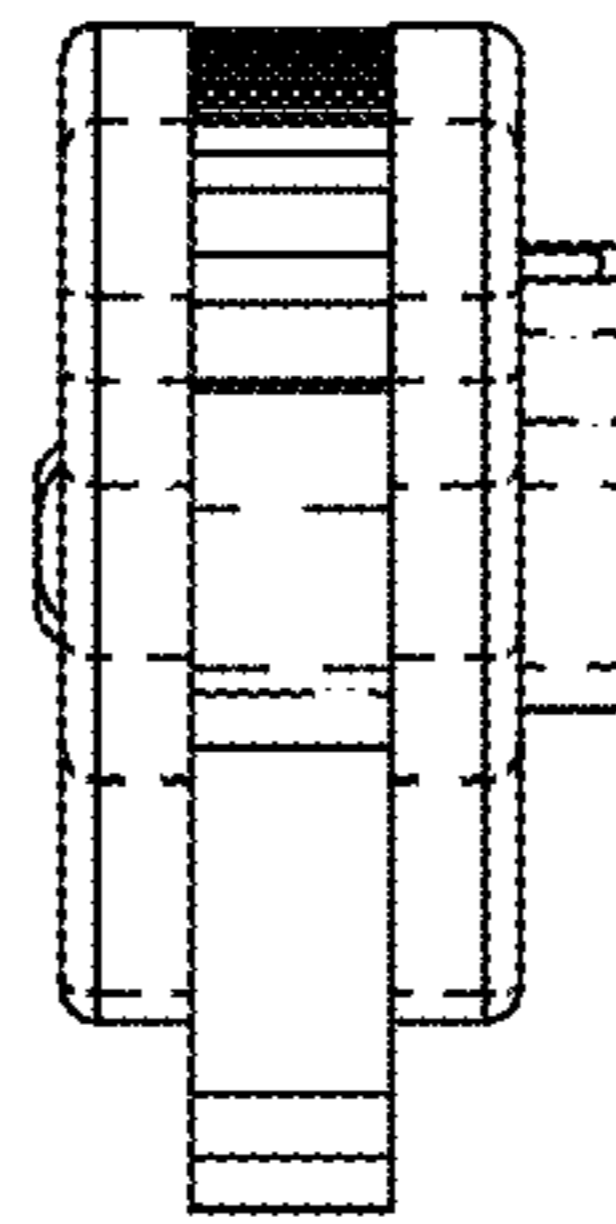


FIG. 7

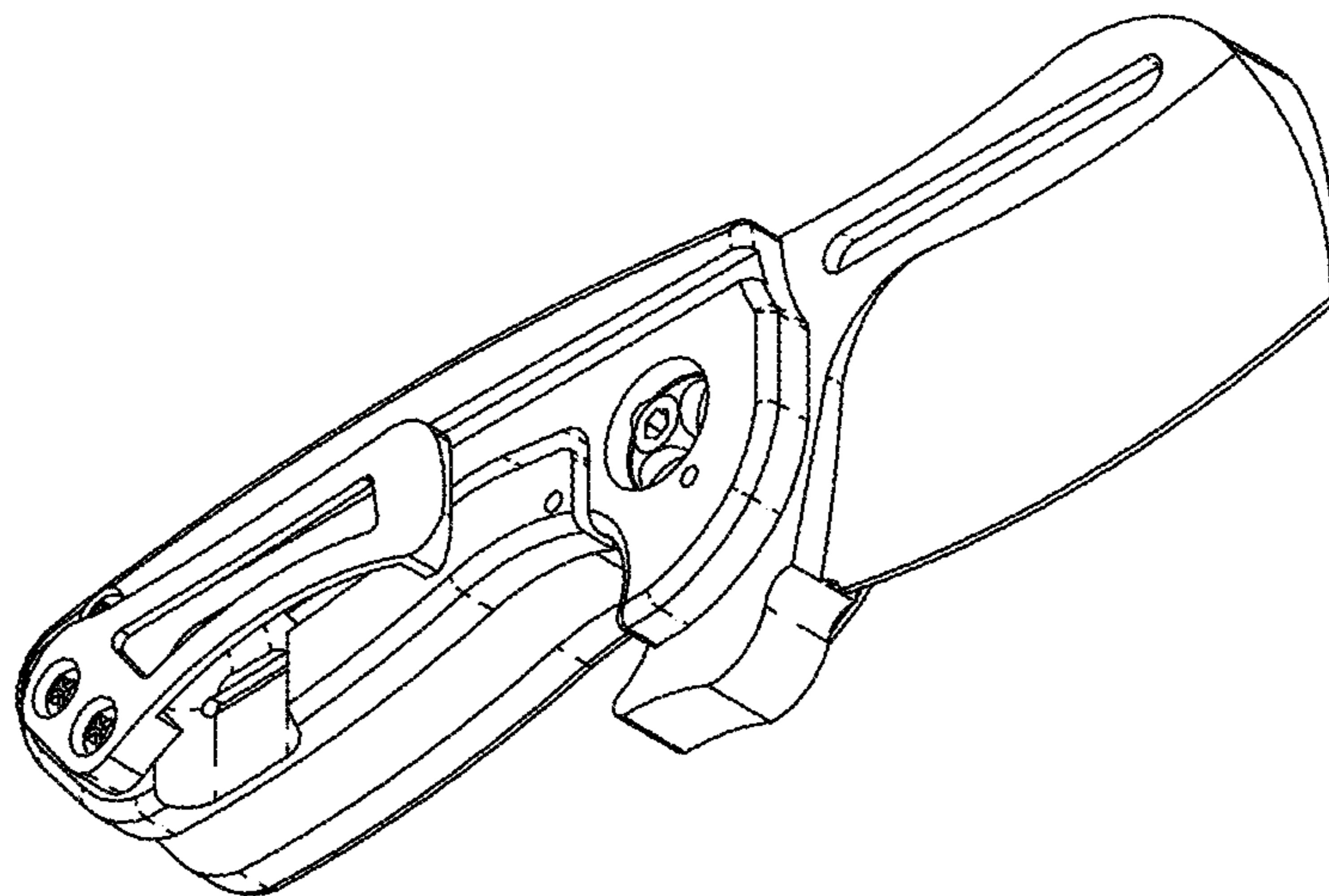


FIG. 8

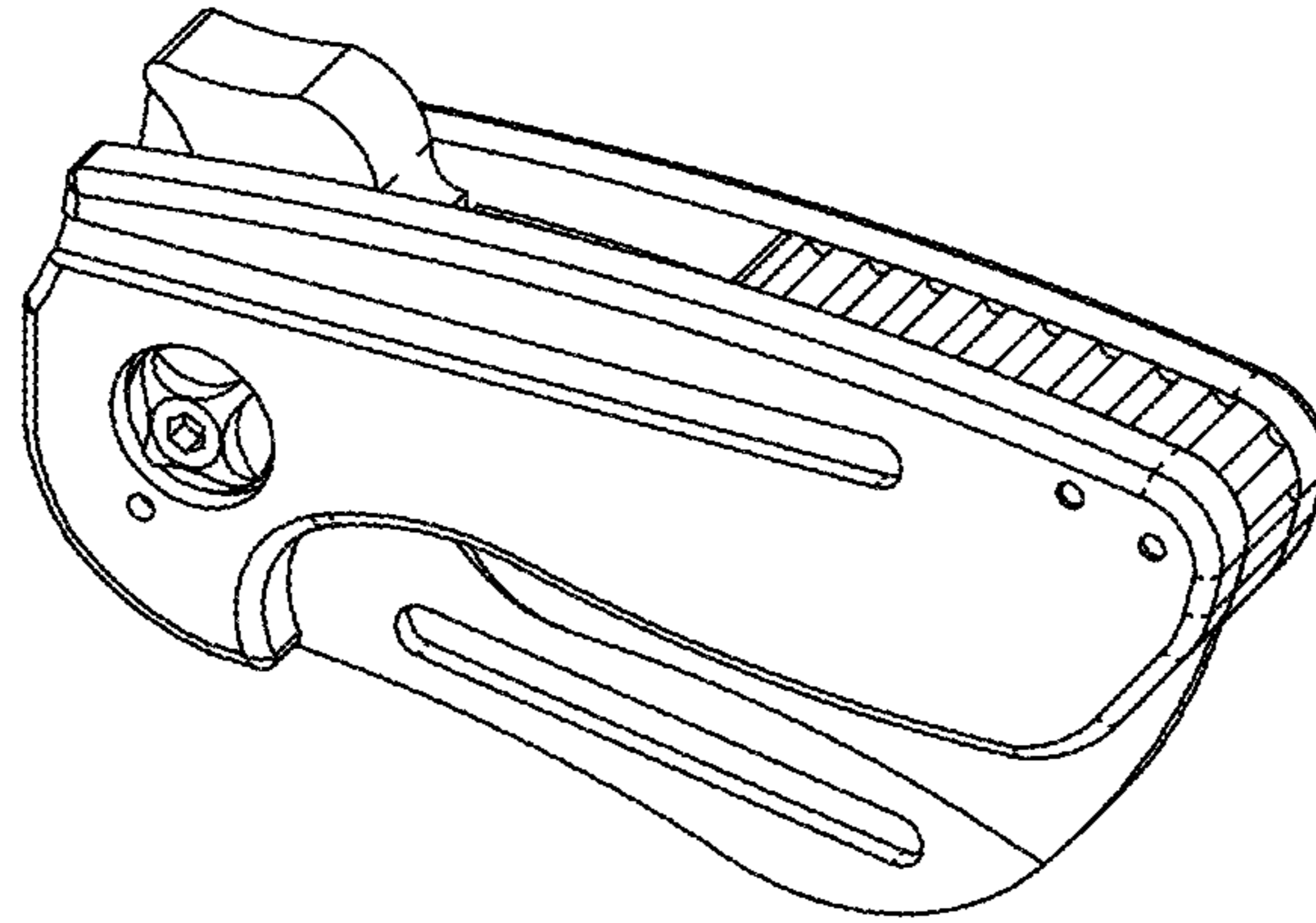


FIG. 9

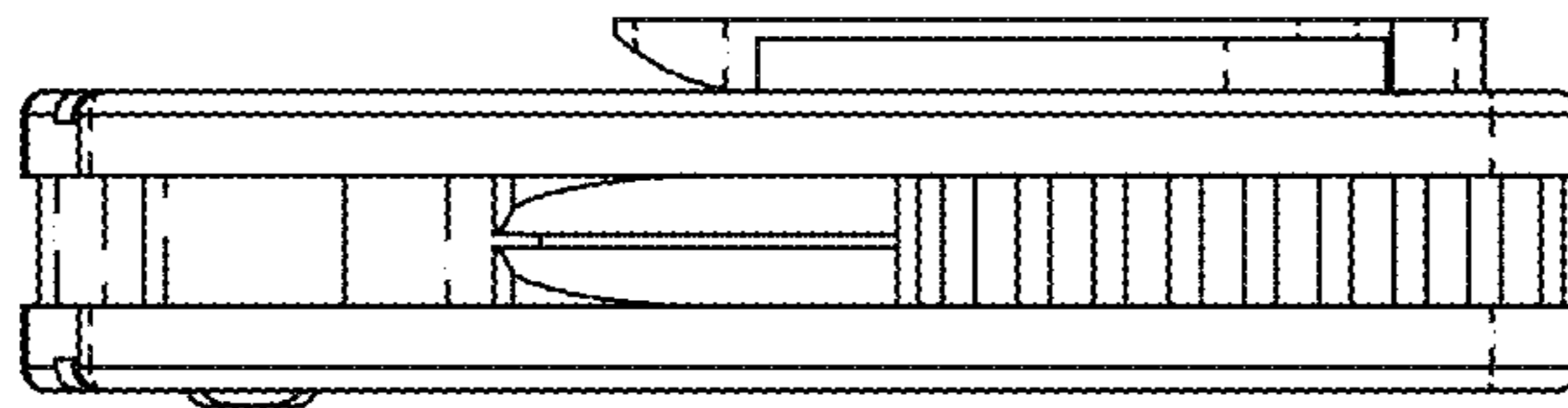


FIG. 10

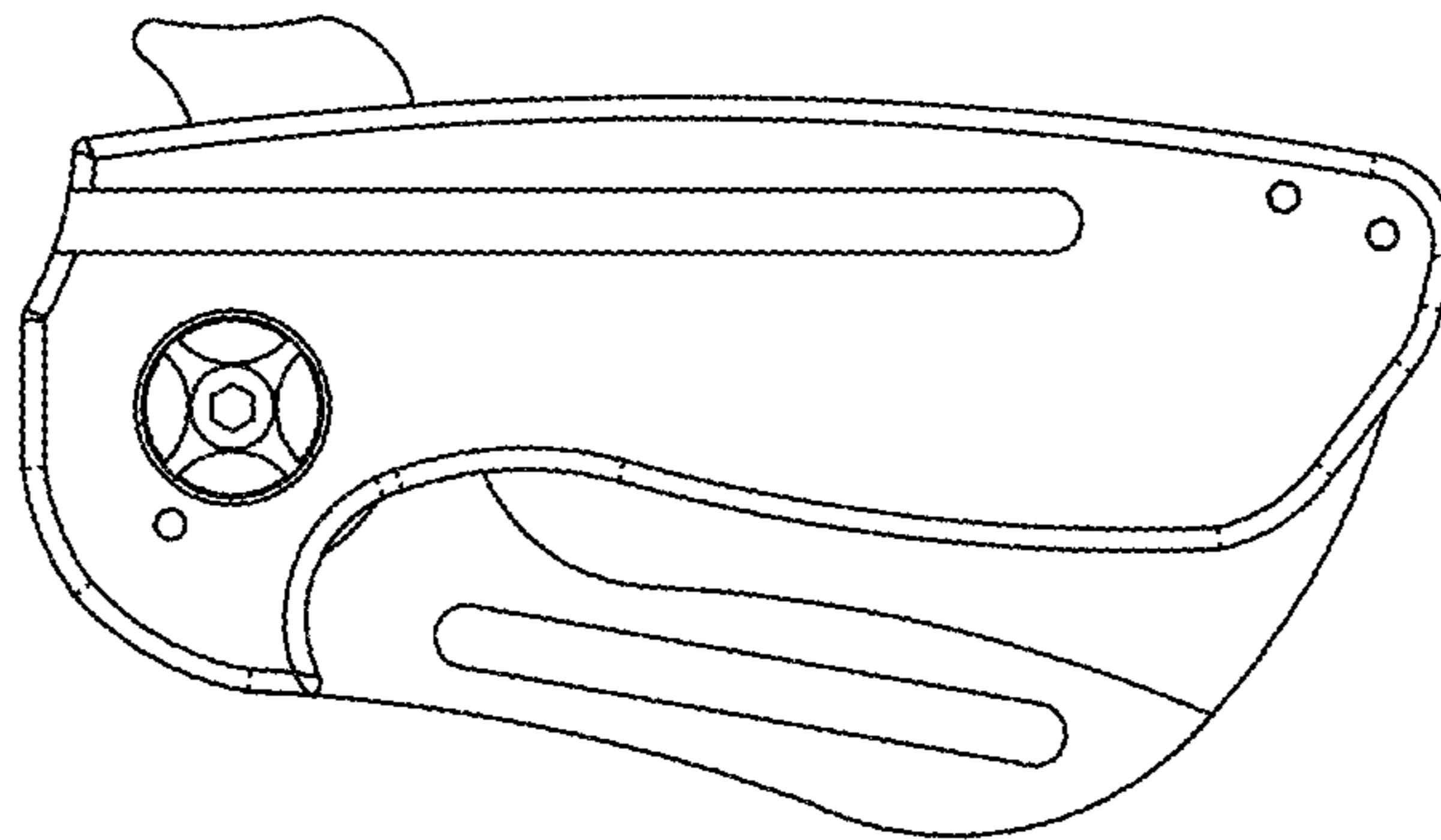


FIG. 11

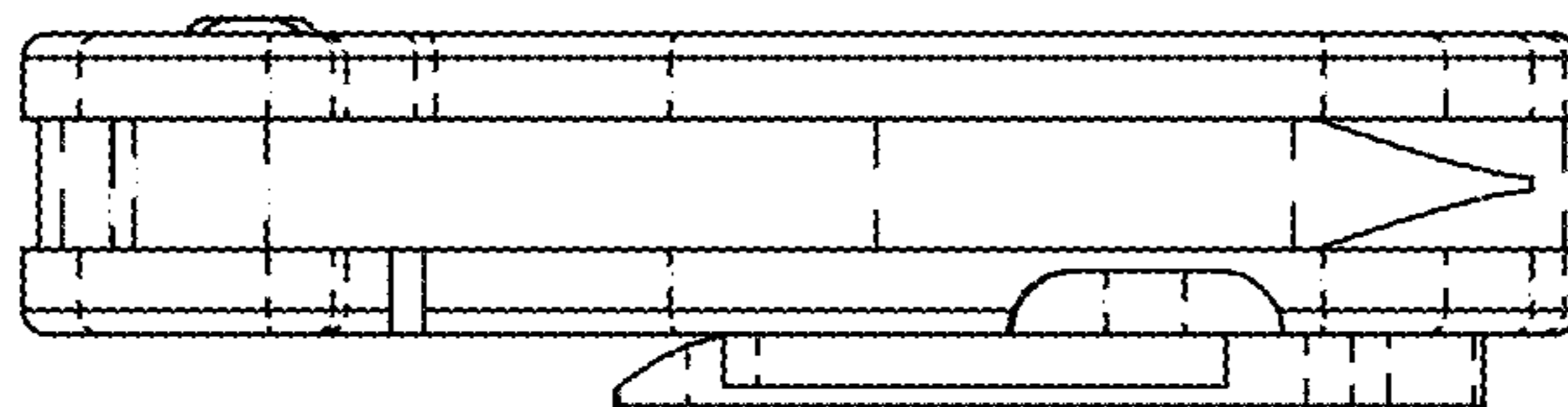


FIG. 12

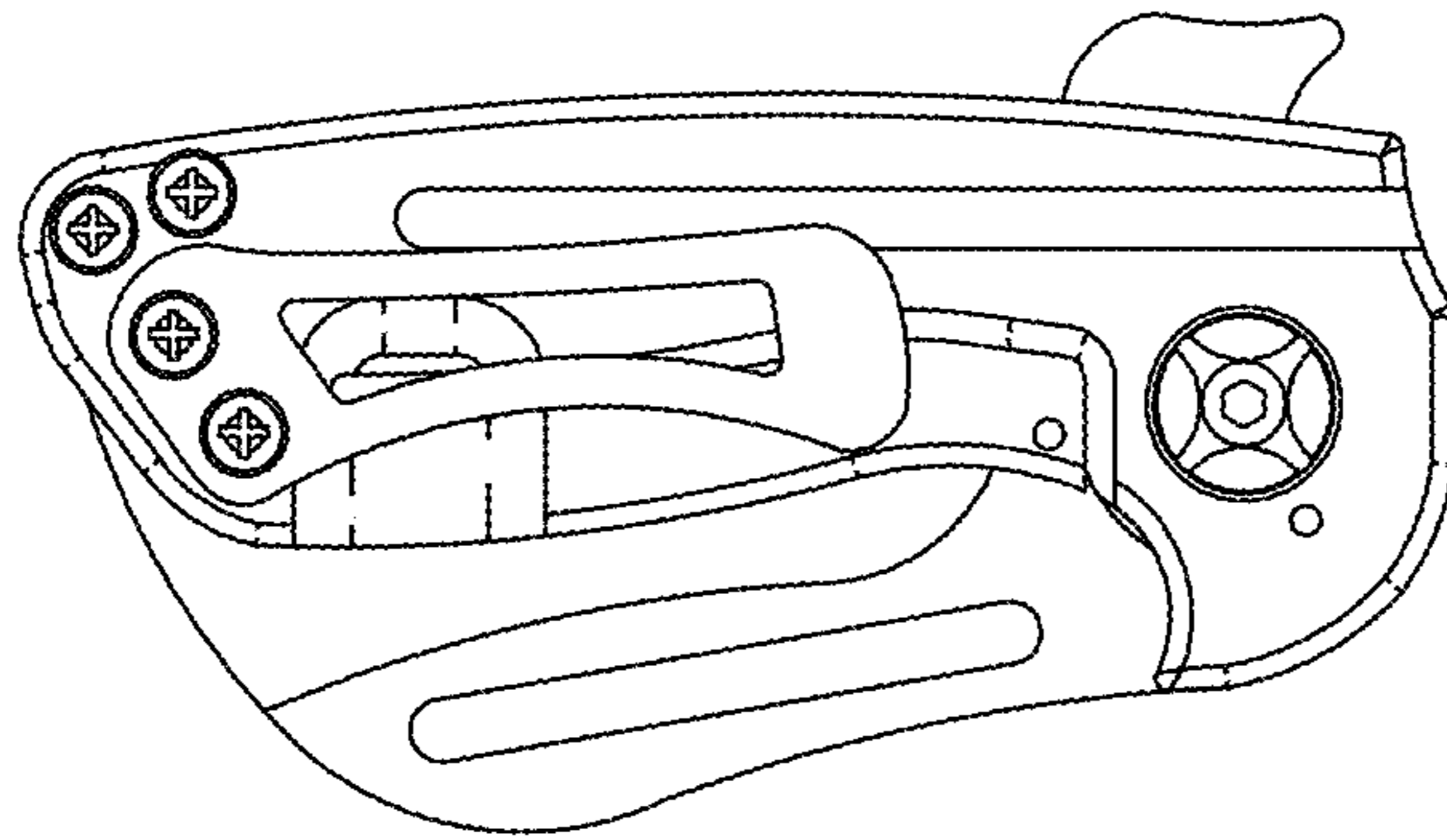


FIG. 13

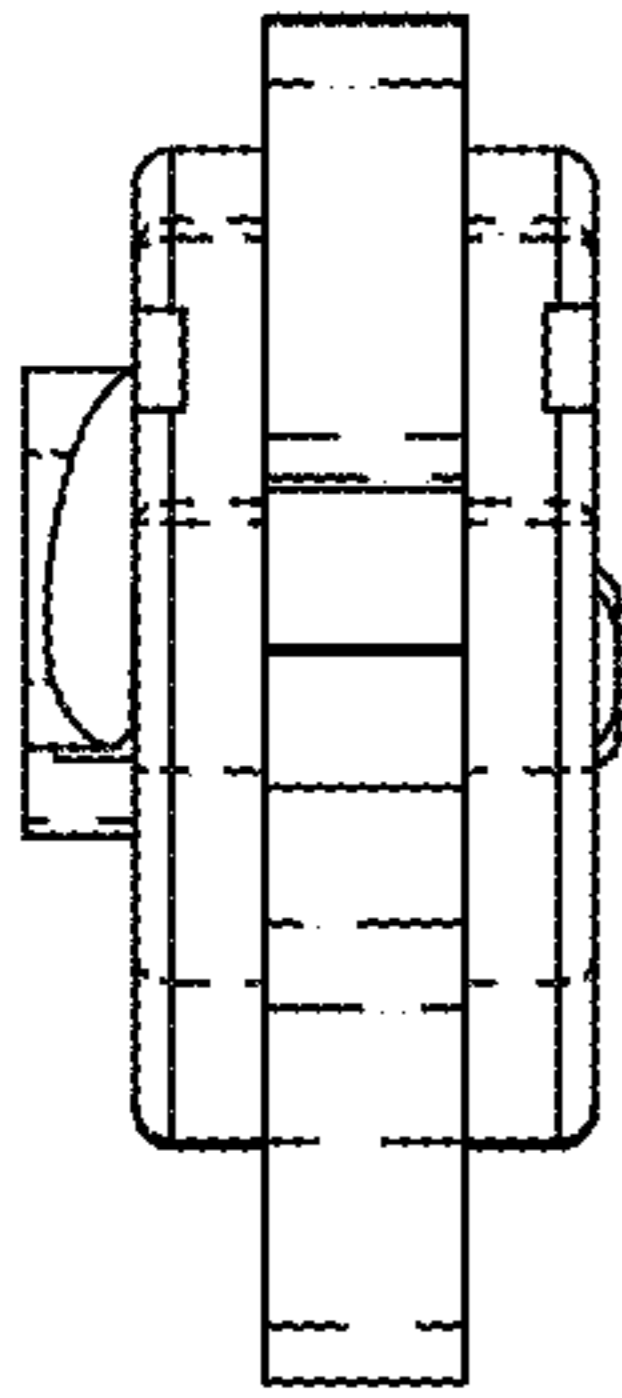


FIG. 14

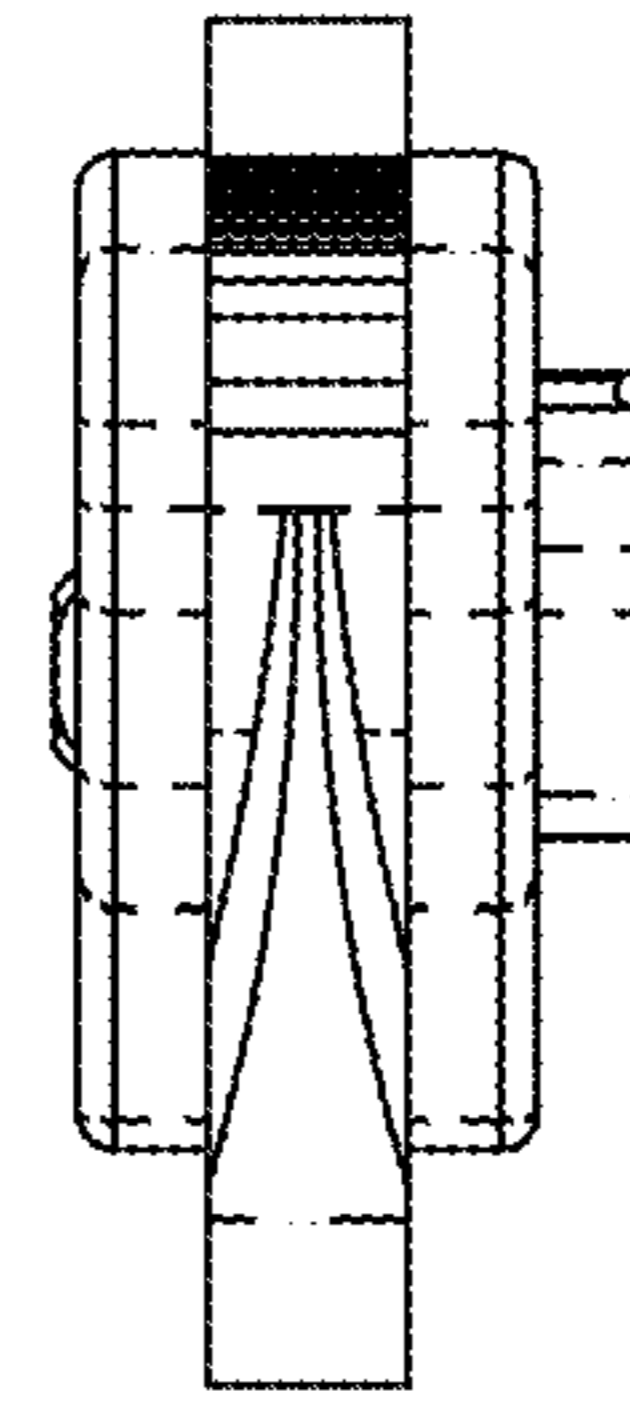


FIG 15

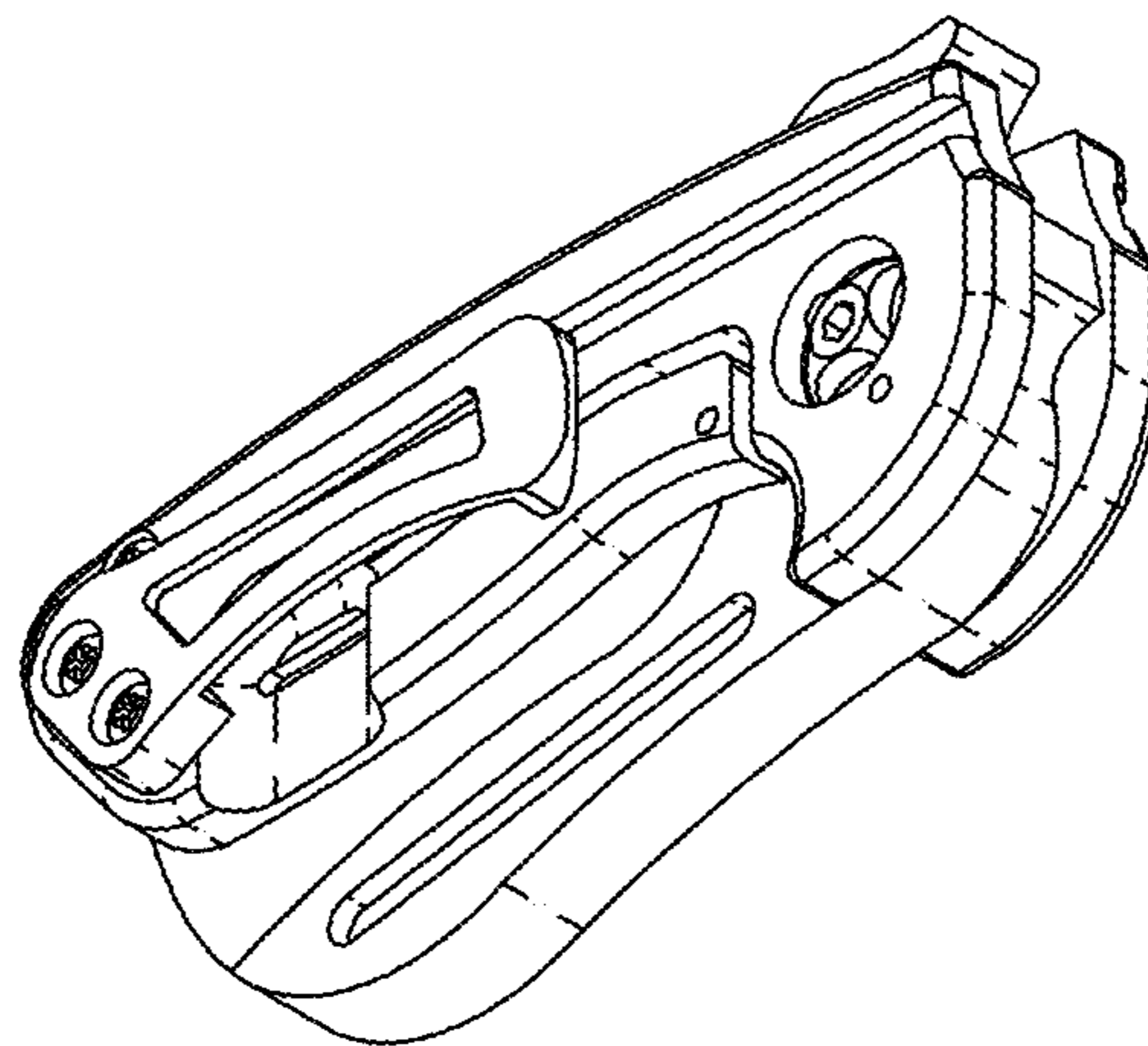


FIG. 16