



US00D811847S

(12) **United States Design Patent**
Constantine et al.

(10) **Patent No.:** **US D811,847 S**
(45) **Date of Patent:** **** Mar. 6, 2018**

- (54) **KNIFE**
- (71) Applicant: **ACME UNITED CORPORATION**,
Fairfield, CT (US)
- (72) Inventors: **Richard Steven Constantine**, Monroe,
CT (US); **Michael Cioffi**, Fairfield, CT
(US); **Aaron Brookhart**, St. Louis, MO
(US); **Jordan Westerberg**, St. Louis,
MO (US); **Brandon Trostrud**, St.
Louis, MO (US); **Brandon Hefer**, St.
Louis, MO (US)
- (73) Assignee: **ACME UNITED CORPORATION**,
Fairfield, CT (US)
- (**) Term: **15 Years**
- (21) Appl. No.: **29/590,917**
- (22) Filed: **Jan. 13, 2017**
- (51) **LOC (11) Cl.** **08-03**
- (52) **U.S. Cl.**
USPC **D8/98**
- (58) **Field of Classification Search**
USPC D8/14, 98, 99, 100, 105, 107
CPC B26B 3/00; B26B 1/02; B26B 1/04; B26B
1/042; B26B 1/044; B26B 1/046; B26B
1/048; B26B 27/02; B26B 3/06
See application file for complete search history.

- D246,281 S * 11/1977 Ferrara, Jr. D7/649
- D332,383 S * 1/1993 Hagler D8/98
- 5,359,778 A * 11/1994 Seber B26B 3/06
30/294
- D362,485 S * 9/1995 Hall D22/118
- D409,270 S * 5/1999 Balolia D22/118
- D502,526 S * 3/2005 Rae D22/118
- 8,250,767 B1 * 8/2012 Ciccarella B26B 3/08
30/314
- D749,921 S * 2/2016 Sanchez D8/7

* cited by examiner

Primary Examiner — Phillip S Hyder

(74) *Attorney, Agent, or Firm* — Bond Schoeneck &
King, PLLC; George McGuire

(57) **CLAIM**

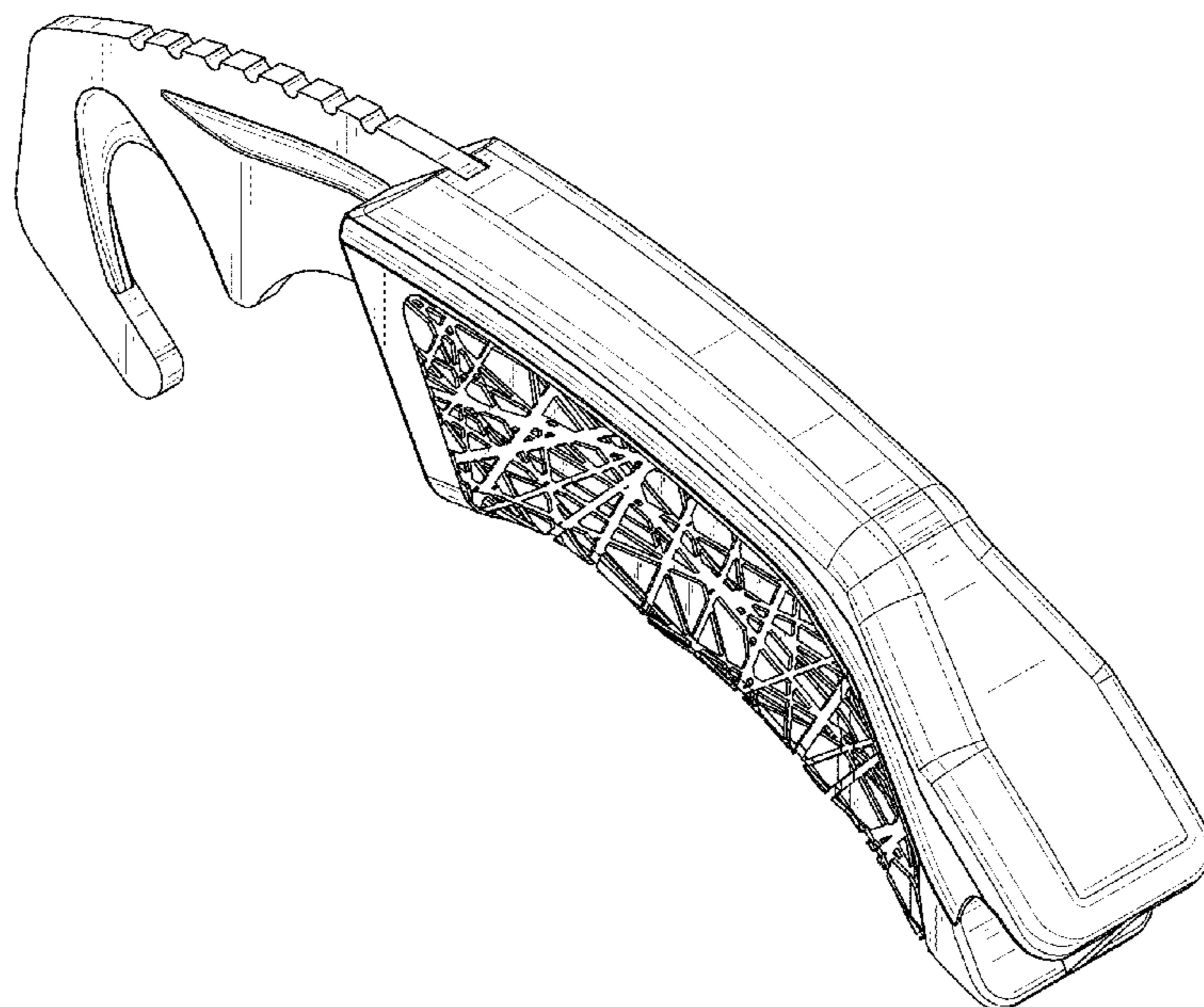
The ornamental design for a knife, as shown and described.

DESCRIPTION

FIG. 1 is a perspective view of a new and ornamental design for a knife;
 FIG. 2 is a first side elevation view thereof;
 FIG. 3 is a second side elevation view thereof;
 FIG. 4 is a front elevation view thereof;
 FIG. 5 is a rear elevation view thereof;
 FIG. 6 is a top plan view thereof; and,
 FIG. 7 is a bottom plan view thereof.

1 Claim, 6 Drawing Sheets

- (56) **References Cited**
U.S. PATENT DOCUMENTS
1,546,975 A * 7/1925 Feller A22C 25/006
30/286
3,445,931 A * 5/1969 Knudson B26B 3/00
30/287



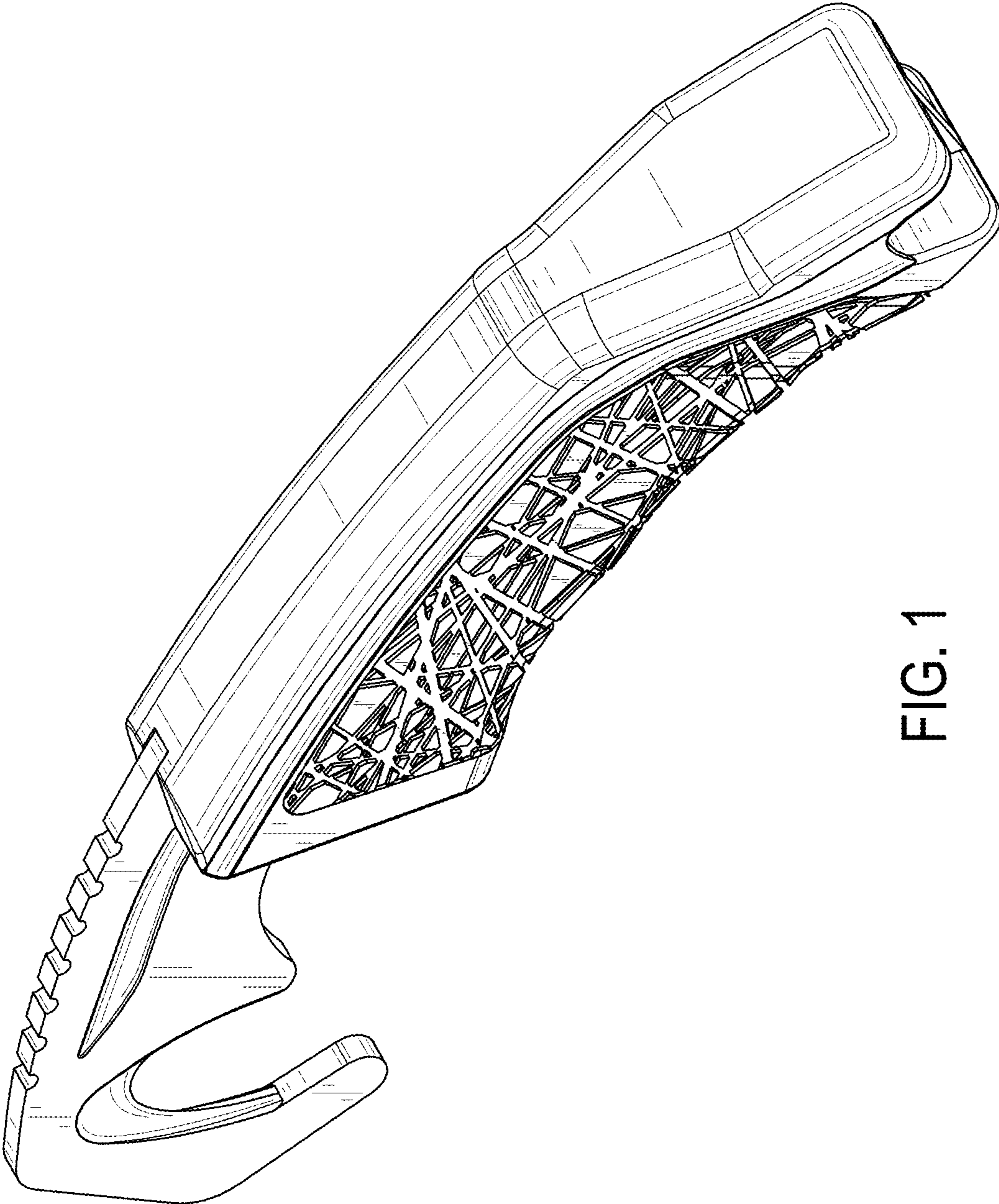


FIG. 1

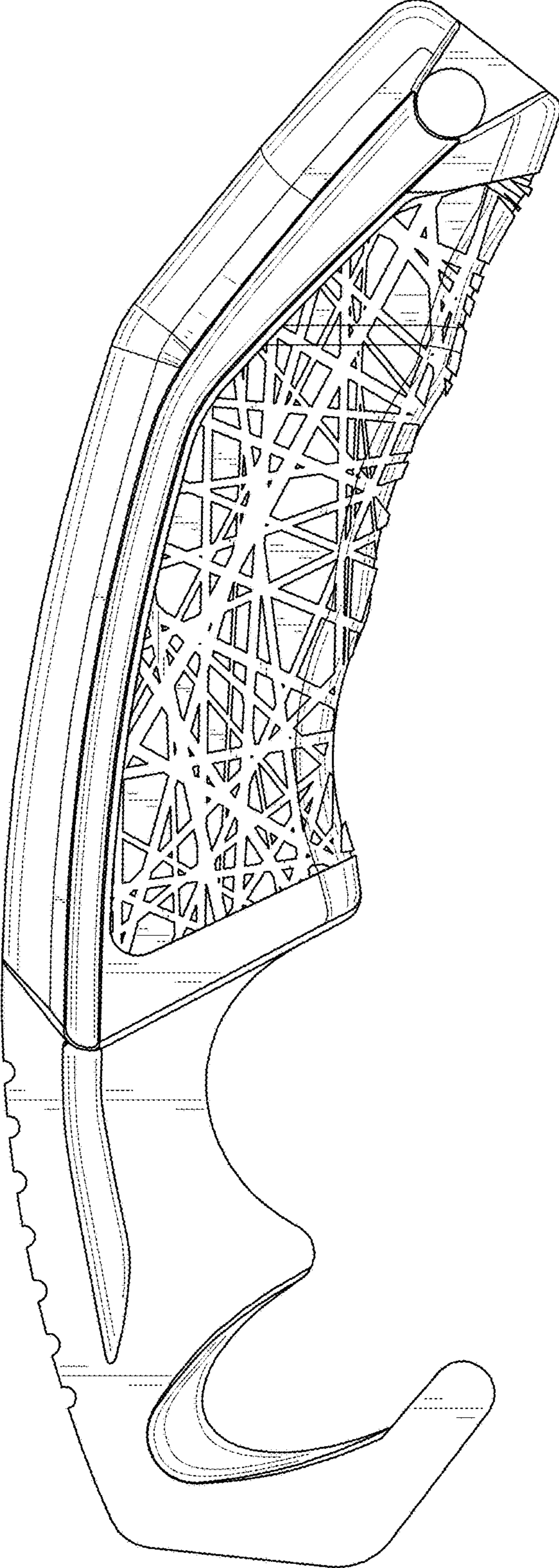


FIG. 2

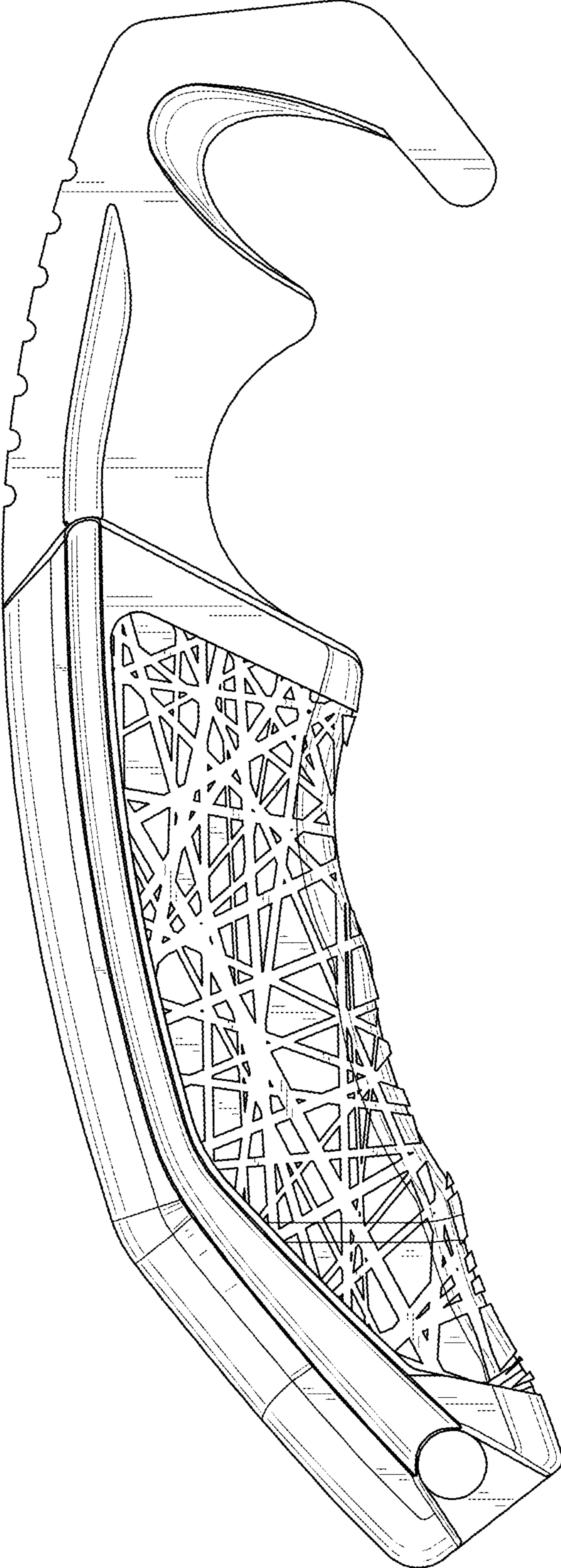


FIG. 3

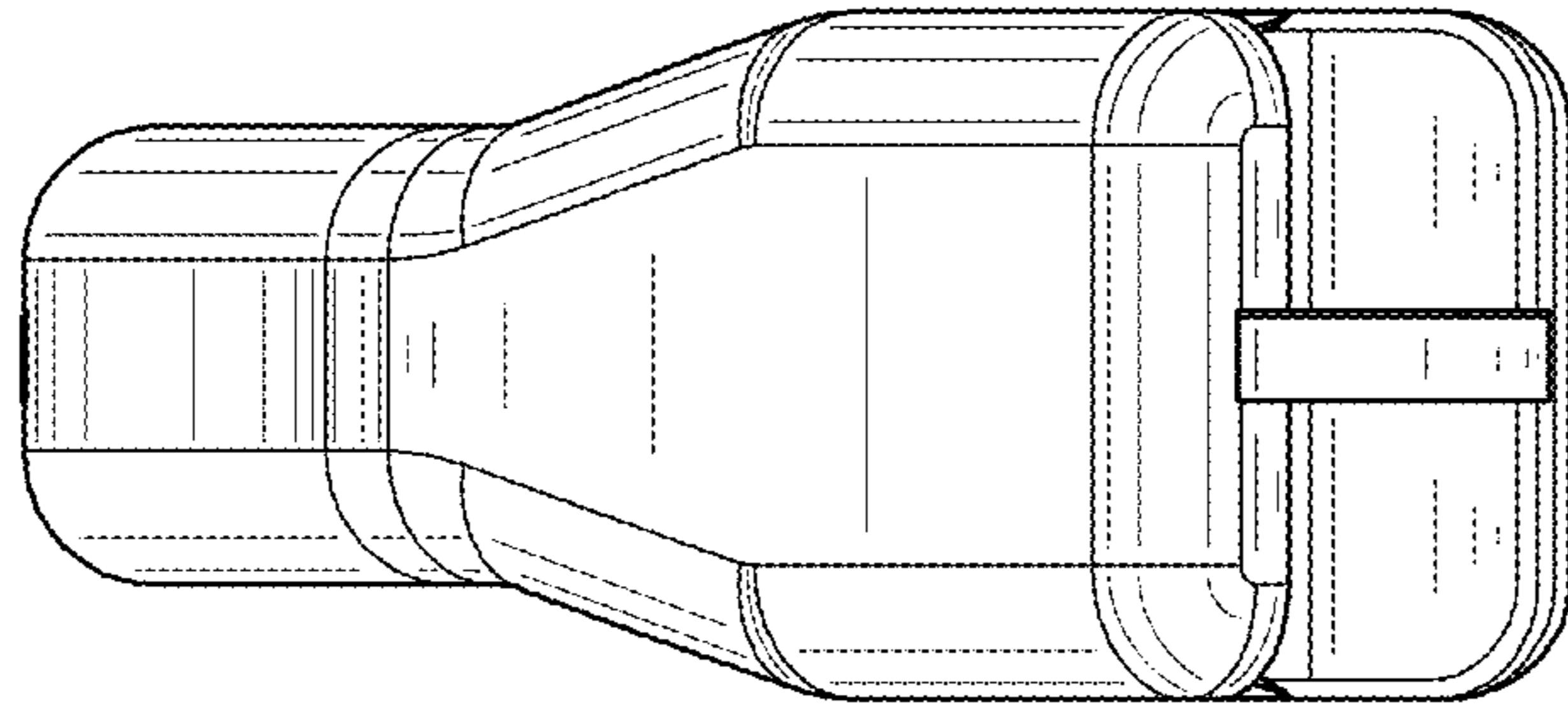


FIG. 5

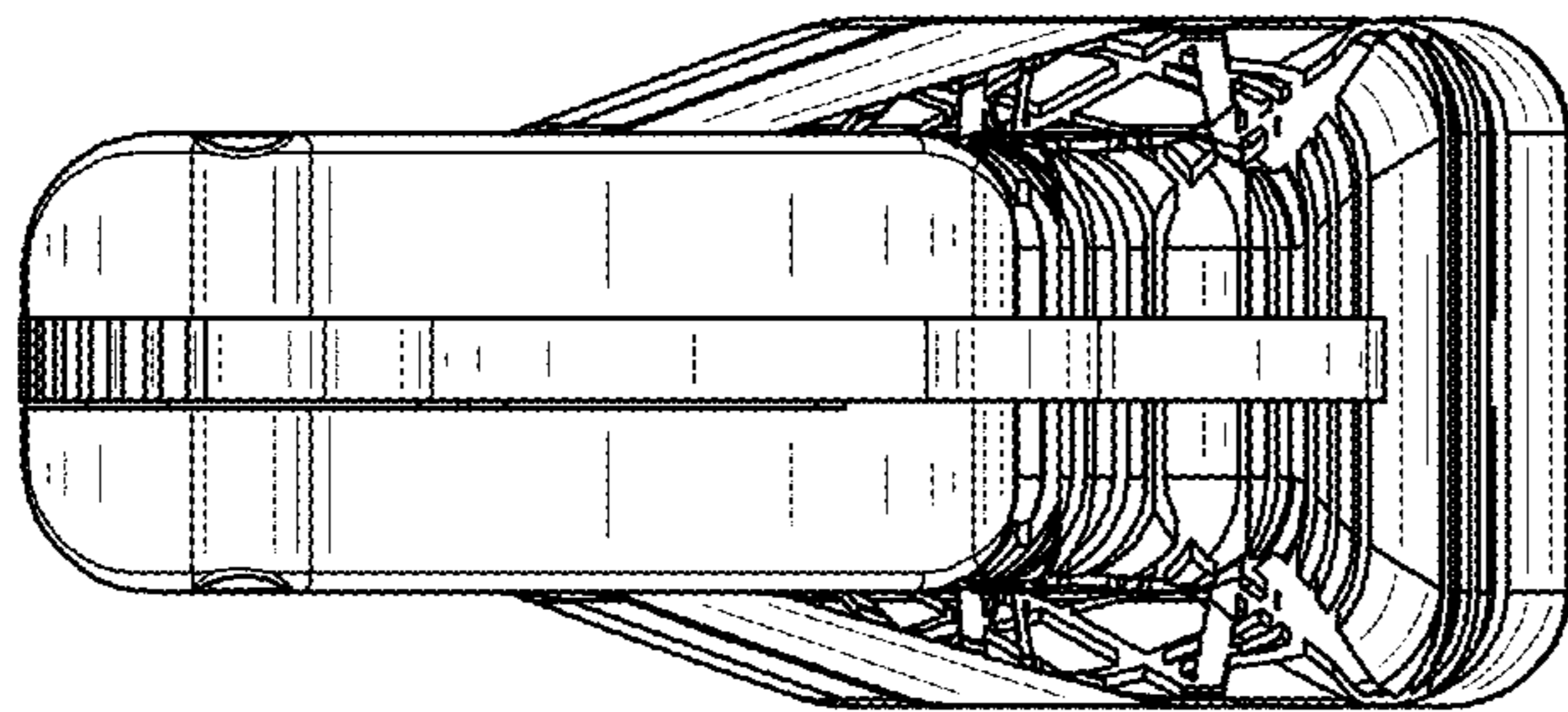


FIG. 4

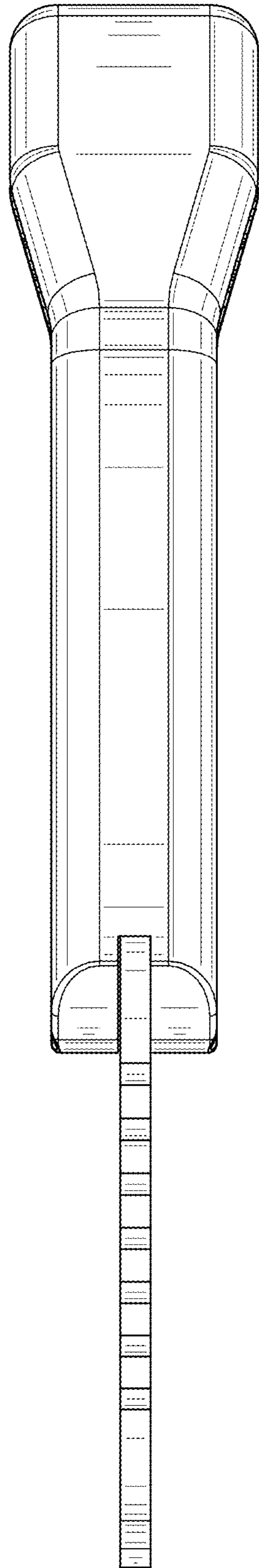


FIG. 6

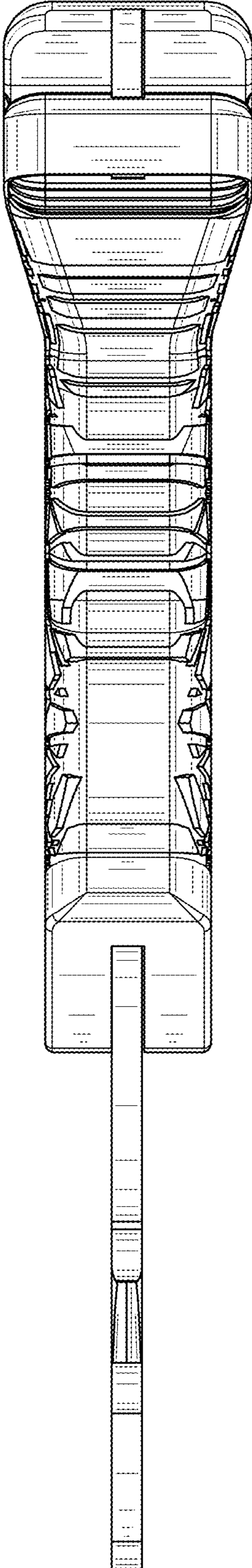


FIG. 7