



US00D811846S

(12) **United States Design Patent**
Johnson et al.

(10) **Patent No.:** **US D811,846 S**
(45) **Date of Patent:** **** Mar. 6, 2018**

- (54) **MULTI-FUNCTION TOOL**
- (71) Applicant: **EZE-LAP Diamond Products, Inc.**,
Carson City, NV (US)
- (72) Inventors: **Ralph Johnson**, Minden, NV (US);
Matt Fisher, Reno, NV (US)
- (73) Assignee: **EZE-LAP Diamond Products, Inc.**,
Carson City, NV (US)

D593,392	S	*	6/2009	Domonoske	D8/98
D595,103	S	*	6/2009	Goodrich	D8/99
D637,883	S	*	5/2011	Yu Chen	D8/98
8,221,199	B2	*	7/2012	Smith	B24B 3/54 451/461
D681,416	S	*	5/2013	Masalin	D8/91
D728,340	S	*	5/2015	Wang	D8/99
9,039,494	B1	*	5/2015	Dovel	B24D 15/08 451/349
D731,278	S	*	6/2015	Cavanaugh	D8/105
D744,803	S	*	12/2015	Johnson	D8/93
D744,804	S	*	12/2015	Johnson	D8/93
D751,874	S	*	3/2016	Hills	D8/105

(**) Term: **15 Years**

(21) Appl. No.: **29/585,170**

(22) Filed: **Nov. 21, 2016**

Related U.S. Application Data

- (63) Continuation of application No. 29/489,927, filed on
May 5, 2015, now abandoned.
- (51) **LOC (11) Cl.** **08-05**
- (52) **U.S. Cl.**
USPC **D8/93**
- (58) **Field of Classification Search**
USPC D7/395; D8/90-94, 98, 99, 105, 107;
451/349, 461, 486, 552, 555-558; 76/82,
76/88
CPC B24B 3/54; B24B 3/546; B24D 15/065;
B24D 15/08; B24D 15/081; B24D 15/082
See application file for complete search history.

(56) **References Cited**

U.S. PATENT DOCUMENTS

1,417,054	A	*	5/1922	Graf	B24D 15/08 76/88
D241,504	S	*	9/1976	Krushe et al.	D8/91
D276,886	S	*	12/1984	Carter	D8/91
4,502,254	A	*	3/1985	Carter	B24D 15/081 451/555
5,163,251	A	*	11/1992	Lee	B24D 15/081 451/555

* cited by examiner

Primary Examiner — Philip S Hyder
Assistant Examiner — Roselynn Cody
(74) *Attorney, Agent, or Firm* — Holland & Hart LLP

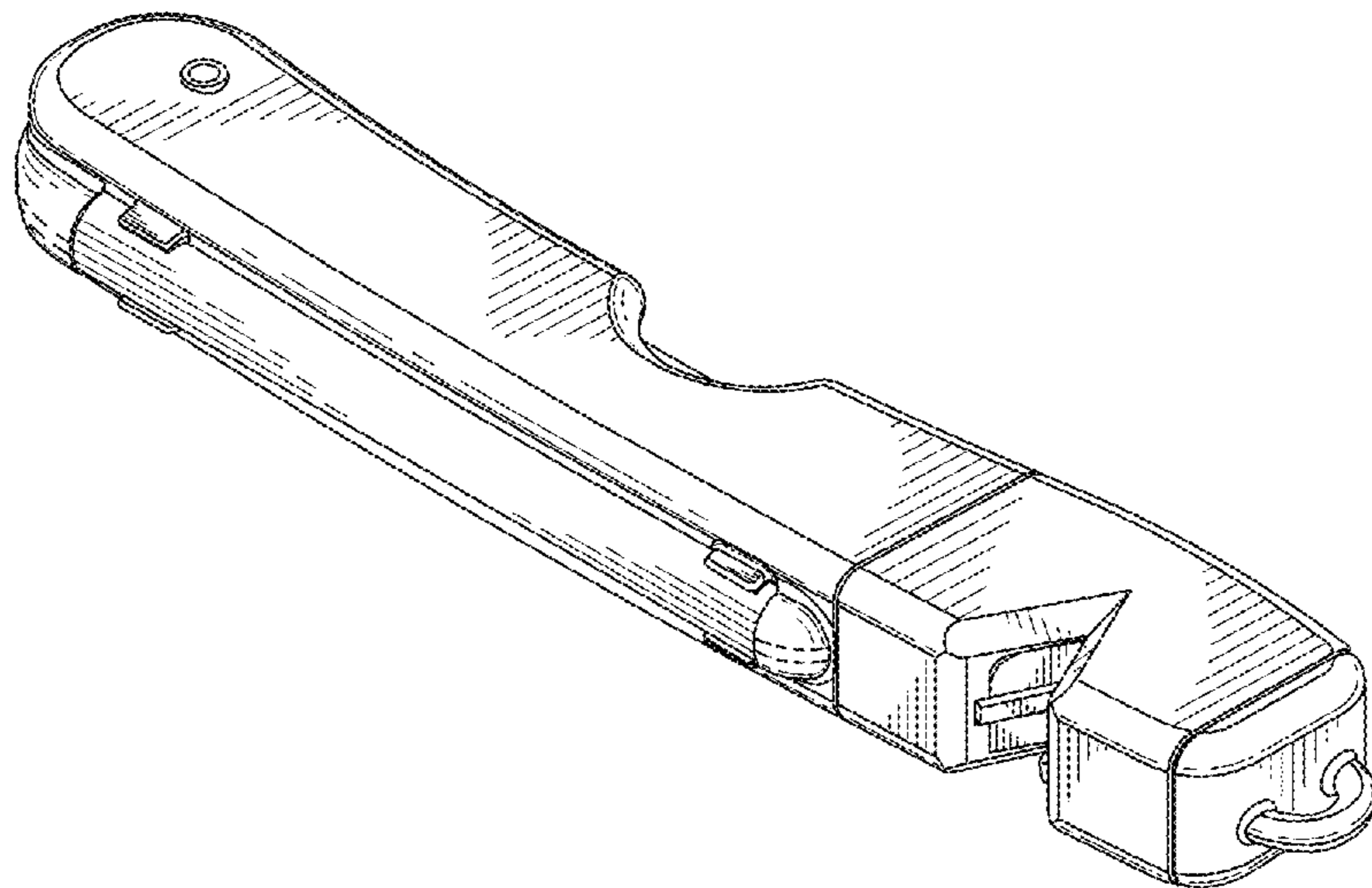
(57) **CLAIM**

The ornamental design for a multi-function tool, as shown and described.

DESCRIPTION

FIG. 1 is a perspective view of the multi-function tool showing our new design;
FIG. 2 is a left side view of the multi-function tool shown in FIG. 1;
FIG. 3 is a right side view of the multi-function tool shown in FIG. 1;
FIG. 4 is a top view of the multi-function tool shown in FIG. 1;
FIG. 5 is a bottom view of the multi-function tool shown in FIG. 1;
FIG. 6 is a front side view of the multi-function tool shown in FIG. 1; and,
FIG. 7 is a back side view of the multi-function tool shown in FIG. 1.
The broken lines in the figures are directed to features that form no part of the claim.

1 Claim, 3 Drawing Sheets



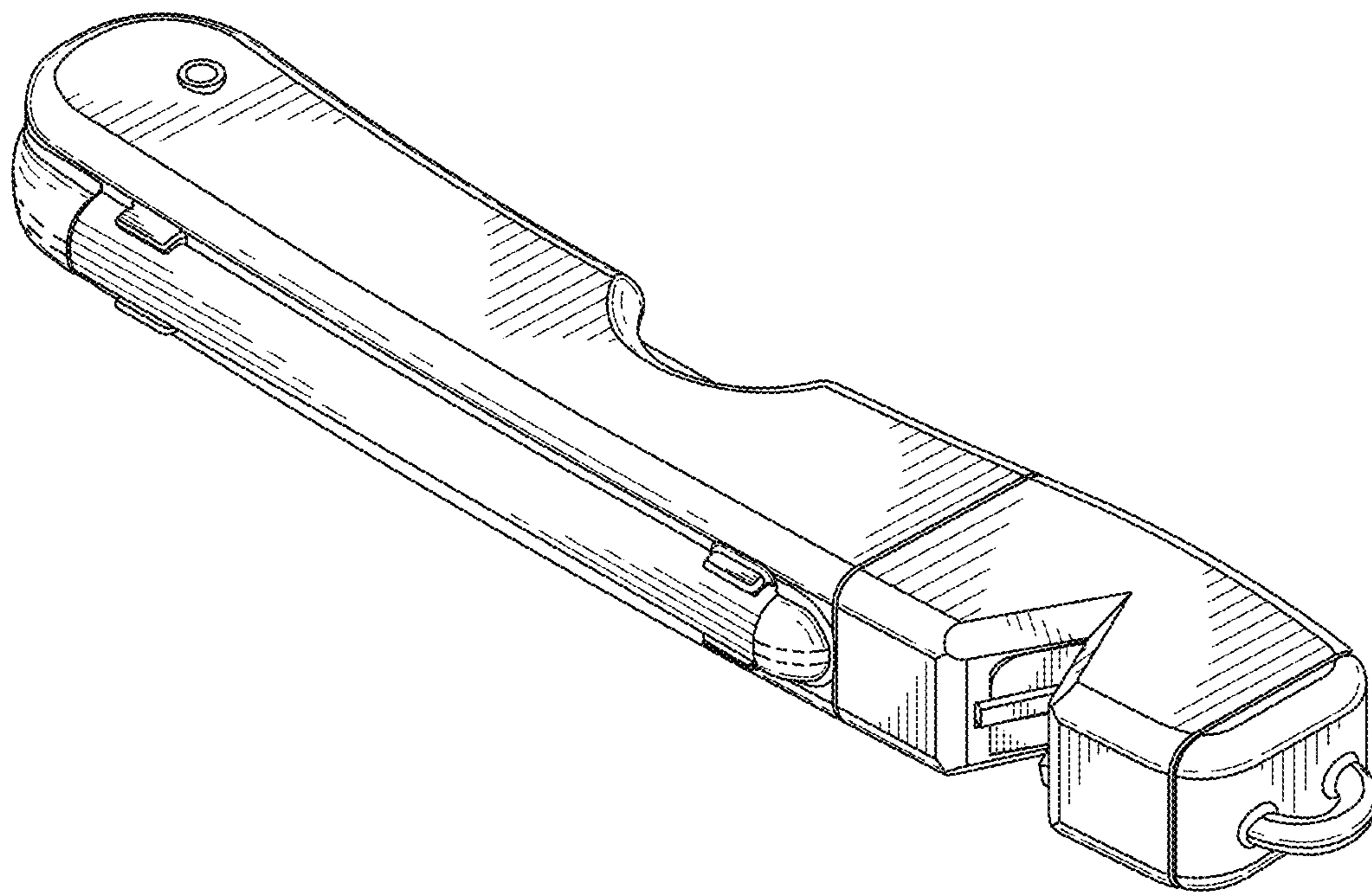


FIG. 1

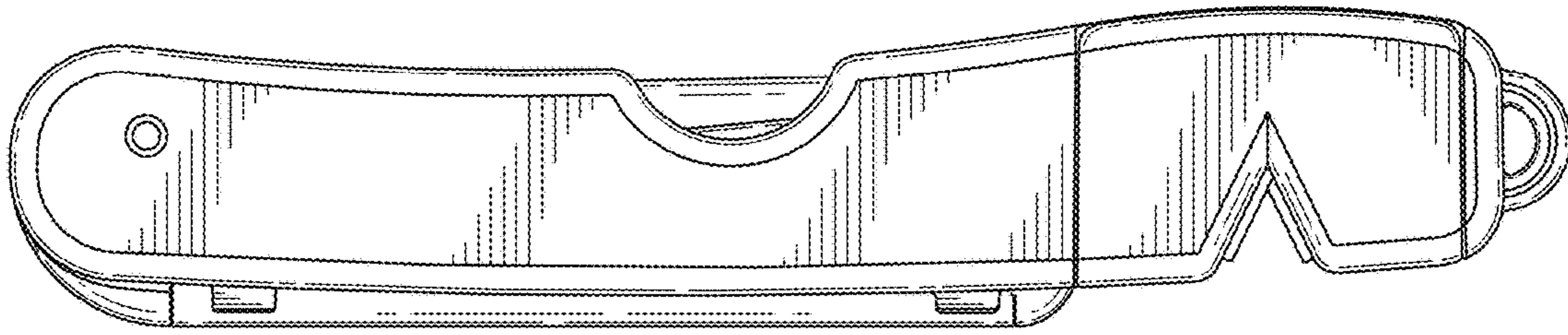


FIG. 2

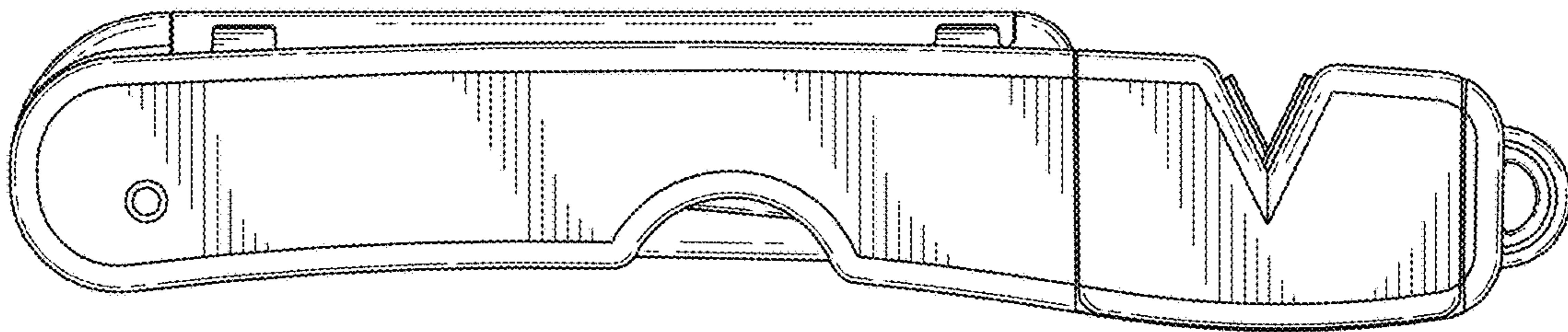


FIG. 3

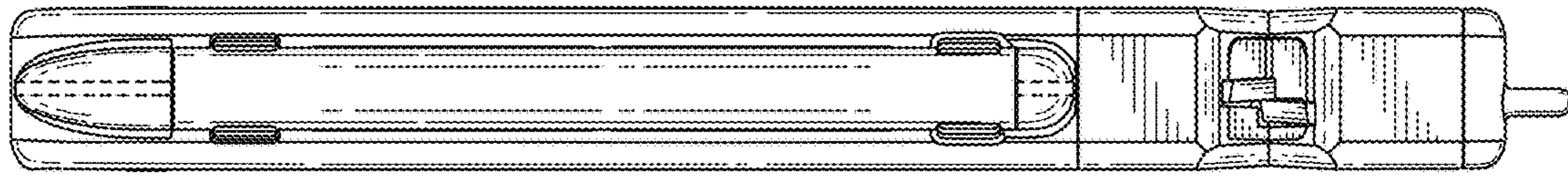


FIG. 4

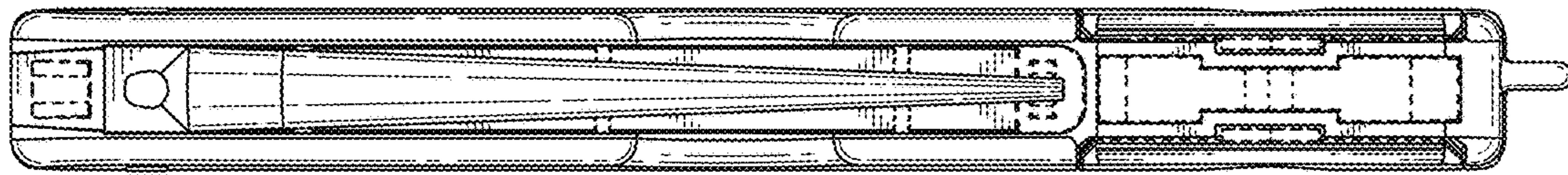


FIG. 5

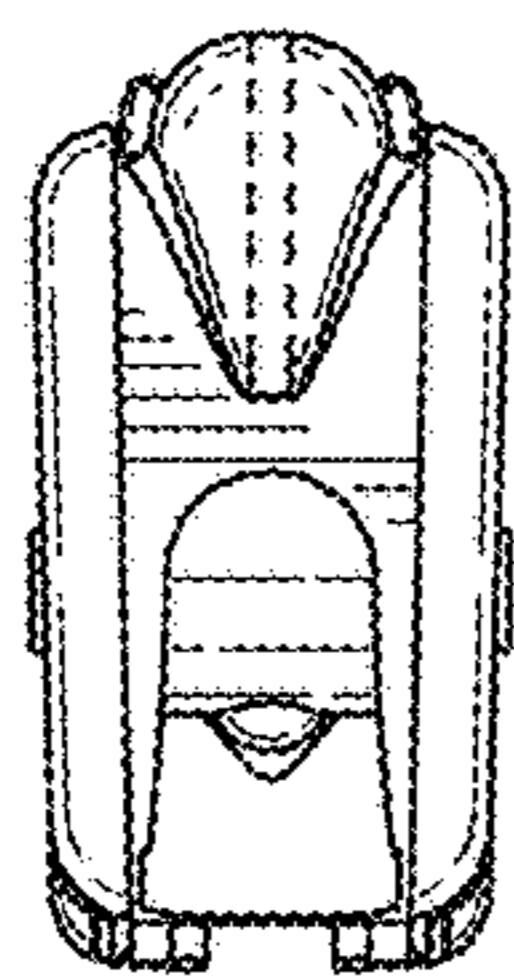


FIG. 6

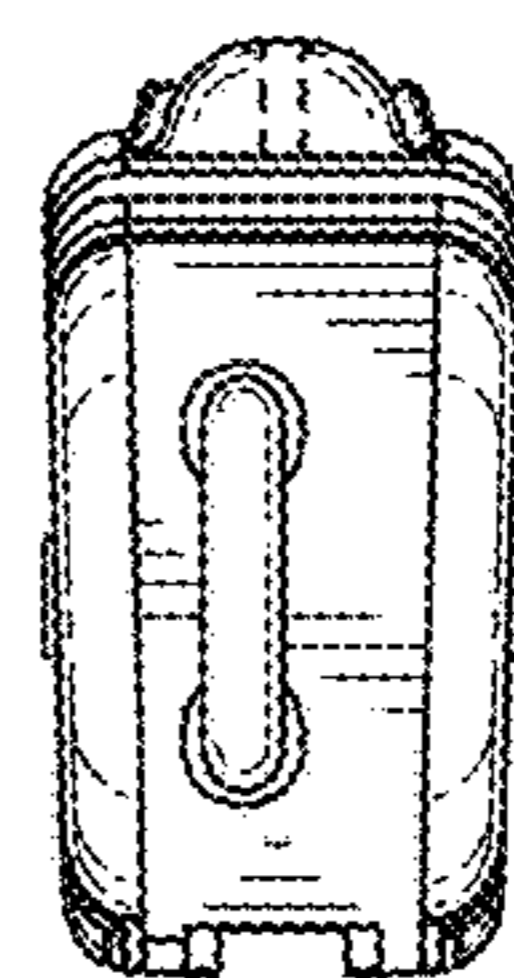


FIG. 7