



US00D811844S

(12) **United States Design Patent**
Gordon

(10) **Patent No.:** **US D811,844 S**
(45) **Date of Patent:** **** Mar. 6, 2018**

(54) **CANTILEVERED STOP PIN VISE STOP**
(71) Applicant: **Sean Edward Gordon**, Tucson, AZ
(US)
(72) Inventor: **Sean Edward Gordon**, Tucson, AZ
(US)

(**) Term: **14 Years**

(21) Appl. No.: **29/515,783**

(22) Filed: **Jan. 27, 2015**

Related U.S. Application Data

(63) Continuation of application No. 13/447,162, filed on Apr. 13, 2012, now abandoned.

(51) **LOC (11) Cl.** **08-05**

(52) **U.S. Cl.**
USPC **D8/74**

(58) **Field of Classification Search**
USPC D8/71-74, 394-399, 59; 248/63, 72, 248/74.1, 689, 124.2; 81/487, 385, 386, 81/388-390; 269/3, 4, 6, 143, 165, 240, 269/243, 246-249, 254 R, 147-149; 29/256, 257, 276; 408/103, 104-109
CPC B25B 1/00; B25B 5/00
See application file for complete search history.

(56) **References Cited**

U.S. PATENT DOCUMENTS

D255,643 S * 7/1980 Speiser D8/74
D282,143 S * 1/1986 Tarquinio D8/74
4,579,485 A * 4/1986 Connor B23B 47/287
408/115 R
D287,457 S * 12/1986 Listes D8/74
5,308,199 A * 5/1994 Juang B23B 47/287
408/103
5,791,640 A * 8/1998 Webster B25B 1/103
269/246

D398,827 S * 9/1998 Vrillakas D8/71
5,860,197 A * 1/1999 Fox B25B 1/103
24/455
D417,599 S * 12/1999 Wolfe D8/74
D421,208 S * 2/2000 Lavigne D8/74
D422,868 S * 4/2000 Lavigne D8/74
6,045,126 A * 4/2000 Brzezinski B25B 1/2452
269/240
D435,772 S * 1/2001 Lavigne D8/74
D437,200 S * 2/2001 Lavigne D8/74
6,340,154 B1 * 1/2002 Young B25B 5/068
254/215

(Continued)

Primary Examiner — David G Muller

(74) *Attorney, Agent, or Firm* — Lyman Moulton, Esq.

(57) **CLAIM**

The ornamental design for a cantilevered stop pin vise stop, as shown and described.

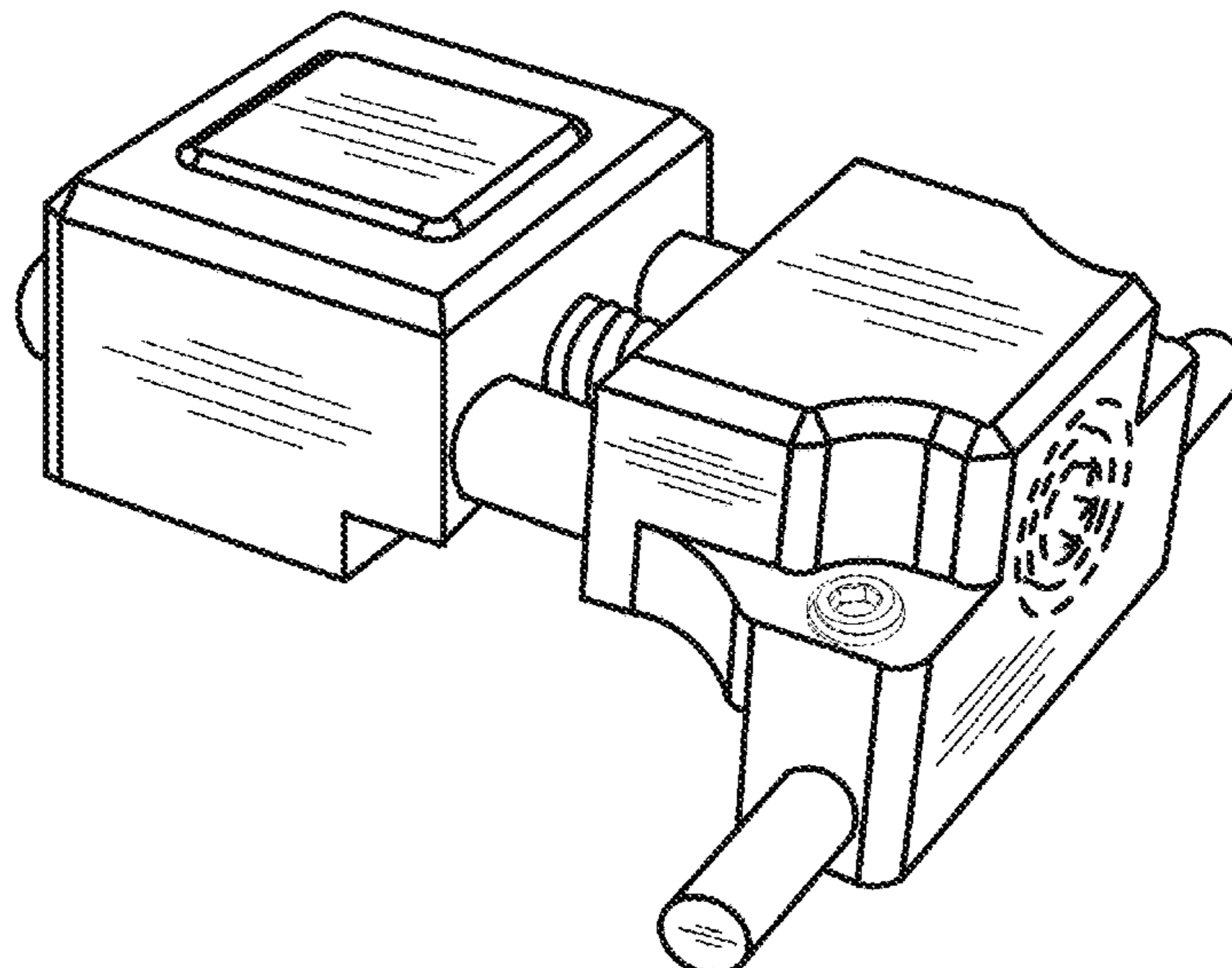
DESCRIPTION

This CPA (continued prosecution application) claims the benefit of the priority date of pending and earlier filed U.S. Design patent application Ser. No. 29/515,783 filed Jan. 27, 2015. "Where the conditions of 35 U.S.C. 120 are met, a design application may be considered a continuing application of an earlier utility application." See MPEP Section 1504.20.

FIG. 1 is a top left perspective view of a cantilevered stop pin vise stop showing my new design;
FIG. 2 is a left side elevational view thereof, a right side elevational view being identical;
FIG. 3 is a top plan view thereof;
FIG. 4 is a bottom plan view thereof;
FIG. 5 is a front elevational view thereof; and,
FIG. 6 is a rear elevational view thereof.

The broken line showing of parts of the drawings is included for the purpose of illustrating use and environment and forms no part of the claimed design.

1 Claim, 4 Drawing Sheets



(56)

References Cited

U.S. PATENT DOCUMENTS

6,361,034 B1 * 3/2002 Wolfe B25B 1/2463
269/247
D484,399 S * 12/2003 Arthur D8/394
D484,766 S * 1/2004 Slack D8/72
D595,102 S * 6/2009 Francis D8/74
D640,521 S * 6/2011 Tschida D8/74
D646,543 S * 10/2011 Galle D8/74
D680,843 S * 4/2013 Onello D8/74
D685,827 S * 7/2013 Sun D15/140
D716,627 S * 11/2014 Lin D8/74
D726,519 S * 4/2015 Huang D8/74
D736,585 S * 8/2015 Furey D8/72

* cited by examiner

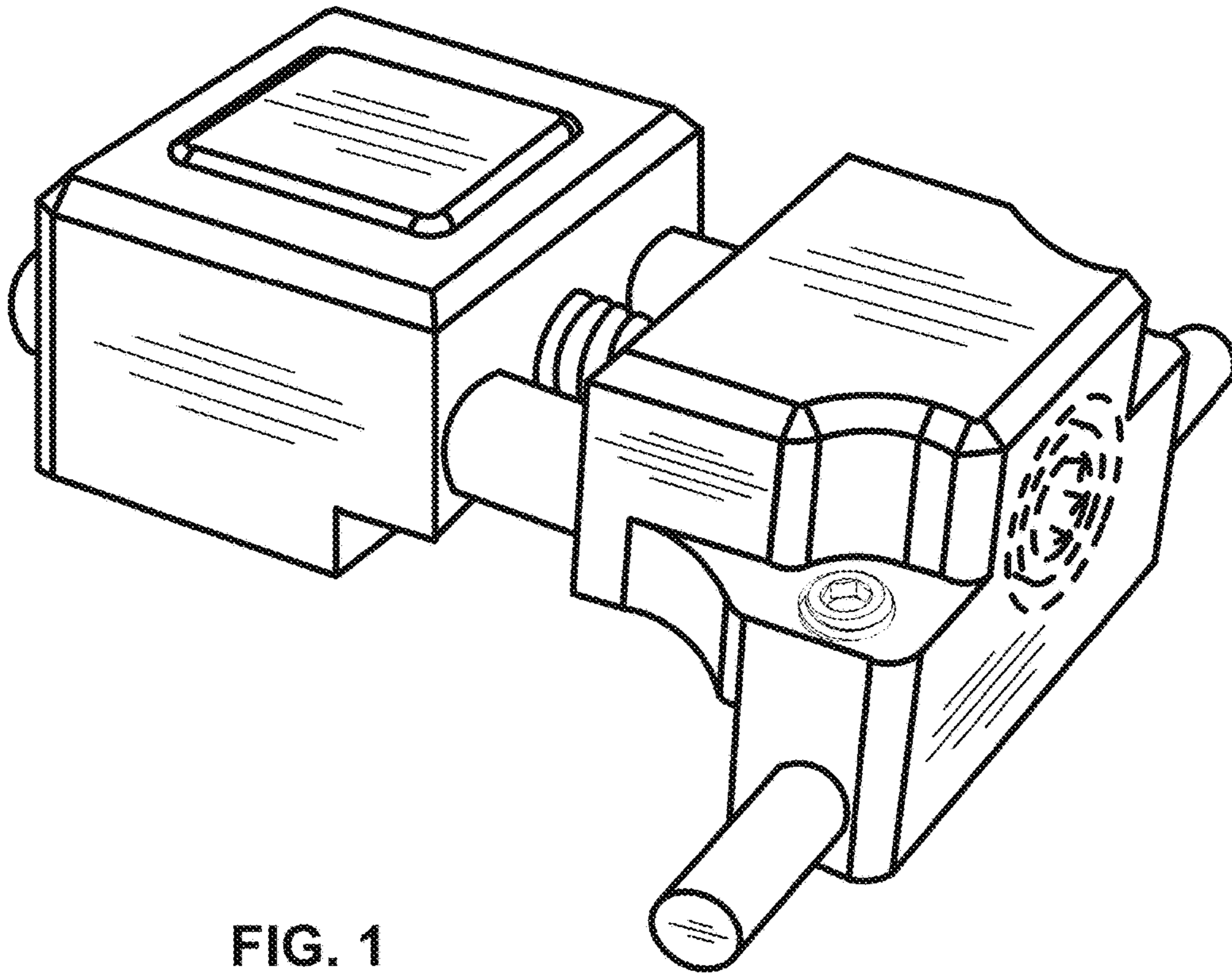


FIG. 1

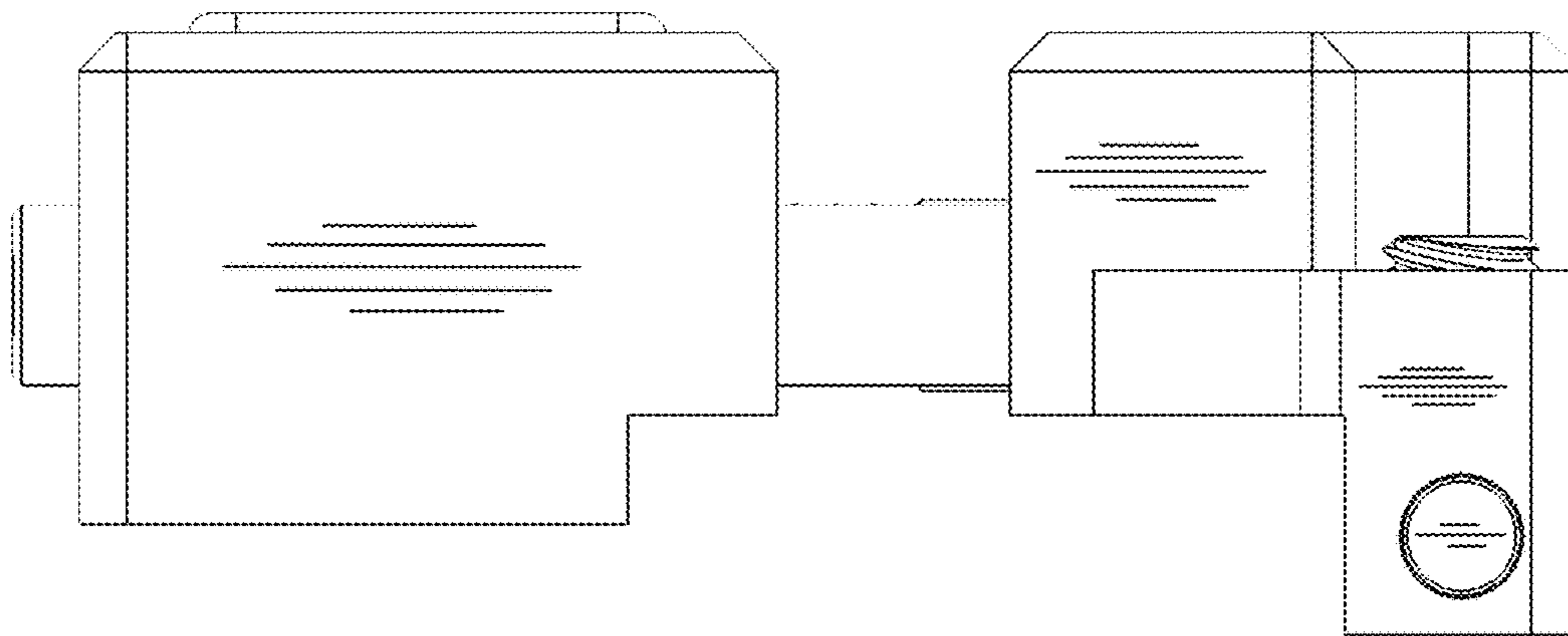


FIG. 2

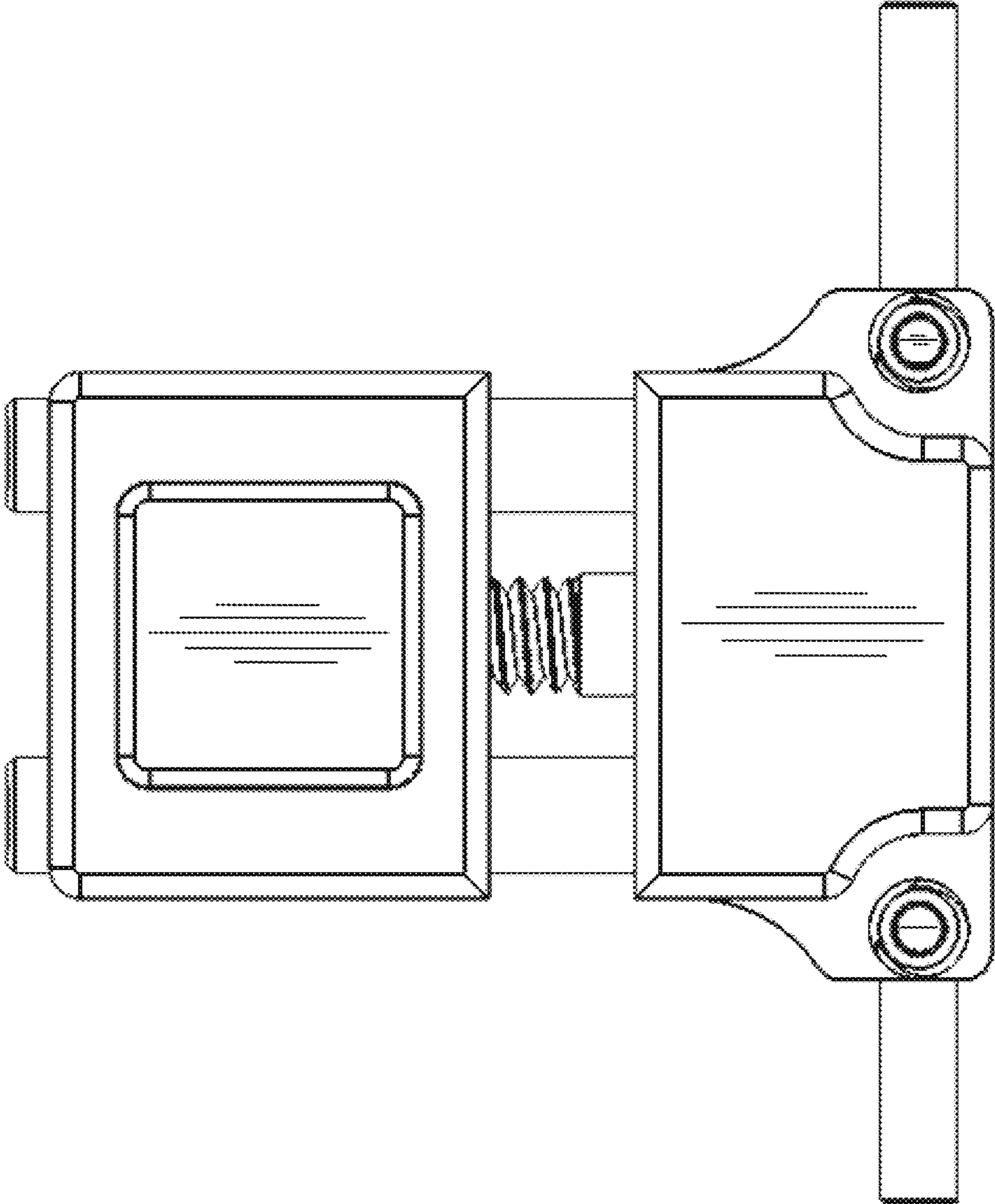


FIG. 3

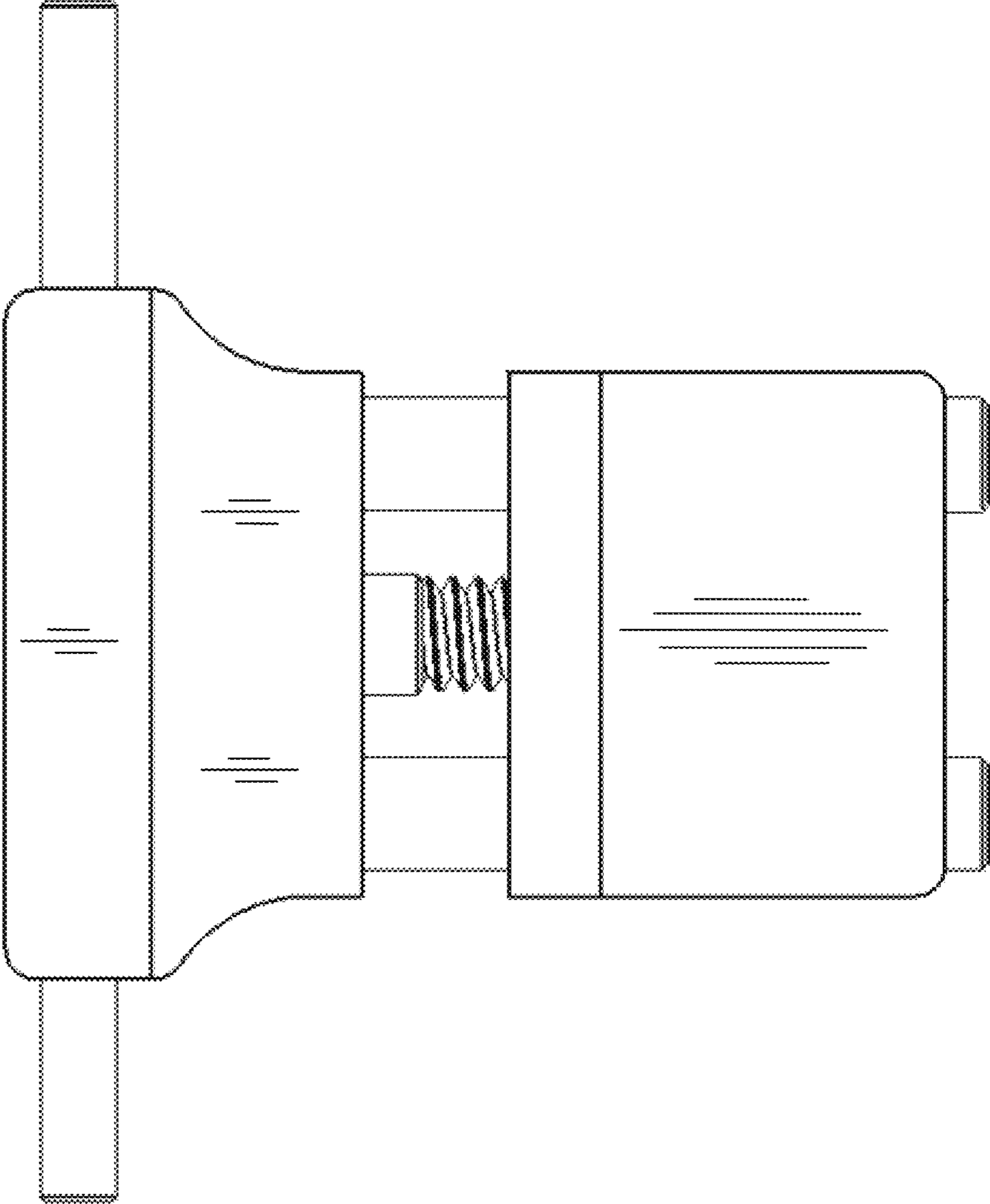


FIG. 4

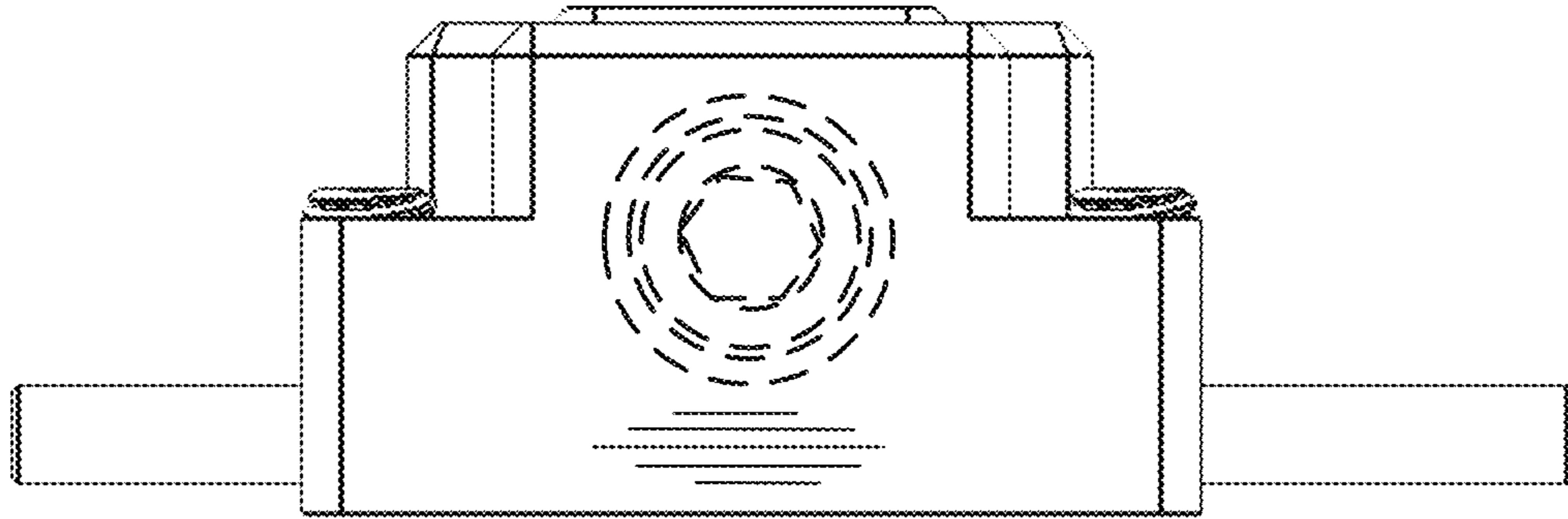


FIG. 5

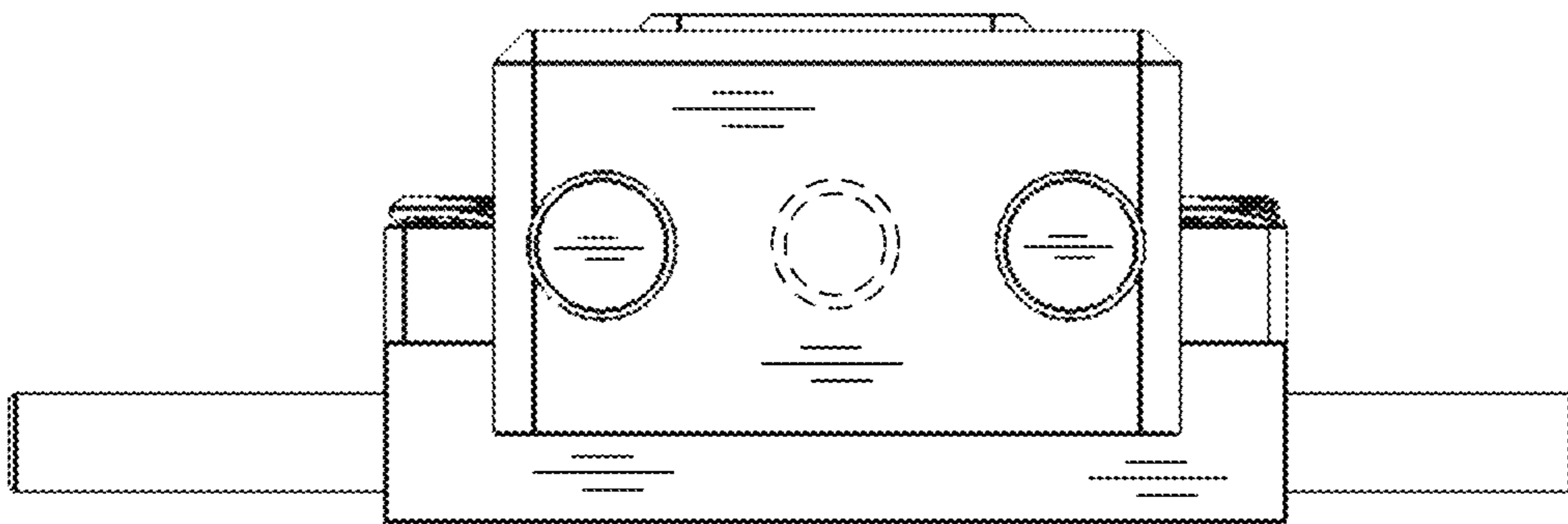


FIG. 6